



US00D851500S

(12) **United States Design Patent** (10) **Patent No.:** **US D851,500 S**
Han (45) **Date of Patent:** **** Jun. 18, 2019**

(54) **COSMETICS CONTAINER**
(71) Applicant: **DTS MG Co., Ltd**, Seoul (KR)
(72) Inventor: **Ki Soo Han**, Seoul (KR)
(73) Assignee: **DTS MG CO., LTD**, Seoul (KR)
(**) Term: **15 Years**
(21) Appl. No.: **29/627,649**
(22) Filed: **Nov. 29, 2017**
(51) **LOC (11) Cl.** **09-01**
(52) **U.S. Cl.**
USPC **D9/726**
(58) **Field of Classification Search**
USPC D9/442, 503, 695-699, 702-714,
D9/723-729; D24/199; D28/7;
132/317, 318, 320; 222/95, 207, 212,
222/335
CPC A45D 34/00; A45D 40/00; B65D 81/3272
See application file for complete search history.

(56) **References Cited**
U.S. PATENT DOCUMENTS
D297,114 S * 8/1988 Holmstadt D32/45
6,112,942 A * 9/2000 Deacon B65D 83/0409
221/155
6,126,352 A * 10/2000 Wiley B05C 17/0205
401/208

D439,700 S * 3/2001 Malmberg D28/7
D631,192 S * 1/2011 Lim D28/7
D654,376 S * 2/2012 Song D9/726
D659,549 S * 5/2012 Fera D28/7
2004/0197130 A1* 10/2004 Major B43M 11/02
401/219

* cited by examiner
Primary Examiner — Derrick E Holland
Assistant Examiner — Janice Patyk
(74) *Attorney, Agent, or Firm* — Lex IP Meister, PLLC

(57) **CLAIM**
The ornamental design for a cosmetics container, as shown and described.

DESCRIPTION
FIG. 1 is a perspective view of a cosmetics container showing my new design;
FIG. 2 is a front elevational view thereof;
FIG. 3 is a rear elevational view thereof;
FIG. 4 is a left side elevational view thereof;
FIG. 5 is a right side elevational view thereof;
FIG. 6 is a top plan view thereof, shown in enlarged scale;
FIG. 7 is a bottom plan view thereof, shown in enlarged scale; and,
FIG. 8 is an exploded perspective view thereof.
The dot-dash broken lines of FIG. 8 is included to show relationship of the top to the container only and forms no part of the claimed design.

1 Claim, 8 Drawing Sheets

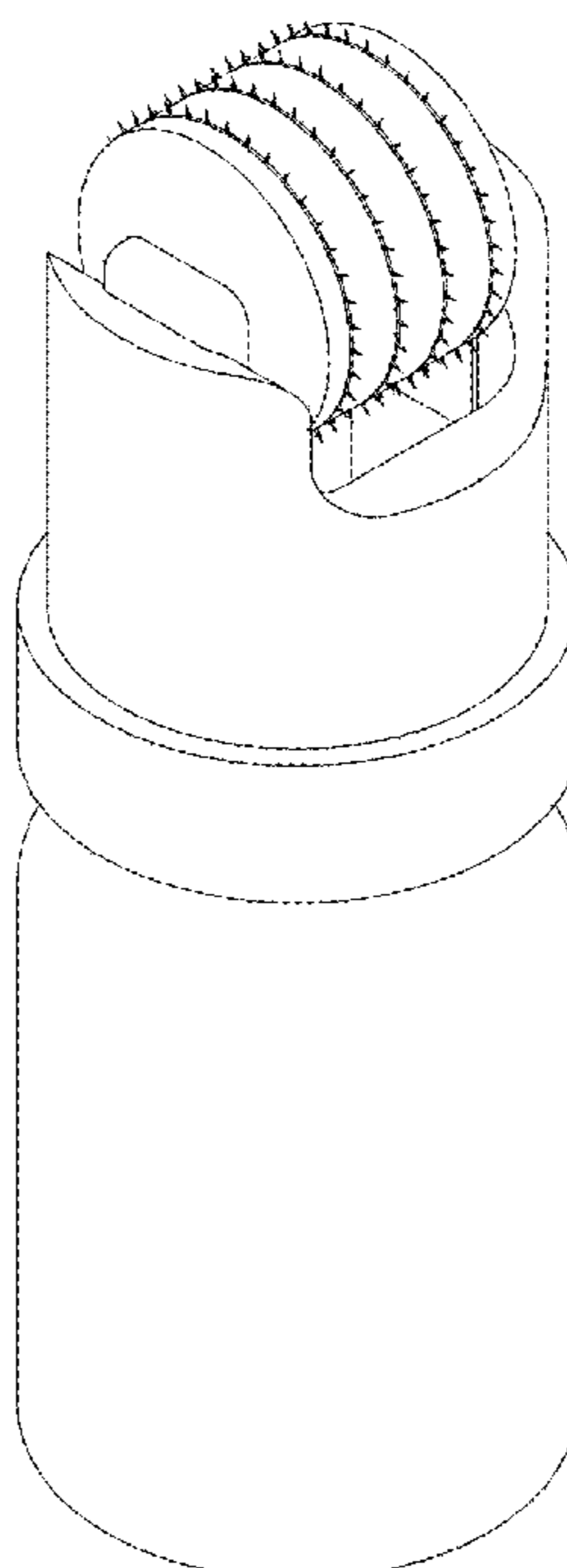


FIG. 1

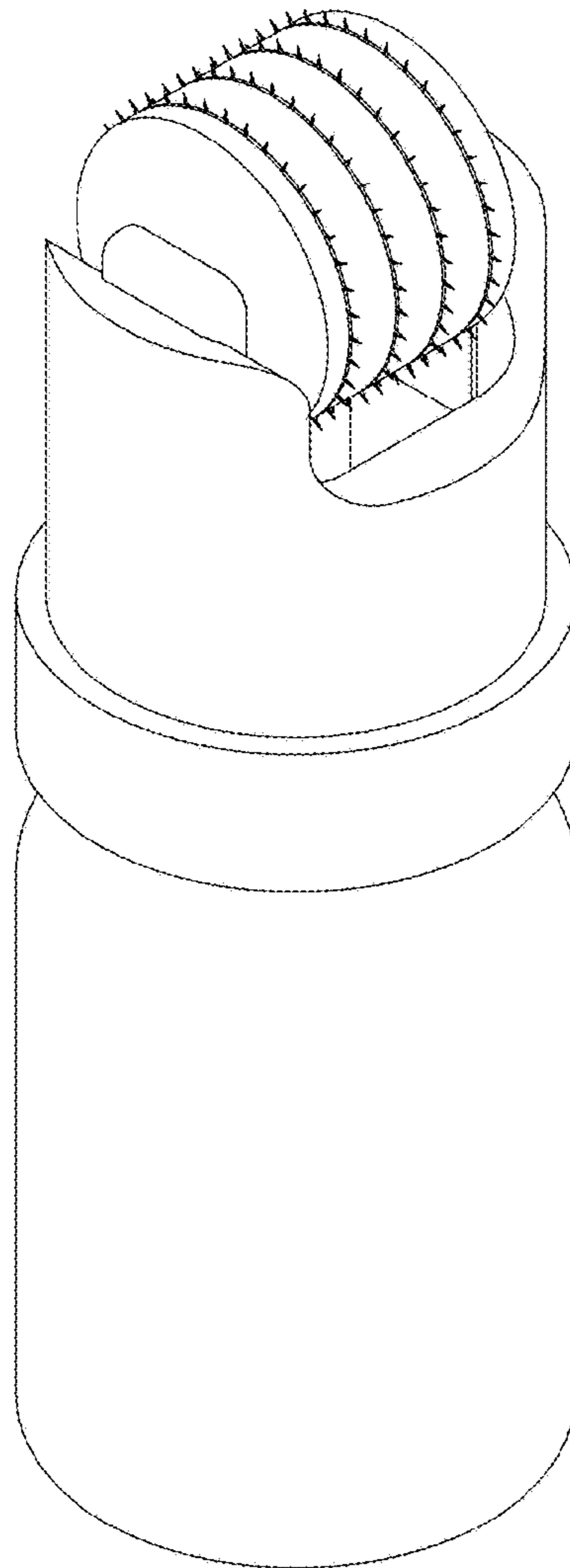


FIG. 2

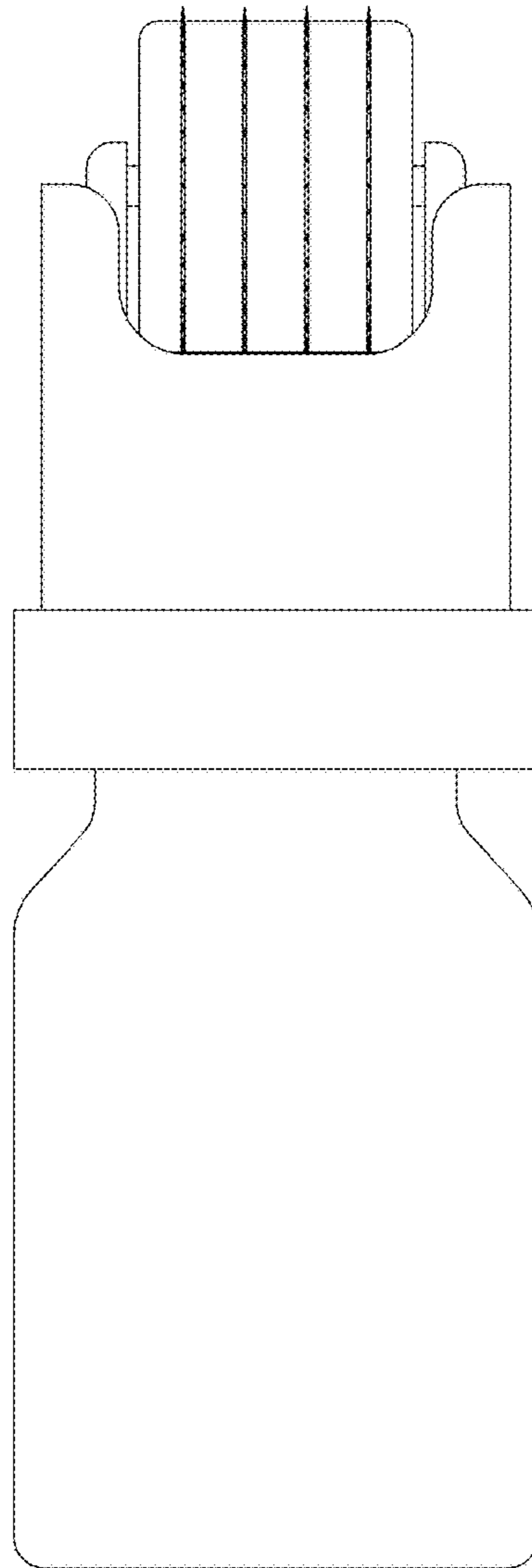


FIG. 3

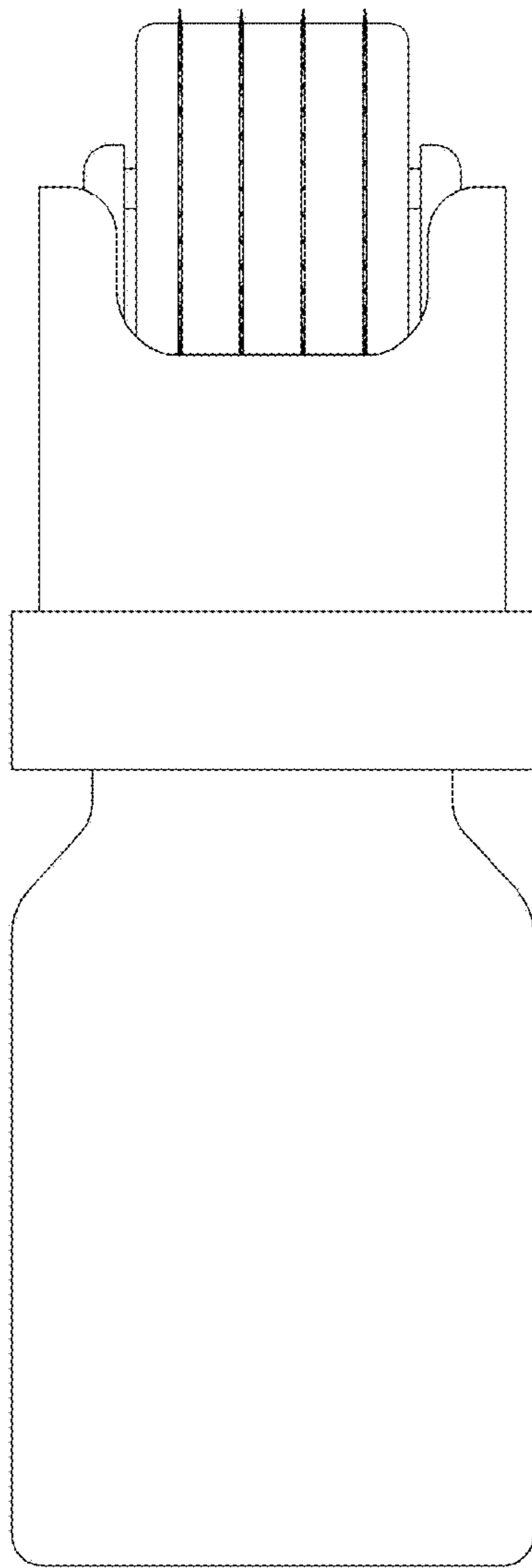


FIG. 4

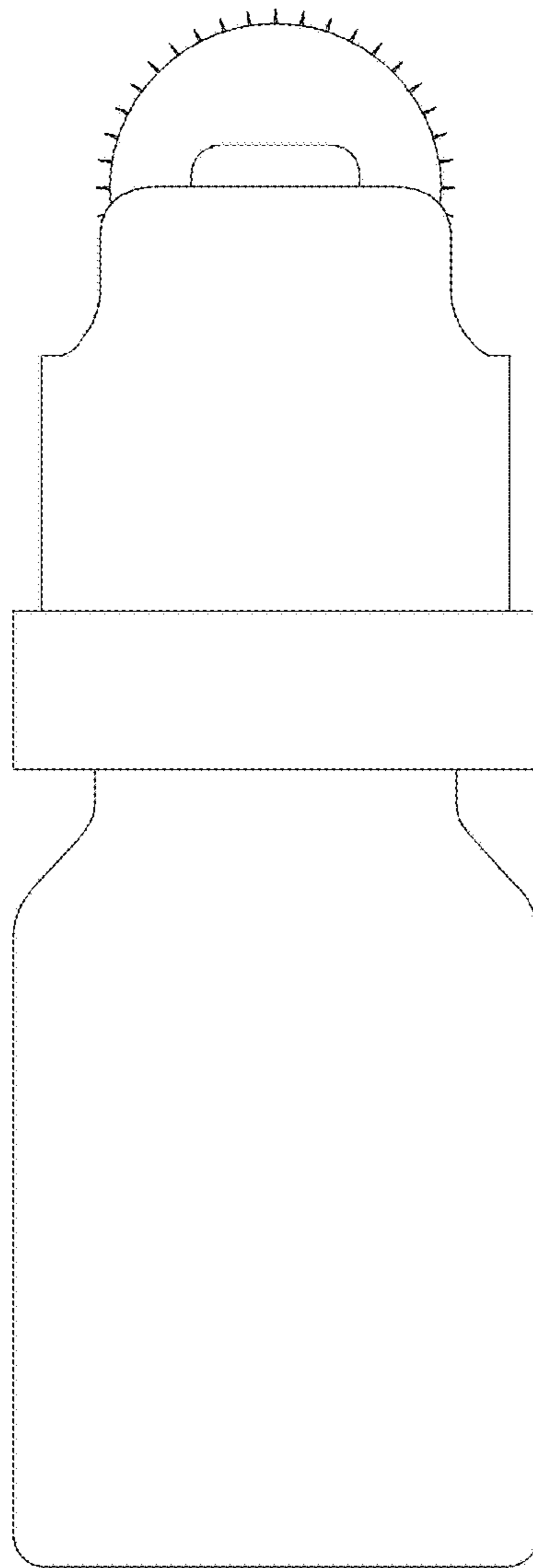


FIG. 5

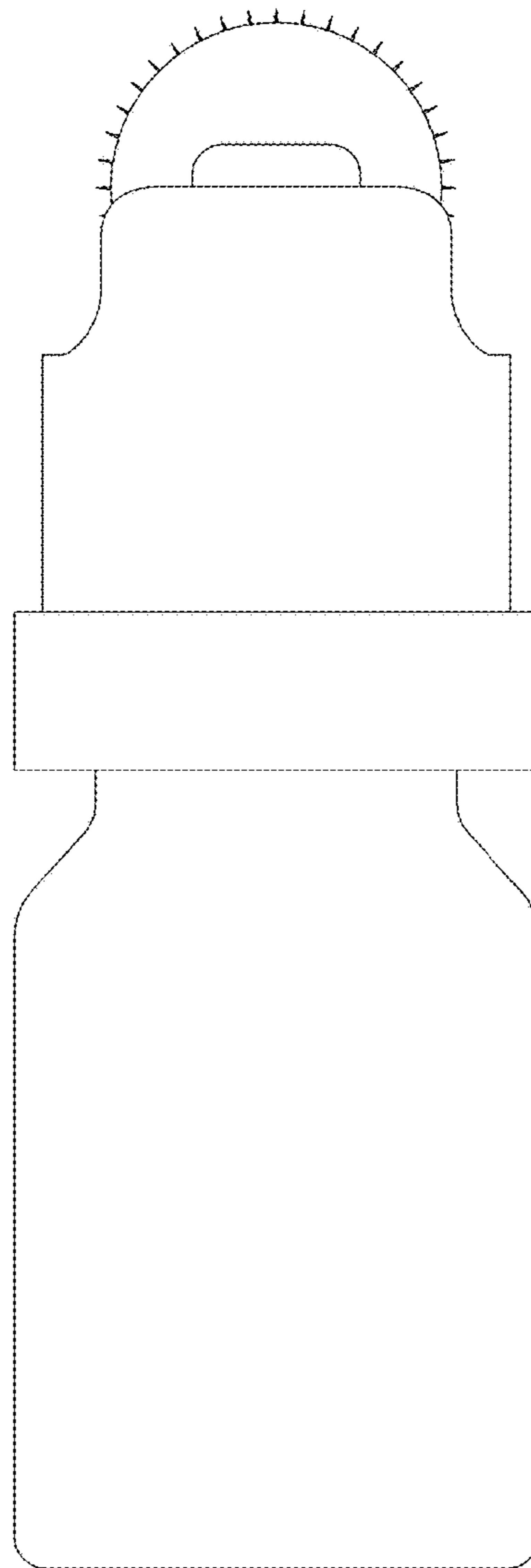


FIG. 6

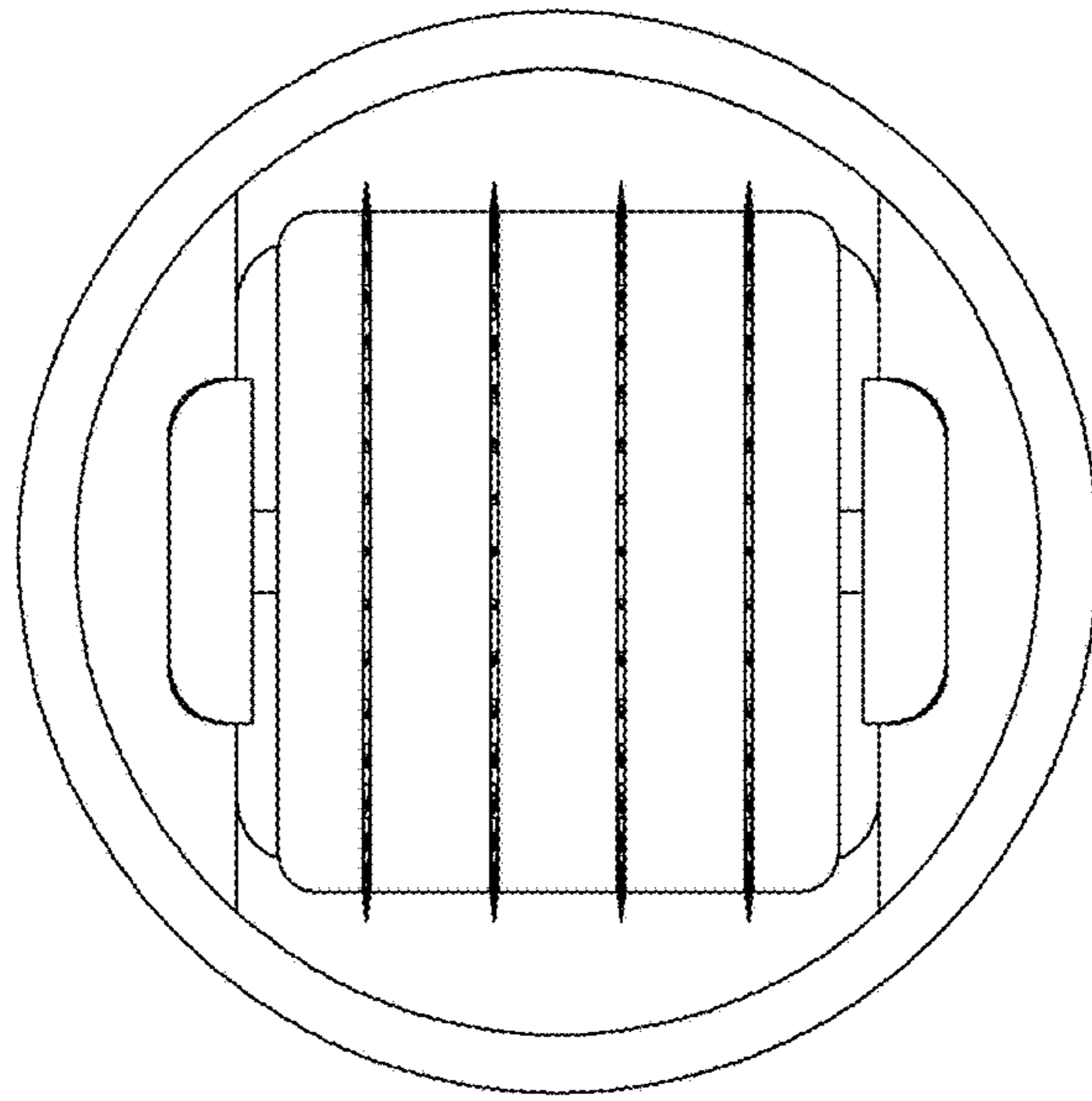


FIG. 7

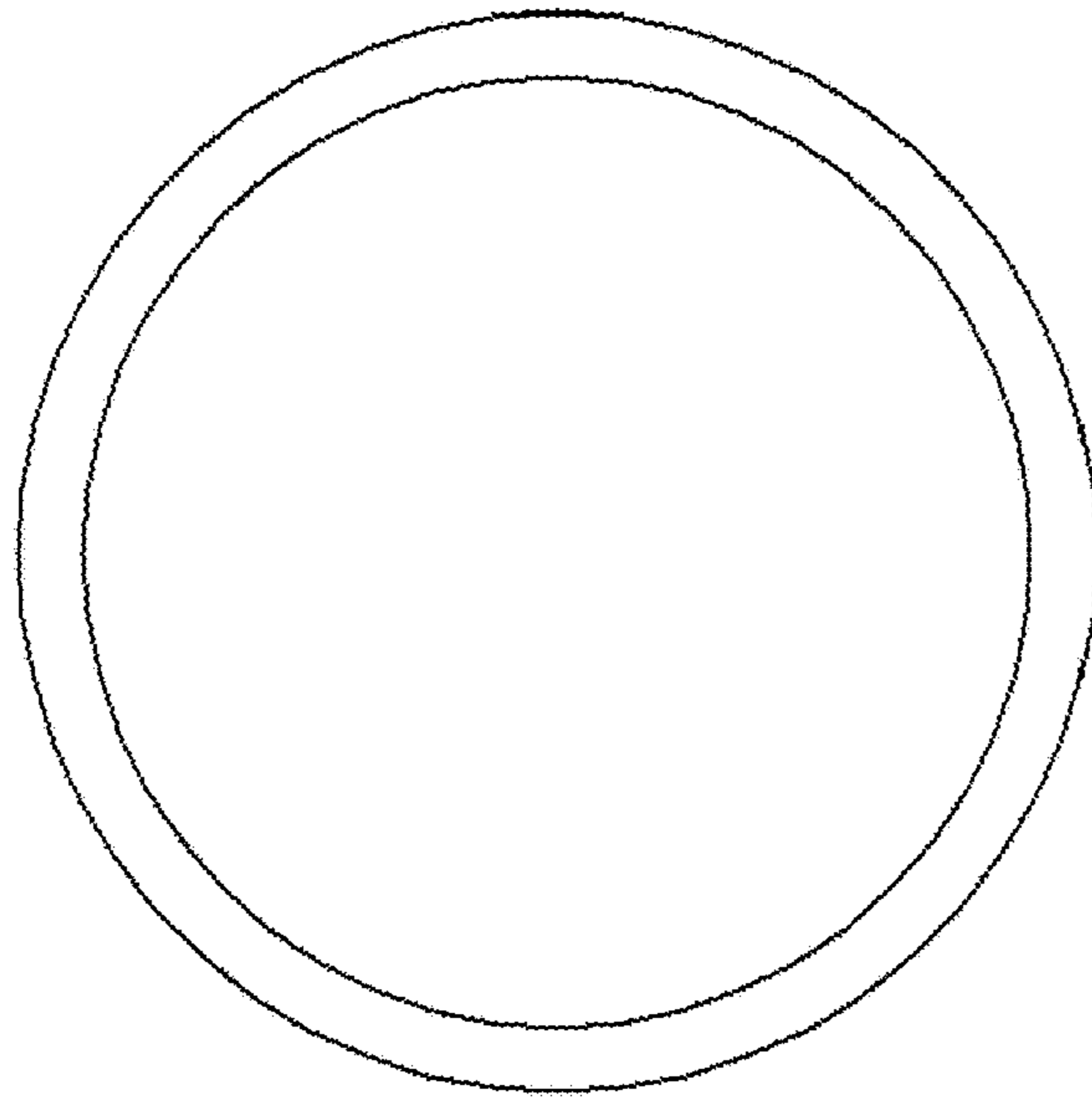


FIG. 8

