



US00D851499S

(12) **United States Design Patent**
Han

(10) **Patent No.:** **US D851,499 S**
(45) **Date of Patent:** **** Jun. 18, 2019**

- (54) **COSMETICS CONTAINER**
- (71) Applicant: **DTS MG Co., Ltd**, Seoul (KR)
- (72) Inventor: **Ki Soo Han**, Seoul (KR)
- (73) Assignee: **DTS MG CO., LTD**, Seoul (KR)
- (**) Term: **15 Years**
- (21) Appl. No.: **29/627,647**
- (22) Filed: **Nov. 29, 2017**
- (51) **LOC (11) Cl.** **09-01**
- (52) **U.S. Cl.**
USPC **D9/723**
- (58) **Field of Classification Search**
USPC D9/442, 503, 695-699, 702-714,
D9/723-729; D24/199; D28/7;
132/317, 318, 320; 222/95, 207, 212,
222/335
CPC A45D 34/00; A45D 40/00; B65D 81/3272
See application file for complete search history.

D714,152 S * 9/2014 Rhodes D9/529
D749,225 S * 2/2016 Chang D24/188
2008/0060665 A1* 3/2008 Umeno A45D 19/02
132/112

* cited by examiner

Primary Examiner — Derrick E Holland
Assistant Examiner — Janice Patyk
(74) *Attorney, Agent, or Firm* — Lex IP Meister, PLLC

(57) **CLAIM**

The ornamental design for a cosmetics container, as shown and described.

DESCRIPTION

FIG. 1 is a perspective view of a cosmetics container showing my new design;
FIG. 2 is a front elevational view thereof;
FIG. 3 is a rear elevational view thereof;
FIG. 4 is a left side elevational view thereof;
FIG. 5 is a right side elevational view thereof;
FIG. 6 is a top plan view thereof, shown in enlarged scale;
FIG. 7 is a bottom plan view thereof, shown in enlarged scale; and,
FIG. 8 is an exploded perspective view thereof.
The dot-dash broken lines of FIG. 8 is included to show relationship of the top to the container only and forms no part of the claimed design.

(56) **References Cited**

U.S. PATENT DOCUMENTS

- D422,455 S * 4/2000 Kato D7/608
- D427,521 S * 7/2000 Smith D9/727
- D501,794 S * 2/2005 Kunesh D9/521
- D505,831 S * 6/2005 Liu D7/510
- D518,732 S * 4/2006 Gedanke D9/529

1 Claim, 8 Drawing Sheets

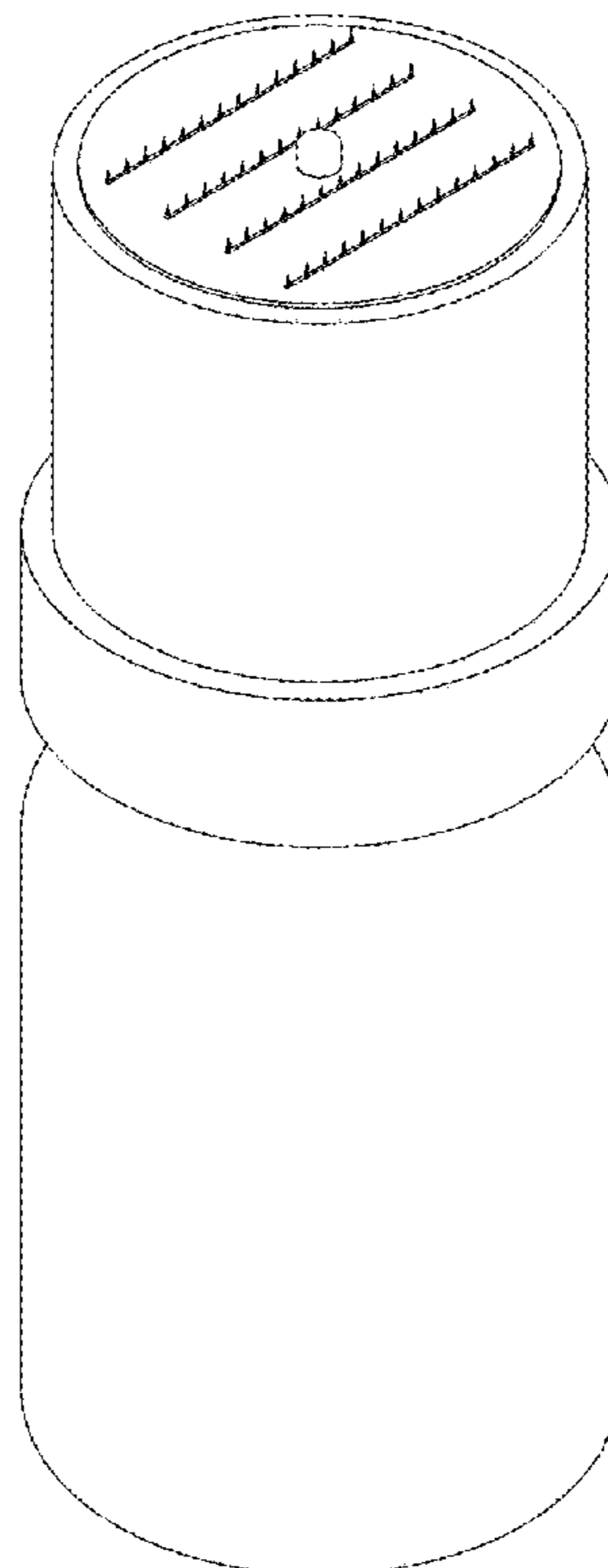


FIG. 1

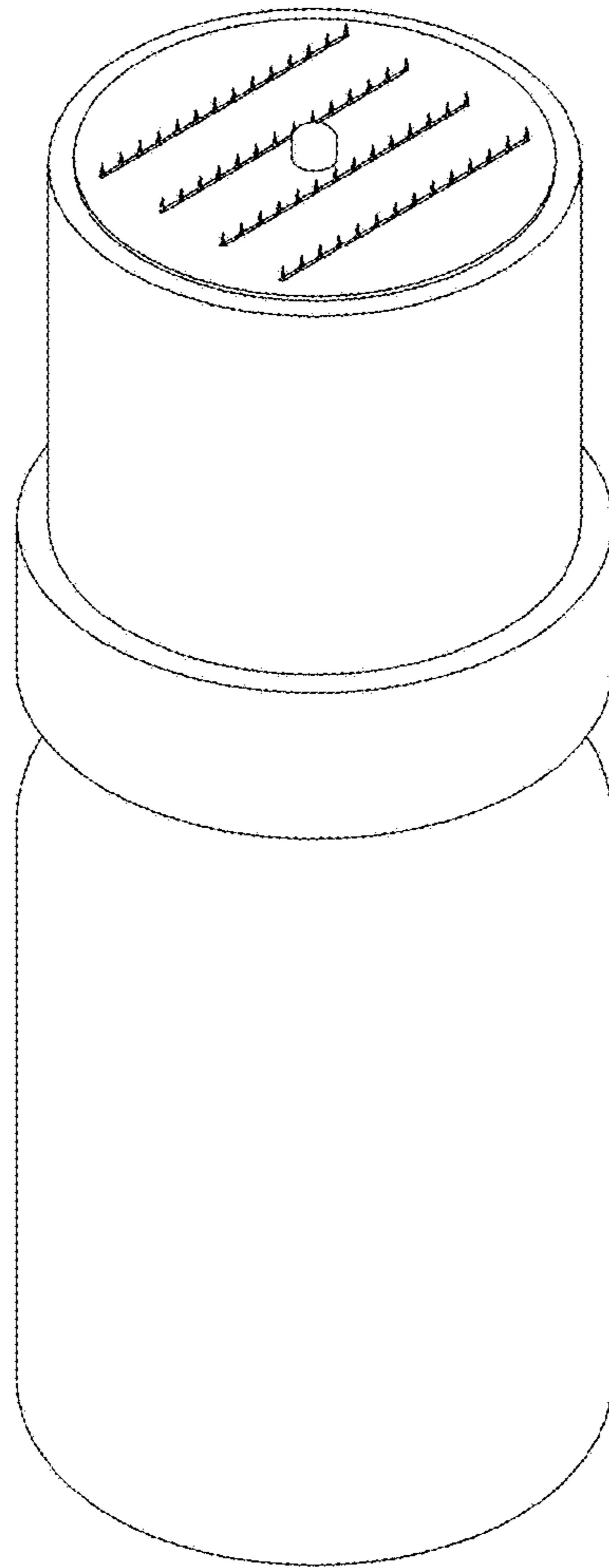


FIG. 2

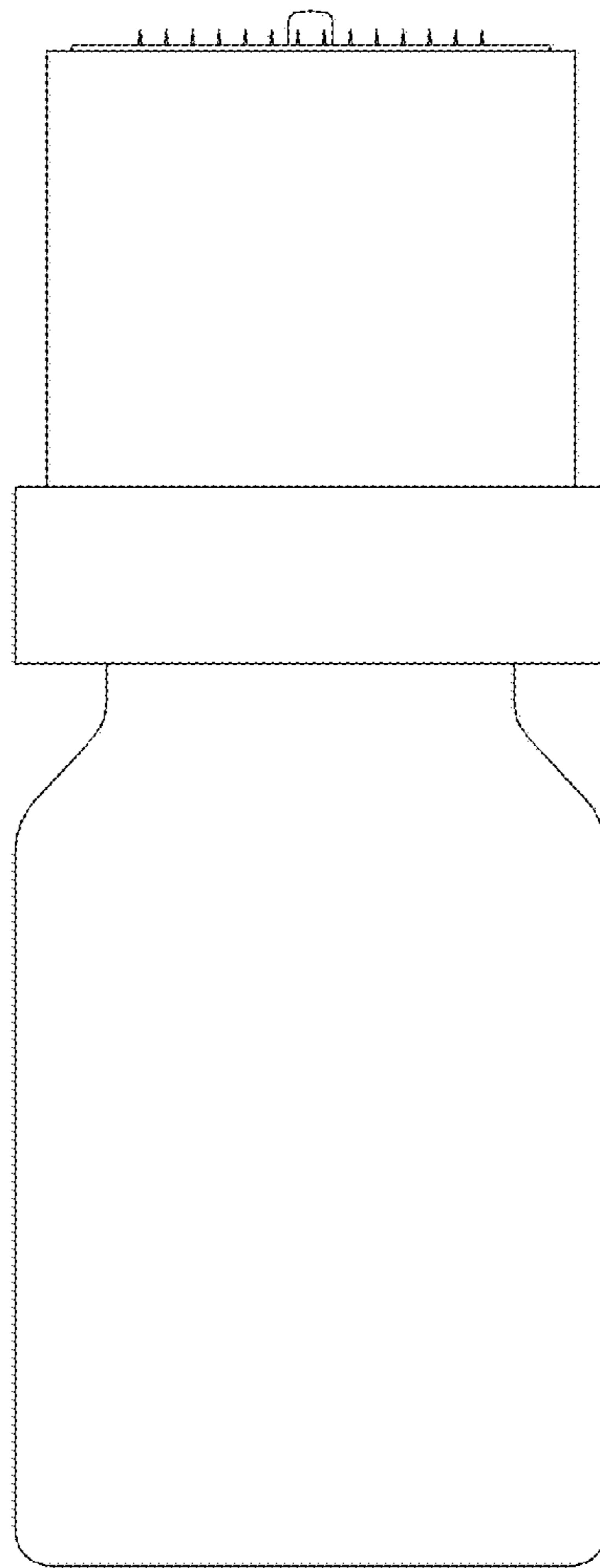


FIG. 3

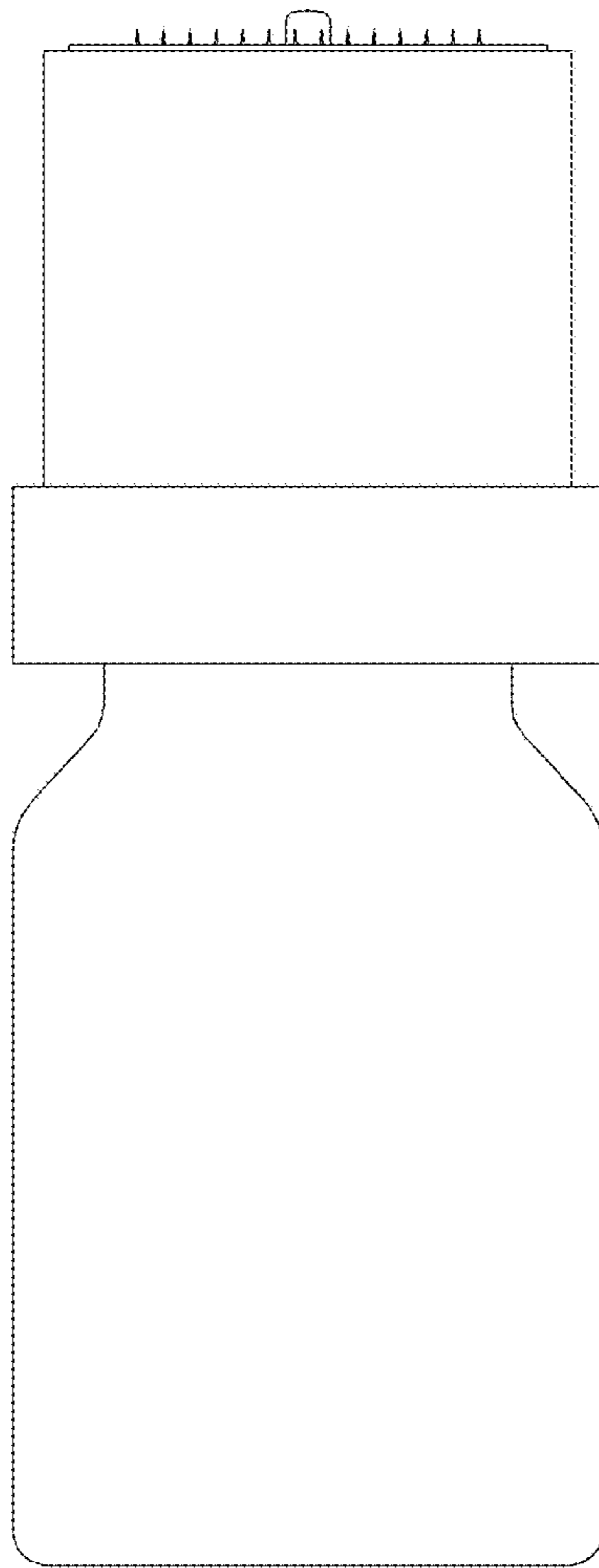


FIG. 4

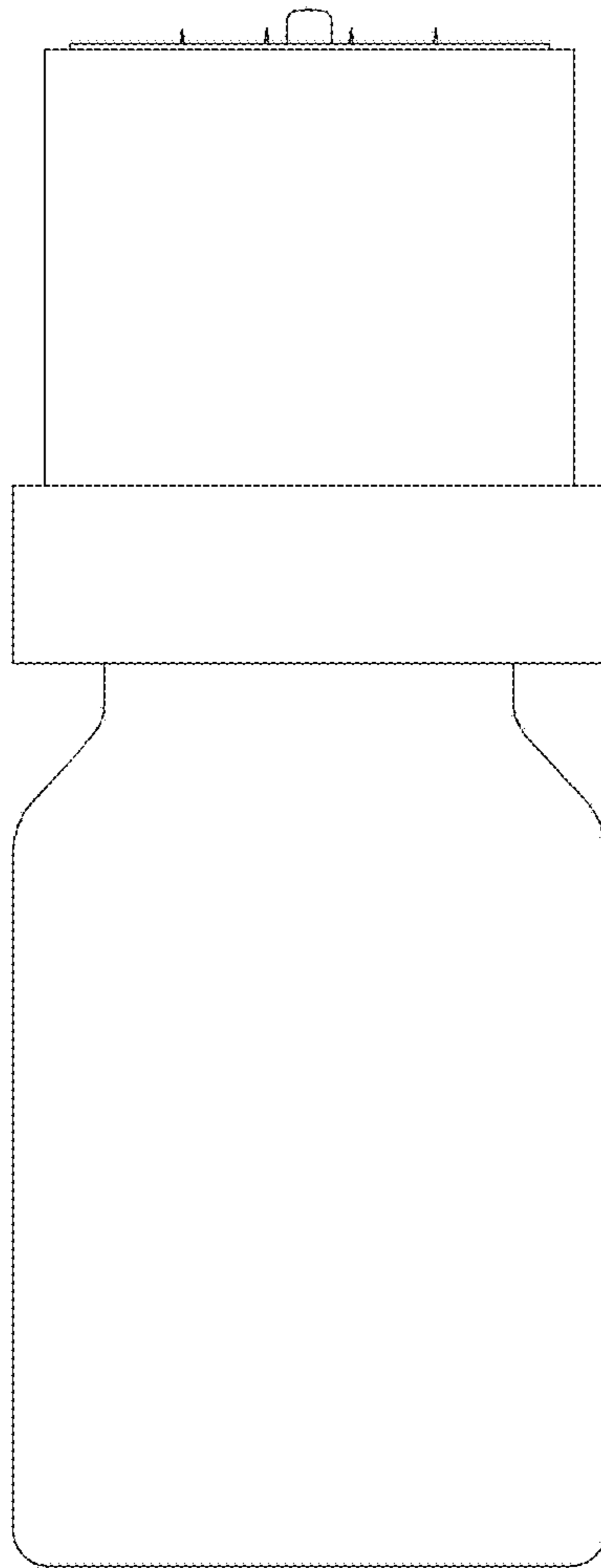


FIG. 5

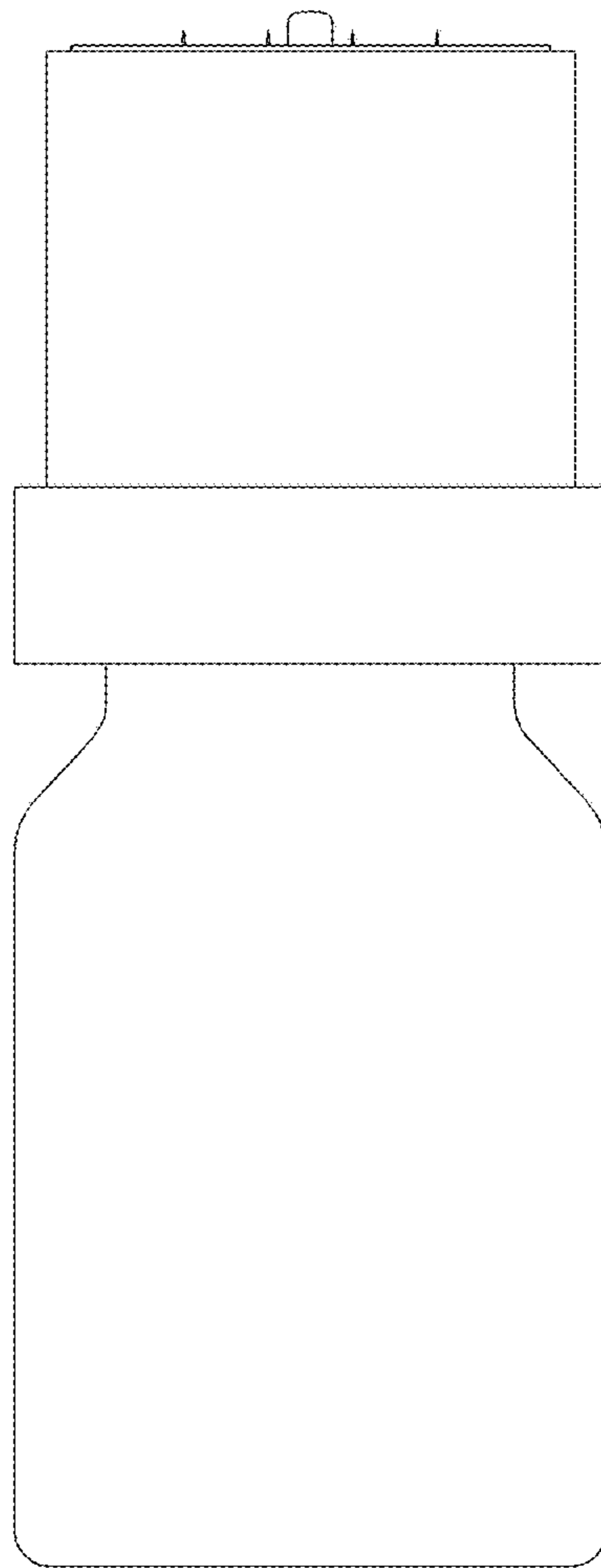


FIG. 6

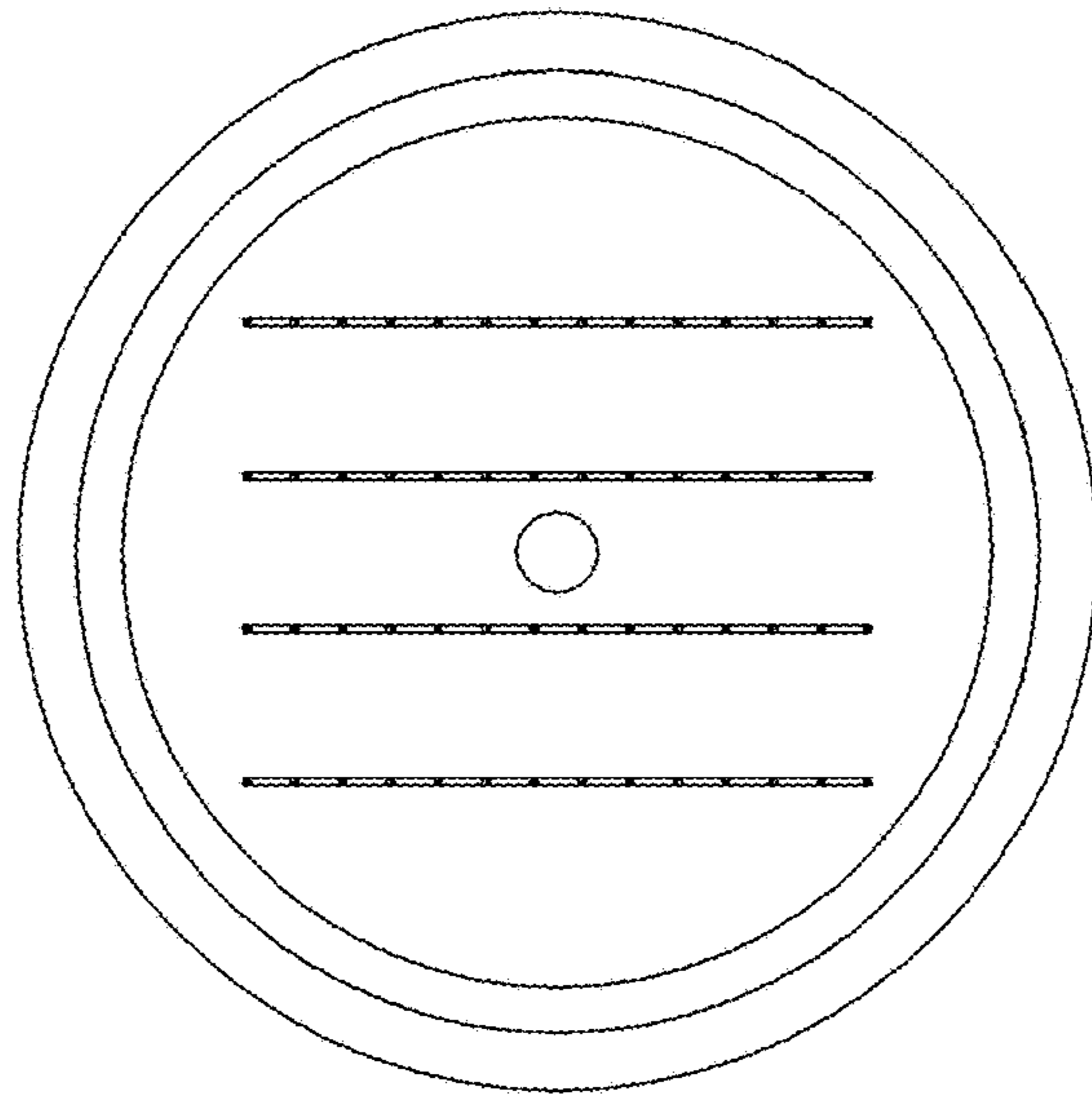


FIG. 7

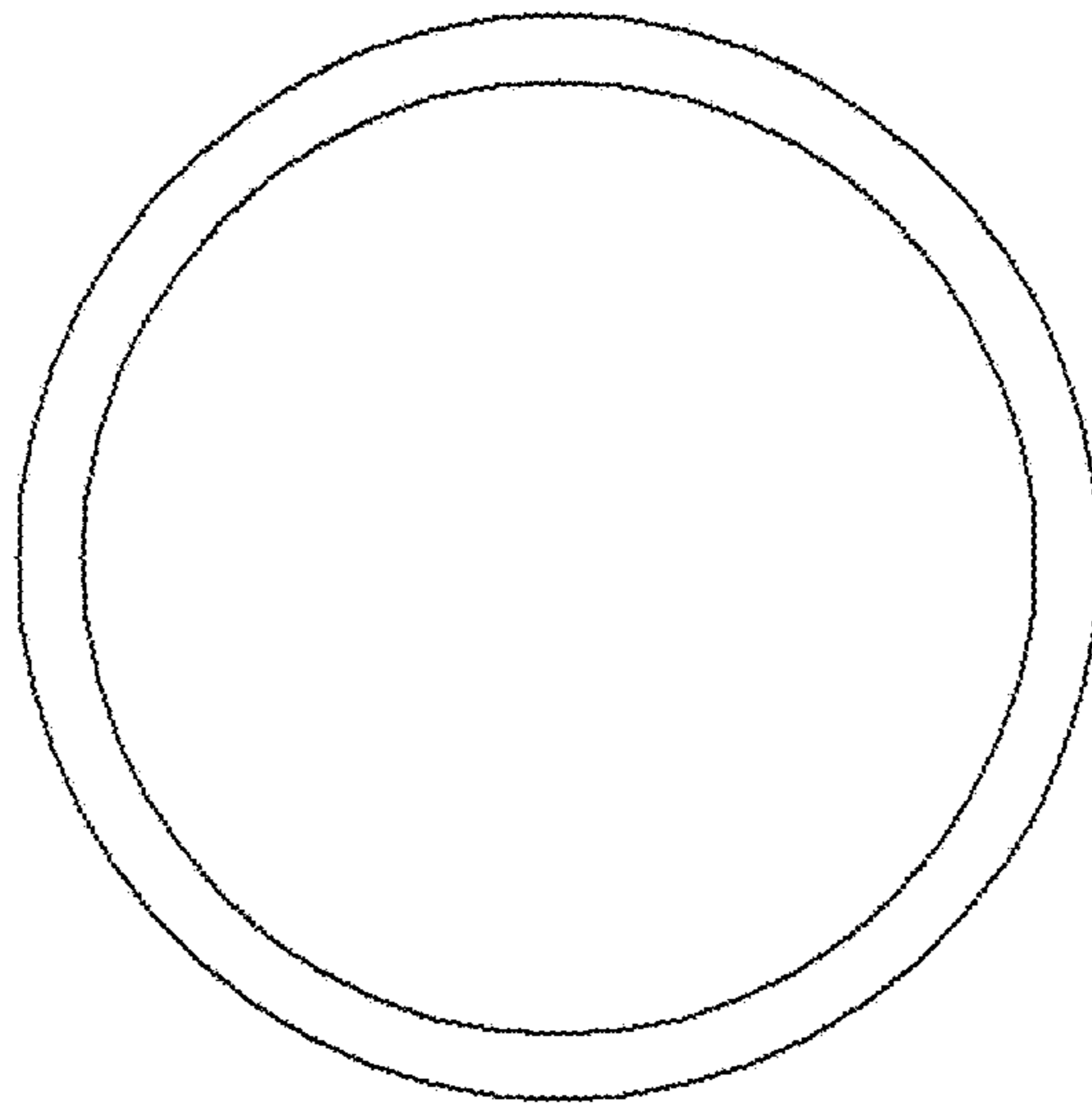


FIG. 8

