



US00D851497S

(12) **United States Design Patent**
Zhu

(10) **Patent No.:** **US D851,497 S**

(45) **Date of Patent:** **** Jun. 18, 2019**

(54) **BOTTLE**

(71) Applicant: **Ningbo SKL International Co., Ltd.**,
Ningbo, Zhejiang Province (CN)

(72) Inventor: **Lingfeng Zhu**, Ningbo (CN)

(73) Assignee: **Ningbo SKL International Co., LTD.**,
Ningbo, Zhejiang Province (CN)

(**) Term: **15 Years**

(21) Appl. No.: **29/621,769**

(22) Filed: **Oct. 11, 2017**

(51) **LOC (11) Cl.** **09-01**

(52) **U.S. Cl.**
USPC **D9/687**; D9/529; D9/560

(58) **Field of Classification Search**
USPC D9/600-681, 682-694, 763, 765-780,
D9/783, 520, 529, 544-546, 559-575,
D9/414, 418, 432, 434-436, 439, 440,
D9/444, 445, 447, 448; D28/76-91.1;
D6/542

CPC .. B05B 11/00-3098; B65D 83/14-759; B65D
1/0223; B65D 1/08; B65D 1/09; B65D
1/40; B65D 2501/0063; B65D 2501/0081;
A47K 5/12-1212; A45D 34/00; A45D
34/02; A45D 34/04; A45D 34/042; A45D
34/045; A45D 34/06; A45D 2034/002;
A45D 2034/005; A45D 2034/007; A45D
2200/055; A45D 2200/056; A45D
2200/057; A45D 2200/109

See application file for complete search history.

(56) **References Cited**

U.S. PATENT DOCUMENTS

D48,078 S * 11/1915 Miles D9/770
D60,205 S * 1/1922 Abbott D7/591
D110,180 S * 6/1938 Jackson D7/316

D270,235 S * 8/1983 Ewry D9/448
D294,804 S * 3/1988 Lunderman D9/529
D306,693 S * 3/1990 Beier-Rosetti D9/529
D317,406 S * 6/1991 Desgrippes D9/529
D334,705 S * 4/1993 Pereira D9/529
D369,978 S * 5/1996 Mohamed D9/529
D392,185 S * 3/1998 Husted D9/418
D434,645 S * 12/2000 Adachi D9/694
D459,229 S * 6/2002 Paul D9/529
D564,898 S * 3/2008 McGuinness D9/560
D584,639 S * 1/2009 Antretter D9/687
D584,953 S * 1/2009 Rica D9/520
D603,716 S * 11/2009 Rica D9/560
D635,808 S * 4/2011 DeBretton Gordon D6/542
D644,108 S * 8/2011 Vila Calvo D9/529
D748,485 S * 2/2016 Marret D9/529

(Continued)

Primary Examiner — Catherine A Tuttle

(74) *Attorney, Agent, or Firm* — Jeanette Meng
Nakagawa

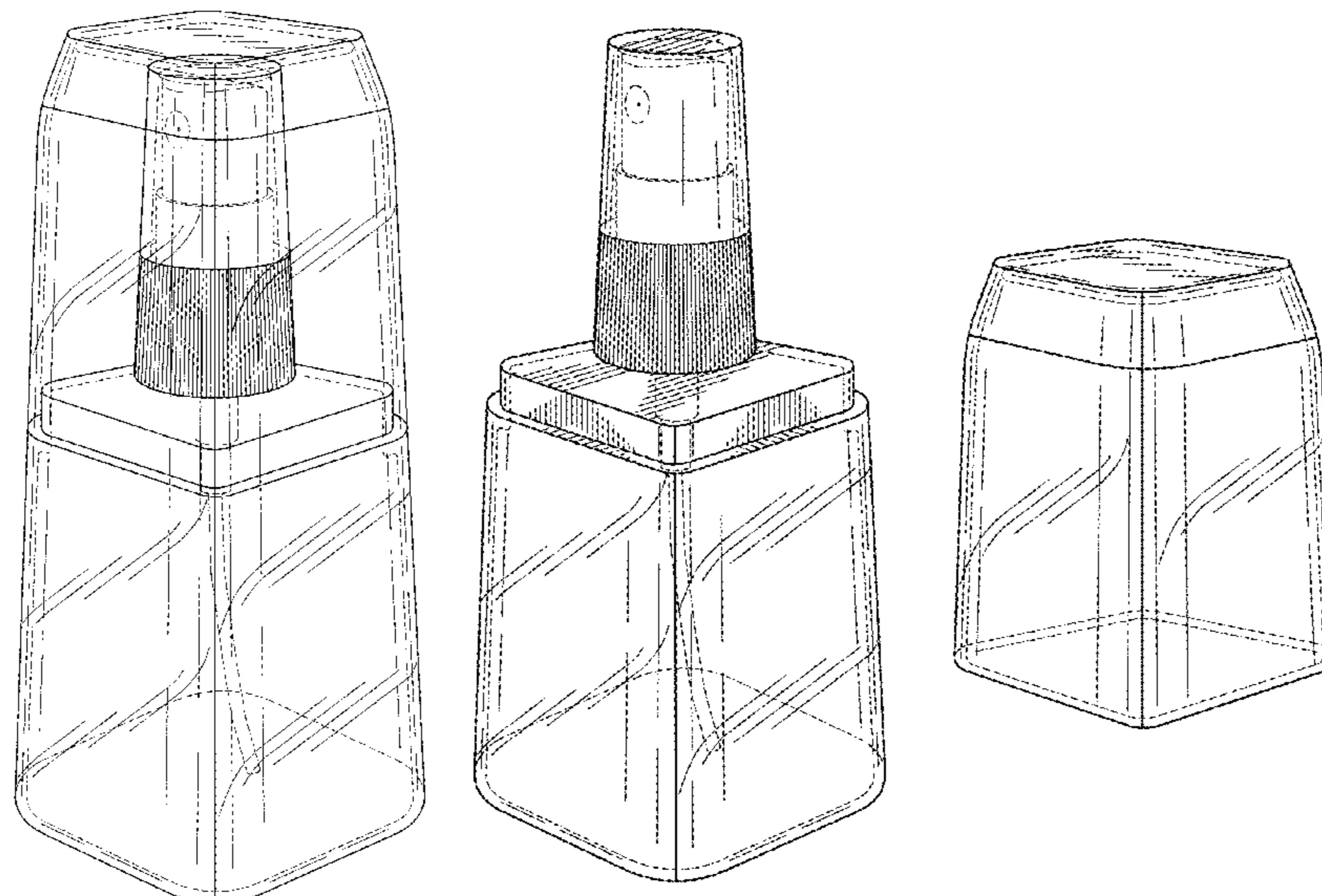
(57) **CLAIM**

The ornamental design for a bottle, as shown and described.

DESCRIPTION

FIG. 1 is a top, front and right perspective view of a bottle showing my new design;
FIG. 2 is a front view thereof;
FIG. 3 is a right side view thereof;
FIG. 4 is a back view thereof;
FIG. 5 is a left view thereof;
FIG. 6 is a top view thereof;
FIG. 7 is a bottom view thereof;
FIG. 8 is a top, front and right perspective view showing the cap and underlying portions in a separated state;
FIG. 9 is a front view shown without the cap for a clear disclosure of the underlying parts; and,
FIG. 10 is a rear view thereof.
The broken lines depict the portions of the bottle that form no part of the claimed design.

1 Claim, 5 Drawing Sheets



(56)

References Cited

U.S. PATENT DOCUMENTS

D768,937 S	*	10/2016	Yoshida	D28/83
D772,481 S	*	11/2016	Paquet	D28/7
D788,594 S	*	6/2017	Elkouby	D9/566
D796,336 S	*	9/2017	Pensler	D9/544
D796,964 S	*	9/2017	Staab	D9/520
D820,102 S	*	6/2018	Lee	D9/560

* cited by examiner

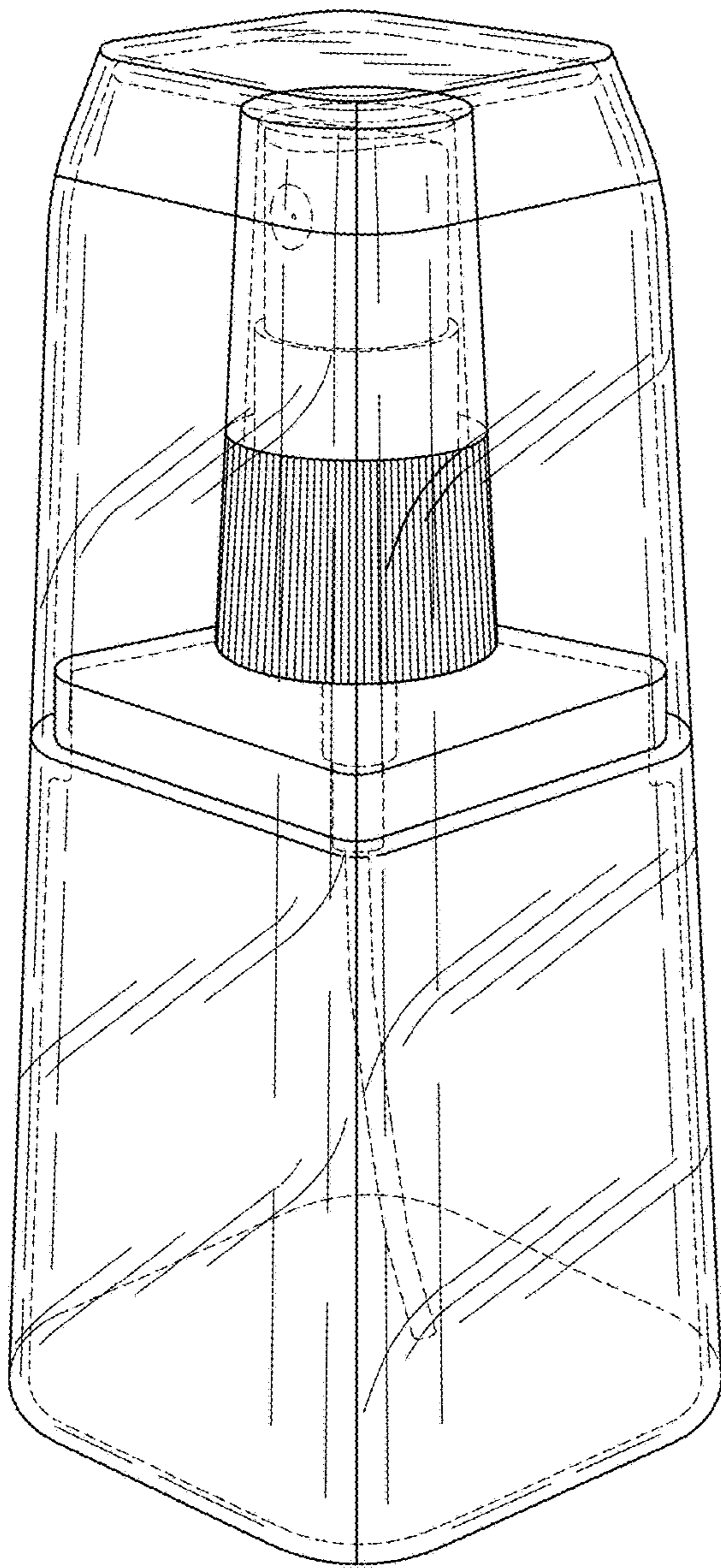


FIG. 1

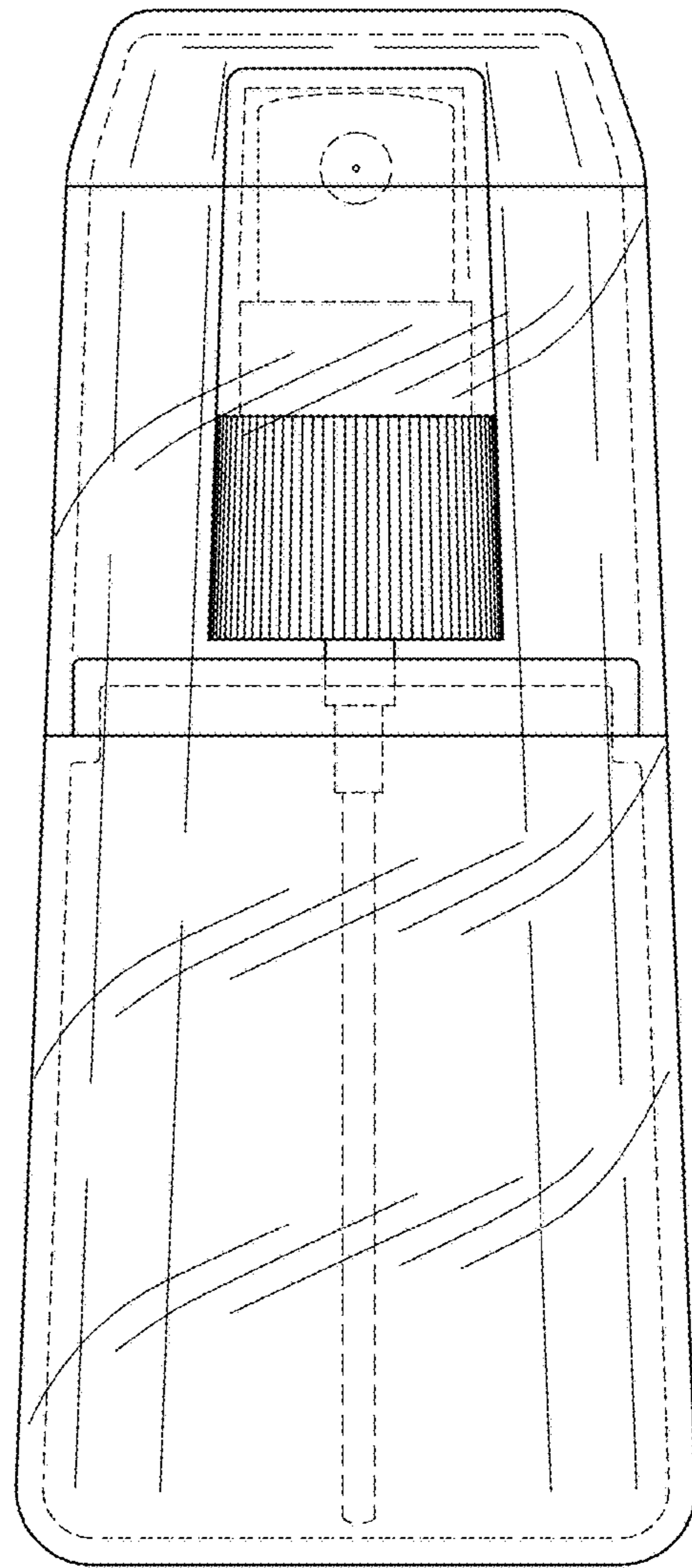


FIG. 2

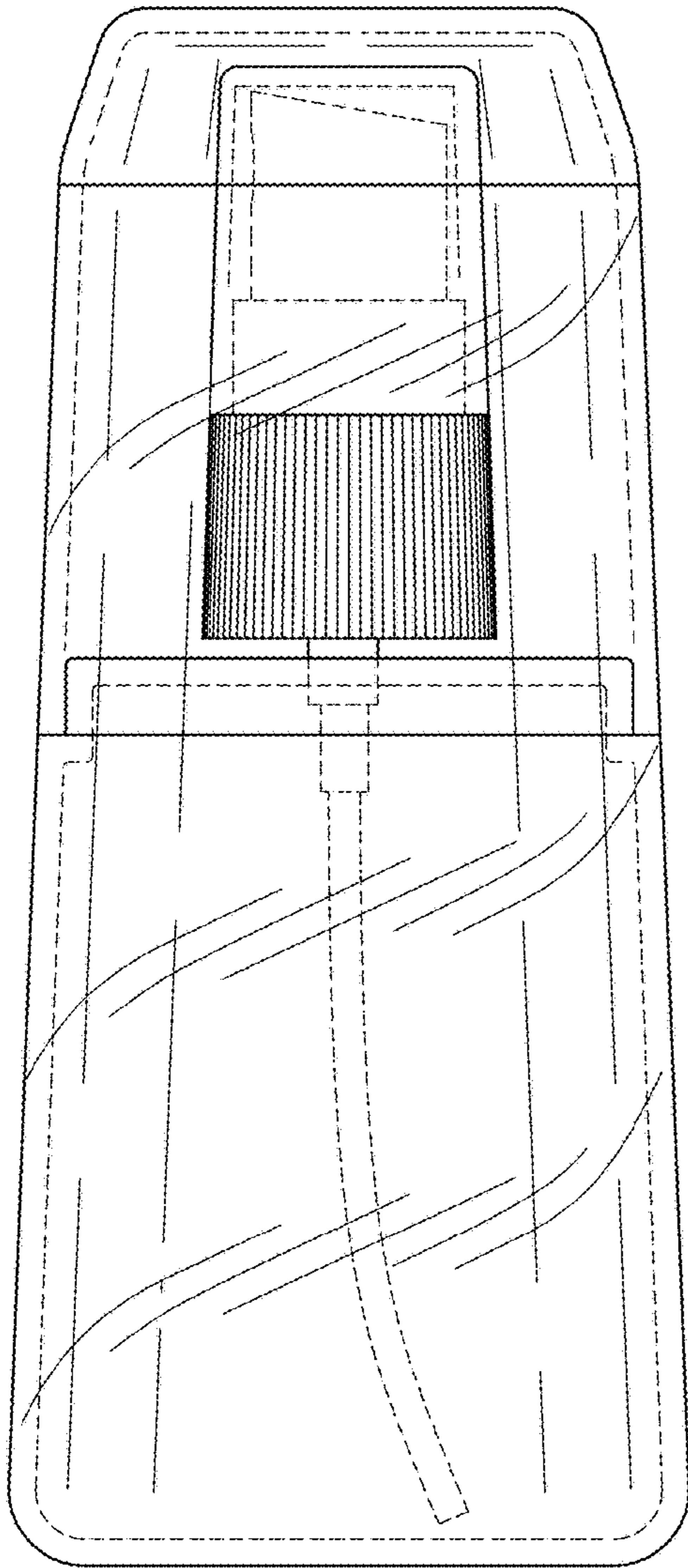


FIG. 3

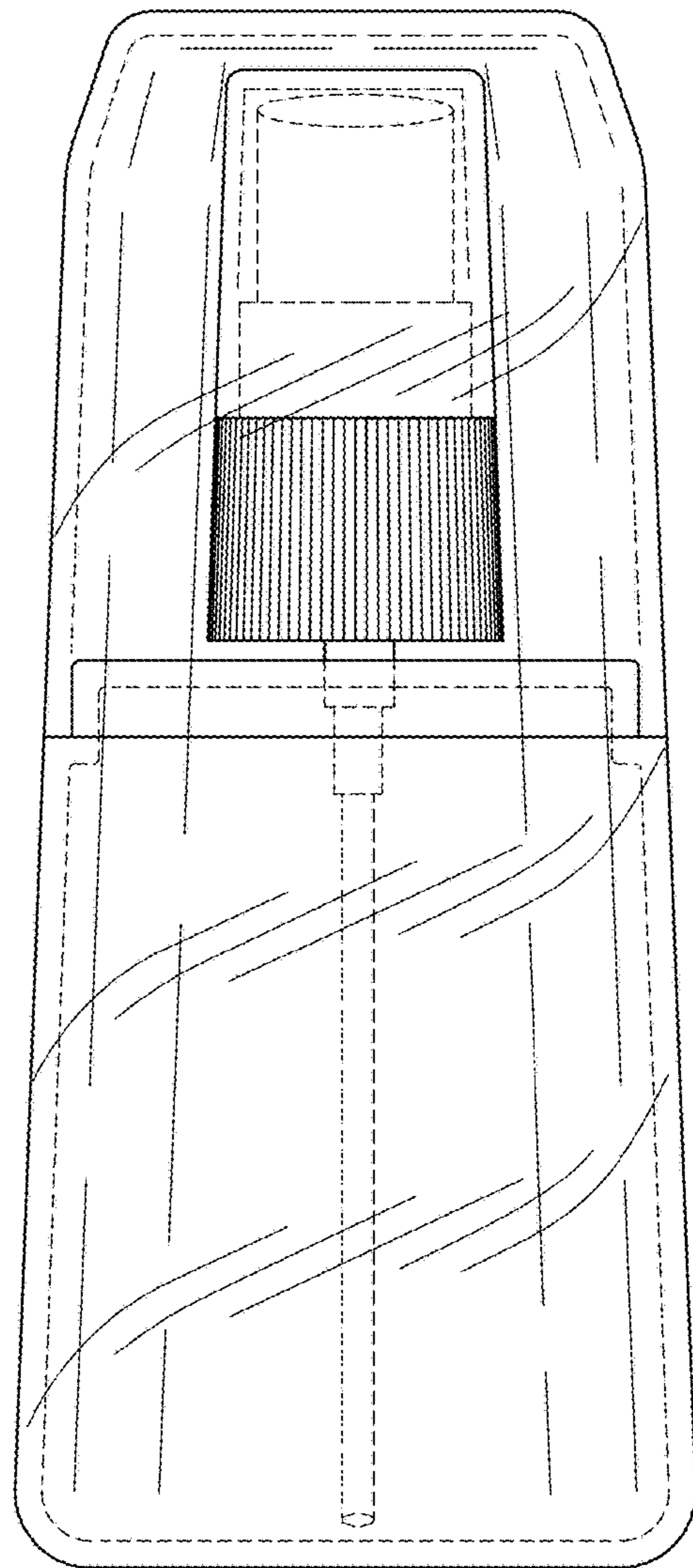


FIG. 4

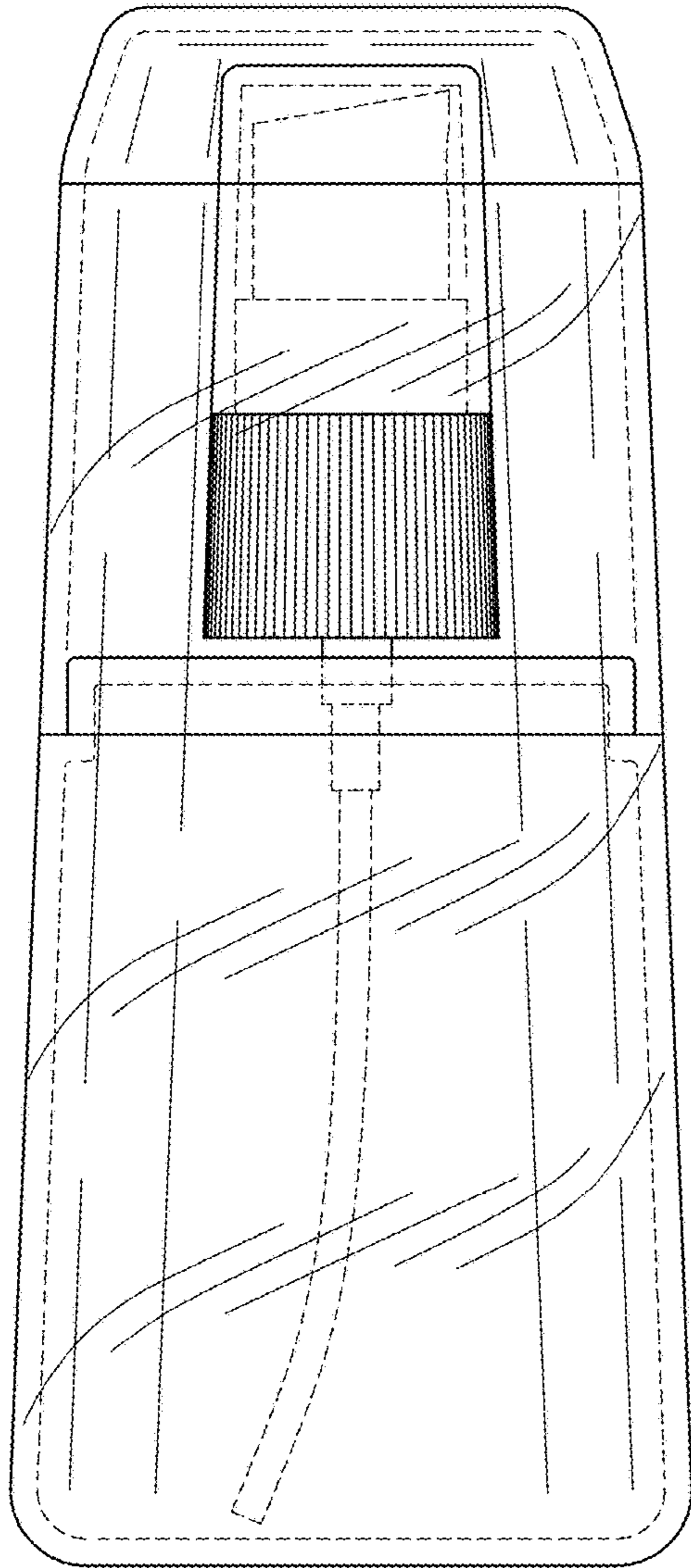


FIG. 5

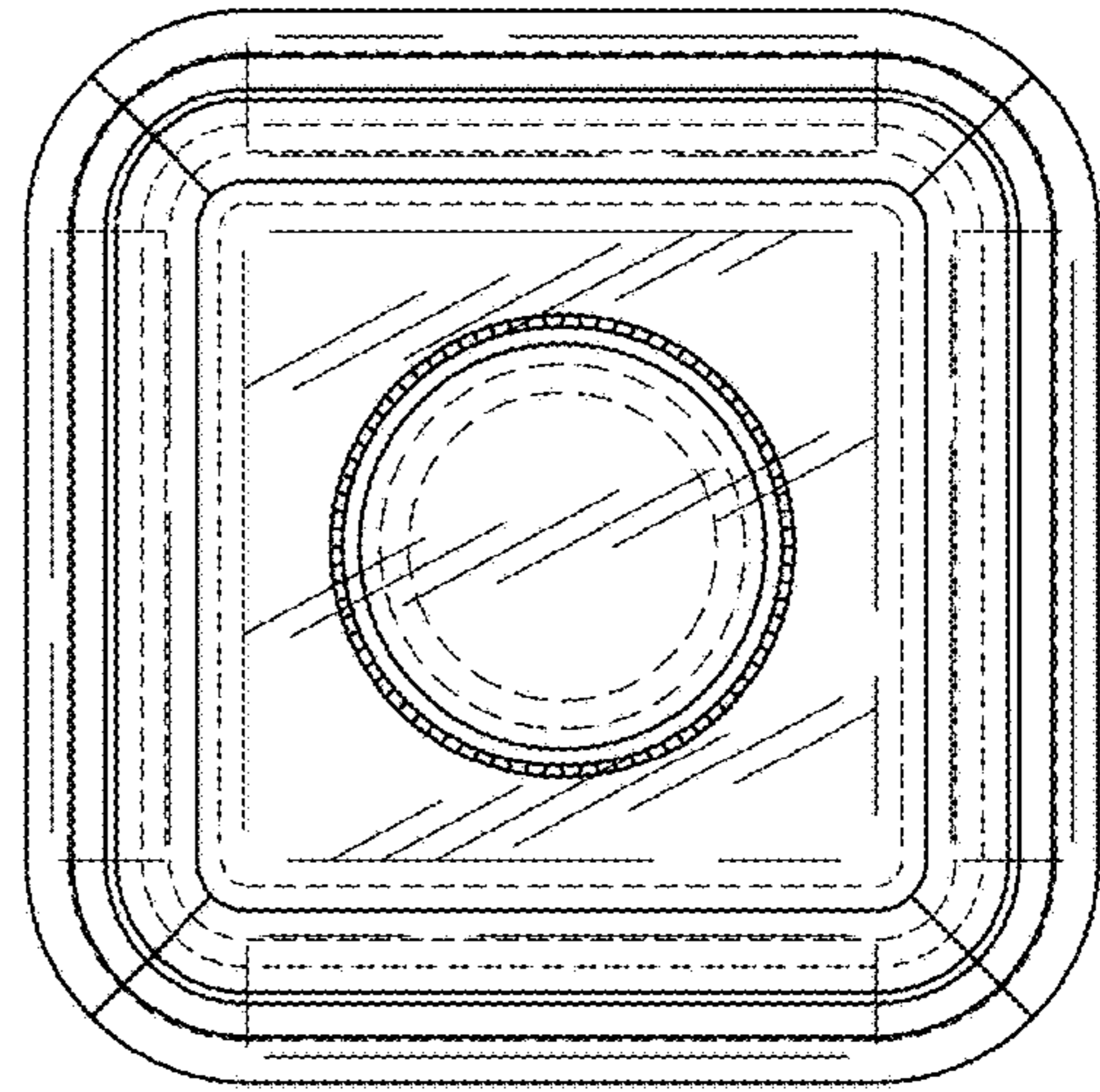


FIG. 6

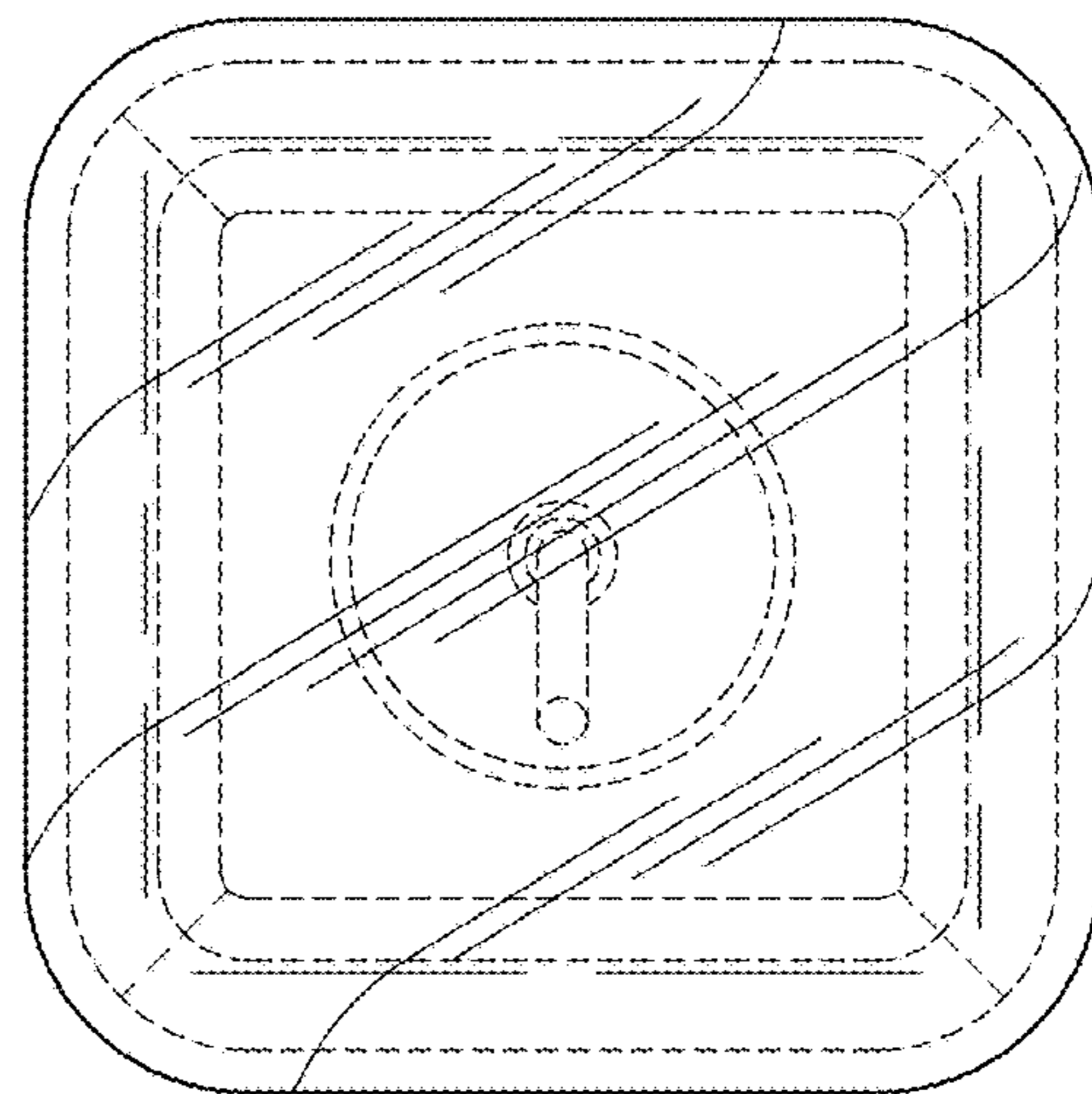


FIG. 7

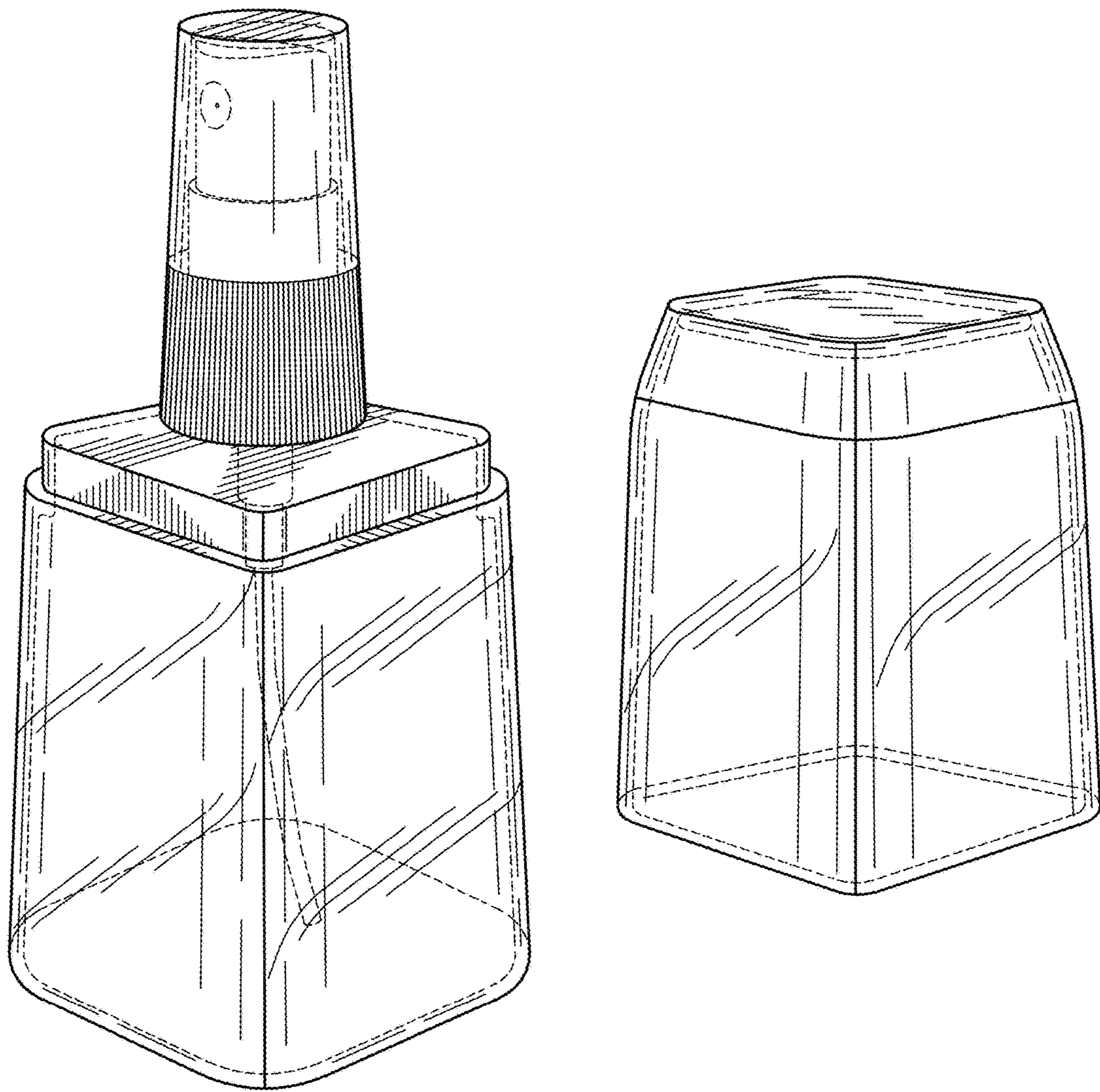


FIG. 8

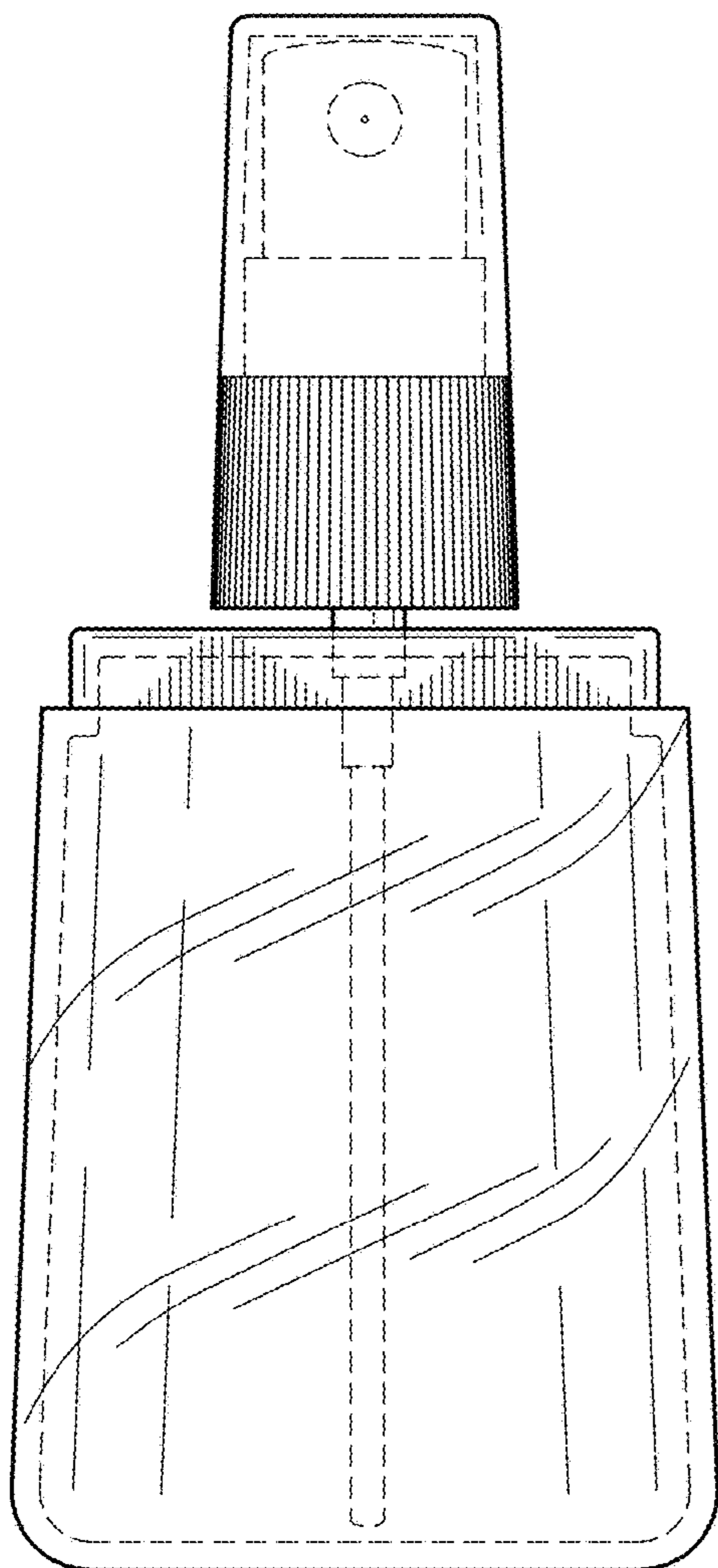


FIG. 9

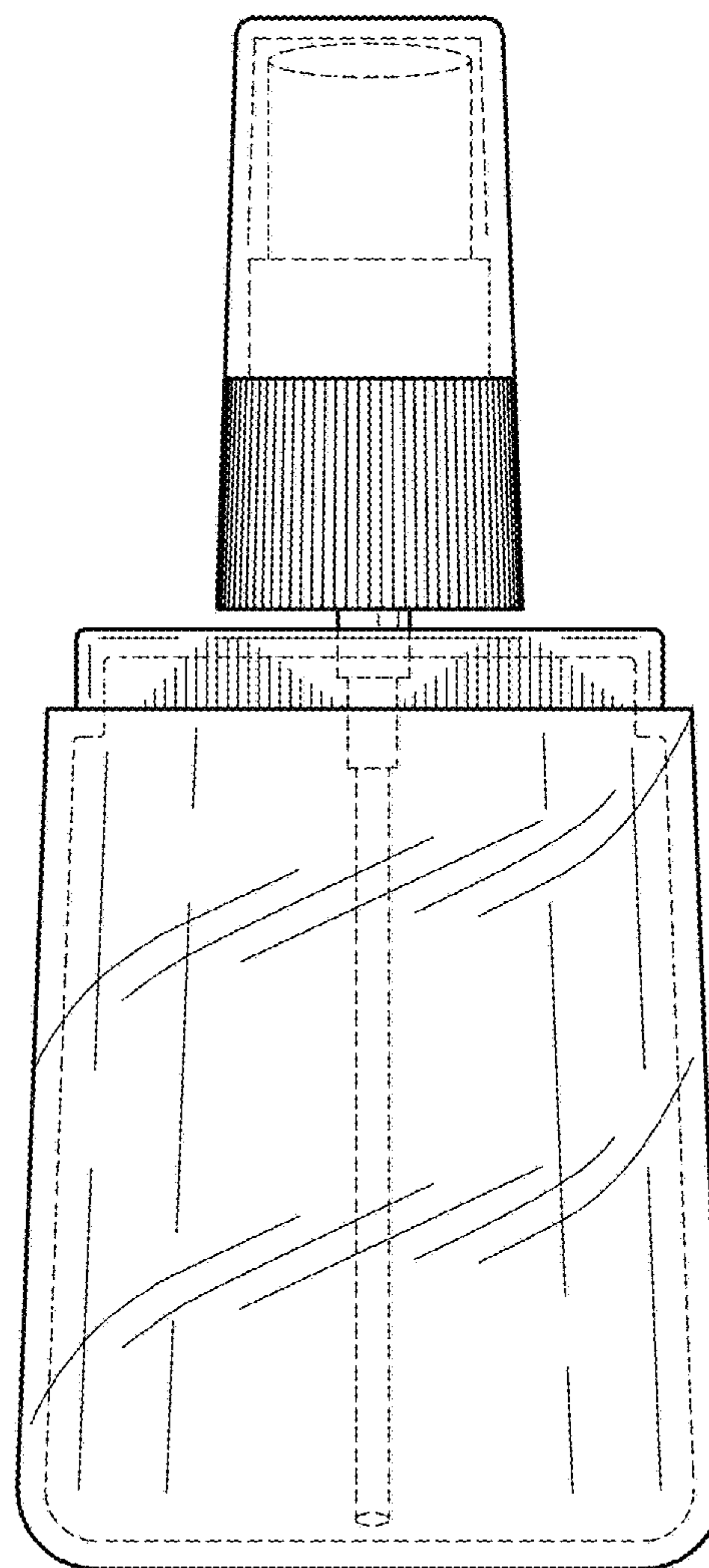


FIG. 10