

US00D851496S

(12) **United States Design Patent**
Osanai

(10) **Patent No.:** **US D851,496 S**
(45) **Date of Patent:** **** Jun. 18, 2019**

(54) **BOX**
(71) Applicant: **SHOWA CORPORATION**, Saitama (JP)
(72) Inventor: **Akihito Osanai**, Shizuoka (JP)
(73) Assignee: **SHOWA CORPORATION**, Saitama (JP)
(**) Term: **15 Years**

D371,959 S * 7/1996 Hupp D9/676
D386,207 S * 11/1997 Wichser D9/676
D463,739 S * 10/2002 Weinstock D9/676
D465,920 S * 11/2002 Aganian D3/271.12
D474,684 S * 5/2003 Stevens D9/676
D489,776 S * 5/2004 Hoeting D9/676
D580,996 S * 11/2008 Yaguchi D21/552
D589,346 S * 3/2009 Hall D9/432
D593,419 S * 6/2009 Crowley D9/676
D624,828 S * 10/2010 Brogan D9/676
D692,754 S * 11/2013 Akana A63H 33/16
D9/431
D769,115 S * 10/2016 Shimizu D9/432

(21) Appl. No.: **29/643,989**

* cited by examiner

(22) Filed: **Apr. 13, 2018**

Primary Examiner — Sandra L Morris

(30) **Foreign Application Priority Data**

(74) *Attorney, Agent, or Firm* — Rankin, Hill & Clark LLP

Nov. 24, 2017 (JP) 2017-026148

(51) **LOC (11) Cl.** **09-01**

(52) **U.S. Cl.**
USPC **D9/676; D9/432**

(57) **CLAIM**

(58) **Field of Classification Search**

The ornamental design for a box, as shown and described.

USPC D3/270, 271.1–271.4; D7/510, 514–520, D7/599, 604, 613, 619.2, 623, 628; D9/600, 672–678, 414–418, 430–434; 206/457, 459.5, 527; 215/381–384, 400; D21/676

DESCRIPTION

CPC B65D 5/42; B65D 5/4258; B65D 81/60; B65D 81/365; B65D 81/366; B65D 81/368; B65D 2203/00; B65D 2203/02; B65D 37/00; B65D 77/00; B65D 97/00; A63H 33/16

FIG. 1 is a front, right side, top perspective view of a box showing my new design;
FIG. 2 is a front elevational view thereof;
FIG. 3 is a rear elevational view thereof;
FIG. 4 is a top plan view thereof;
FIG. 5 is a bottom plan view thereof;
FIG. 6 is a left side elevational view thereof; and,
FIG. 7 is a right side elevational view thereof.

See application file for complete search history.

The broken lines shown are included for the purpose of illustrating the unclaimed portions of and form no part of the claimed design.

(56) **References Cited**

U.S. PATENT DOCUMENTS

1 Claim, 4 Drawing Sheets

D220,198 S * 3/1971 Clauser, Sr. D9/676
4,646,959 A * 3/1987 Sheffer A63H 33/16
D9/676

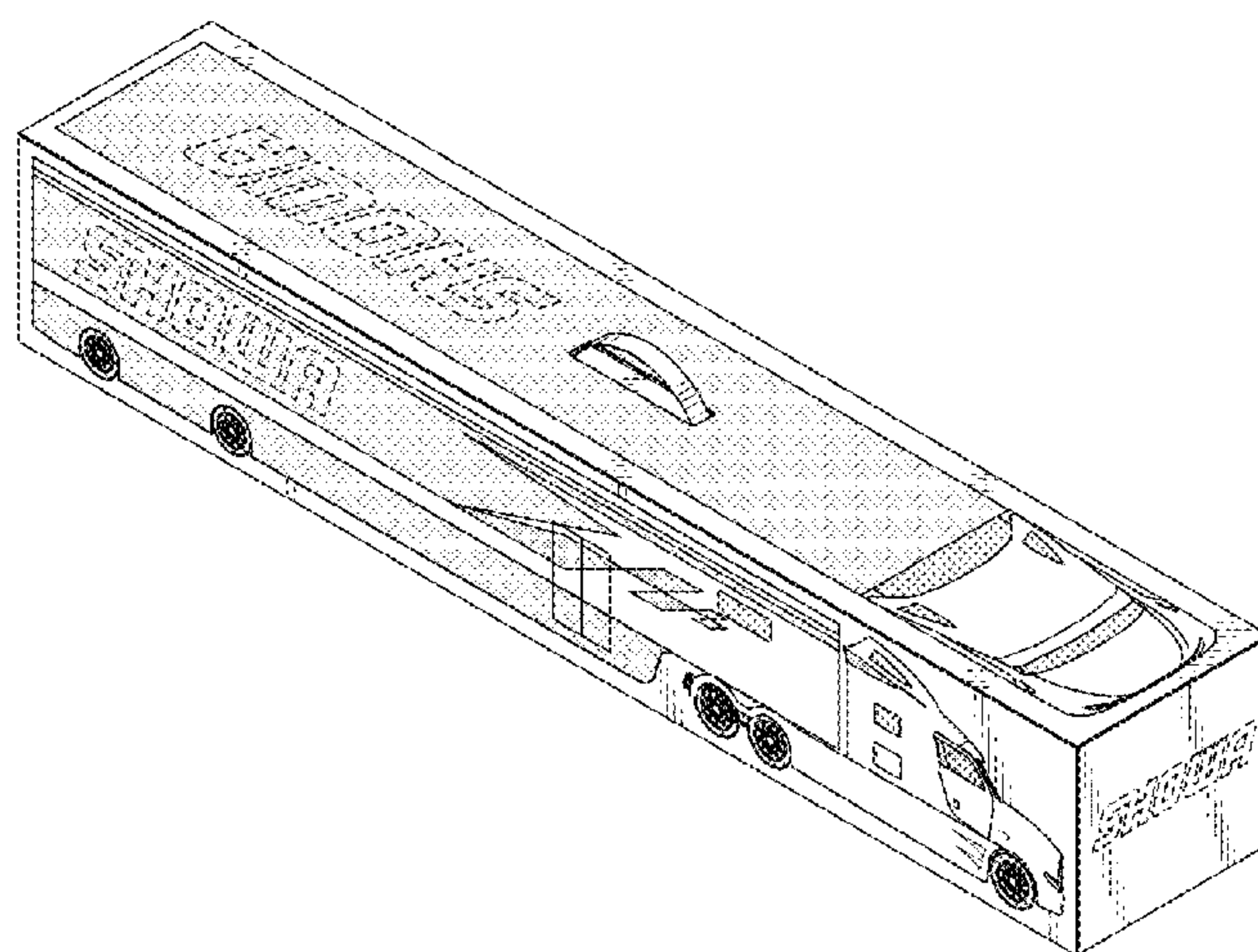


FIG. 1

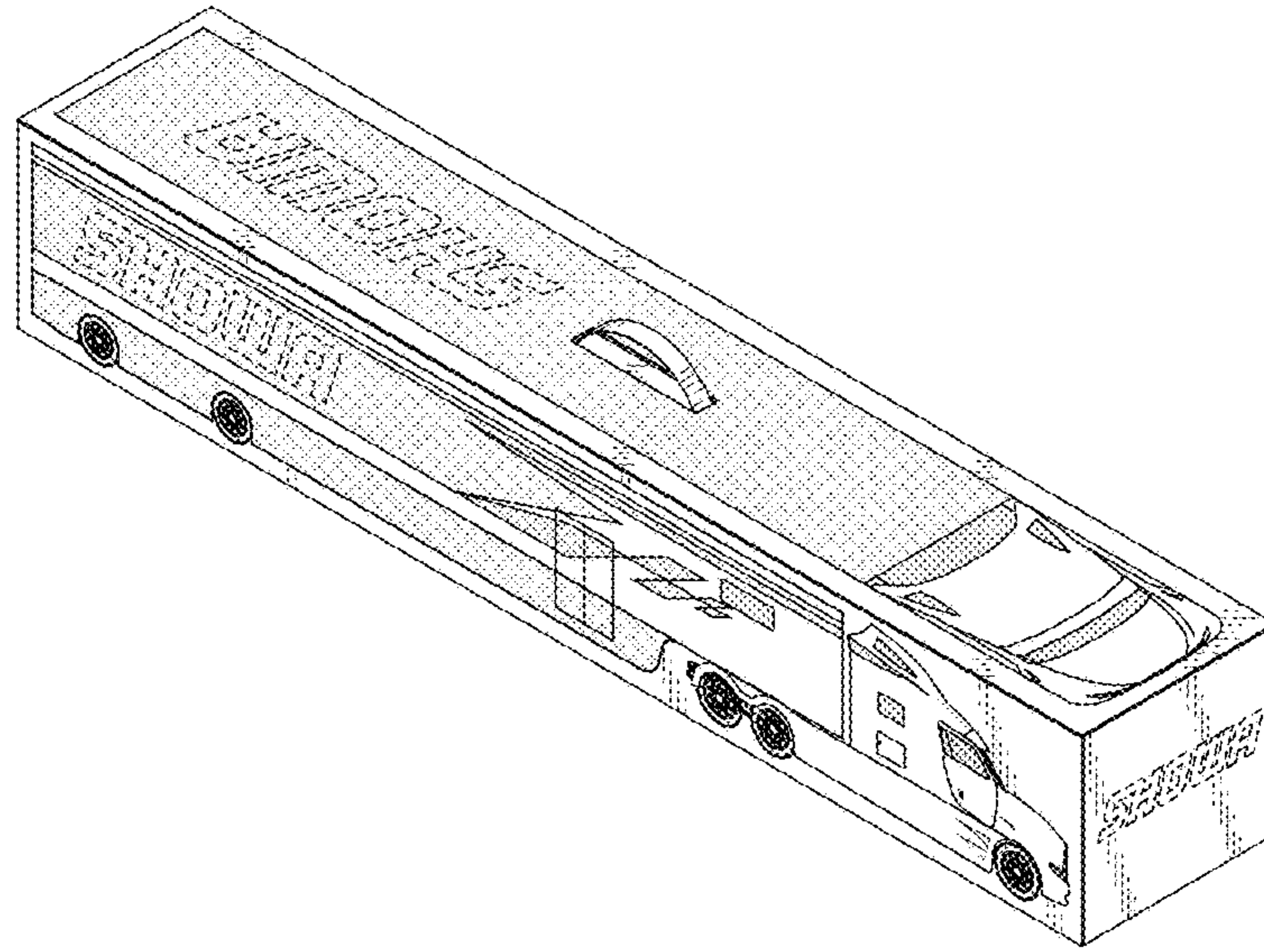


FIG. 2

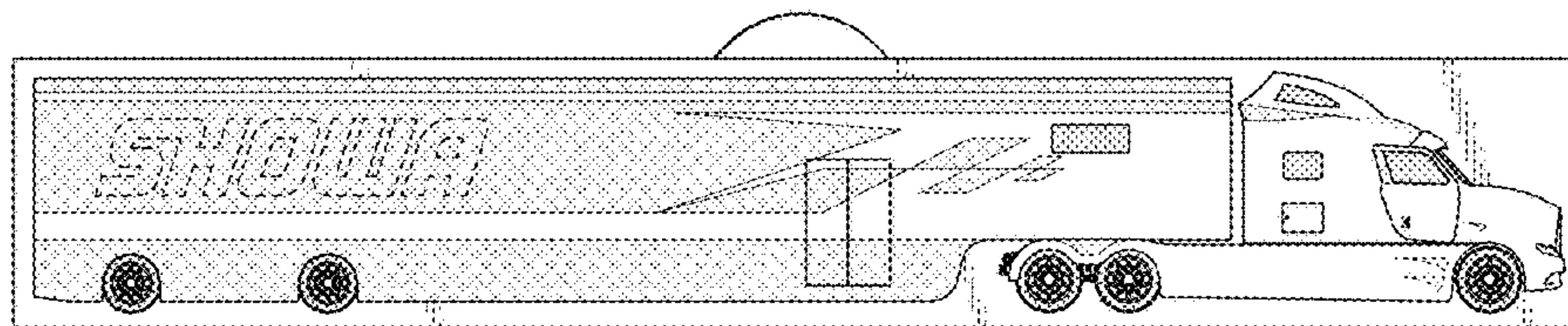


FIG. 3

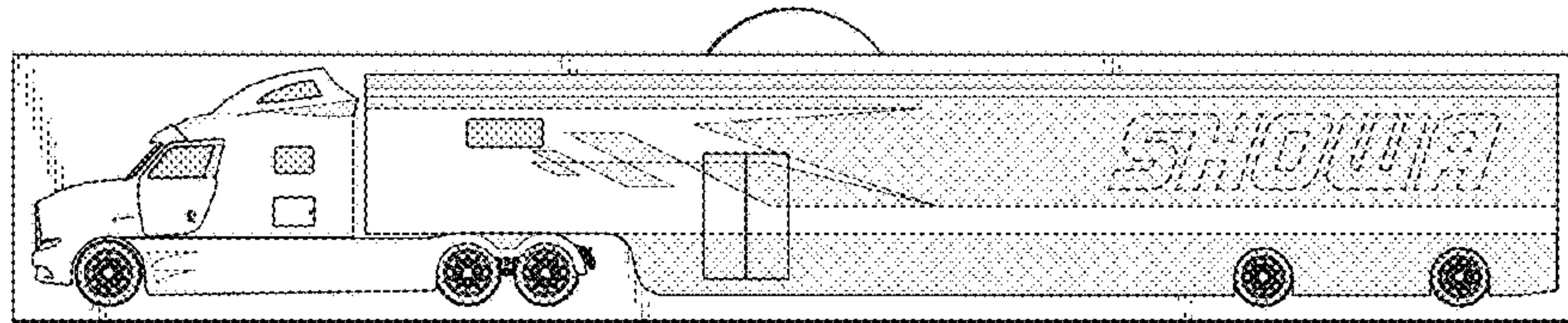


FIG. 4

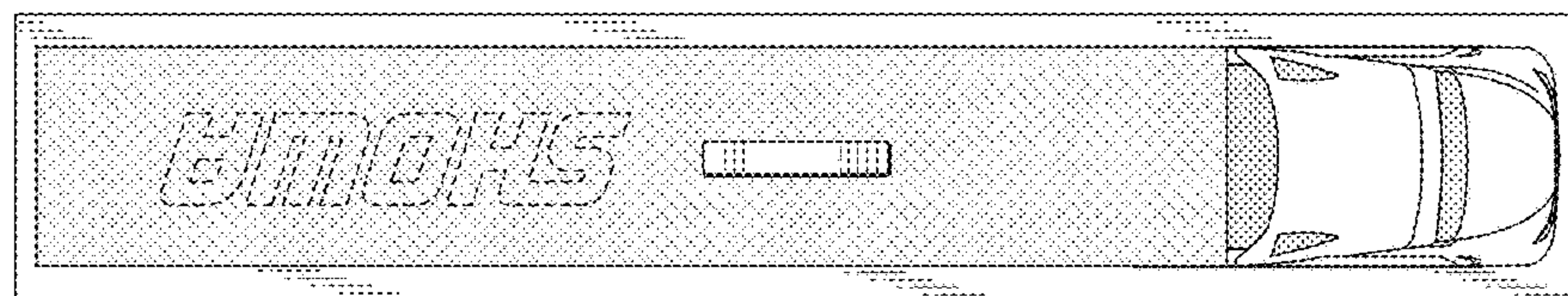


FIG. 5

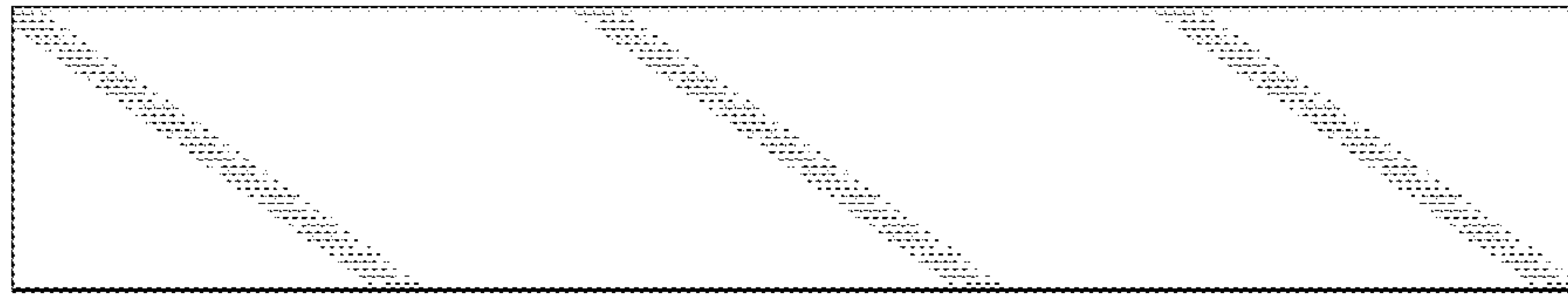


FIG. 6

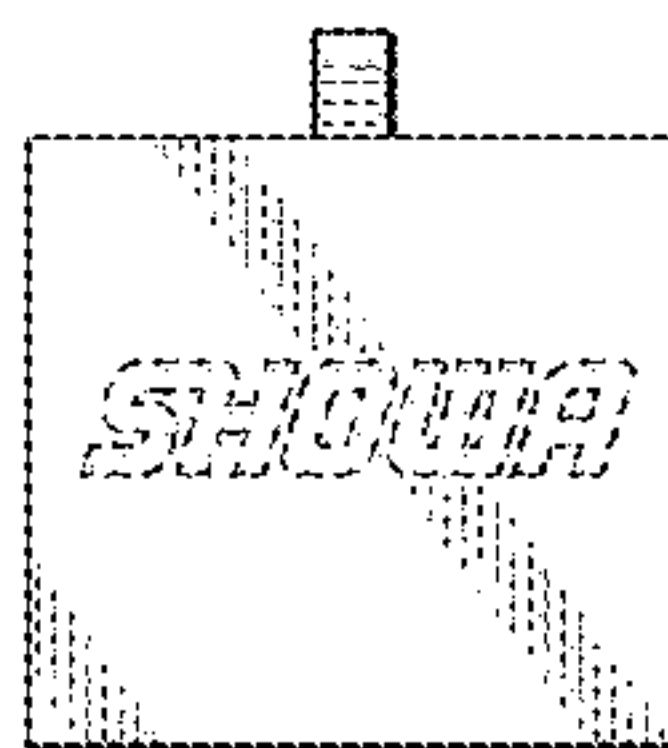


FIG. 7

