



US00D851494S

(12) **United States Design Patent** (10) **Patent No.:** **US D851,494 S**  
**Linderman et al.** (45) **Date of Patent:** **\*\* Jun. 18, 2019**

(54) <b>BOTTLE</b>	4,174,783 A * 11/1979 Abe .....	B65D 1/0215 215/12.2
(71) Applicant: <b>The Burt's Bees Products Company,</b> Oakland, CA (US)	4,955,491 A * 9/1990 Marshall .....	B65D 1/0276 D9/500
(72) Inventors: <b>Ryan Linderman,</b> Morrisville, NC (US); <b>Sarah Whitfield,</b> Durham, NC (US)	6,543,636 B1 * 4/2003 Flecheux .....	B65D 41/08 215/329
(73) Assignee: <b>The Burt's Bees Products Company,</b> Oakland, CA (US)	D492,599 S * 7/2004 Enoki .....	D9/500
(**) Term: <b>15 Years</b>	D555,502 S * 11/2007 Fouques Du Parc .....	D9/503
(21) Appl. No.: <b>29/618,962</b>	D575,154 S * 8/2008 Andrews .....	D9/500
	D592,970 S * 5/2009 Thorpe .....	D9/630
	D622,145 S * 8/2010 Walsh .....	D9/500
	D624,417 S * 9/2010 Bentley .....	D9/500
	D655,615 S * 3/2012 Servaire .....	D9/630
	D656,033 S * 3/2012 Servaire .....	D9/630
	D682,697 S * 5/2013 Gonzalez Rodriguez .....	B65D 41/08 D9/500

(Continued)

*Primary Examiner* — Sandra L Morris  
(74) *Attorney, Agent, or Firm* — Ann Lee

(22) Filed: **Sep. 26, 2017**

**Related U.S. Application Data**

(62) Division of application No. 29/508,380, filed on Nov. 5, 2014, now Pat. No. Des. 801,825.

(51) **LOC (11) Cl.** ..... **09-01**

(52) **U.S. Cl.**  
USPC ..... **D9/630; D9/500**

(58) **Field of Classification Search**  
USPC ..... D3/270, 271.1–271.4; D7/509–511,  
D7/514–521, 529, 594, 599, 604, 613,  
D7/619.2, 623, 628; D9/600, 649, 667,  
D9/500–505, 516, 520, 537–546,  
D9/549–558, 764; 206/457, 459.5, 527;  
215/381–384, 400  
CPC .... B65D 5/4258; B65D 81/60; B65D 81/365;  
B65D 81/366; B65D 81/368; B65D  
2203/00; B65D 2203/02; B65D 5/42;  
B65D 77/00; A63H 33/16  
See application file for complete search history.

(57) **CLAIM**

The ornamental design for a bottle, as shown and described.

**DESCRIPTION**

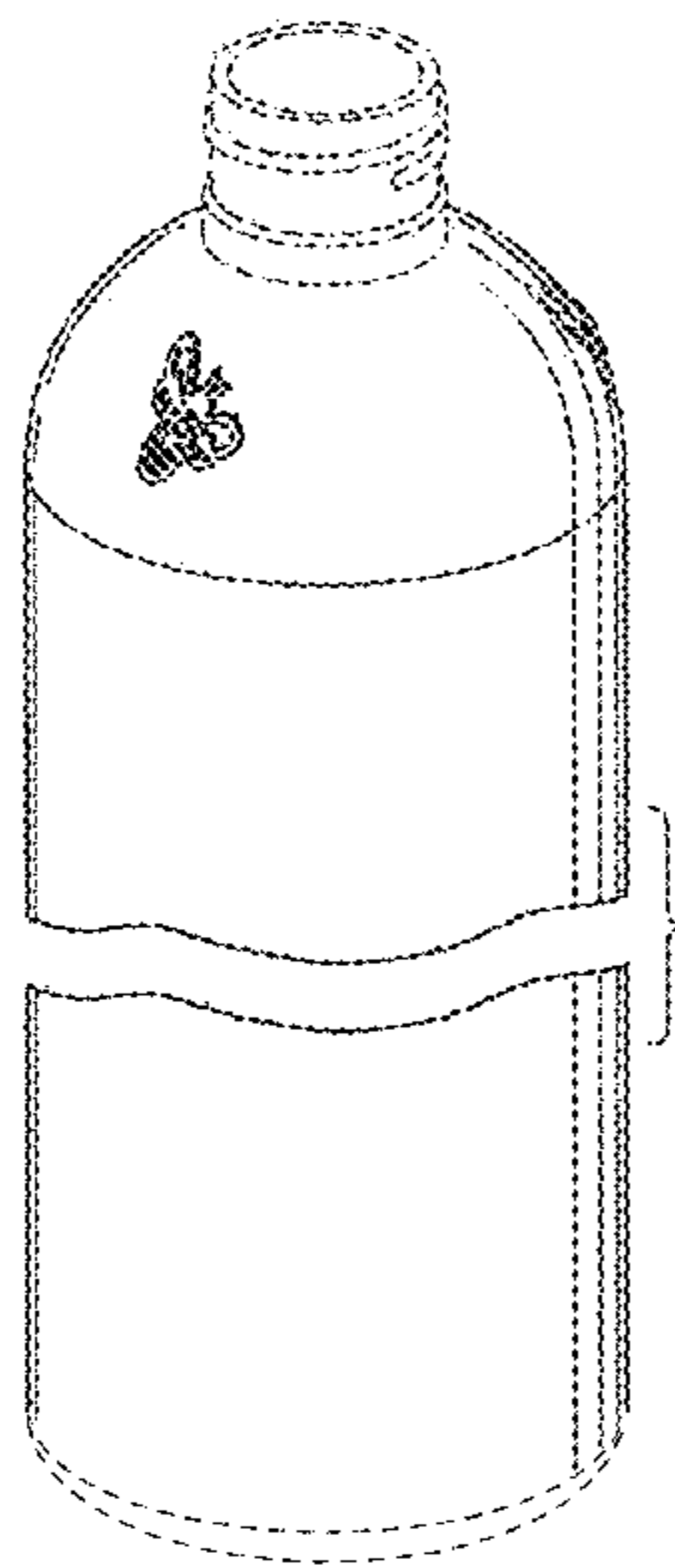
FIG. 1 is a front perspective view of a bottle showing our new design;  
FIG. 2 is a top plan view of FIG. 1;  
FIG. 3 is a bottom plan view of FIG. 1;  
FIG. 4 is a front elevational view of FIG. 1;  
FIG. 5 is a rear elevational view of FIG. 1;  
FIG. 6 is a left side elevational view of FIG. 1; and,  
FIG. 7 is a right side elevational view of FIG. 1.  
The broken lines showing environmental structure are for illustrative purposes only and form no part of the claimed design. The bottle is shown with a symbolic break in its length. The area between the break lines forms no part of the claimed design.

**1 Claim, 2 Drawing Sheets**

(56) **References Cited**

U.S. PATENT DOCUMENTS

D94,984 S \* 3/1935 Noble ..... D9/630  
D122,058 S \* 8/1940 Niver ..... D9/500



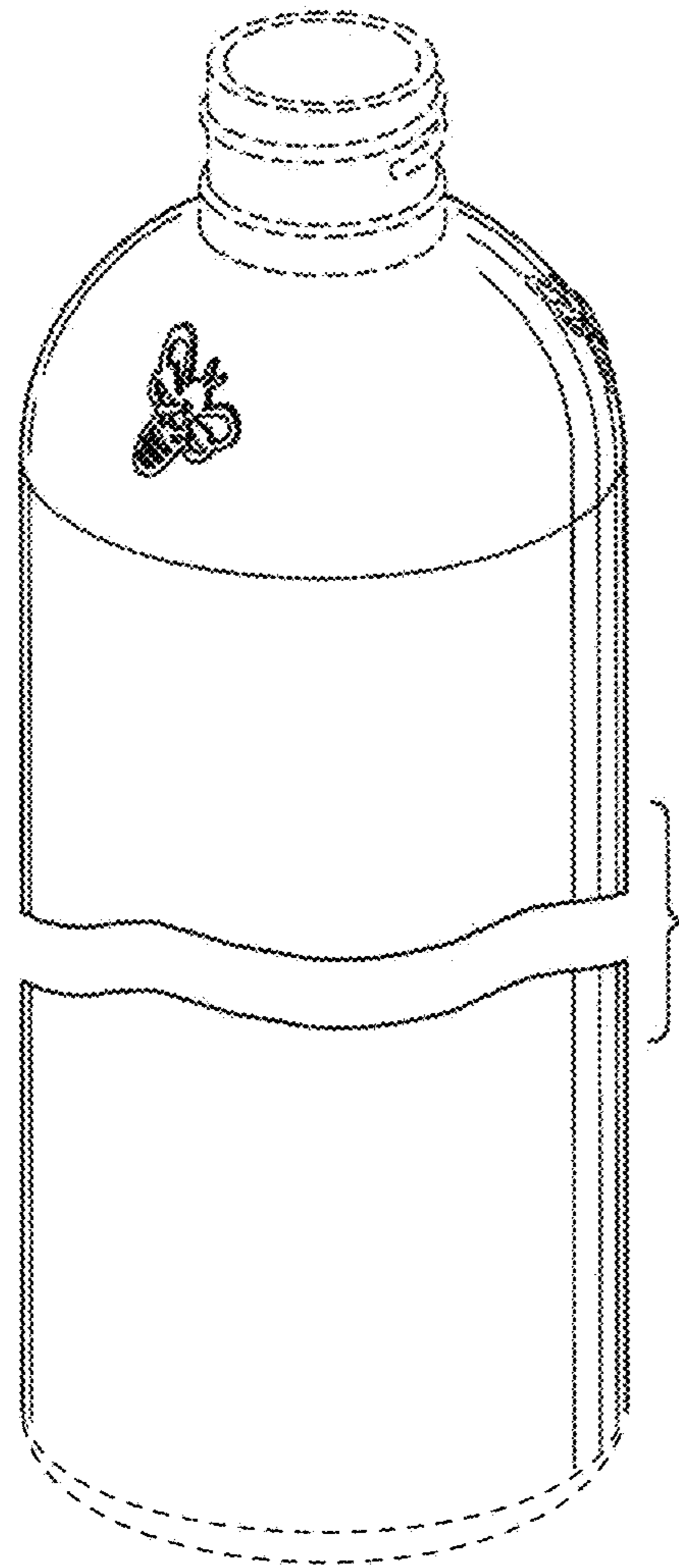
(56)

**References Cited**

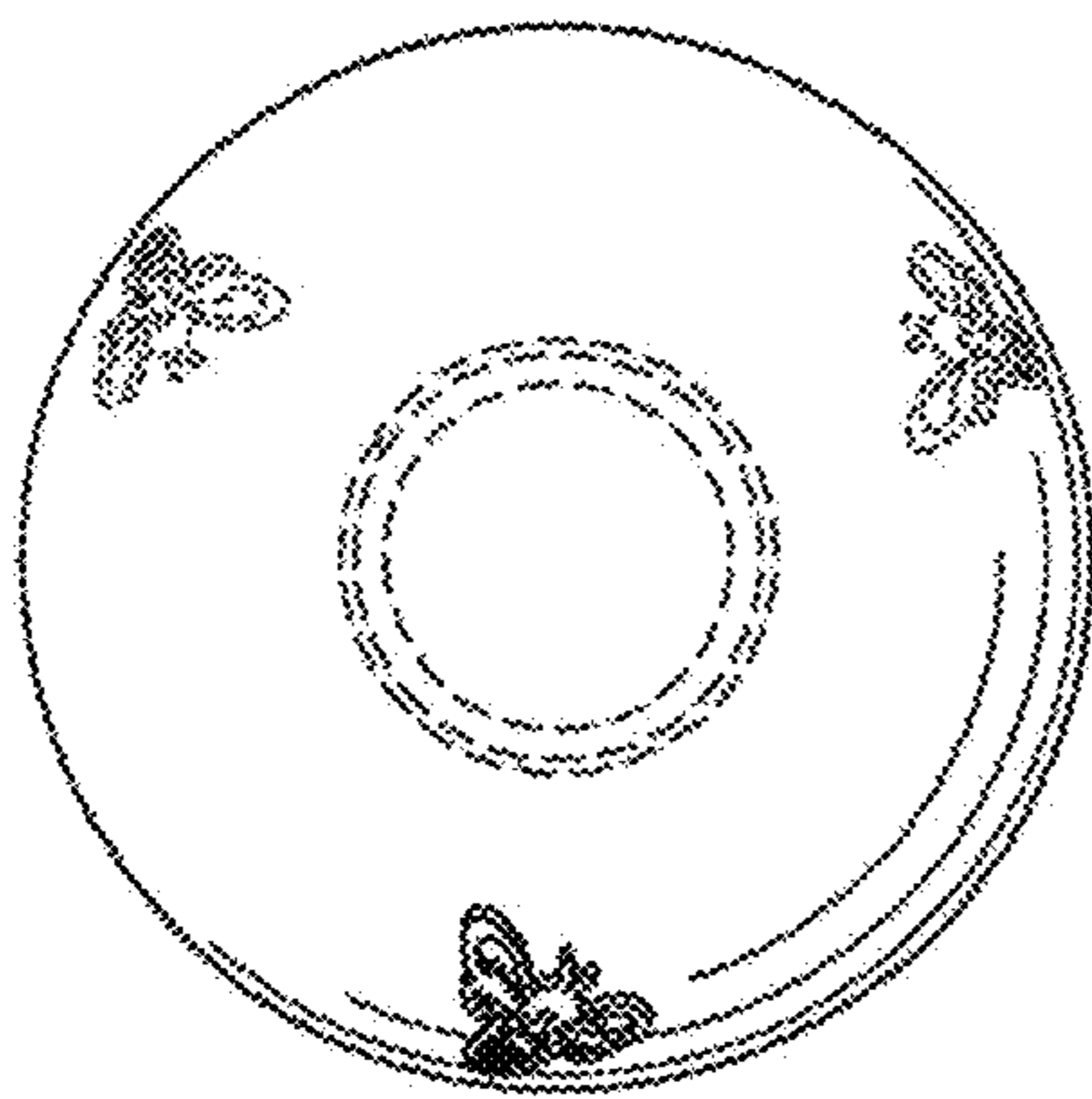
U.S. PATENT DOCUMENTS

D683,225 S \* 5/2013 Servaire ..... B65D 1/0276  
D9/504  
D696,138 S 12/2013 Curbet  
D696,951 S 1/2014 Tanaka et al.  
D697,407 S \* 1/2014 Hines ..... B65D 1/0215  
D9/500  
D697,419 S 1/2014 Gieske  
D698,258 S 1/2014 Beverly  
D701,770 S 4/2014 Hamill  
D702,553 S \* 4/2014 Jentzsch ..... D9/500  
D704,068 S 5/2014 Robin-Prevallee et al.  
D785,455 S \* 5/2017 James ..... D9/503

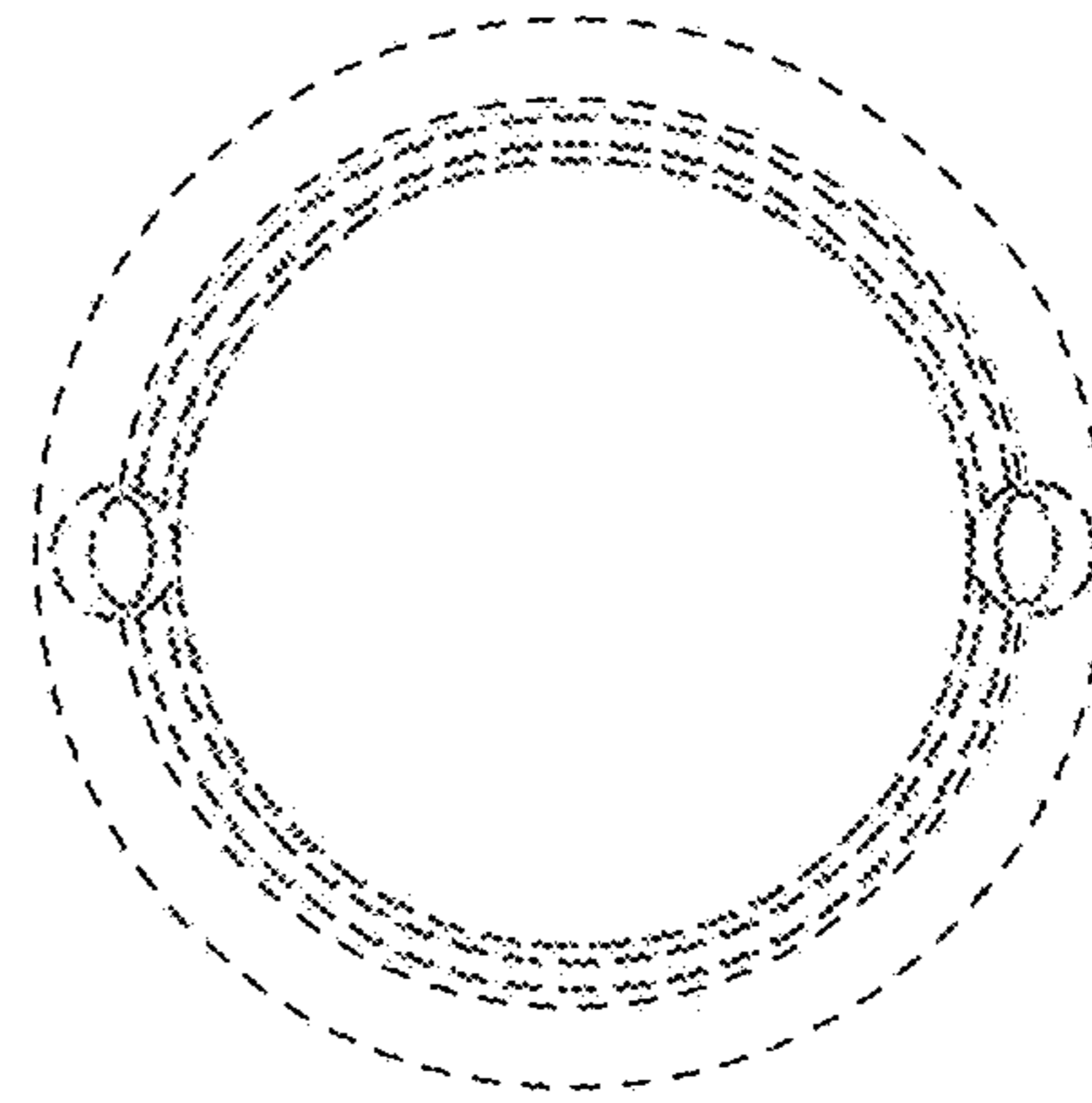
\* cited by examiner



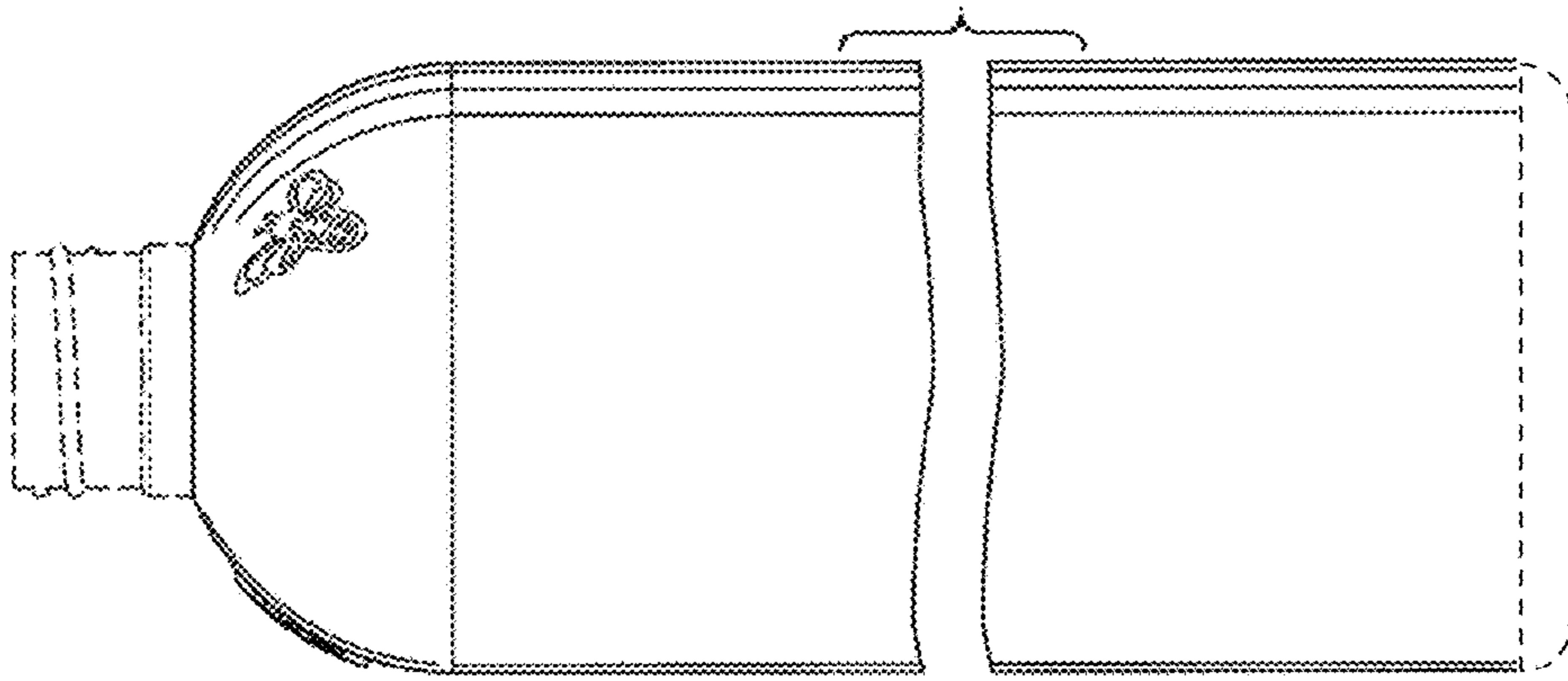
*FIG. 1*



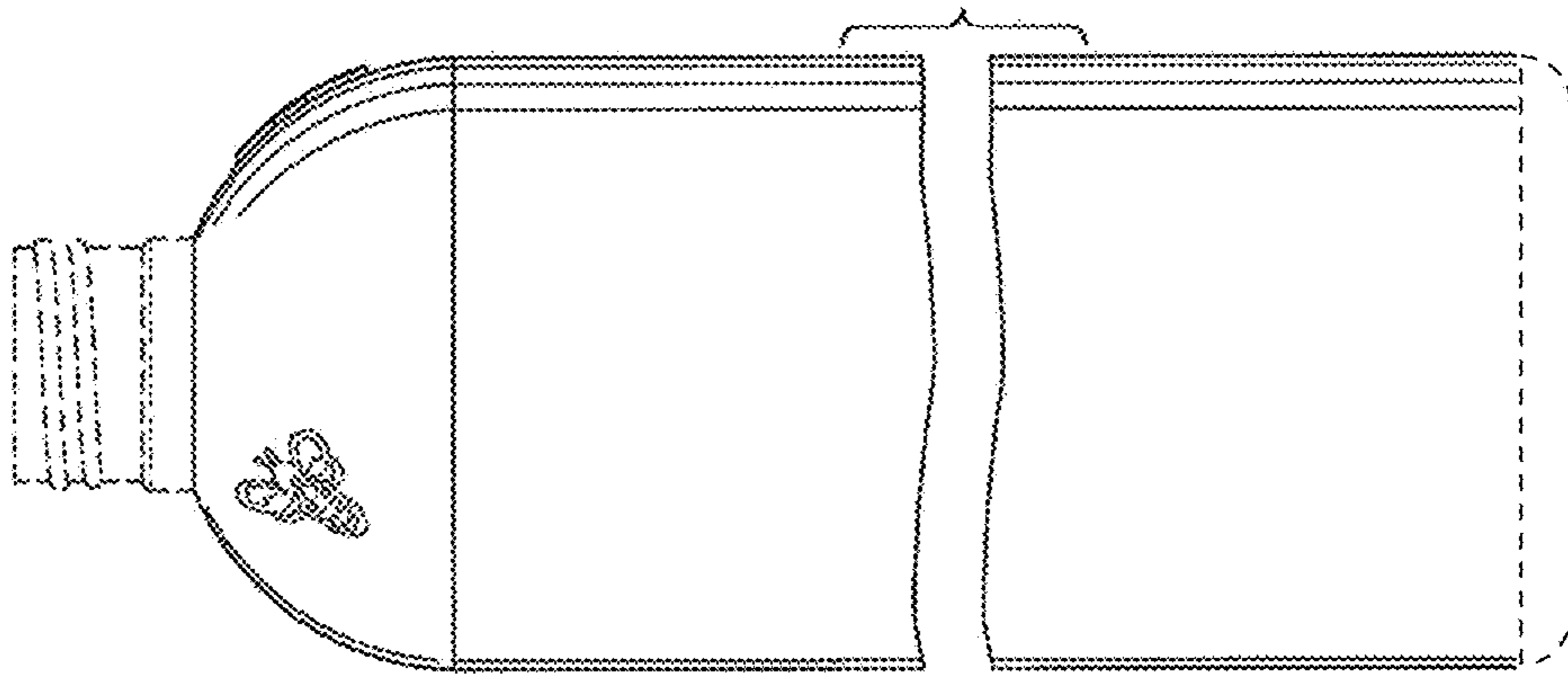
*FIG. 2*



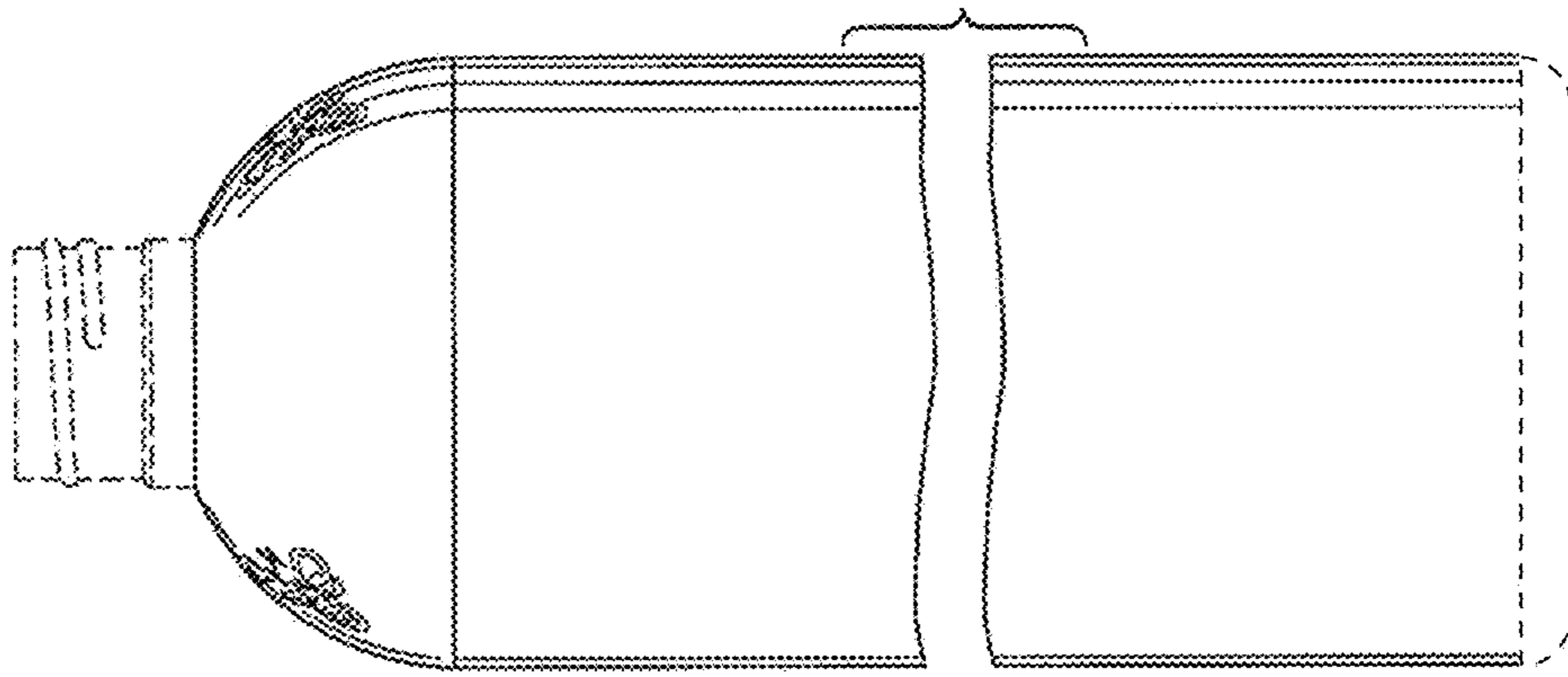
*FIG. 3*



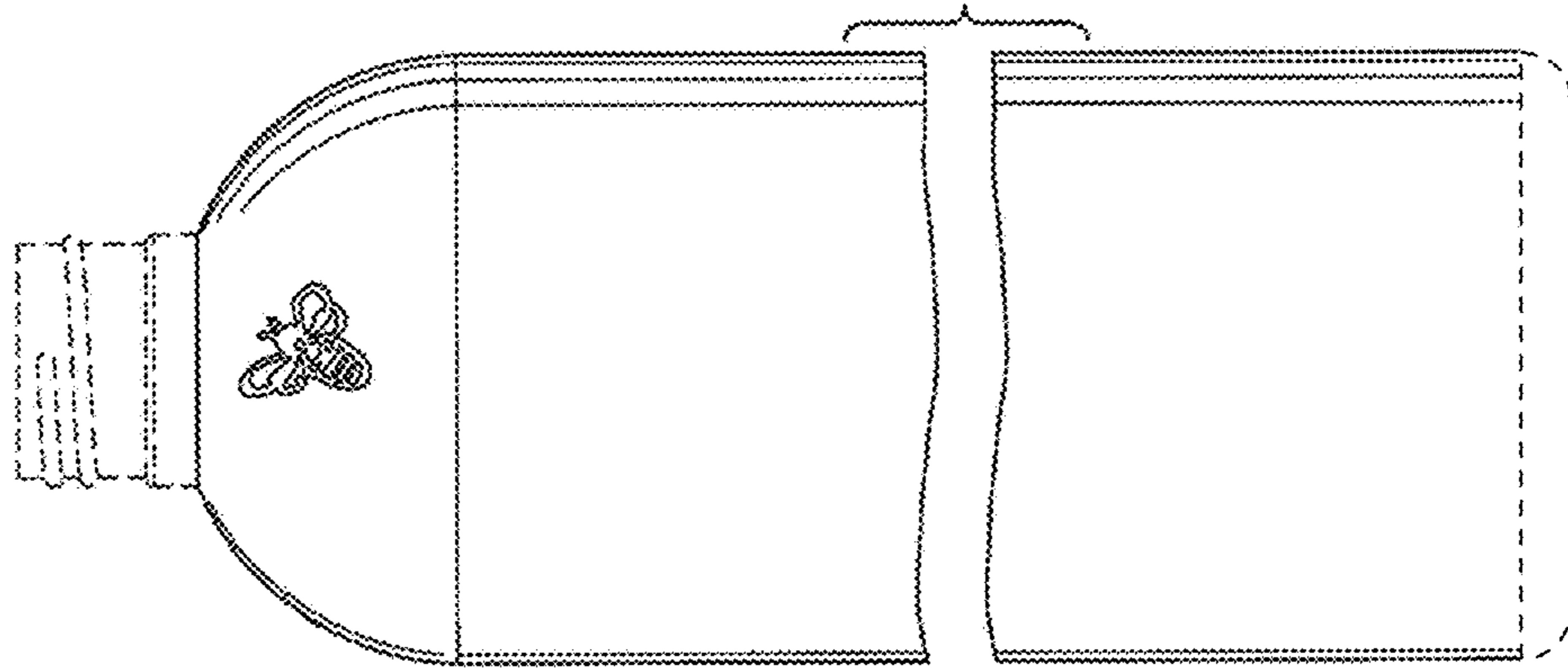
**FIG. 4**



**FIG. 5**



**FIG. 6**



**FIG. 7**