



US00D851492S

(12) **United States Design Patent**
Phillips et al.

(10) **Patent No.:** **US D851,492 S**
(45) **Date of Patent:** **** Jun. 18, 2019**

(54) **BOTTLE**

(71) Applicant: **Castrol Limited**, Pangbourne (GB)

(72) Inventors: **Jason Phillips**, Cincinnati, OH (US);
Richard Currie, Worcester (GB)

(73) Assignee: **Castrol Limited**, Pangbourne (GB)

(**) Term: **15 Years**

(21) Appl. No.: **29/612,191**

(22) Filed: **Jul. 29, 2017**

(30) **Foreign Application Priority Data**

Jan. 31, 2017 (EM) 003733468-0001

(51) **LOC (11) Cl.** **09-01**

(52) **U.S. Cl.**
USPC **D9/533; D9/542**

(58) **Field of Classification Search**

USPC D9/516, 520, 522, 523, 528, 530, 531,
D9/533, 538, 539, 541-546, 549, 560,
D9/563, 565-569, 575, 715, 719;
D7/300, 598

CPC B65D 81/00; B65D 1/02; B65D 1/0207;
B65D 1/0223; B65D 1/0284; B65D
2501/0027

See application file for complete search history.

(56) **References Cited**

U.S. PATENT DOCUMENTS

D258,490 S * 3/1981 Stumler D9/520
D326,228 S * 5/1992 Stratford D24/224

D419,076 S * 1/2000 Dull D9/533
D434,329 S * 11/2000 Vultaggio D9/533
D436,376 S * 1/2001 Regan D19/66
D457,438 S * 5/2002 Cooper D9/533
D461,719 S * 8/2002 Nicodemus D9/533
D475,629 S * 6/2003 Schlueter D9/533
D517,413 S * 3/2006 Murphy D9/522
D528,922 S * 9/2006 Desico D9/533
D605,052 S * 12/2009 McMullen D9/516
D690,203 S * 9/2013 Hall D9/533
D791,599 S * 7/2017 Morton D9/533

* cited by examiner

Primary Examiner — Ian Simmons

Assistant Examiner — Keith Frank

(74) *Attorney, Agent, or Firm* — McDonnell Boehnen
Hulbert & Berghoff LLP

(57) **CLAIM**

The ornamental design for a bottle, as shown and described.

DESCRIPTION

FIG. 1 is a perspective view of a bottle showing my new design;

FIG. 2 is a front view thereof;

FIG. 3 is a rear view thereof;

FIG. 4 is a left side view thereof;

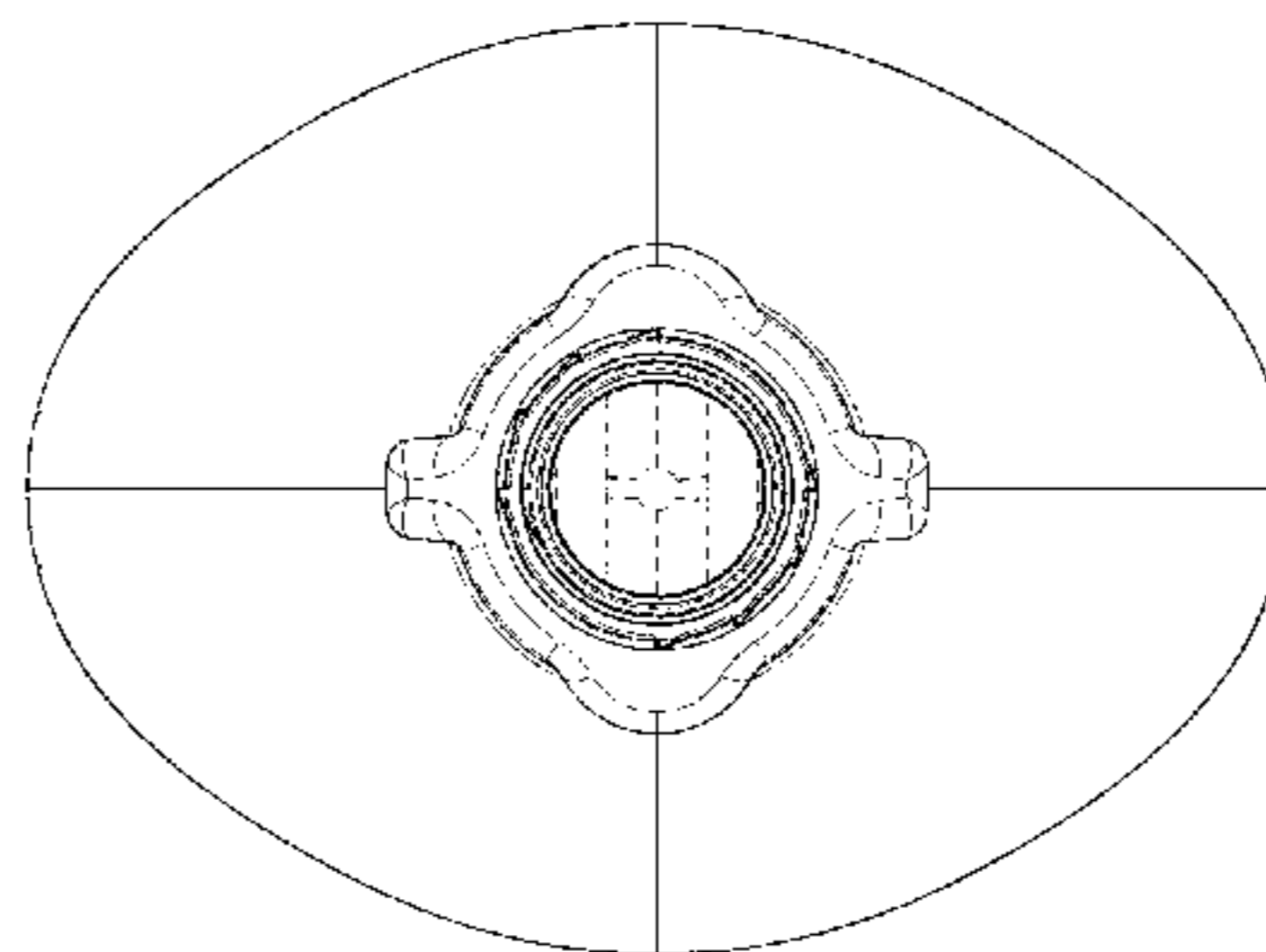
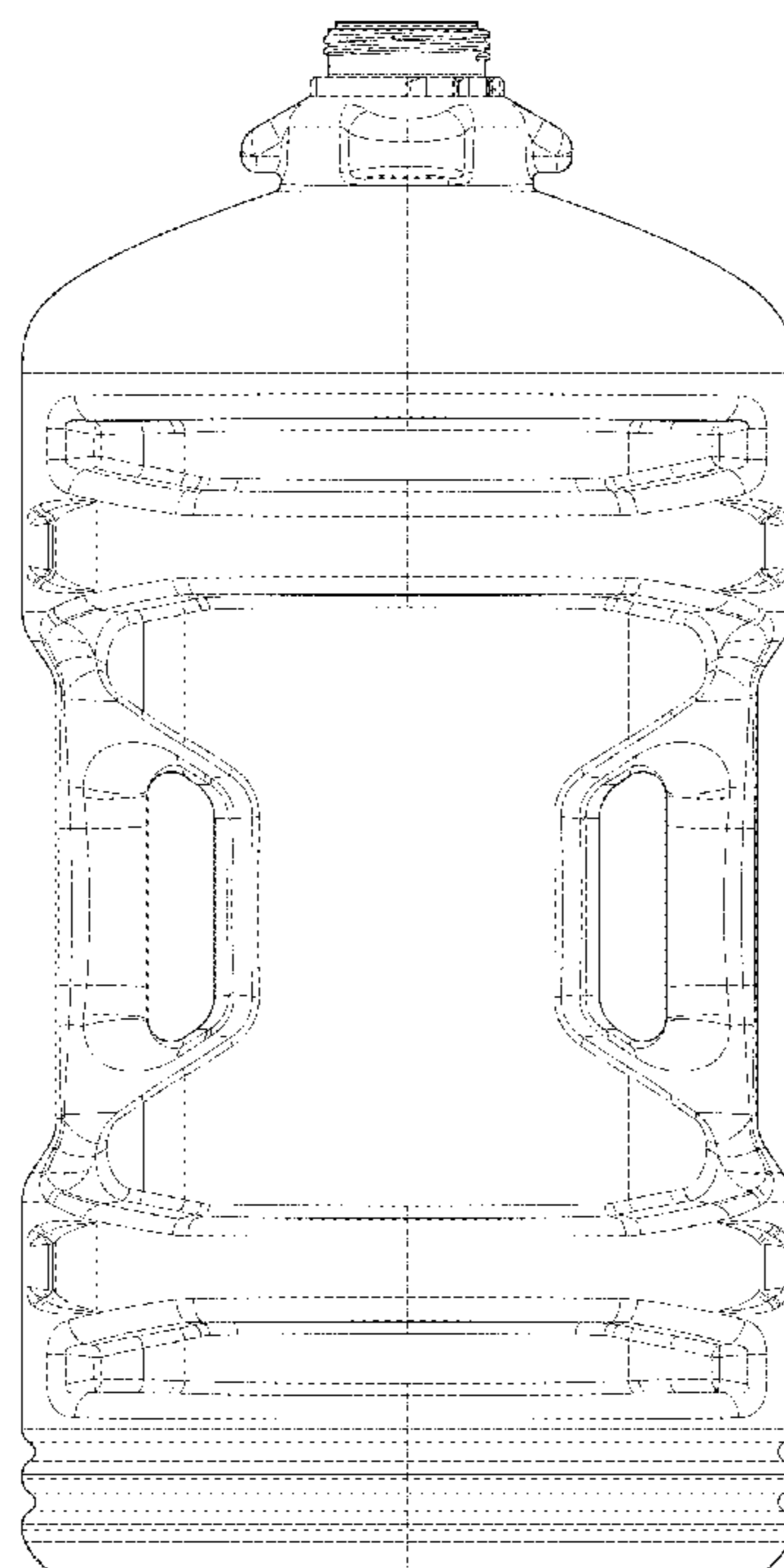
FIG. 5 is a right side view thereof;

FIG. 6 is a top view thereof; and,

FIG. 7 is a bottom view thereof.

The broken lines in the drawings illustrate portions of the bottle that form no part of the claimed design. The dot-dash-dot broken lines define the bounds of the claimed design and form no part thereof.

1 Claim, 7 Drawing Sheets



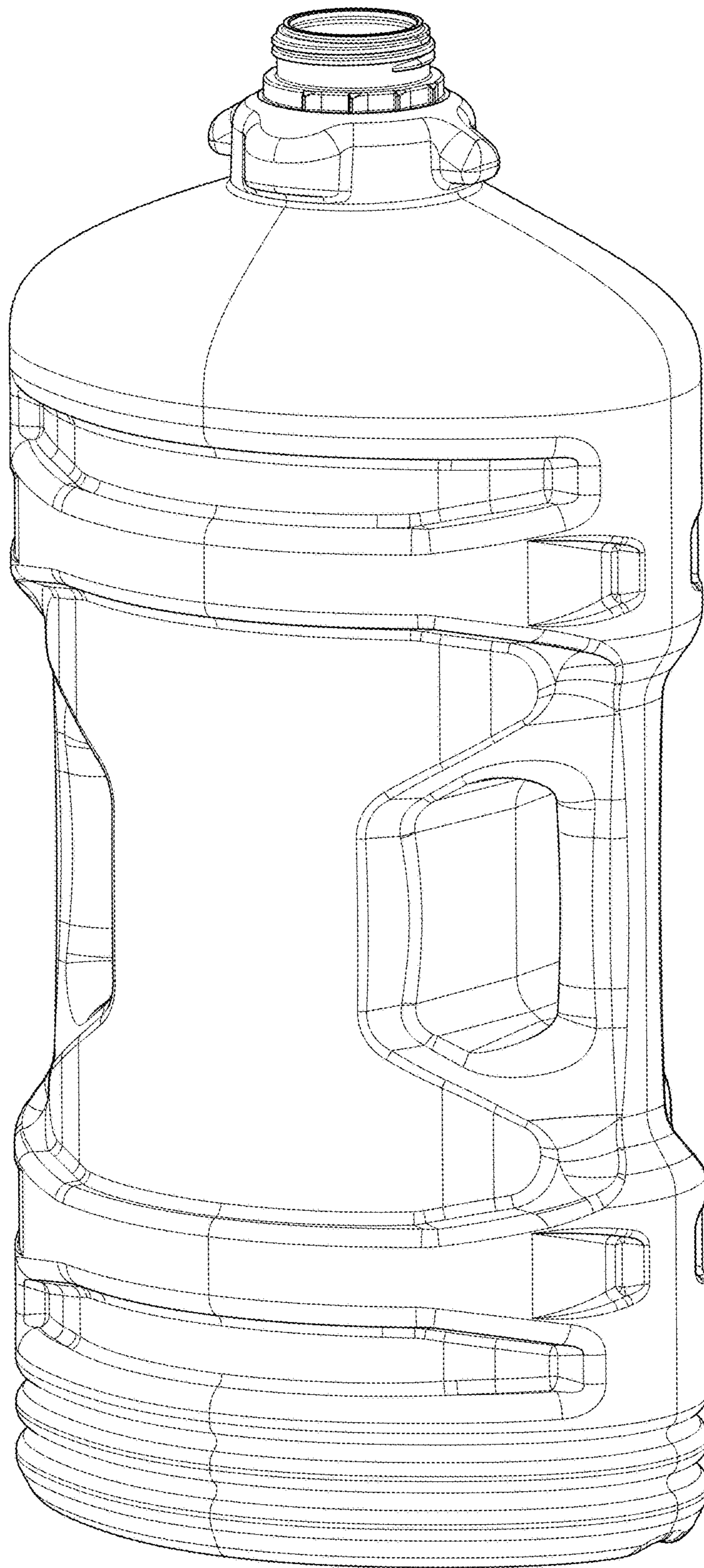


FIG. 1

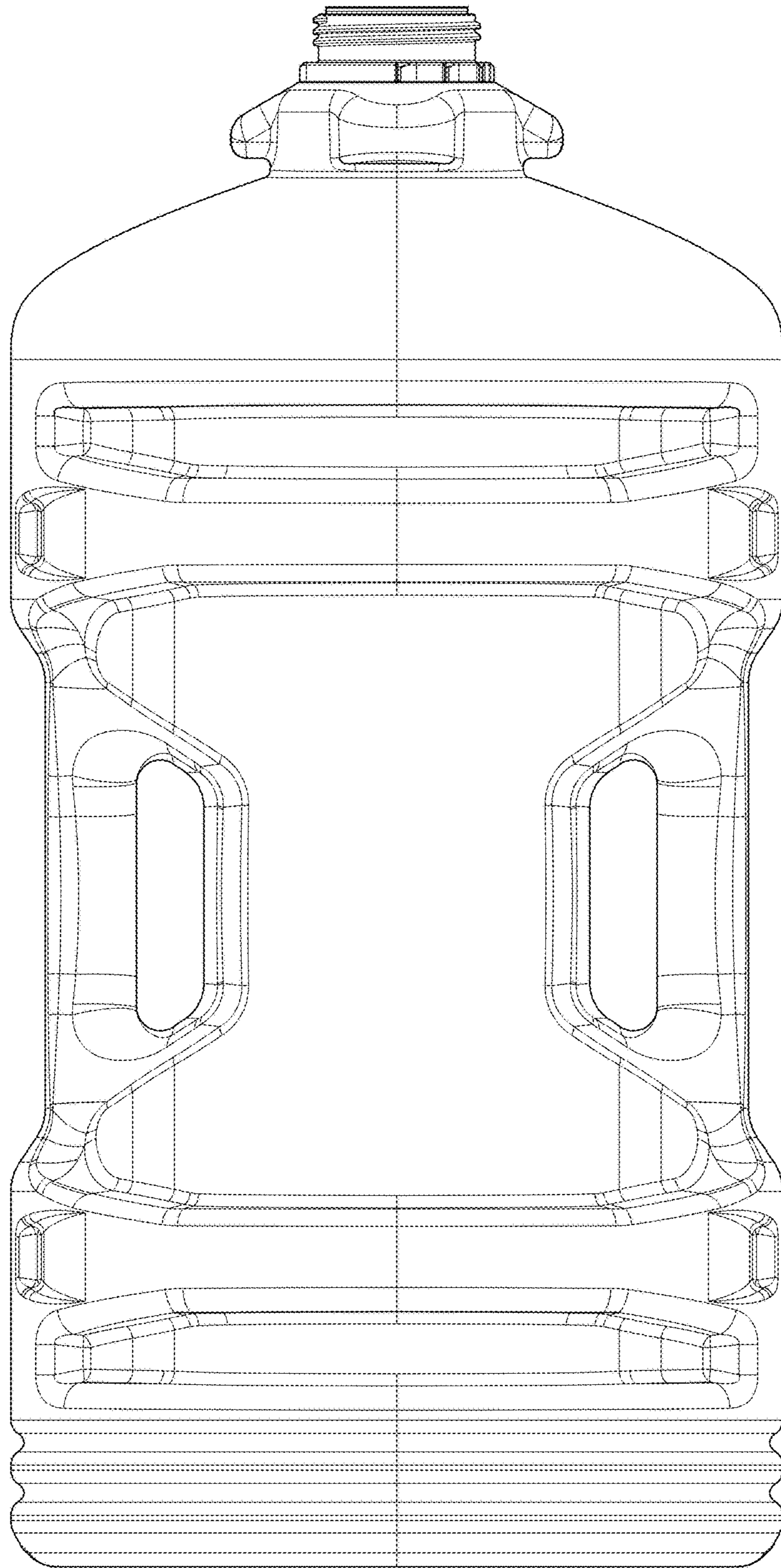


FIG. 2

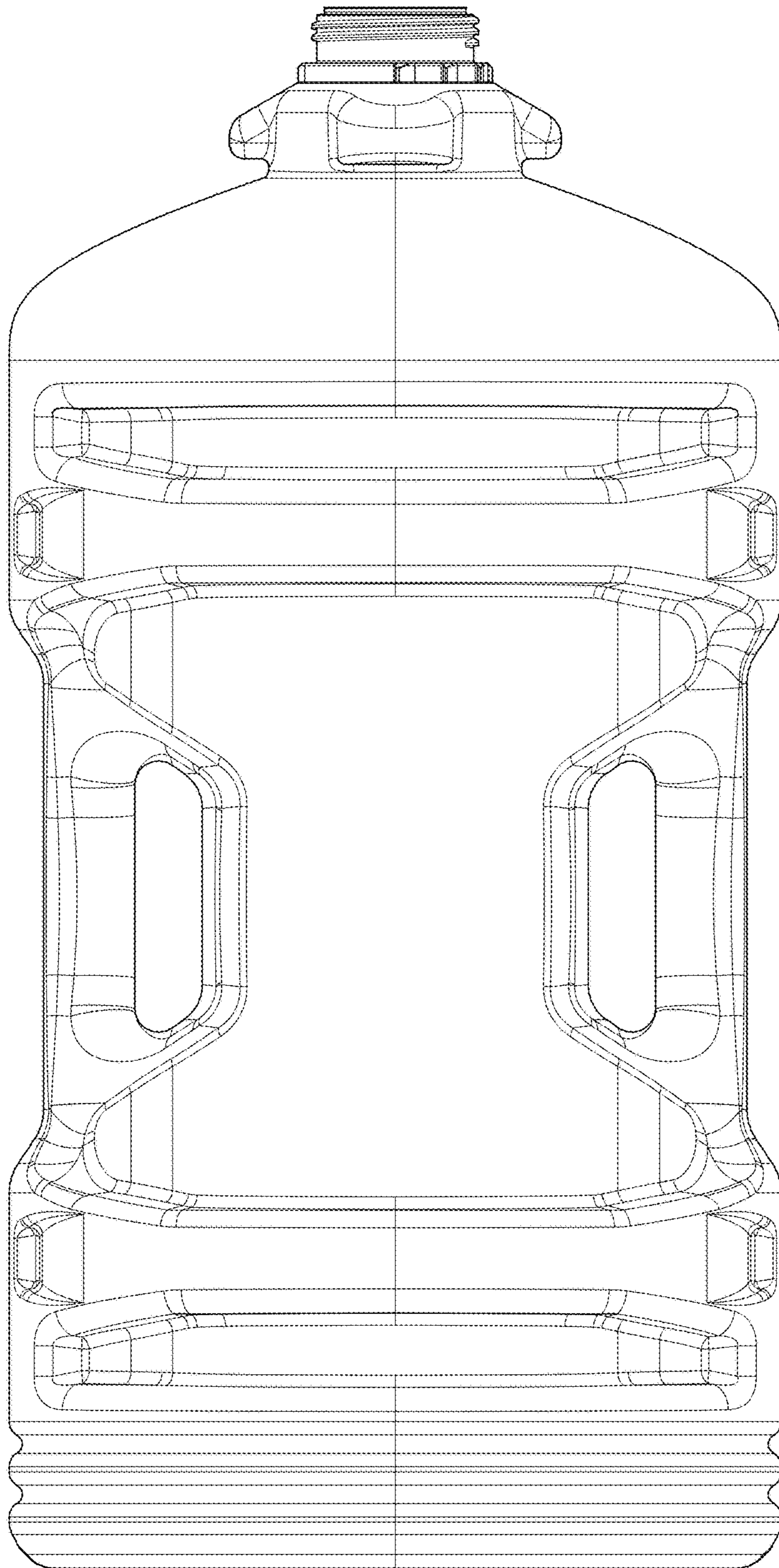


FIG. 3

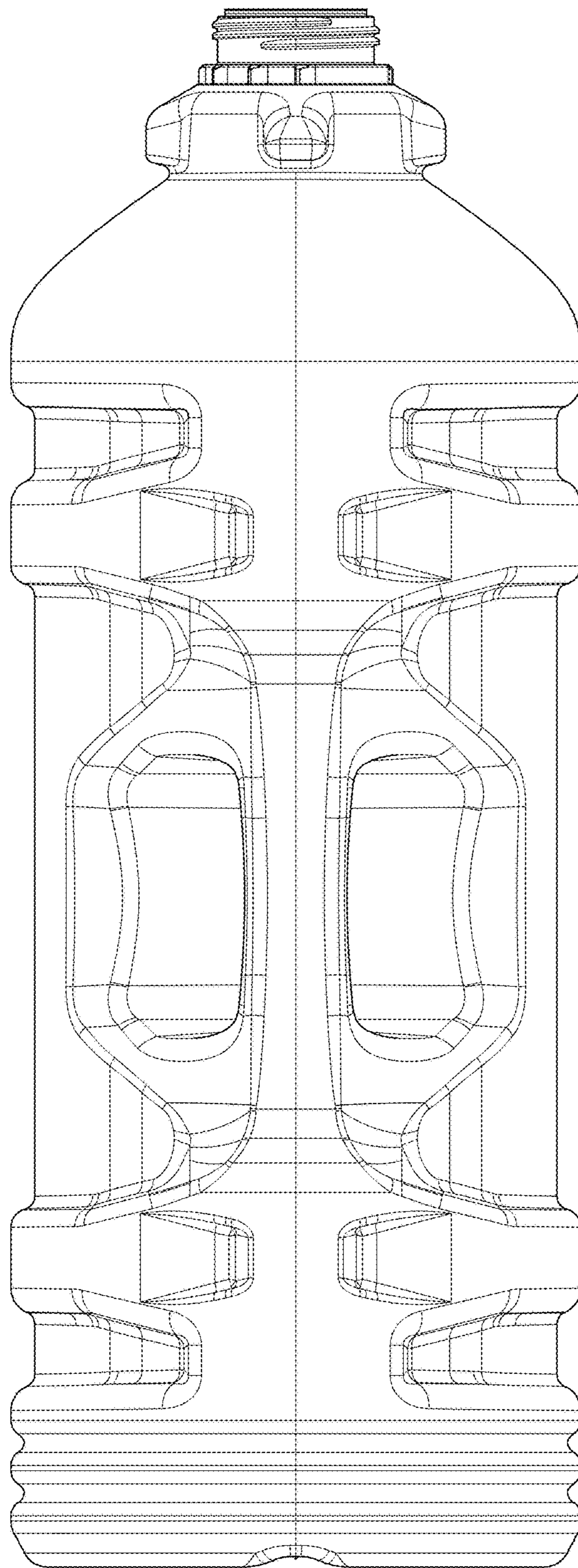


FIG. 4

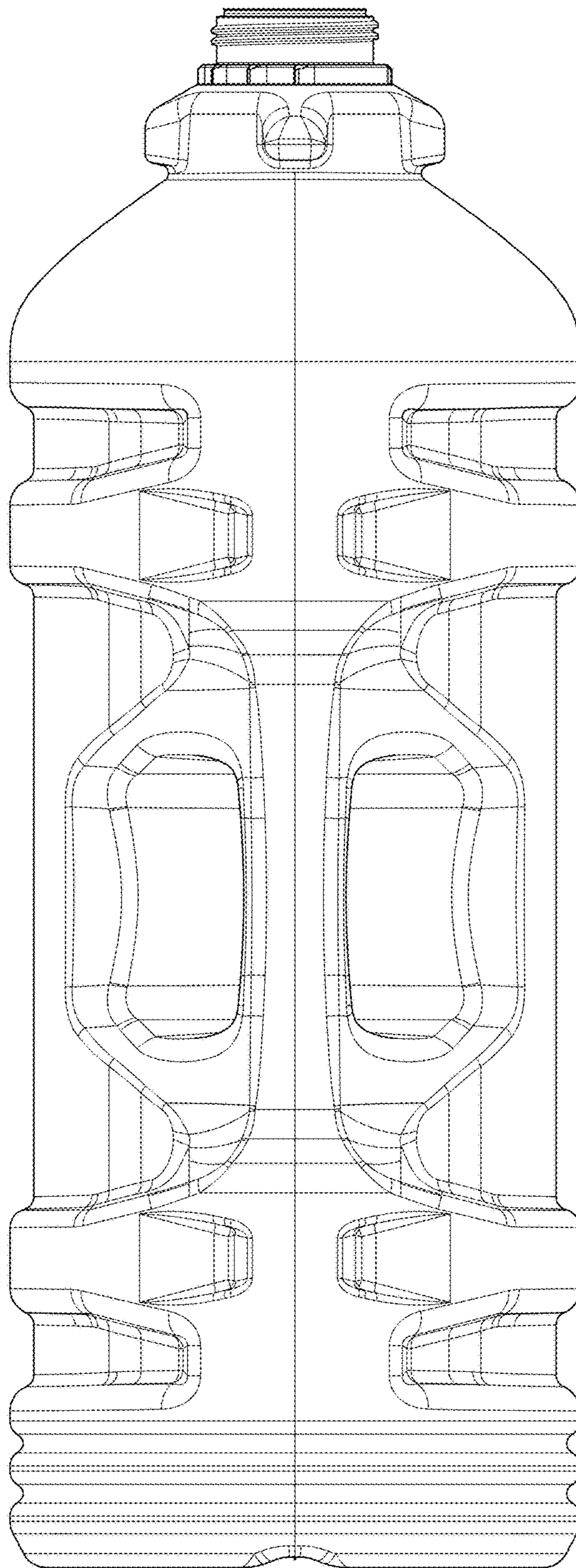


FIG. 5

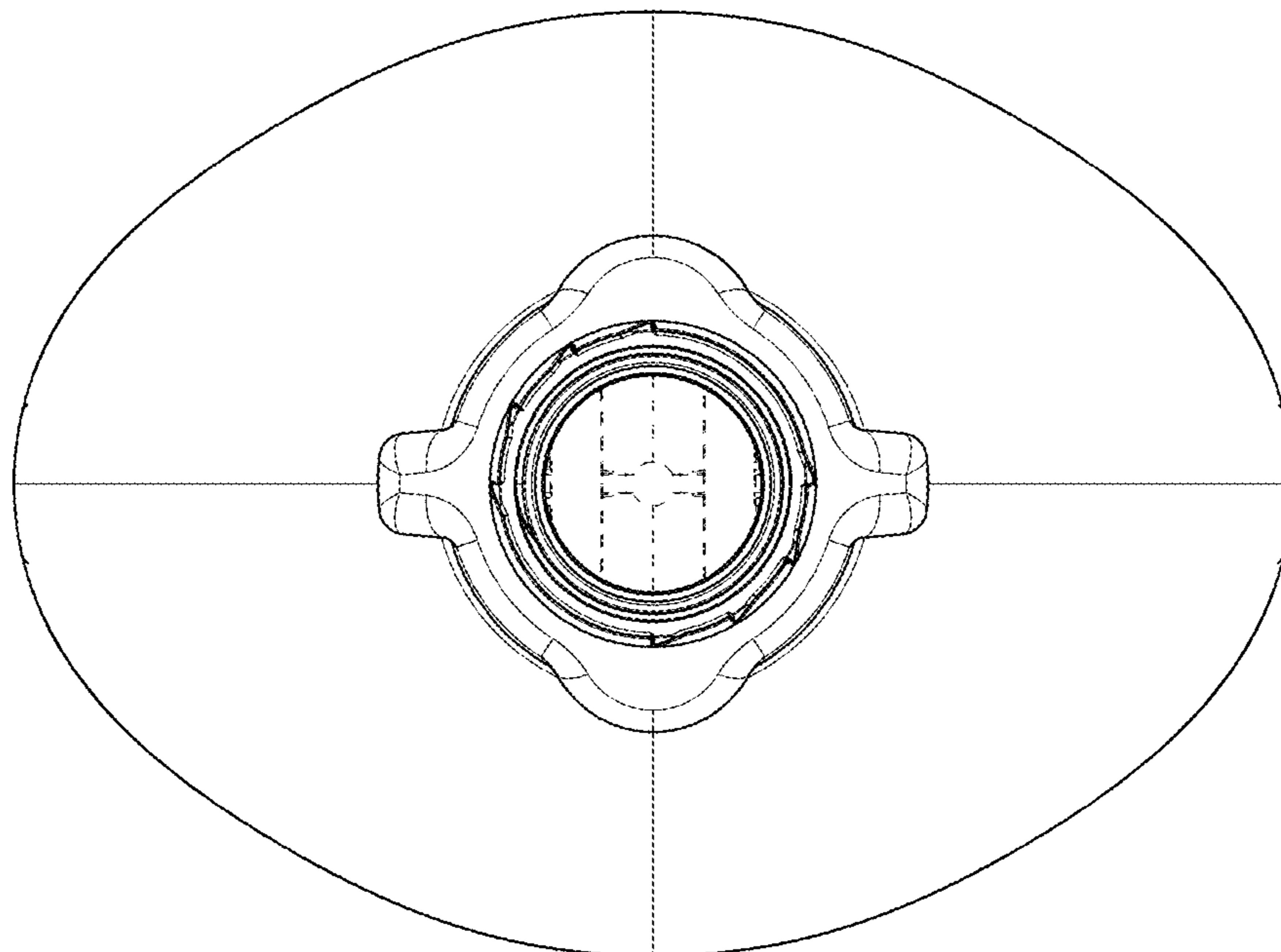


FIG. 6

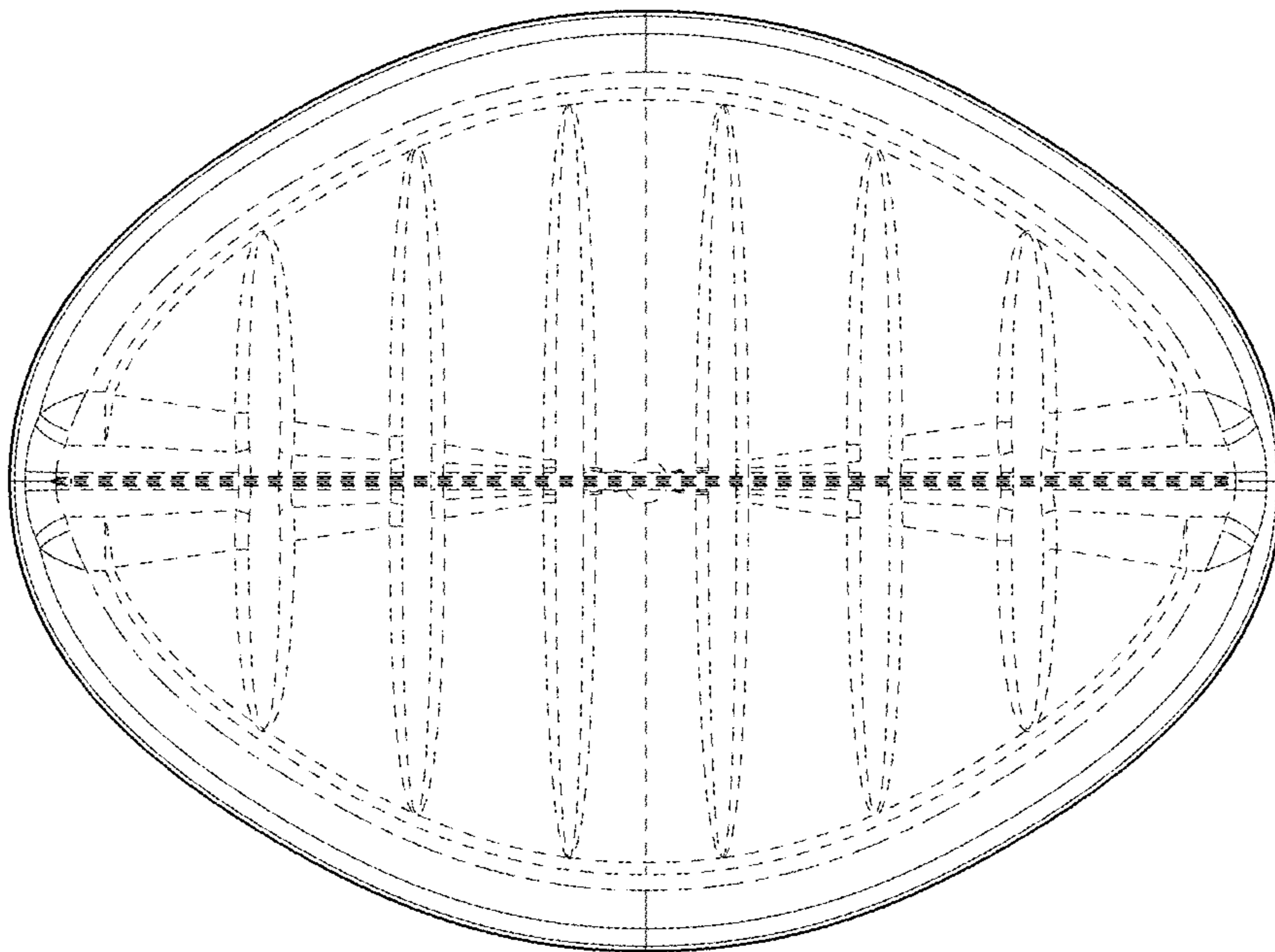


FIG. 7