



US00D851488S

(12) **United States Design Patent**
Tartock et al.

(10) **Patent No.:** **US D851,488 S**
(45) **Date of Patent:** **** Jun. 18, 2019**

(54) **CLOSURE**

- (71) Applicant: **Closure Systems International Inc.**,
Lake Forest, IL (US)
- (72) Inventors: **Russell Lewis Tartock**, Crawfordsville,
IN (US); **Larry Holmes**, Fishers, IN
(US)
- (73) Assignee: **Closure Systems International Inc.**,
Lake Forest, IL (US)
- (**) Term: **15 Years**
- (21) Appl. No.: **29/594,645**

- (22) Filed: **Feb. 21, 2017**
- (51) **LOC (11) Cl.** **09-07**
- (52) **U.S. Cl.**
USPC **D9/454**

- (58) **Field of Classification Search**
USPC D3/27, 90, 202, 318; D6/349, 355, 702;
D8/300, 310, 311, 312, 315, 339, 349,
D8/402, 446, 447, 449, 453, 529;
D9/414-435, 438, 440, 445, 446, 447,
D9/449, 499, 453, 454, 516, 529, 686,
D9/688, 723, 724, 763, 772; D19/162,
D19/163, 164, 165, 192, 194; D23/249,
D23/259, 260, 261; D7/300, 300.1, 313,
D7/314, 316, 387, 391, 392.1, 393, 396.1,
D7/396.2, 396, 397, 398, 401.1, 509, 510,
D7/511, 523, 526, 538, 602, 619.1, 900
CPC . B65D 23/00; B65D 1/00; B65D 1/02; B65D
1/0223; B65D 51/1694; B65D 43/0212;
B65D 43/0208; B65D 43/26; B65D
47/122; B65D 77/24; B65D 5/00-02;
B65D 5/0209-0272; B65D 5/029; B65D
5/40; B65D 5/72; B65D

(Continued)

(56) **References Cited**

U.S. PATENT DOCUMENTS

- D209,789 S * 1/1968 Huston D9/435
- D286,026 S * 10/1986 Rayner D9/435

(Continued)

OTHER PUBLICATIONS

GoJars 4 oz Food Grade Hexagon Glass Jar: Announced Aug. 13, 2016 [online]. Site Visited Apr. 12, 2018. Available from Internet URL: https://www.amazon.com/GoJars-Premium-Food-Grade-Hexagon-Wedding/dp/B01J91OV7I/ref=cm_cr_arp_d_product_top?ie=UTF8.*

(Continued)

Primary Examiner — Jennifer Rivard
Assistant Examiner — Catherine S Posthauer
(74) *Attorney, Agent, or Firm* — Nixon Peabody LLP

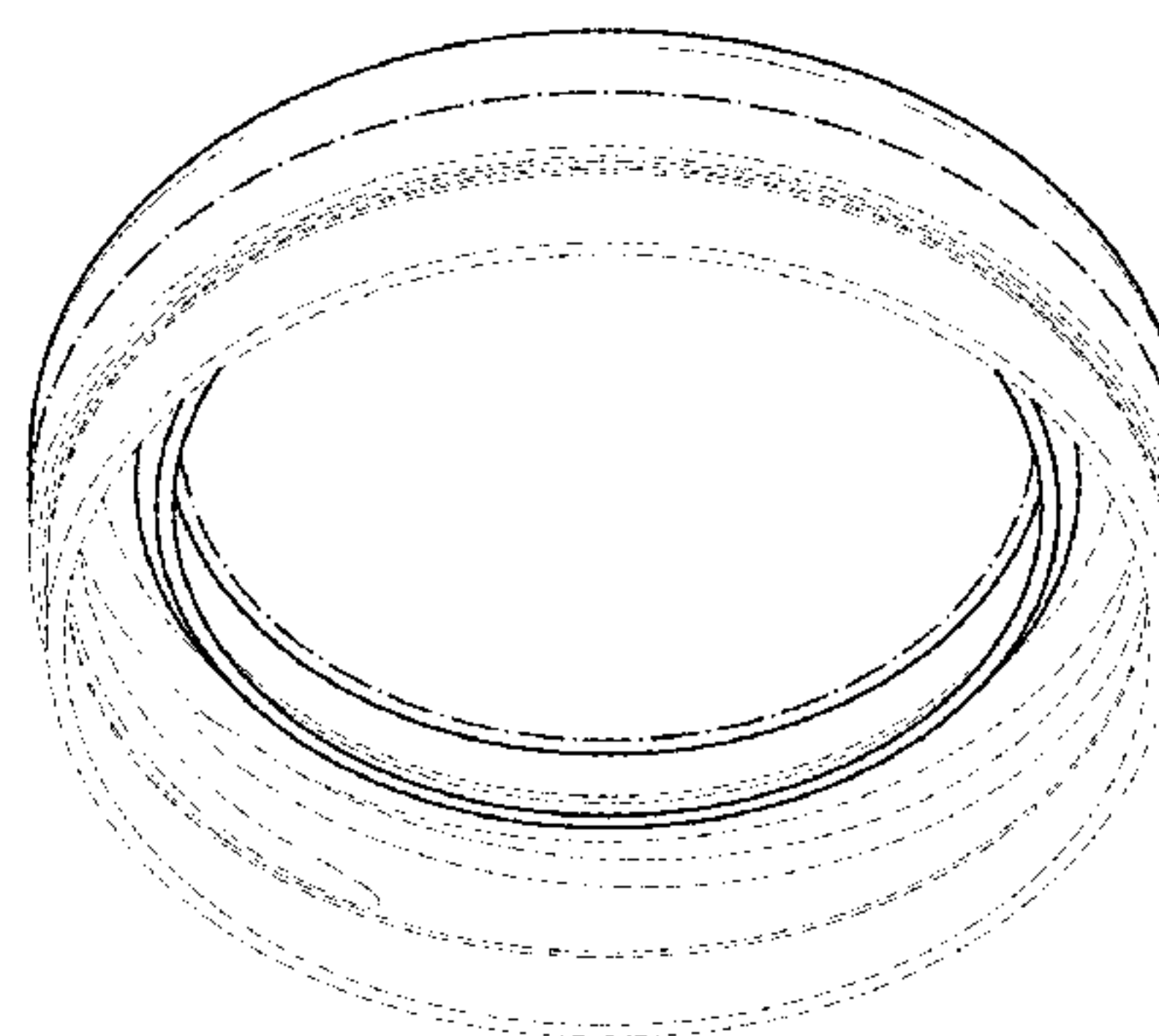
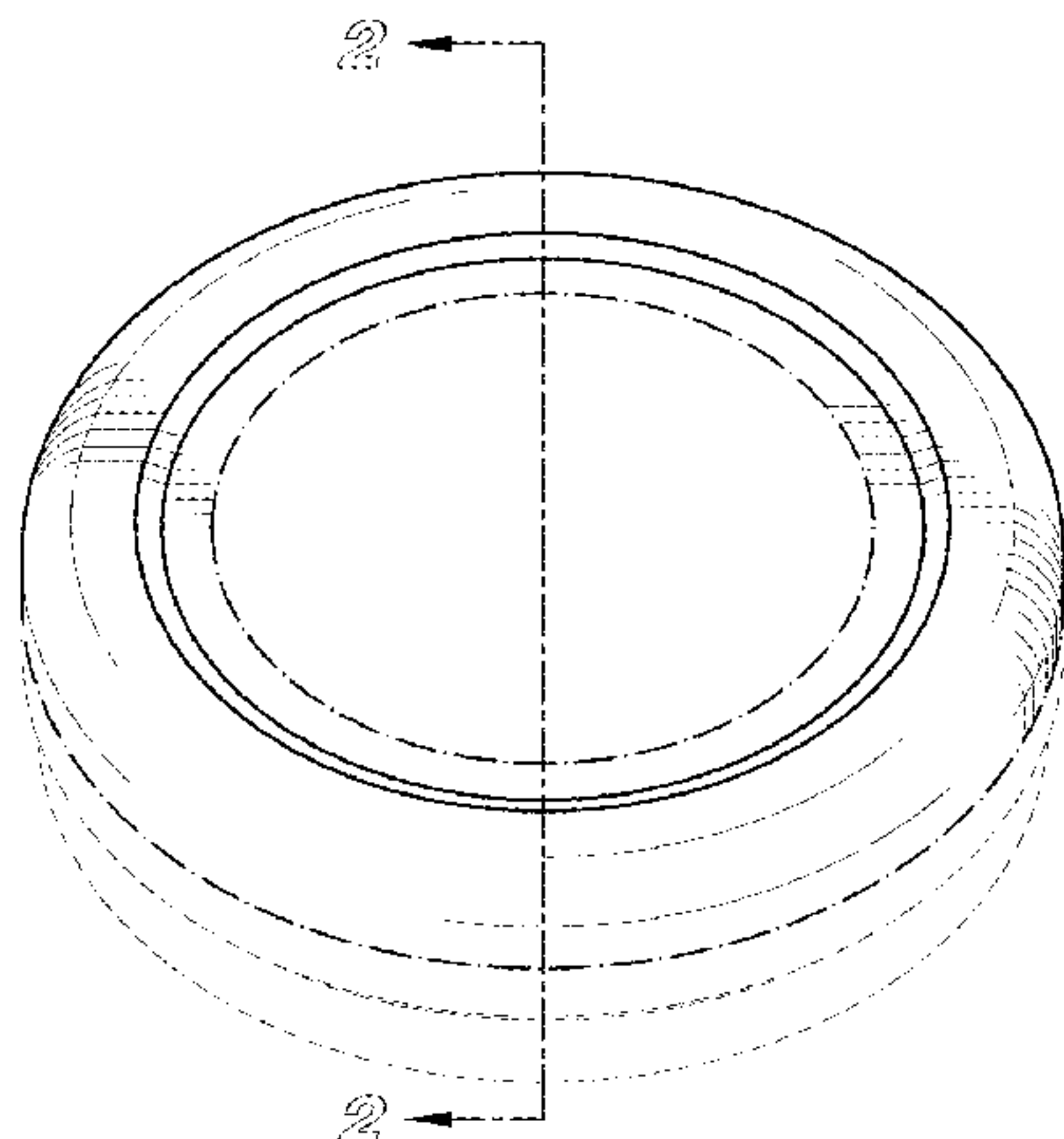
(57) **CLAIM**

The ornamental design for a closure, as shown and described.

DESCRIPTION

FIG. 1 is a top-perspective view of a closure;
FIG. 2 is a side cross-sectional view of the closure, taken in the direction of line 2-2 on FIG. 1;
FIG. 3 is a bottom-perspective view of the closure of FIG. 1;
FIG. 4 is a top plan view of the closure of FIG. 1;
FIG. 5 is a left side elevation view of the closure of FIG. 1;
FIG. 6 is a right side elevation view of the closure of FIG. 1;
FIG. 7 is a front elevation view of the closure of FIG. 1;
FIG. 8 is a back elevation view of the closure of FIG. 1; and,
FIG. 9 is a bottom plan view of the closure of FIG. 1.
The evenly broken lines are shown for the purpose of illustrating parts of the article that form no part of the claim. The dash-dot-dash lines represent the boundaries of the claim as well as the designation of a cross sectional view and form no part thereof.

1 Claim, 4 Drawing Sheets



(58) **Field of Classification Search**

CPC 5/541; B65D 5/705; B65D 5/706; B65D 5/727; B65D 5/4204; B65D 1/0233; B65D 1/22; B65D 1/32; B65D 1/36; B65D 1/40; B65D 1/225; B65D 23/12; B65D 23/14; B65D 2501/0008; B65D 2543/00296; B65D 15/08; B65D 65/22; B65D 2577/205; B65D 79/00; B65D 81/00; B65D 82/00; B65D 85/00; B65D 2585/00; A47J 36/027; A47F 3/14; A47G 19/2272; A47G 19/02; A61J 1/1412; A45D 40/22

See application file for complete search history.

D711,745	S	*	8/2014	Humm	D9/449
D717,651	S	*	11/2014	Marina	D9/454
D718,133	S	*	11/2014	Fraser	D9/436
D718,136	S	*	11/2014	Harrity	D9/499
D723,906	S	*	3/2015	Kato	D8/382
D727,148	S	*	4/2015	Humm	D9/449
D727,149	S	*	4/2015	Humm	D9/449
D727,731	S	*	4/2015	Humm	D9/449
D742,339	S	*	11/2015	Takagi	D13/182
D746,683	S	*	1/2016	Fahl	D9/454
D756,222	S	*	5/2016	Lopez	D23/260
D769,079	S	*	10/2016	Kotani	D7/608
9,649,254	B2	*	5/2017	Frishman	A61J 1/1412
D792,220	S	*	7/2017	Simons	D7/396.2
D799,963	S	*	10/2017	Akiyama	D9/454
2011/0006060	A1	*	1/2011	Lin	B65D 43/26 220/201
2015/0157535	A1	*	6/2015	Frishman	A61J 1/1412 604/403

(56) **References Cited**

U.S. PATENT DOCUMENTS

D419,370	S	*	1/2000	Busick	D7/392
D419,371	S	*	1/2000	Haley	D7/392.1
D454,384	S	*	3/2002	Lord	D23/229
D466,015	S	*	11/2002	Faucon	D9/435
D467,036	S	*	12/2002	Bakic	D28/82
6,561,375	B1	*	5/2003	Nagy	A47G 19/02 206/460
D525,127	S	*	7/2006	Cogley	D9/456
D526,839	S	*	8/2006	Boozer	D7/392
D546,670	S	*	7/2007	Sainz	D9/420
D563,785	S	*	3/2008	Maki	D9/454
D567,584	S	*	4/2008	Boozer	D7/413
D581,792	S	*	12/2008	Krohn	D9/504
D633,644	S	*	3/2011	Sprengers	D26/89
D641,207	S	*	7/2011	Backaert	D7/391
D660,136	S	*	5/2012	Jarowenko	D8/374
D688,946	S	*	9/2013	Pirincci	D9/454
D694,463	S	*	11/2013	Sieczkowski	D26/124
D701,700	S	*	4/2014	Abdi	D3/318

OTHER PUBLICATIONS

500ML Frescor Glass Juice Bottle: Announced 2013 [online]. Site Visited Apr. 12, 2018. Available from Internet URL: <https://ideon.co.uk/500ml-glass-frescor.html>.*

Mini Glass Bottles with Silver Lids: Announced Dec. 12, 2015 [online]. Site Visited [Apr. 12, 2018]. Available from Internet URL: https://www.amazon.co.uk/Classic-Mini-Glass-Bottles-Silver/dp/B00ZRSX4J4/ref=cm_cr_arp_d_product_top?ie=UTF8.*

38 Lug Black Plastisol Container Lid: Announced 2018 [online]. Site Visited [Apr. 12, 2018]. Available from Internet URL: <https://www.fillmorecontainer.com/38-lug-black-plastisol.html>.*

48mm Gold Twist Off Cap: Announced 2013 [online]. Site Visited [Apr. 12, 2018]. Available from Internet URL: <https://ideon.co.uk/48mm-gold-twist-off-lid.html>.*

* cited by examiner

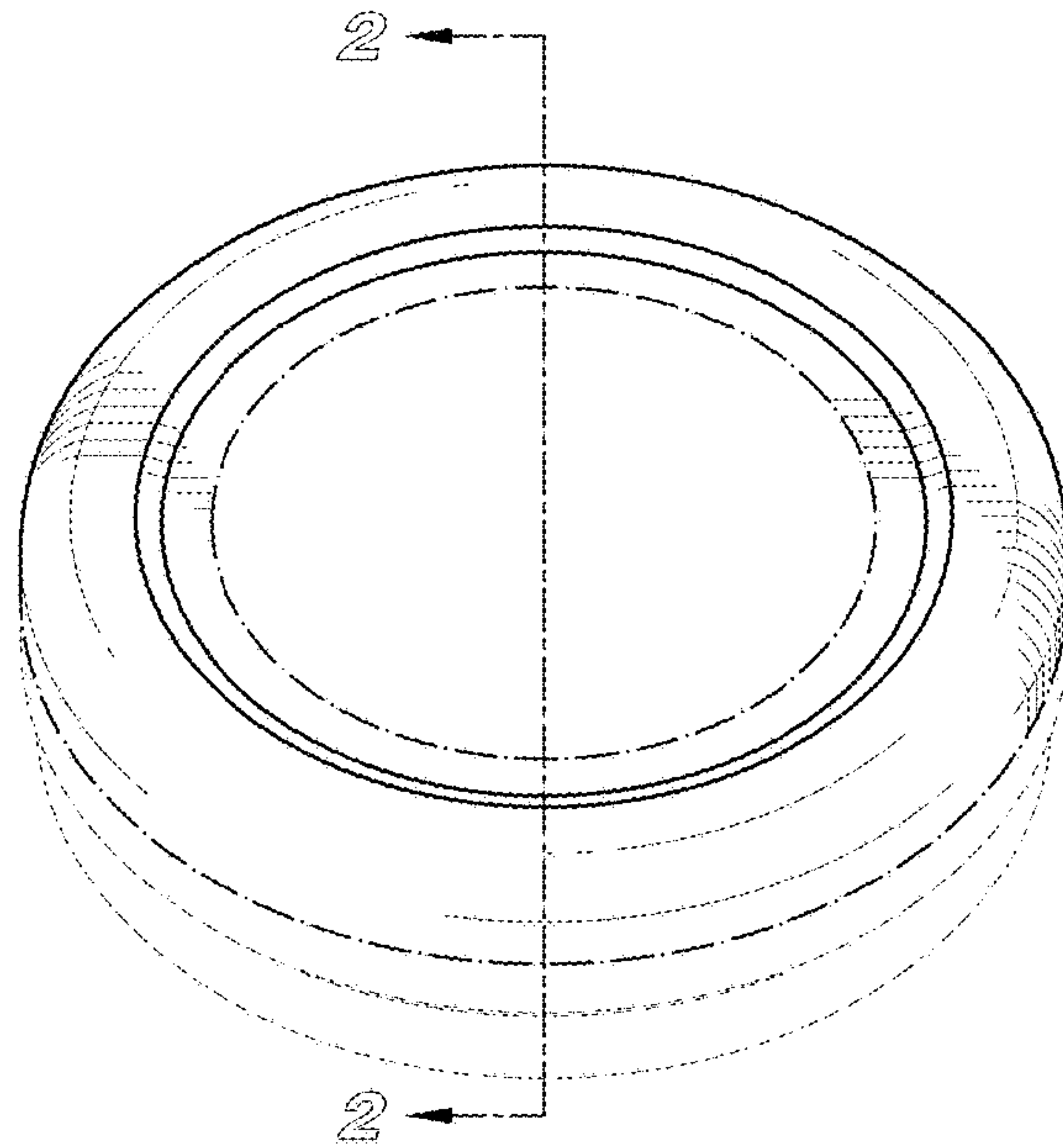


FIG. 1

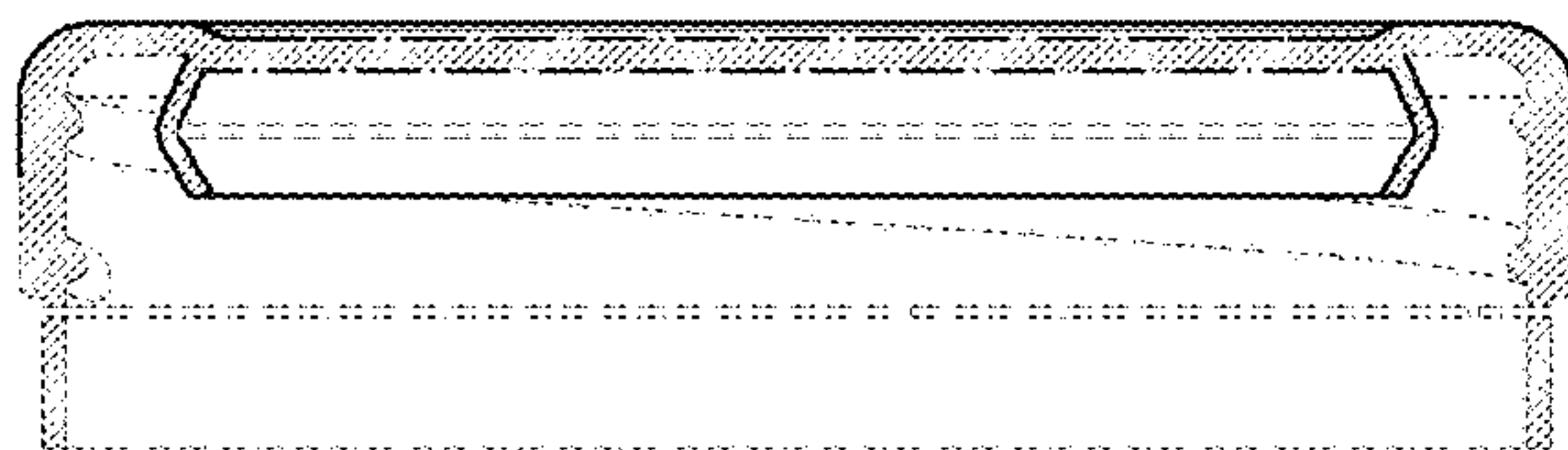


FIG. 2

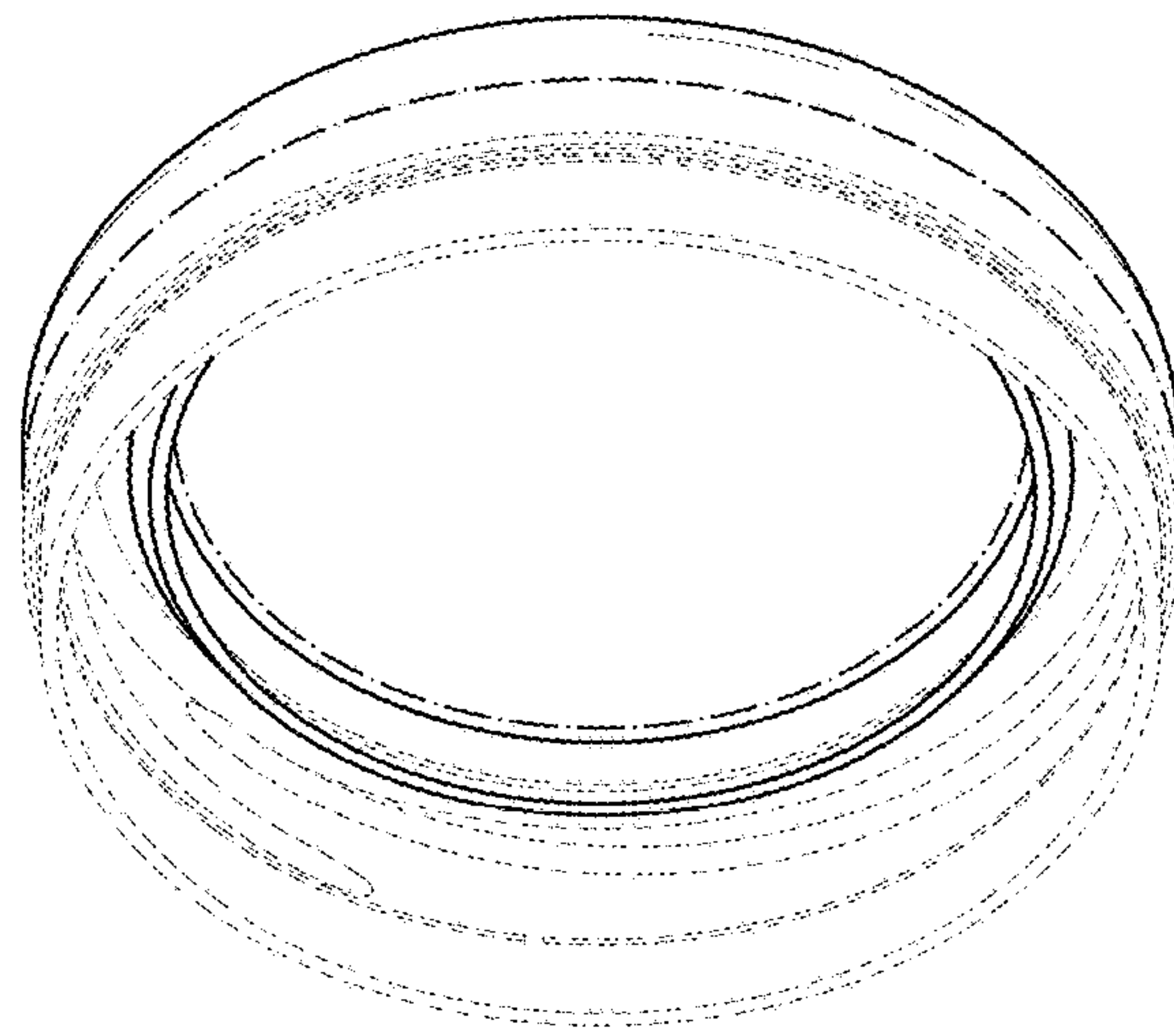


FIG. 3

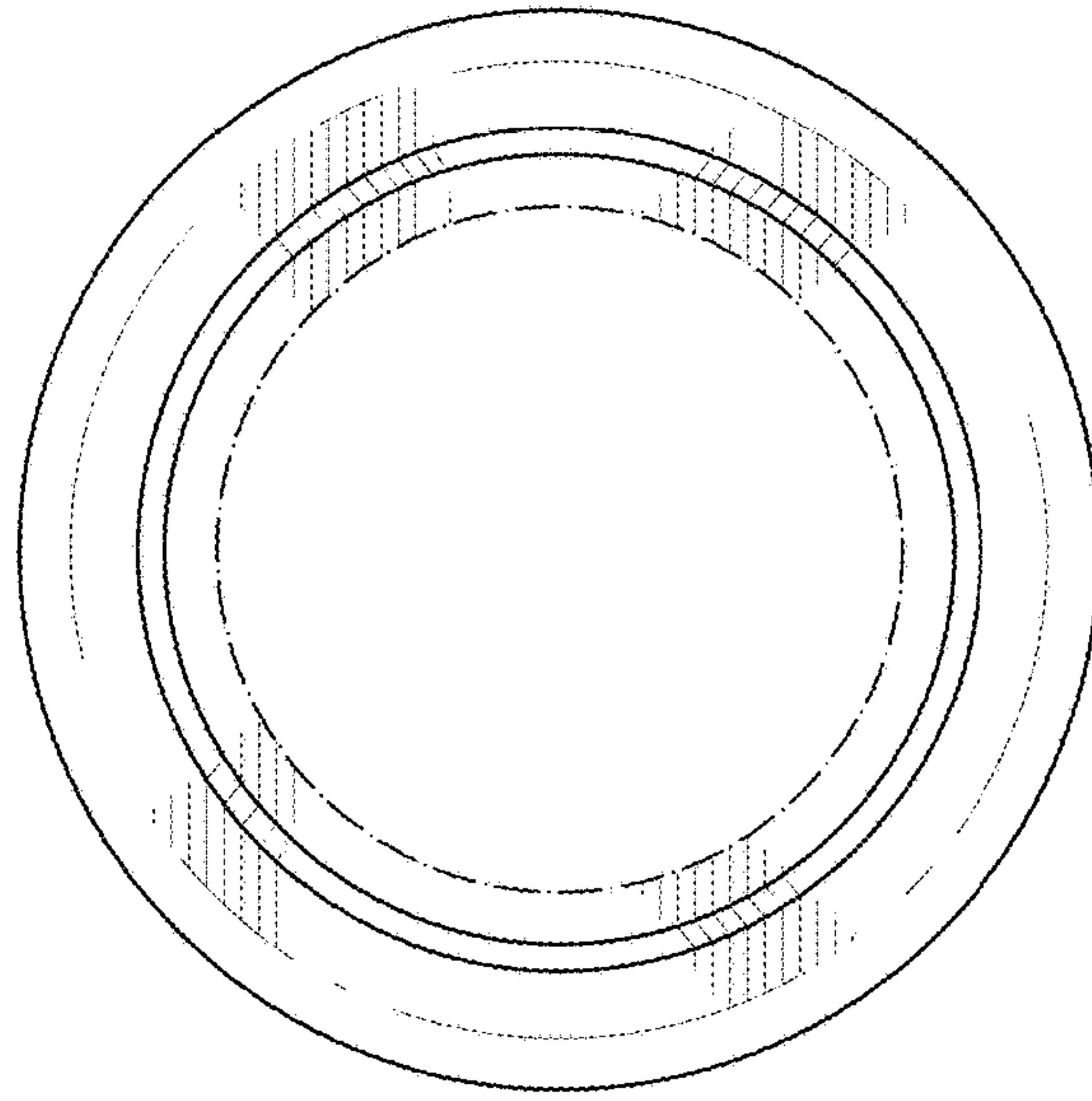


FIG. 4

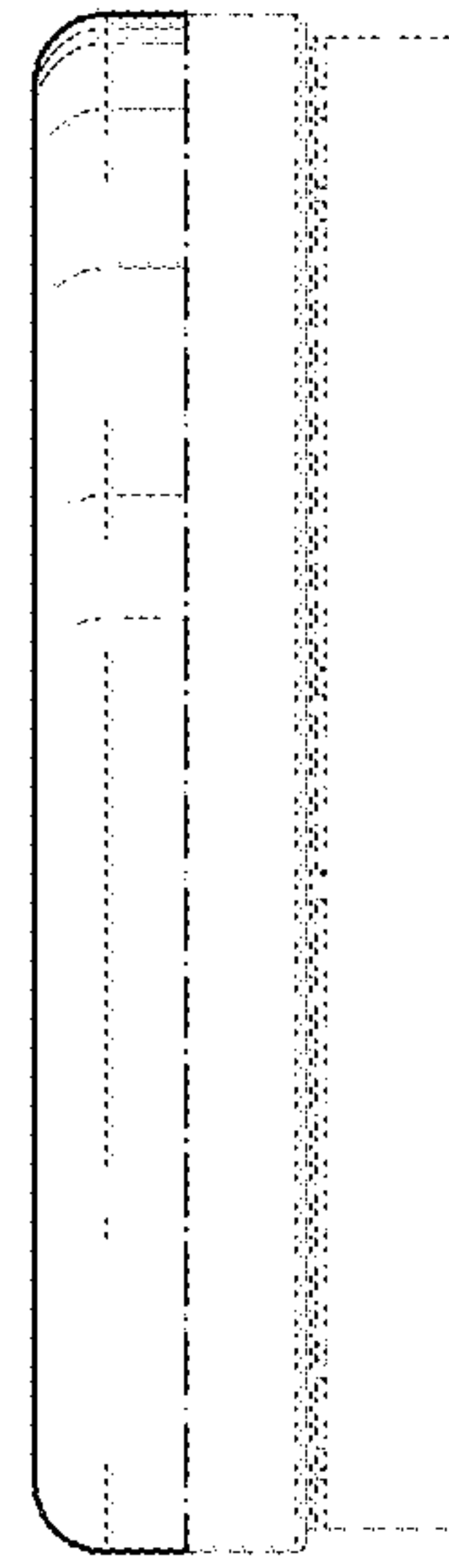


FIG. 6

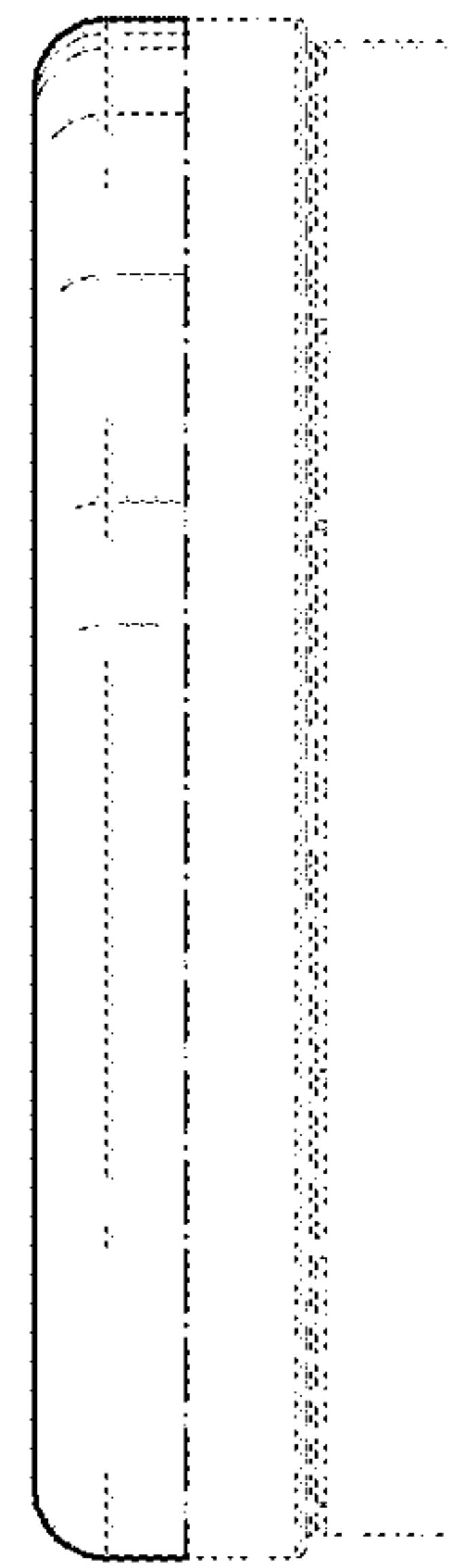


FIG. 5

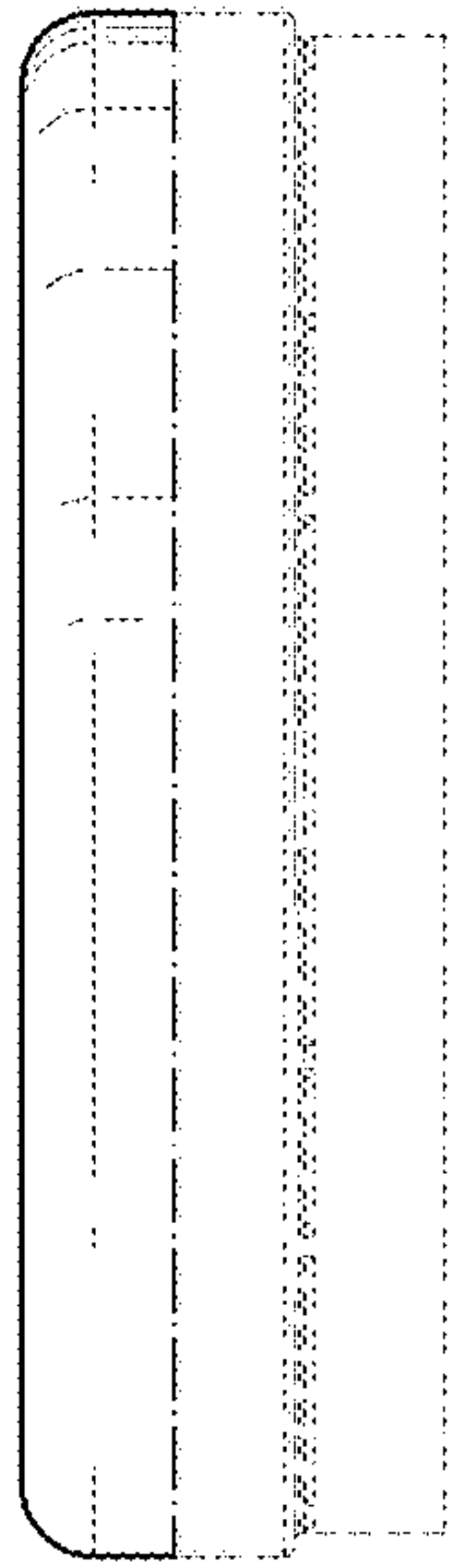


FIG. 7

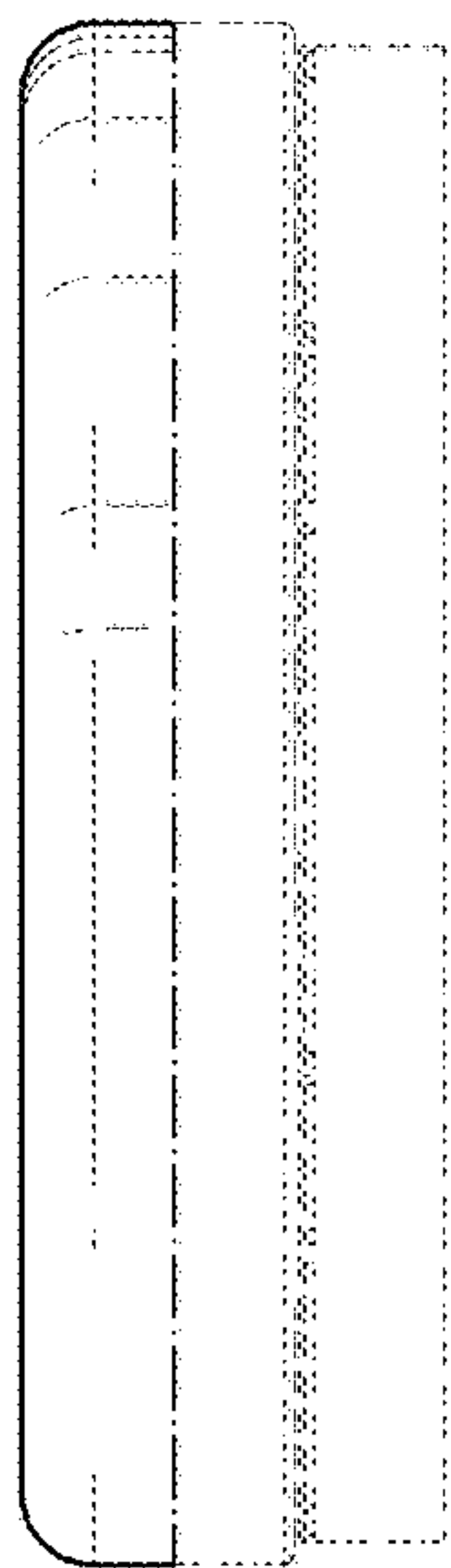


FIG. 8

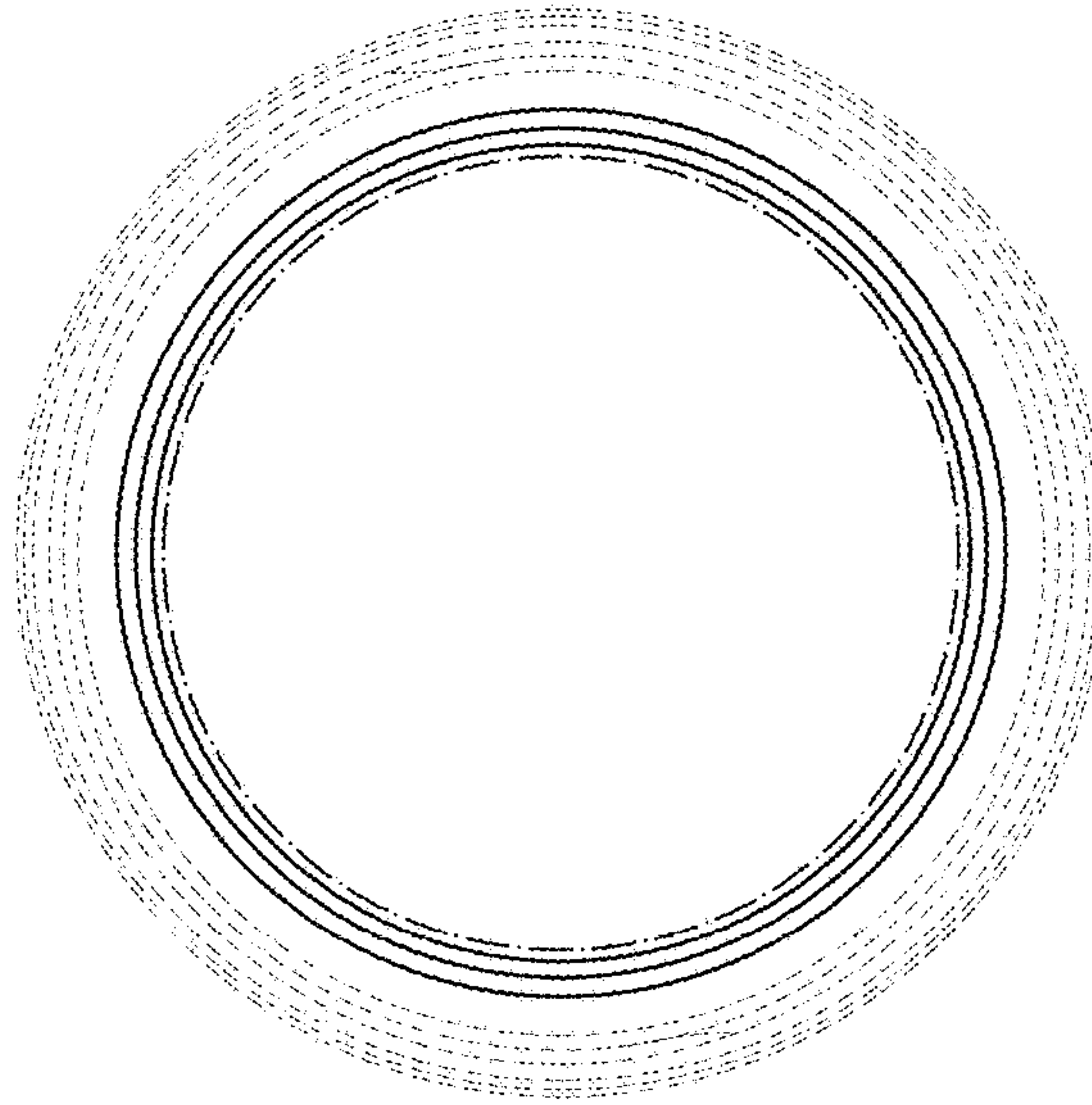


FIG. 9