



US00D851487S

(12) **United States Design Patent**  
**Duvigneau**

(10) **Patent No.:** **US D851,487 S**

(45) **Date of Patent:** **\*\* Jun. 18, 2019**

- (54) **LID FOR CONTAINER**
- (71) Applicant: **CURVER Luxembourg Sarl,**  
Neidercorn (LU)
- (72) Inventor: **Nikolai Duvigneau, Zichron Yaacov**  
(IL)
- (73) Assignee: **CURVER LUXEMBOURG SARL,**  
Neidercorn (LU)

D651,475 S *	1/2012	Lindsay	.....	D7/629
D651,477 S *	1/2012	Nie	.....	D7/629
D652,686 S *	1/2012	Lindsay	.....	D7/629
D660,093 S *	5/2012	Kyung	.....	D7/629
D660,094 S *	5/2012	Kyung	.....	D7/629
D675,057 S *	1/2013	Harvey	.....	D7/391
D677,116 S *	3/2013	Smyers	.....	D7/391
D687,705 S *	8/2013	Krupa	.....	D9/425
D704,503 S *	5/2014	Manley	.....	D7/391
D722,834 S *	2/2015	Beckman	.....	D7/629

- (\*\*) Term: **15 Years**
- (21) Appl. No.: **29/573,899**
- (22) Filed: **Aug. 10, 2016**

(30) **Foreign Application Priority Data**

Feb. 11, 2016 (IL) ..... 58065  
 Feb. 14, 2016 (IL) ..... 58069

- (51) **LOC (11) Cl.** ..... **09-07**
- (52) **U.S. Cl.**  
USPC ..... **D9/435**

- (58) **Field of Classification Search**  
USPC ..... D3/202, 242, 272, 318; D7/601, 602,  
D7/609, 629, 705, 708.1; D9/414, 425,  
D9/428, 434, 435, 456, 499, 504, 744,  
D9/745, 751  
CPC .... B65D 81/3453; B65D 21/02; B65D 25/28;  
B65D 25/2882  
See application file for complete search history.

(56) **References Cited**

U.S. PATENT DOCUMENTS

D523,296 S *	6/2006	Kim	.....	D7/629
D610,879 S *	3/2010	Kim	.....	D7/629
D636,641 S *	4/2011	Smyers	.....	D7/629
D646,127 S *	10/2011	Lindsay	.....	D7/629

OTHER PUBLICATIONS

Ebay UK. Mini Storage Boxes. Jan. 10, 2017 [earliest online date], [site visited Sep. 7, 2017]. Available from Internet, <URL:https://www.ebay.co.uk/p/9-X-200ml-Mini-Storage-Boxes-Plastic-Kitchen-Container-Small-Food-Sauce-Baby/782452477?iid=191491349988>. (Year: 2017).\*

(Continued)

*Primary Examiner* — George D. Kirschbaum  
*Assistant Examiner* — Darcey E Hefflin  
 (74) *Attorney, Agent, or Firm* — Vorys, Sater, Seymour  
 and Pease LLP

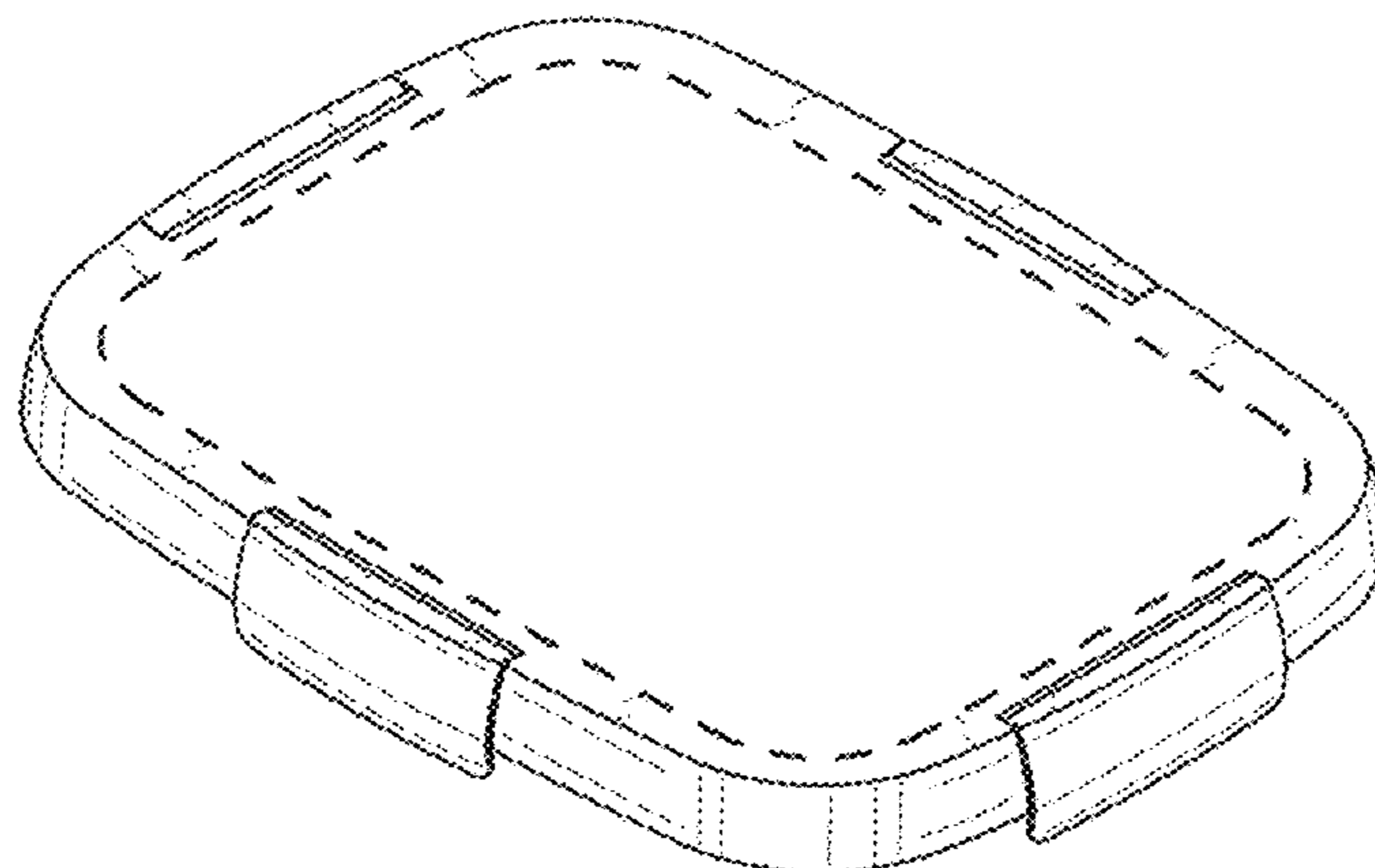
(57) **CLAIM**

The ornamental design for a lid for container, as shown and described.

**DESCRIPTION**

FIG. 1 is a top perspective view of a lid for container;  
 FIG. 2 is a side elevational view thereof, the other side  
 elevational view being identical to FIG. 2; and,  
 FIG. 3 is a front elevational view thereof, the rear view being  
 identical to FIG. 3.  
 In the drawings, the broken lines showing portions of a lid  
 for container depict environment and form no part of the  
 claim.

**1 Claim, 3 Drawing Sheets**



(56)

**References Cited**

OTHER PUBLICATIONS

Amazon. Royal Glass Food Storage Containers. Oct. 23, 2016 [earliest online date], [site visited Jan. 2, 2018]. Available from Internet, <URL:<https://www.amazon.com/Royal-Glass-Food-Storage-Containers/dp/B01NBBVXG3>>. (Year: 2016).\*

The Container Store. Glasslock Rectangular Food Containers with Lids. Feb. 19, 2012 [earliest online date], [site visited Jan. 2, 2018]. Available from Internet, <URL:<https://www.containerstore.com/s/kitchen/food-storage/glass-ceramic/glasslock-rectangular-food-containers-with-lids/123d?productId=10032213>>. (Year: 2012).\*

Amazon. OXO Good Grips 8 Cup Smart Seal Leakproof Glass rectangle Food Storage Container. Apr. 16, 2016 [earliest online date], [site visited Jan. 2, 2018]. Available from Internet, <URL:<https://www.amazon.com/OXO-Leakproof-Rectangle-Storage-Container/dp/B019F0771A>>. (Year: 2016).\*

\* cited by examiner

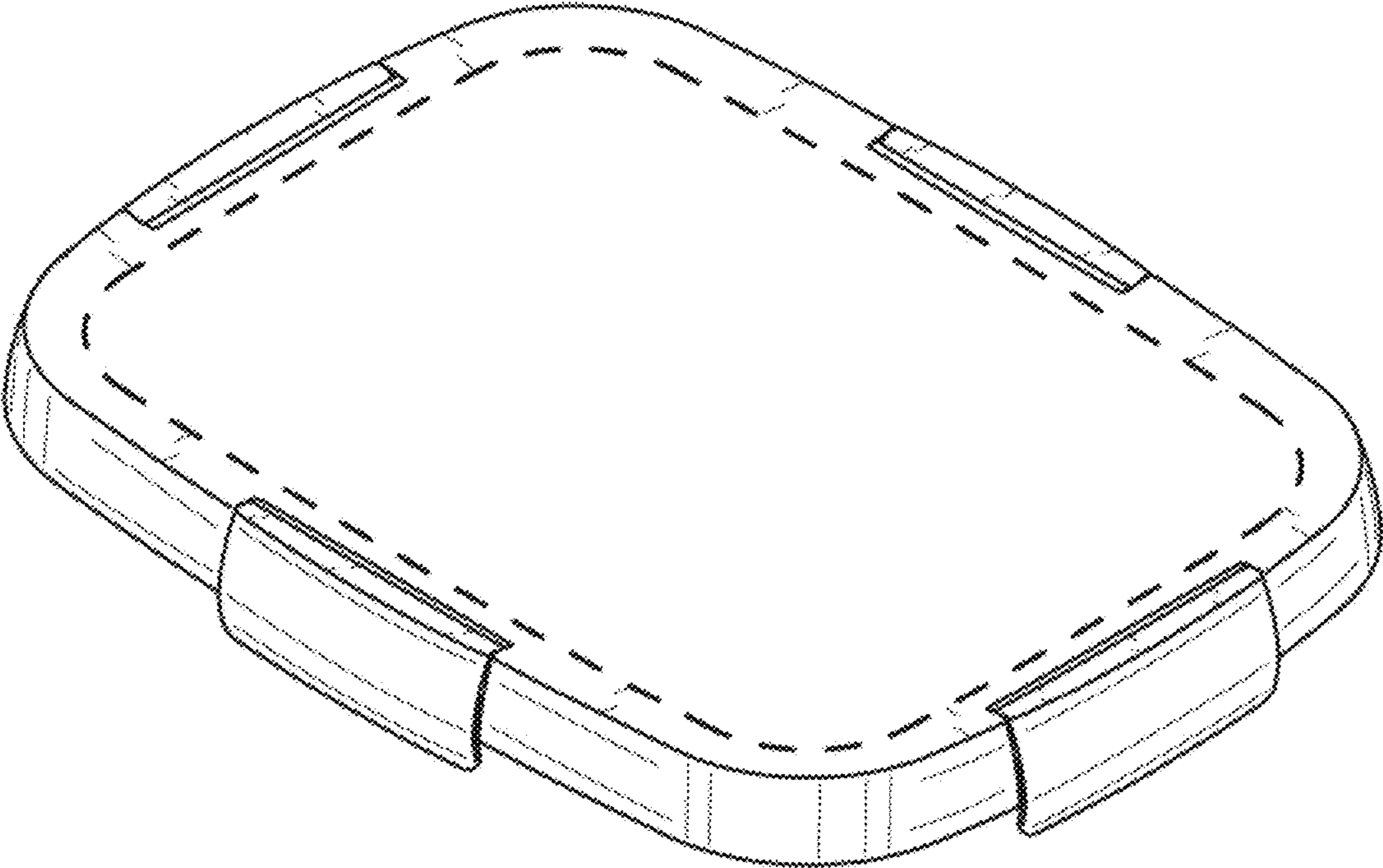


FIG. 1

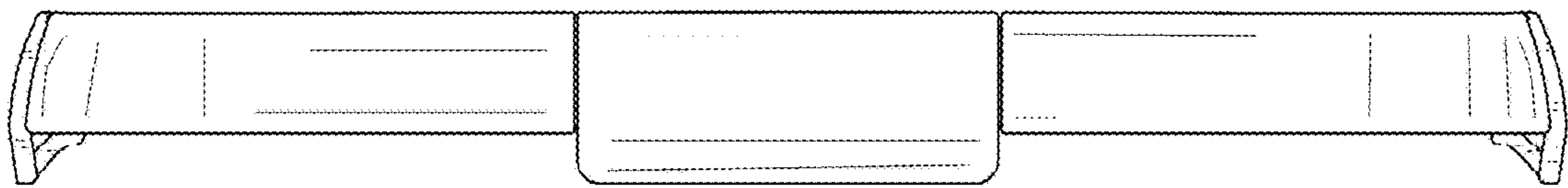


FIG. 2

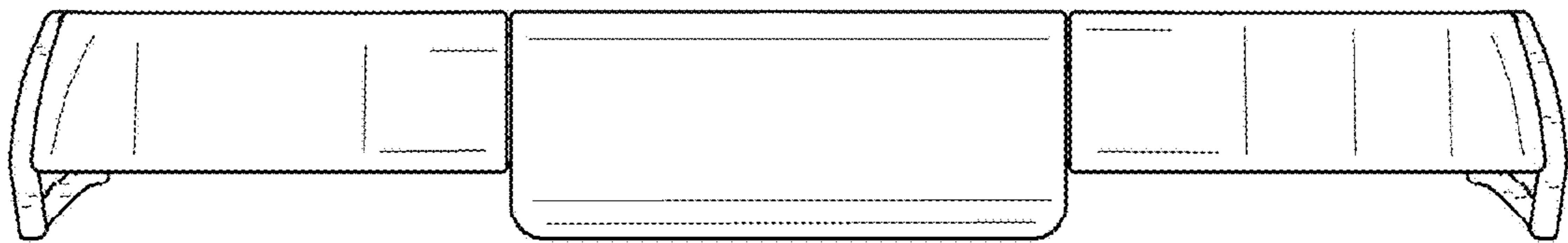


FIG. 3