



US00D851484S

(12) **United States Design Patent** (10) **Patent No.:** **US D851,484 S**
Veilleux et al. (45) **Date of Patent:** **** Jun. 18, 2019**

(54) **PANEL CLAMP**

(71) Applicants: **David Veilleux**, St. George, UT (US);
Pierre Patenaude,
St-Roch-des-Aulnaies (CA)

(72) Inventors: **David Veilleux**, St. George, UT (US);
Pierre Patenaude,
St-Roch-des-Aulnaies (CA)

(73) Assignee: **152310 Canada**, Brossard (CA)

(**) Term: **15 Years**

(21) Appl. No.: **29/626,221**

(22) Filed: **Nov. 15, 2017**

(51) **LOC (11) Cl.** **08-08**

(52) **U.S. Cl.**
USPC **D8/394**; D8/382

(58) **Field of Classification Search**
USPC D8/382, 394, 354, 349, 367, 71, 72, 373;
D25/68, 102, 138, 199
CPC . E04F 13/00; E04F 13/21; E04F 13/22; E04F
13/24; E04F 13/26; A47B 97/00; Y10S
24/32
See application file for complete search history.

7,127,777 B2 * 10/2006 Chiang E05D 5/0246
16/252

D544,472 S * 6/2007 Chiang D14/238

D550,547 S * 9/2007 Sato D8/381

7,553,279 B1 * 6/2009 Phillips F16B 2/185
248/229.2

D603,250 S * 11/2009 Hsu D8/13

D633,782 S * 3/2011 Tompkins D8/382

D652,286 S * 1/2012 Mair D8/356

D700,572 S * 3/2014 Esses D13/108

D722,864 S * 2/2015 Greenthal D8/382

D727,138 S * 4/2015 Cross D8/382

D756,210 S * 5/2016 Downs D8/395

D793,851 S * 8/2017 Mann D8/394

D820,067 S * 6/2018 Merminod D8/349

10,030,680 B2 * 7/2018 Allen E04C 1/42

2010/0225040 A1 * 9/2010 Allen E04F 11/1851
269/297

* cited by examiner

Primary Examiner — Sandra S Snapp
Assistant Examiner — Ieisha N Price
(74) *Attorney, Agent, or Firm* — James A. Italia; Italia IP

(57) **CLAIM**

The ornamental design for a panel clamp, as shown and described.

DESCRIPTION

FIG. 1 is a perspective view of a panel clamp, showing our new design;
FIG. 2 is a bottom plan view of the invention;
FIG. 3 is a top plan view of the invention;
FIG. 4 is a right-side elevational view of the invention;
FIG. 5 is a left-side elevational view of the invention;
FIG. 6 is a rear elevational view of the invention; and,
FIG. 7 is a front elevational view of the invention.
The broken lines in the drawings illustrate portions of the panel clamp and form no part of the claimed design.

1 Claim, 3 Drawing Sheets

(56) **References Cited**
U.S. PATENT DOCUMENTS

D202,294 S * 9/1965 Heifetz D8/360

D210,098 S * 2/1968 Marik D8/394

D228,877 S * 10/1973 Hirt D8/373

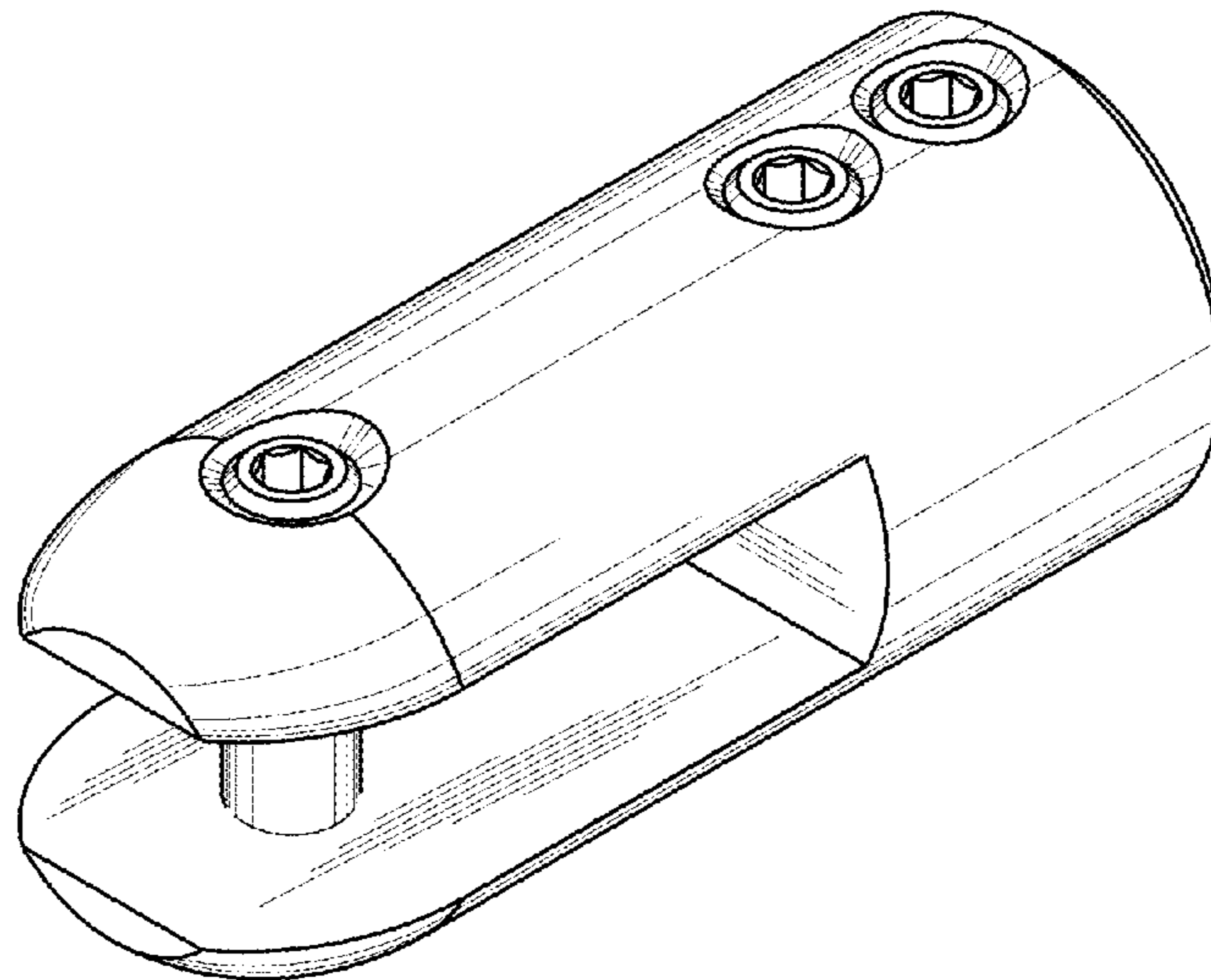
5,020,195 A * 6/1991 LeVahn A61B 17/02
24/514

D326,601 S * 6/1992 Smith D8/356

D428,057 S * 7/2000 Creamer D19/194

D434,968 S * 12/2000 Fortier D8/354

6,834,839 B1 * 12/2004 Wilson F16M 13/02
248/230.1



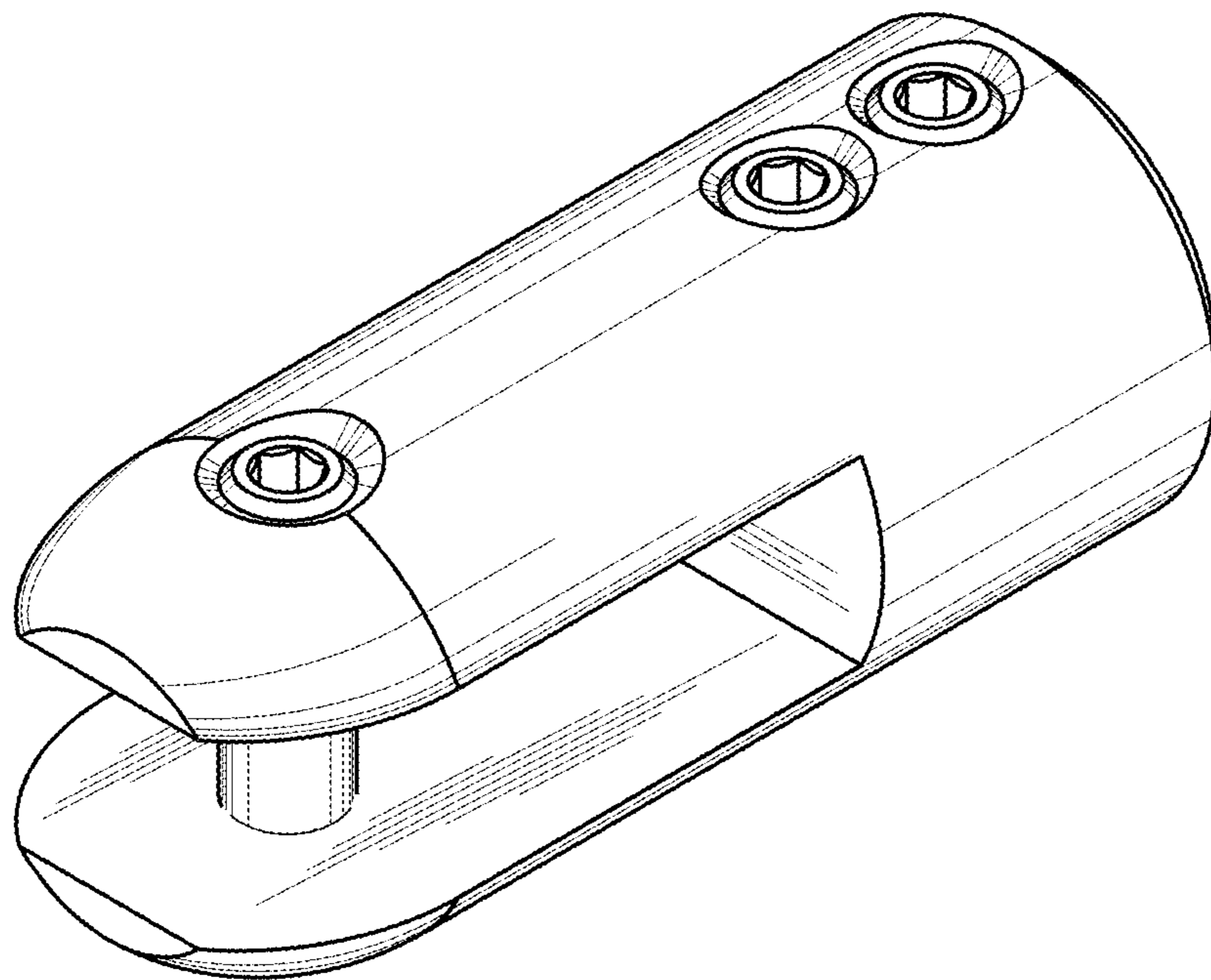


FIG. 1

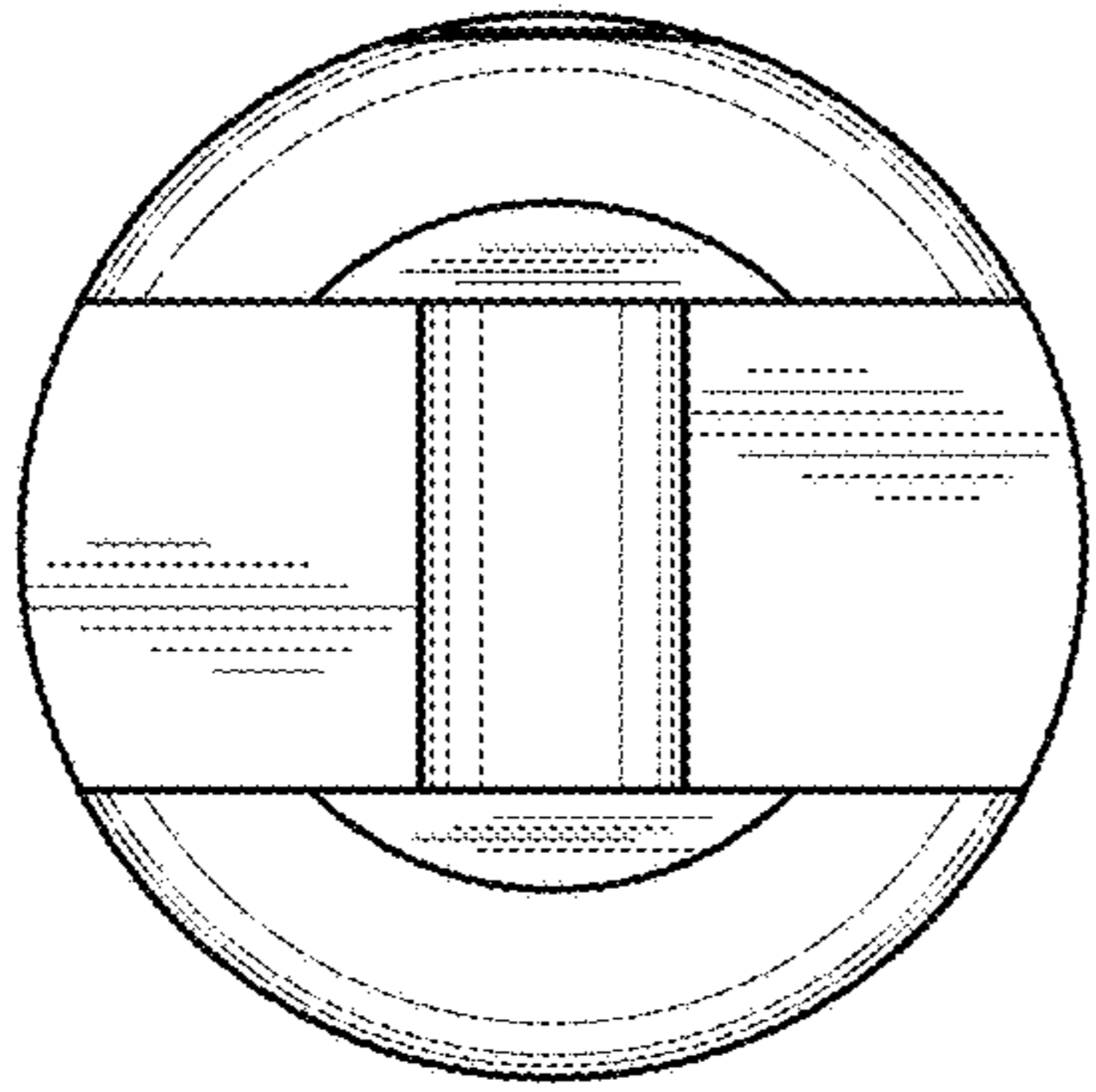


FIG. 2

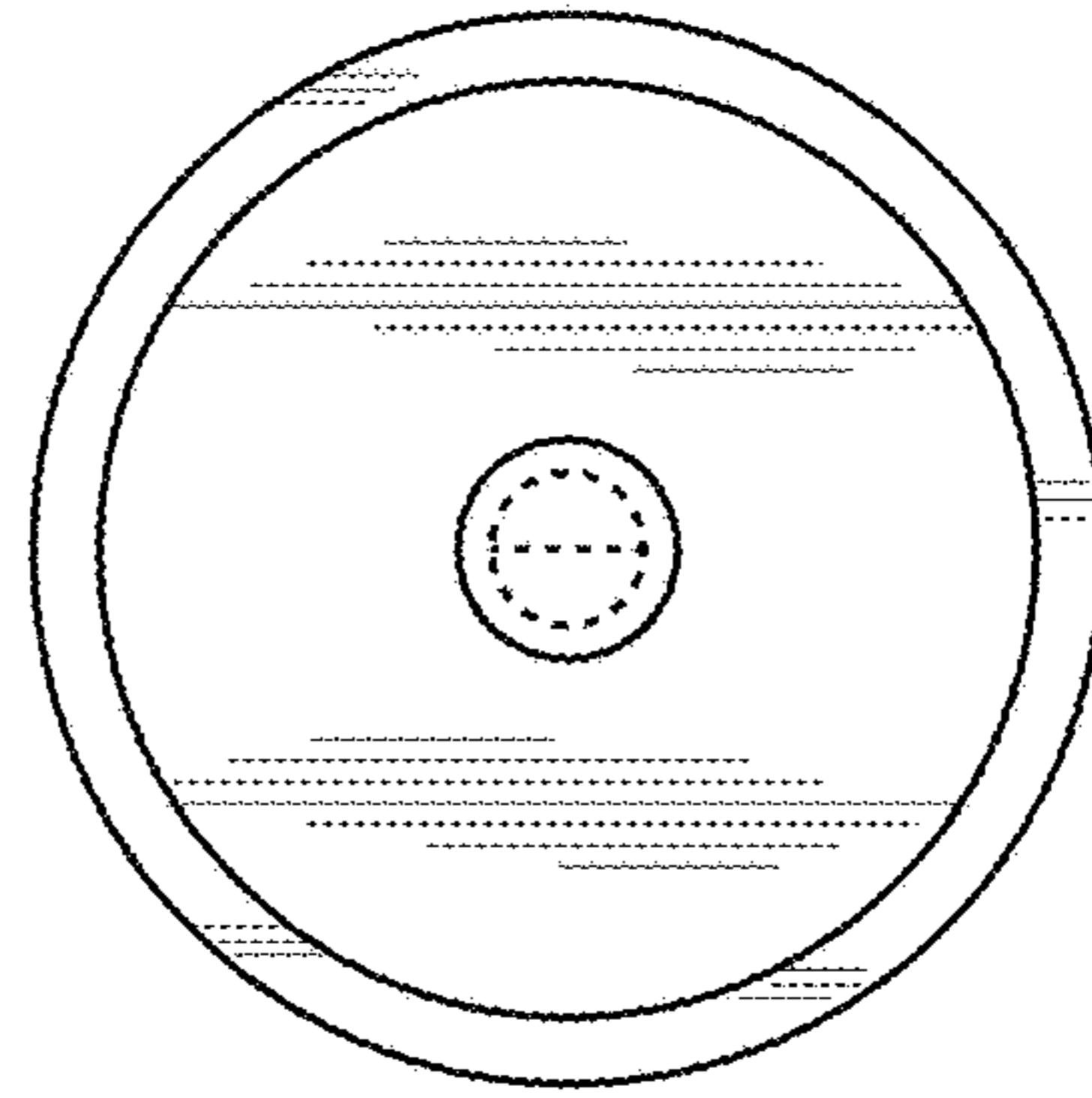


FIG. 3

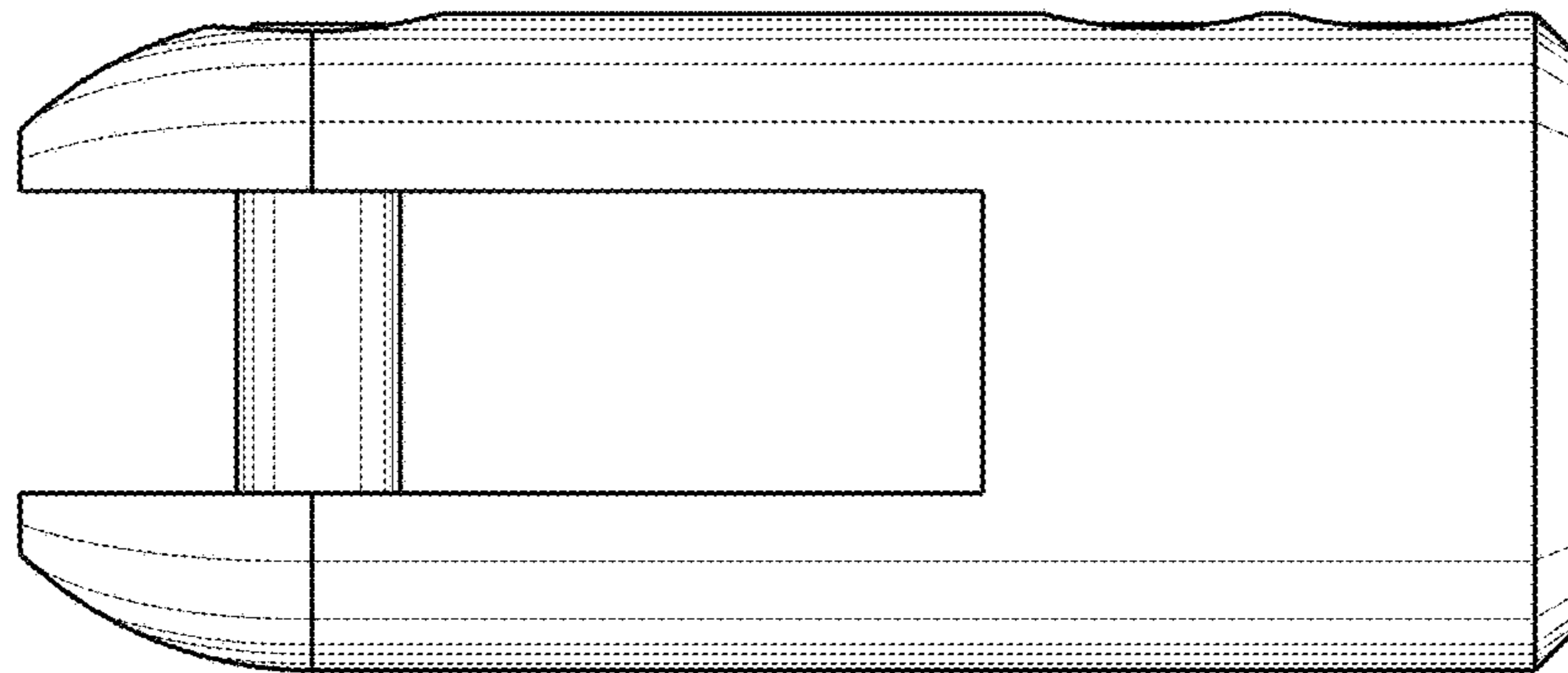


FIG. 4

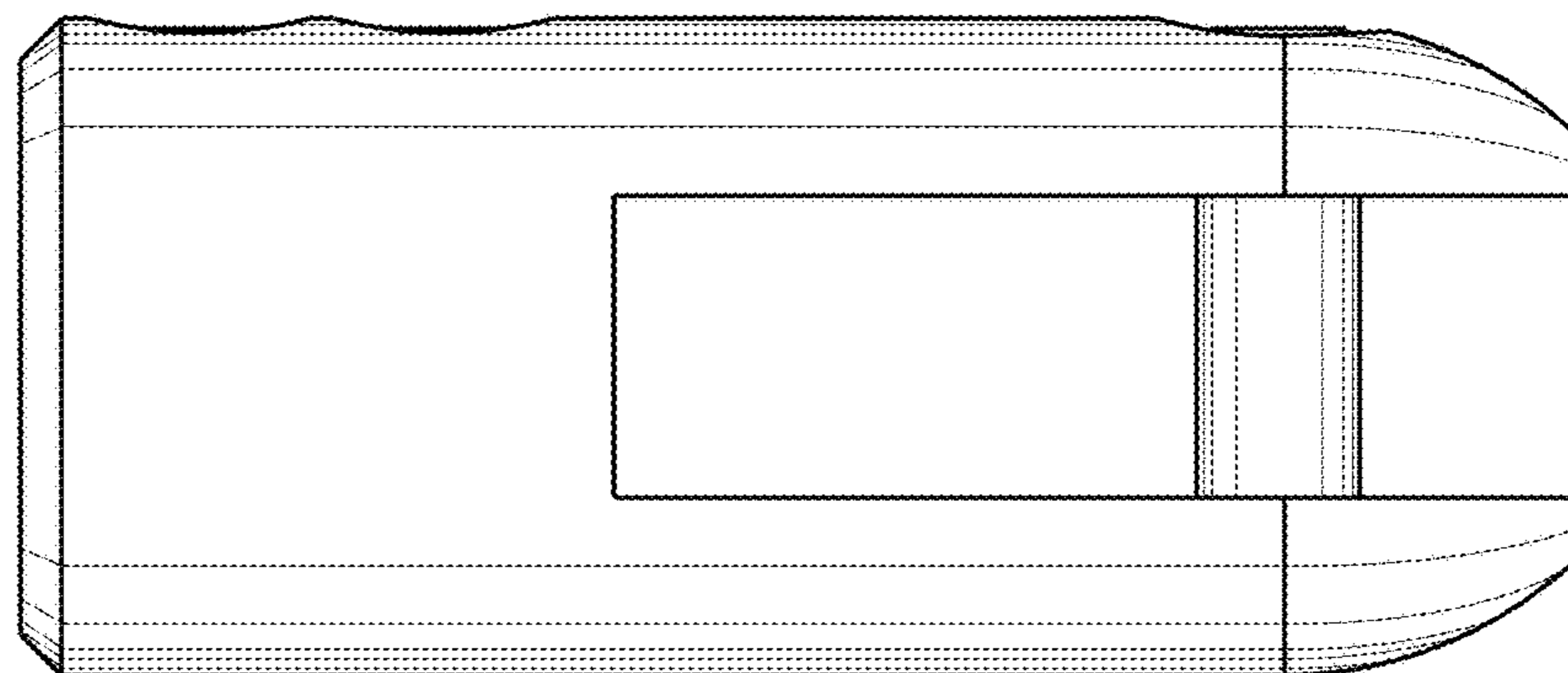


FIG. 5

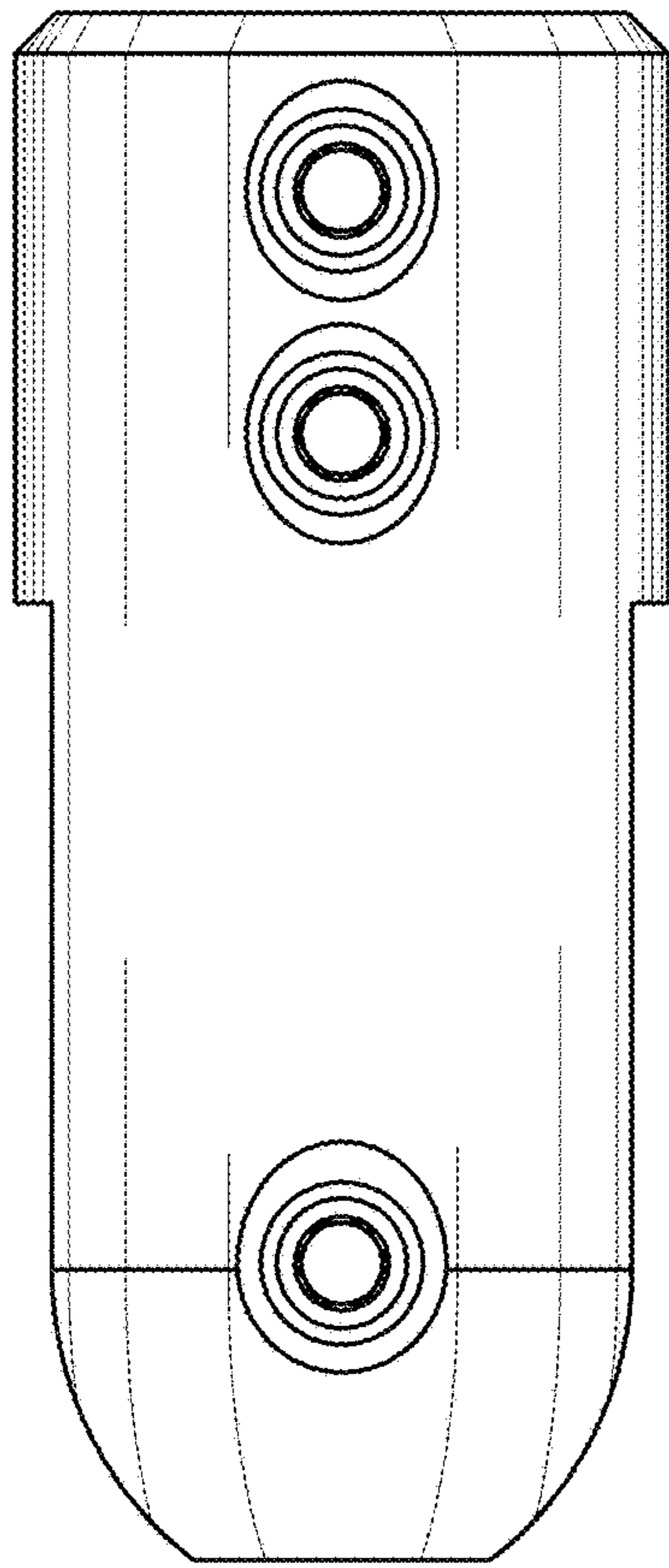


FIG. 6

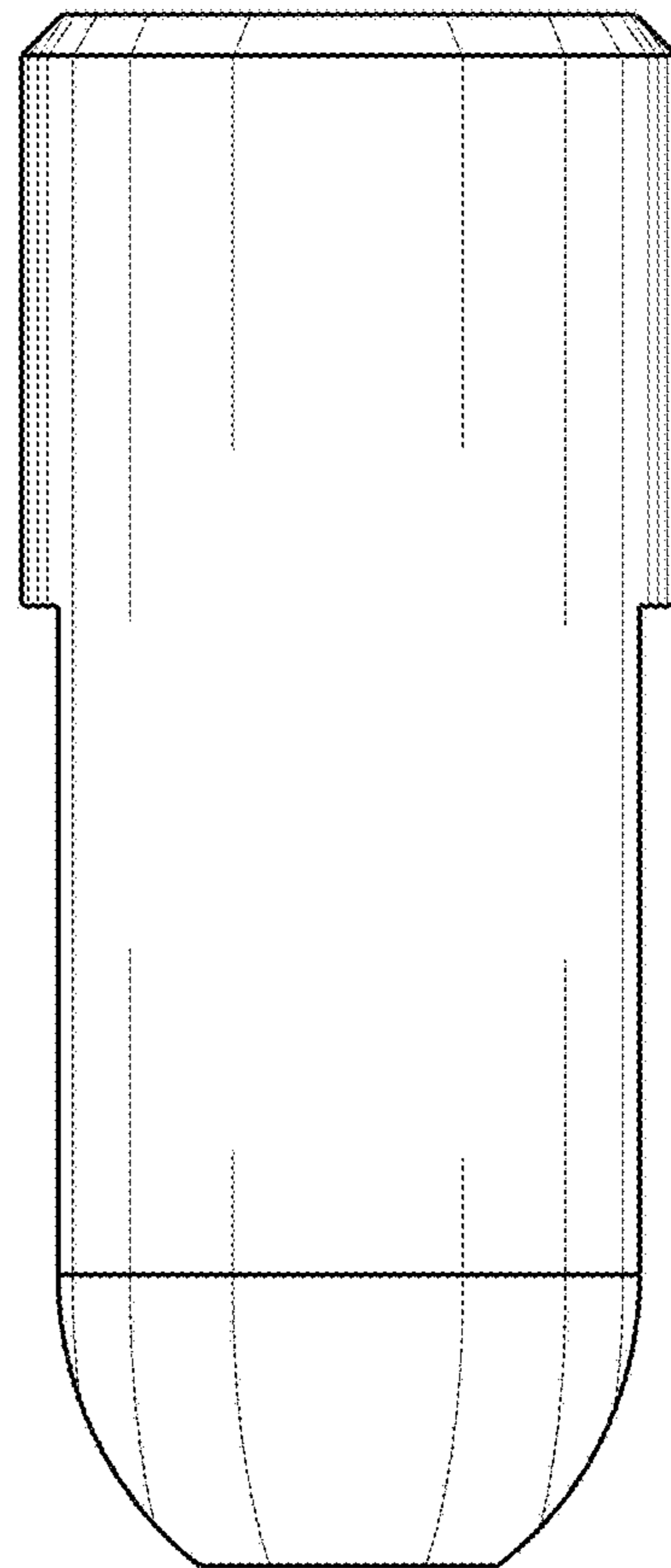


FIG. 7