



US00D851483S

(12) **United States Design Patent**
Smallhorn

(10) **Patent No.:** **US D851,483 S**
(45) **Date of Patent:** **** Jun. 18, 2019**

- (54) **STRINGER CLAMP**
- (71) Applicant: **Inflight Investments Inc., St-Laurent (CA)**
- (72) Inventor: **George R. Smallhorn, St-Laurent (CA)**
- (73) Assignee: **INFLIGHT INVESTMENTS INC., St-Laurent (CA)**
- (**) Term: **15 Years**
- (21) Appl. No.: **29/640,563**
- (22) Filed: **Mar. 15, 2018**
- (30) **Foreign Application Priority Data**

5,008,981 A * 4/1991 Smithson A41D 25/022
24/115 G
D342,013 S * 12/1993 Sachs D8/356
D349,038 S * 7/1994 Sachs D8/356
D399,414 S * 10/1998 Viklund H02G 3/32
D8/356
D424,924 S * 5/2000 Ackerman D13/149
D515,910 S * 2/2006 Gates B60R 9/06
D8/354
D635,452 S * 4/2011 Jones D8/383
D712,243 S * 9/2014 Raines D8/396
D737,134 S * 8/2015 Thompson D8/396
9,624,668 B2 * 4/2017 Stanford E04C 5/122
D805,370 S * 12/2017 Ng D8/356
2003/0115723 A1 * 6/2003 Shuey F16G 11/106
24/136 R
2007/0256281 A1 * 11/2007 Breuer A43C 7/08
24/136 R
2013/0264435 A1 * 10/2013 Chuang A47H 3/02
248/65

- Sep. 19, 2017 (CA) 177159
- (51) **LOC (11) Cl.** **08-08**
- (52) **U.S. Cl.**
USPC **D8/383**
- (58) **Field of Classification Search**
USPC D8/44, 349, 354, 356, 357, 360.1, 382,
D8/383, 394
CPC F16G 11/00; F16G 11/02; F16G 11/103;
F16G 11/044; F16G 11/105; A43C 1/00;
A43C 1/06; Y10T 24/39; Y10T 24/3984;
Y10T 24/3969; Y10T 24/3973
See application file for complete search history.

- (56) **References Cited**
U.S. PATENT DOCUMENTS
1,378,267 A * 5/1921 Newton E04G 17/0707
24/136 R
3,757,390 A * 9/1973 Edwards E04C 5/122
24/115 R
D243,747 S * 3/1977 Unghanse D8/396
D311,200 S * 10/1990 Nakayama D17/22

(Continued)

Primary Examiner — Sandra S Snapp
Assistant Examiner — Ieisha N Price
(74) *Attorney, Agent, or Firm* — Kusner & Jaffe

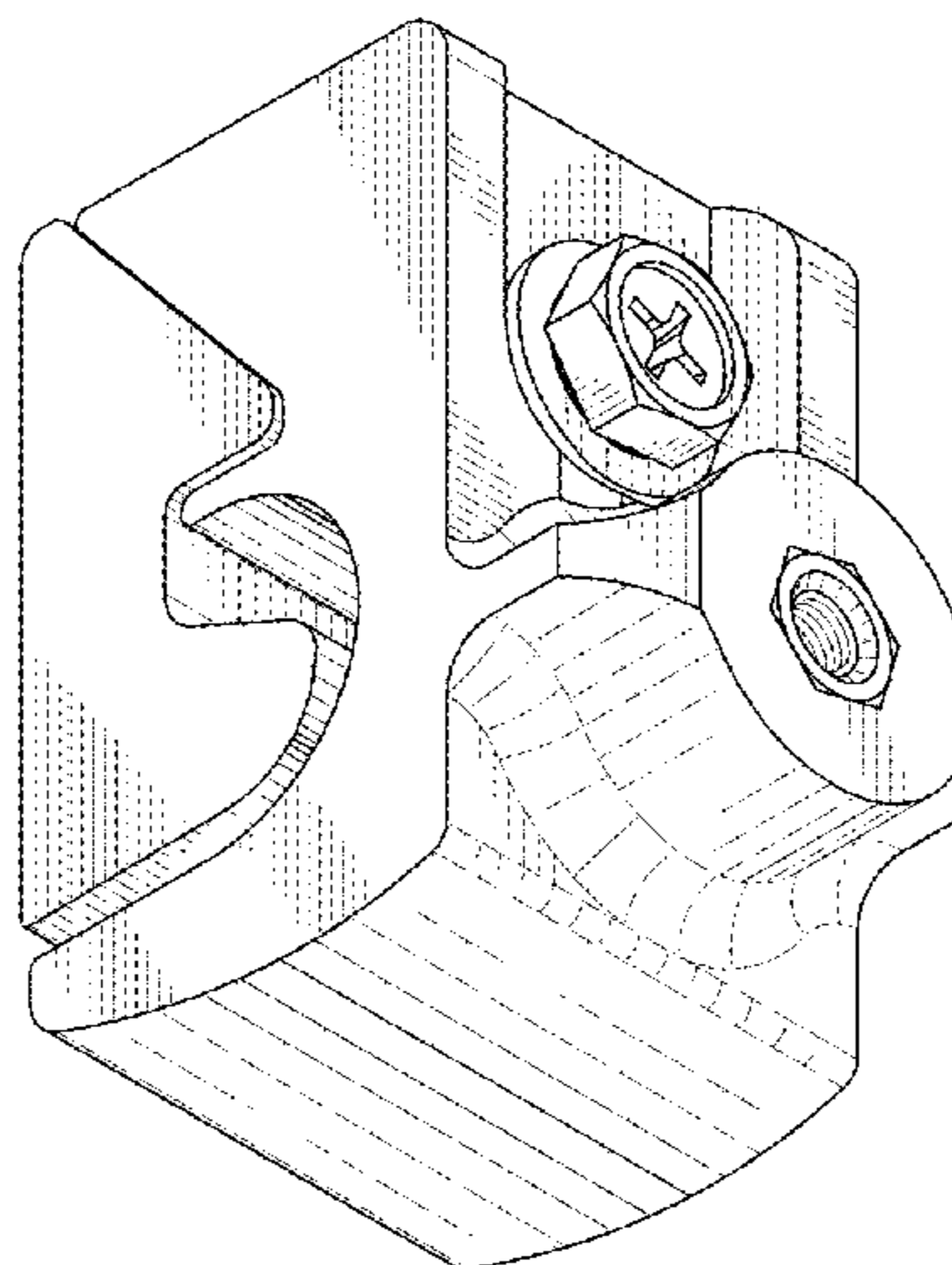
(57) **CLAIM**

The ornamental design for the stringer clamp, as shown and described.

DESCRIPTION

FIG. 1 is a front perspective view of a stringer clamp showing my new design;
FIG. 2 is a back perspective view thereof;
FIG. 3 is a top view thereof;
FIG. 4 is a bottom view thereof;
FIG. 5 is a front view thereof;
FIG. 6 is a rear view thereof;
FIG. 7 is a left side view thereof; and,
FIG. 8 is a right side view thereof.
The portions in dashed lines do not form part of the design.

1 Claim, 8 Drawing Sheets



(56)

References Cited

U.S. PATENT DOCUMENTS

2013/0291341 A1* 11/2013 Somerfield F16G 11/106
24/136 R
2016/0374356 A1* 12/2016 Heurman F16G 11/105
452/106

* cited by examiner

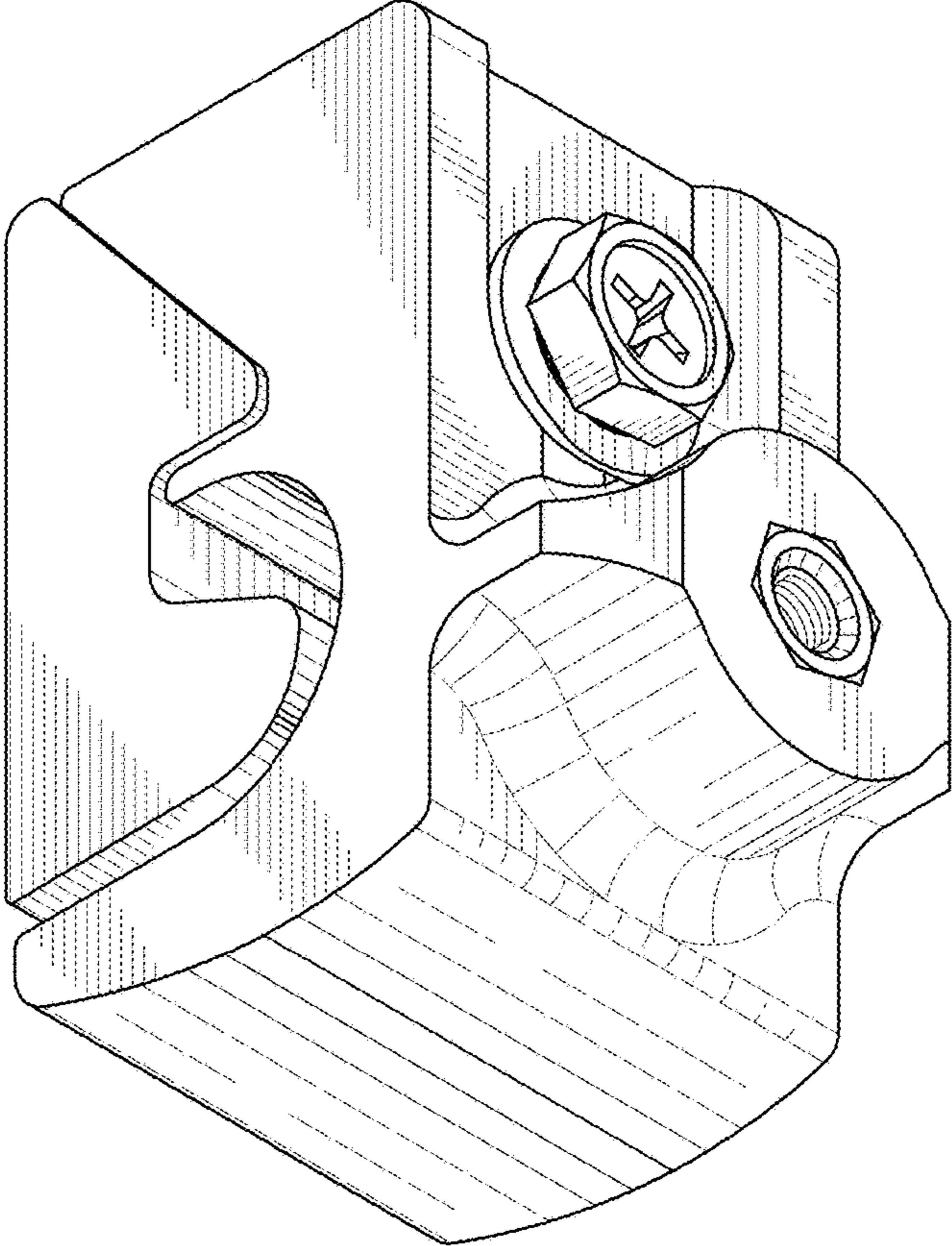


FIG.1

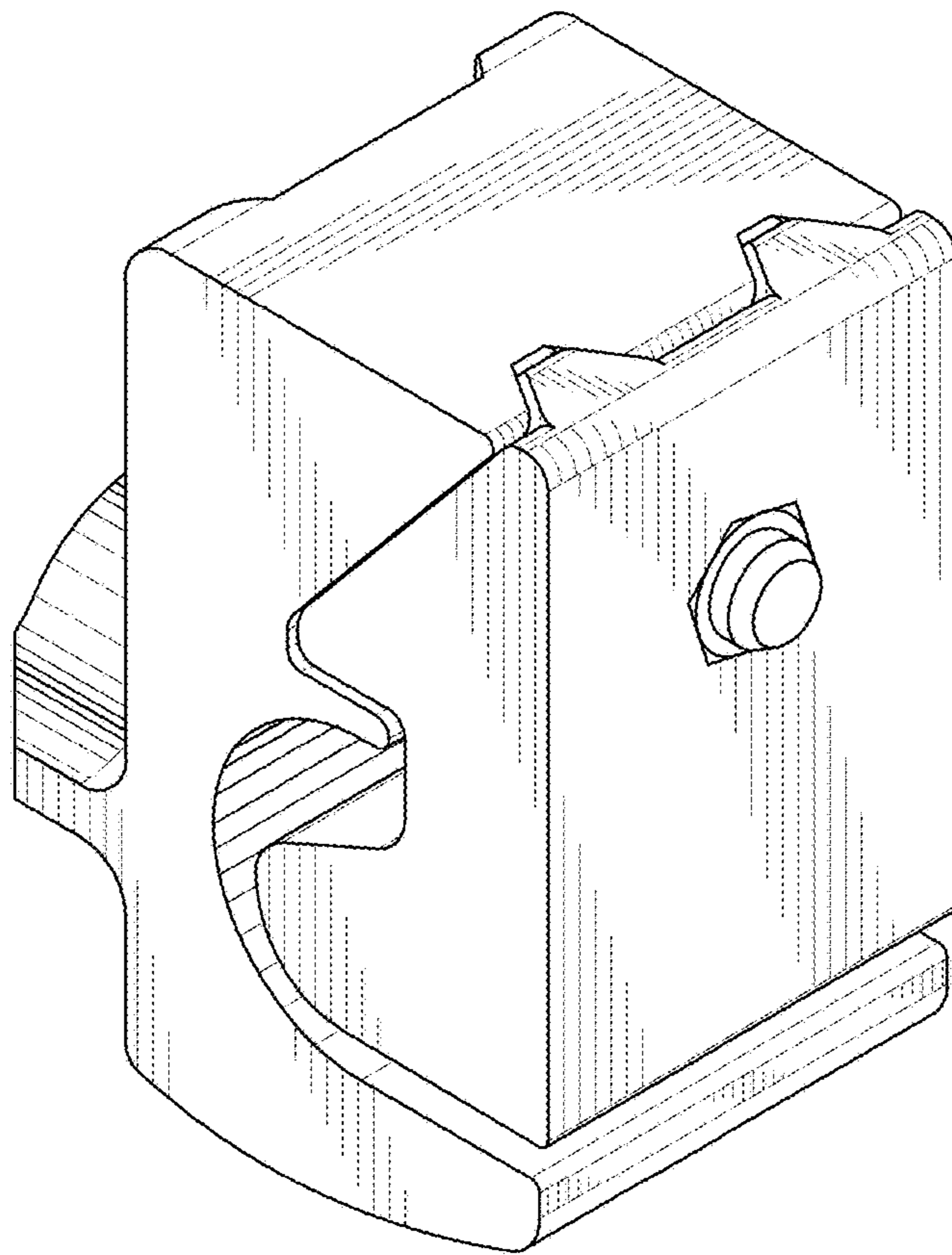


FIG.2

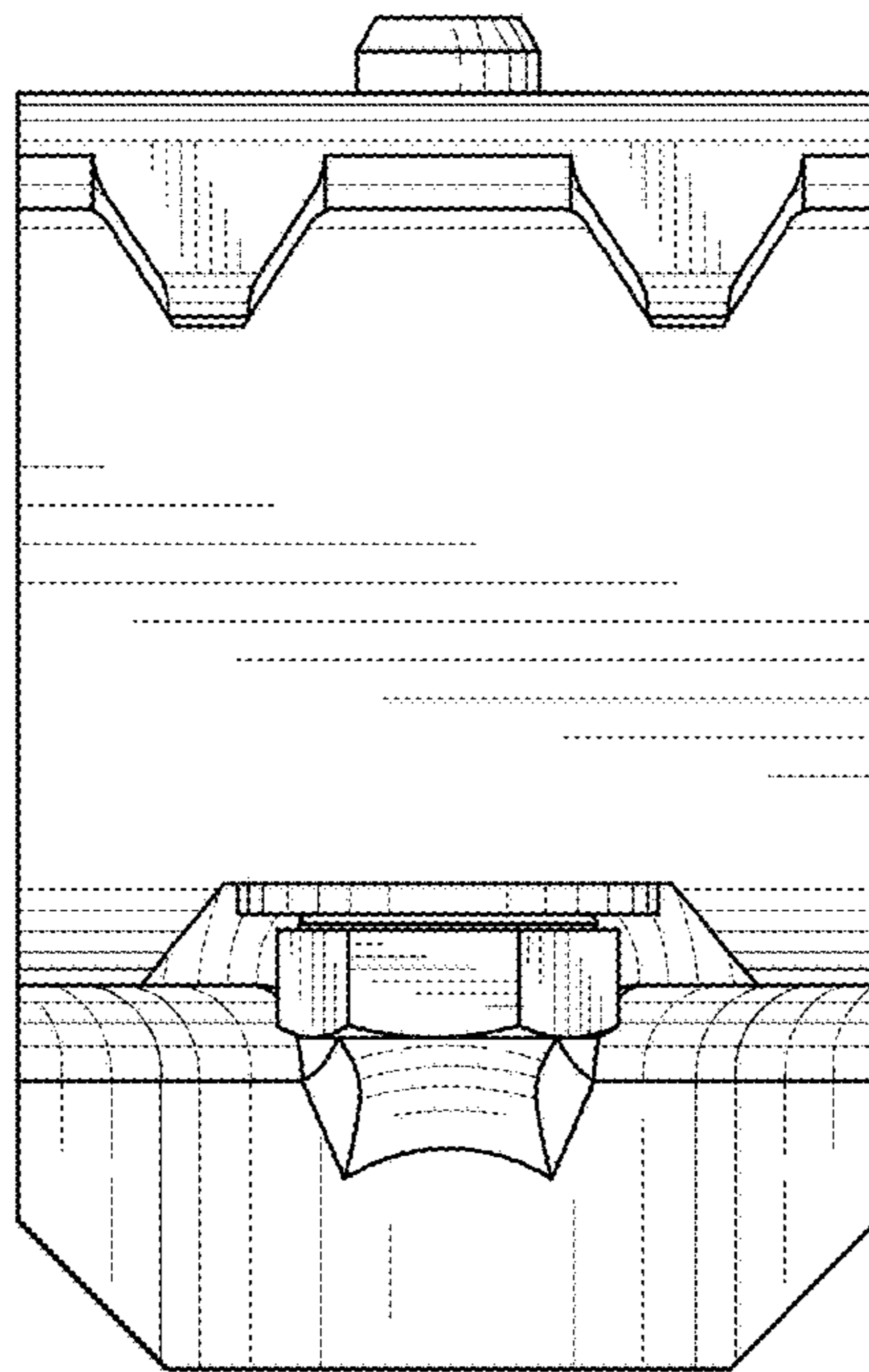


FIG.3

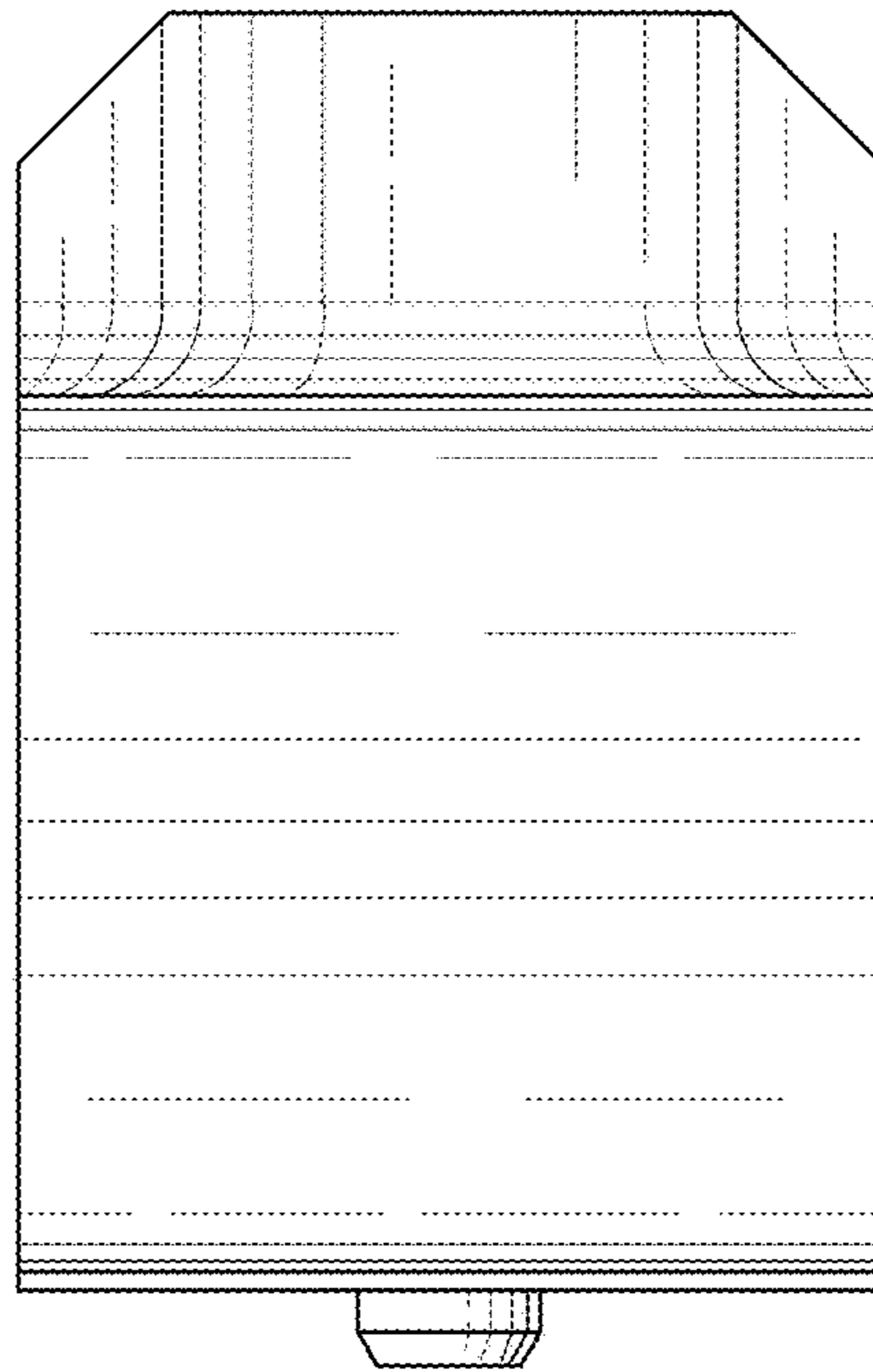


FIG.4

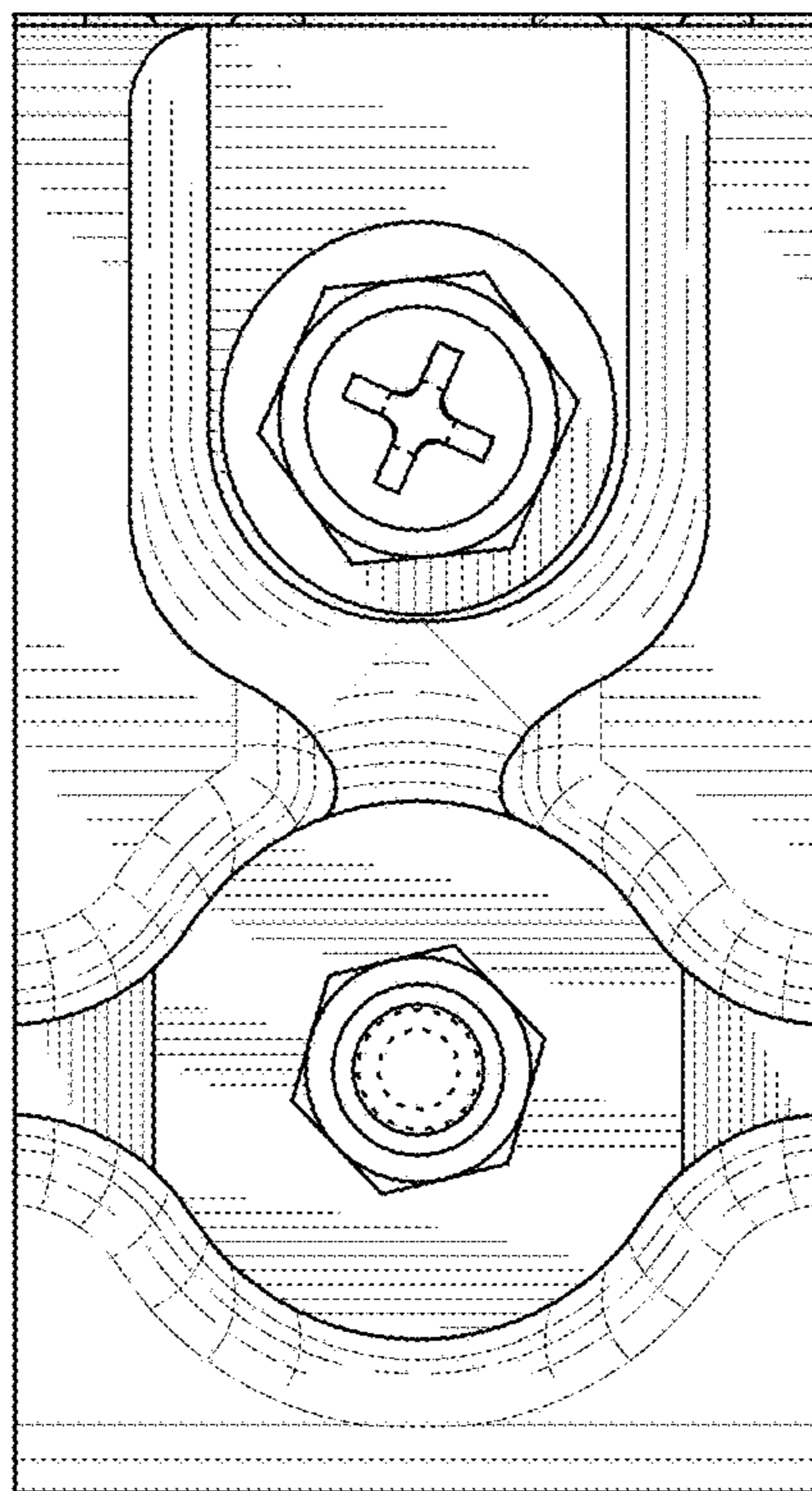


FIG.5

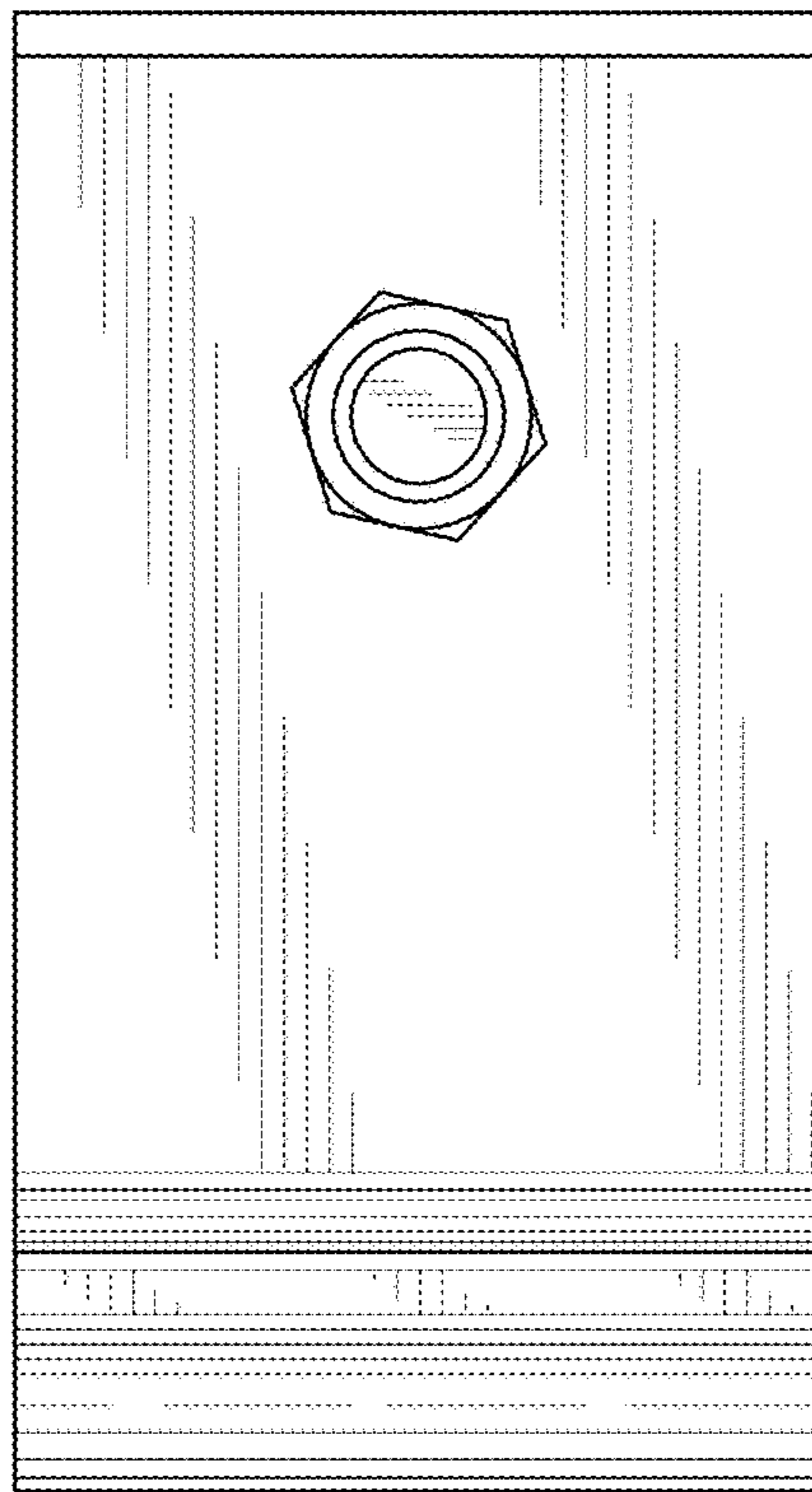


FIG.6

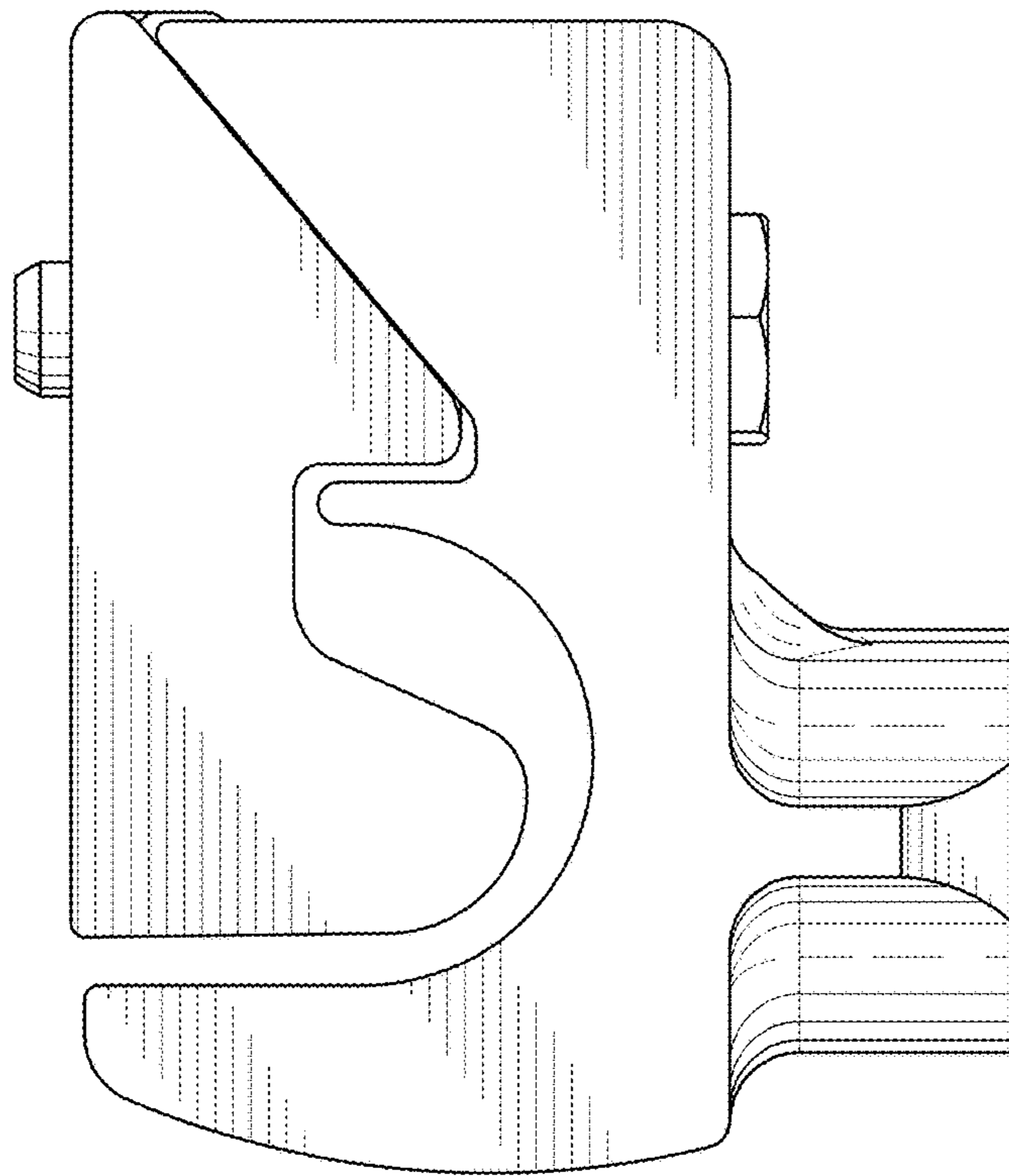


FIG.7

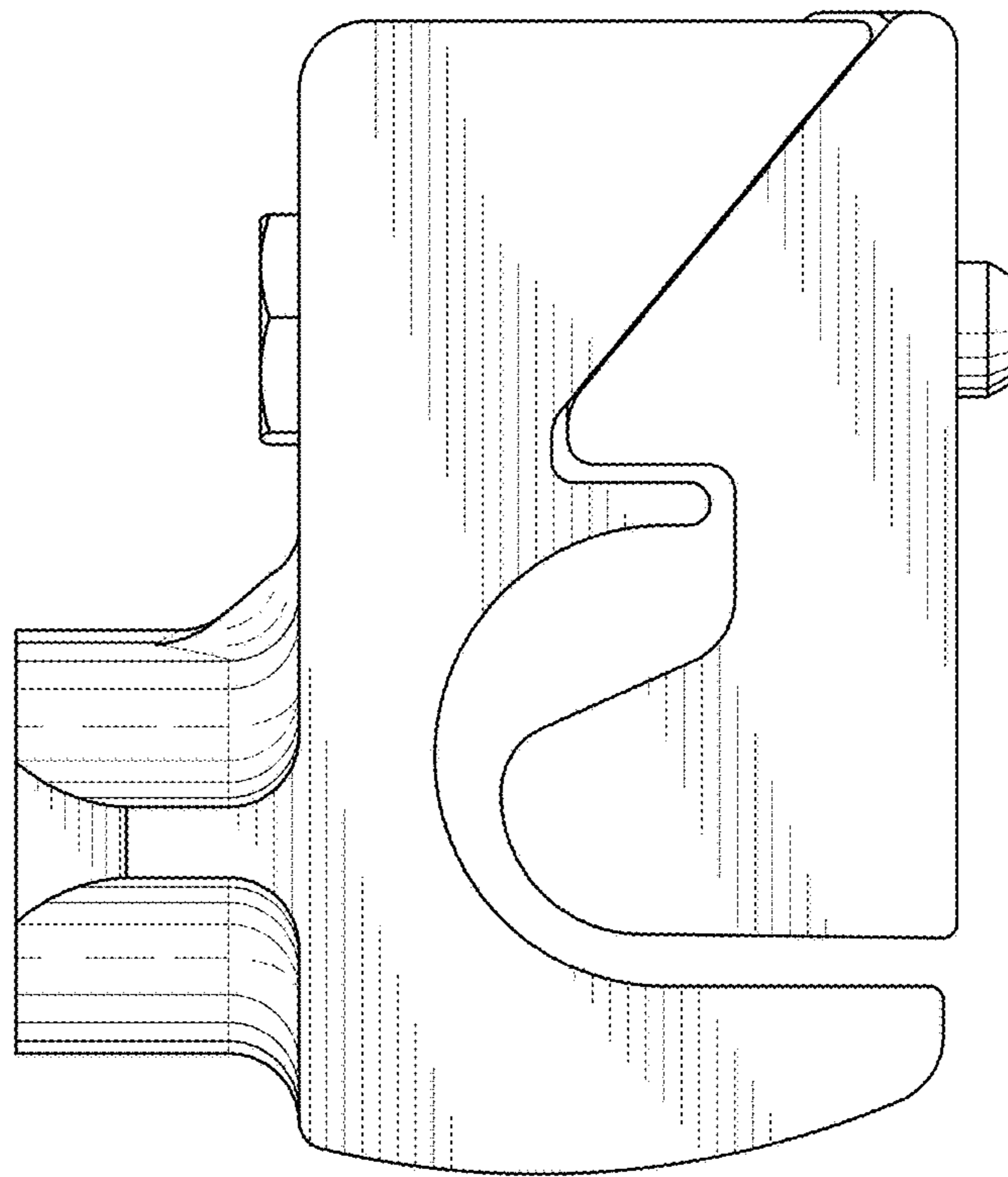


FIG.8