



US00D851482S

(12) **United States Design Patent**  
**Ferman**

(10) **Patent No.:** **US D851,482 S**  
(45) **Date of Patent:** **\*\* Jun. 18, 2019**

(54) **BRACKET**

(71) Applicant: **Michael Ferman**, Peakhurst (AU)

(72) Inventor: **Michael Ferman**, Peakhurst (AU)

(\*\*) Term: **15 Years**

(21) Appl. No.: **29/605,667**

(22) Filed: **May 30, 2017**

(30) **Foreign Application Priority Data**

Dec. 2, 2016 (AU) ..... 201616748

(51) **LOC (11) Cl.** ..... **08-05**

(52) **U.S. Cl.**  
USPC ..... **D8/381**

(58) **Field of Classification Search**  
USPC ..... D08/353, 356, 363, 366, 371, 373, 380,  
D08/381; D13/154; D14/140.6, 452;  
D24/127, 128, 234; D25/119, 120, 121  
CPC ..... A47B 87/00; A47B 96/02; A47B 96/06;  
A47B 57/06; A47B 87/005; A47B 57/34;  
A47B 96/021; A47B 96/061; B63B  
22/00; F16B 37/02; F21V 21/02; F21S  
8/00; G10K 1/26; G10K 1/28; G10K  
9/22; H02G 1/00

See application file for complete search history.

(56) **References Cited**

**U.S. PATENT DOCUMENTS**

D258,476 S \* 3/1981 Gilboy ..... D6/573  
4,327,888 A \* 5/1982 Scheneman ..... A47F 5/0823  
248/220.43  
D357,623 S \* 4/1995 Davis ..... D8/354  
D443,810 S \* 6/2001 Ausilio ..... D8/354  
6,513,776 B1 \* 2/2003 Bissett ..... B05B 13/02  
173/171  
D485,109 S \* 1/2004 Oberhaus ..... D6/574

D508,646 S \* 8/2005 Gates ..... D8/381  
D548,065 S \* 8/2007 Zhu ..... D8/380  
D569,331 S \* 5/2008 Gassew ..... D12/317  
D605,931 S \* 12/2009 Piersant ..... D8/381  
7,828,263 B2 \* 11/2010 Bennett ..... E04G 17/14  
249/2  
D709,358 S \* 7/2014 Fugett ..... D8/380  
D715,339 S \* 10/2014 Oetlinger ..... D15/138

**OTHER PUBLICATIONS**

Iron Shelf Bracket, posted Dec. 17, 2015, [retrieved Apr. 26, 2018].  
Retrieved from Internet, <URL: <https://www.wayfair.com/home/pdp/rch-supply-company-iron-shelf-bracket-rhsu1035.html> >.\*

A型ブラケットシリーズ, posted unknown, [retrieved Apr. 26, 2018].  
Retrieved from Internet, <URL: <https://jp.misumi-ec.com/vona2/detail/221000538023/?CategorySpec=00000057417%3a%3aa> >.\*

(Continued)

*Primary Examiner* — Barbara Fox

*Assistant Examiner* — Kristin E Reed

(74) *Attorney, Agent, or Firm* — Griffin nd Szipl PC

(57) **CLAIM**

The ornamental design for a bracket, as shown and described.

**DESCRIPTION**

FIG. 1 is a front perspective view of a bracket showing my new design;

FIG. 2 is a bottom view thereof;

FIG. 3 is a top view thereof;

FIG. 4 is a front view thereof;

FIG. 5 is a rear perspective view thereof;

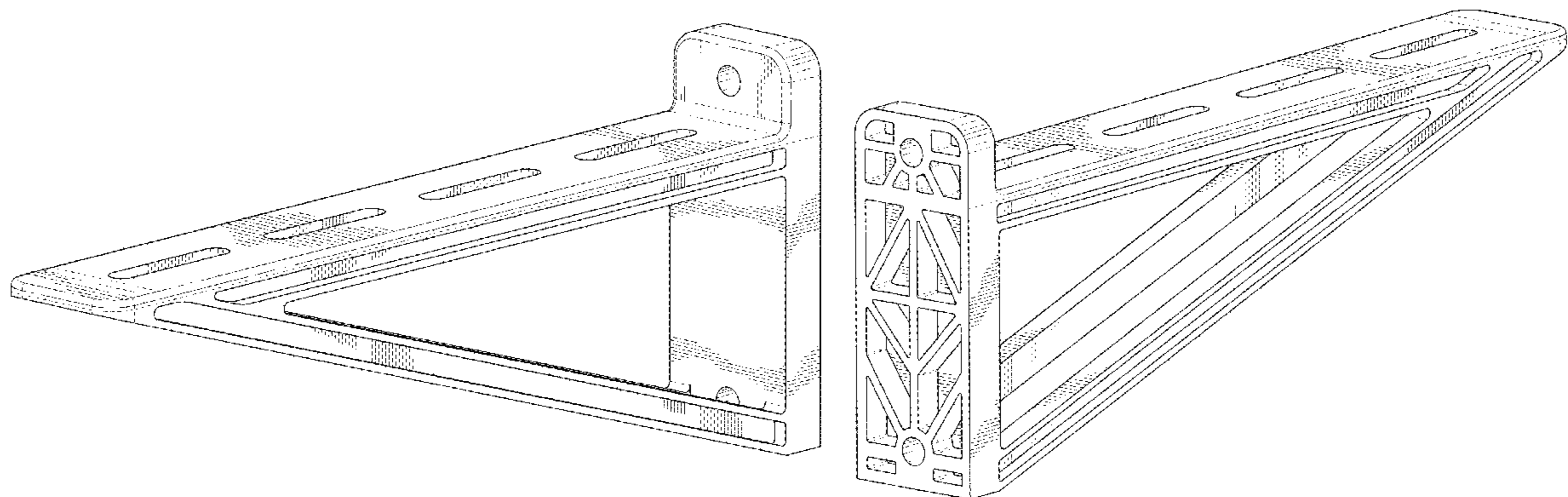
FIG. 6 is a rear view thereof;

FIG. 7 is a right side view thereof; and,

FIG. 8 is a left side view thereof.

The broken lines shown in the drawings depict portions of the bracket that form no part of the claimed design.

**1 Claim, 8 Drawing Sheets**



(56)

**References Cited**

OTHER PUBLICATIONS

Triangle Support Bracket, posted 2018, [retrieved Apr. 26, 2018]. Retrieved from Internet, <URL: <https://catalog.chatsworth.com/cable-runway-tray/wire-mesh-cable-tray/triangle-support-bracket> >.\*  
Da-Lite 98036 #11 Wall Mount Brackets (Extends 14", Pair, Black), posted Sep. 27, 2011, [retrieved Apr. 26, 2018]. Retrieved from Internet, <URL: [https://www.bhphotovideo.com/c/product/600025-REG/Da\\_Lite\\_98036\\_98036\\_11\\_Wall\\_Mount.html](https://www.bhphotovideo.com/c/product/600025-REG/Da_Lite_98036_98036_11_Wall_Mount.html) >.\*

\* cited by examiner

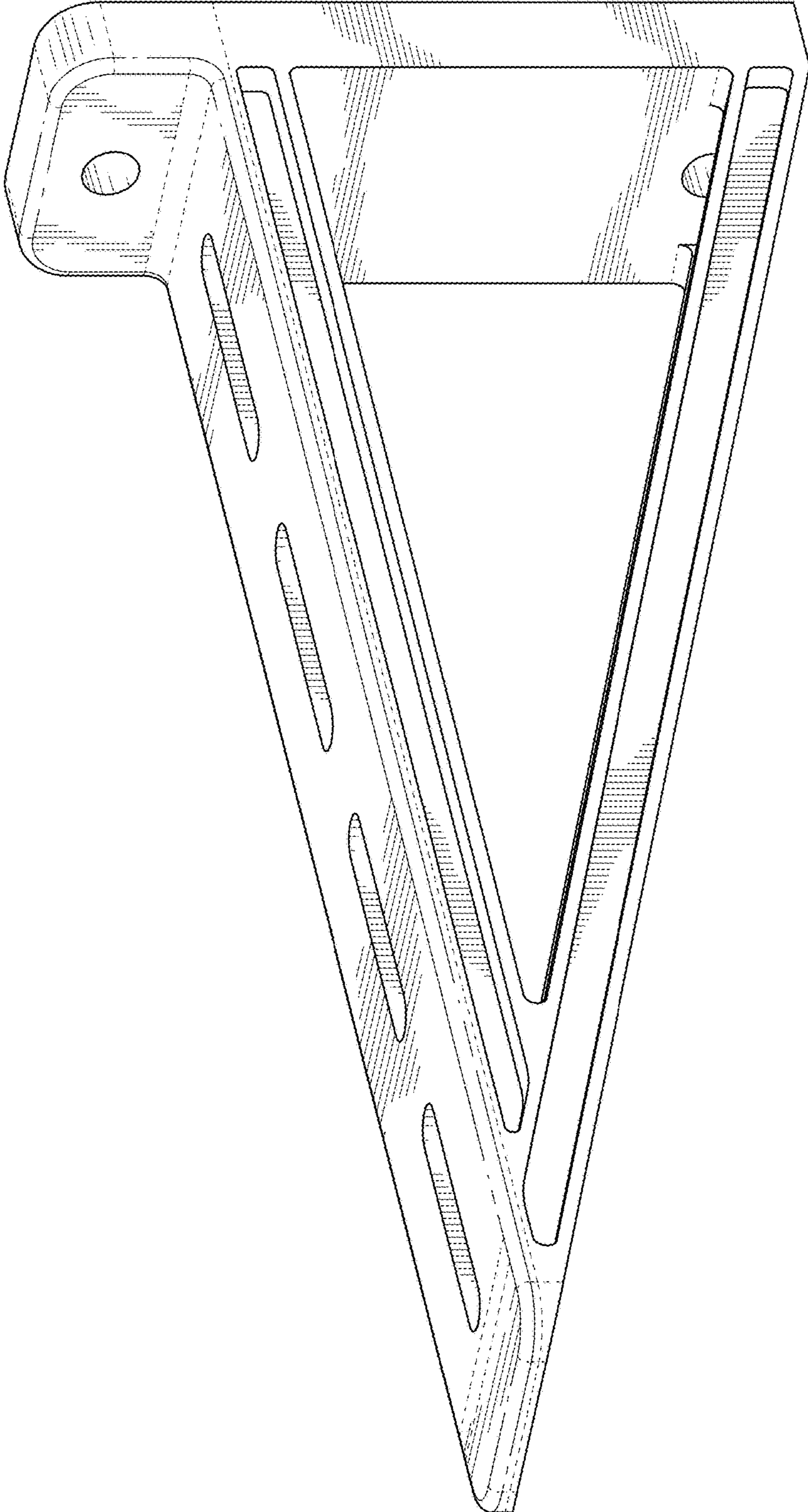


FIG.1

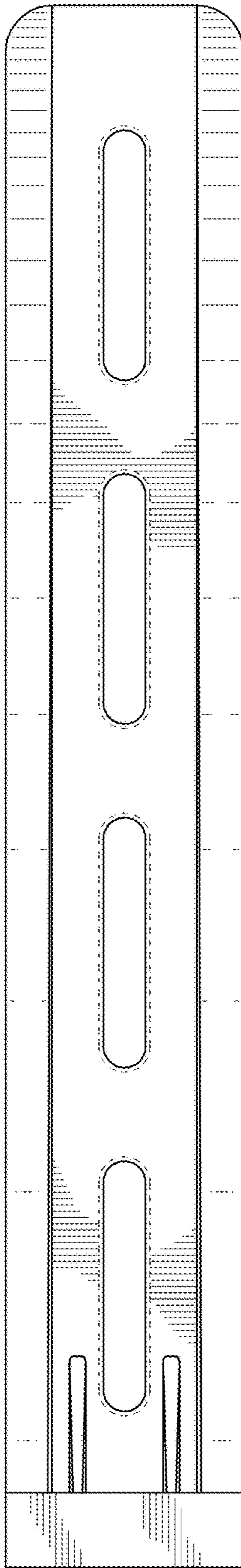


FIG. 2

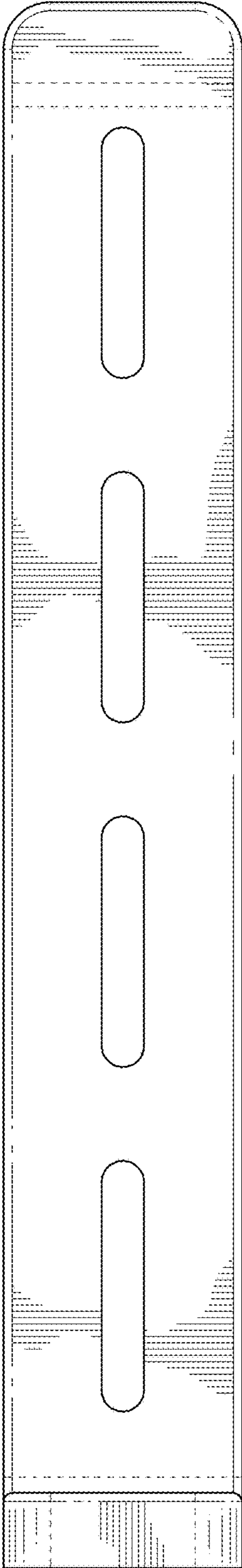


FIG. 3

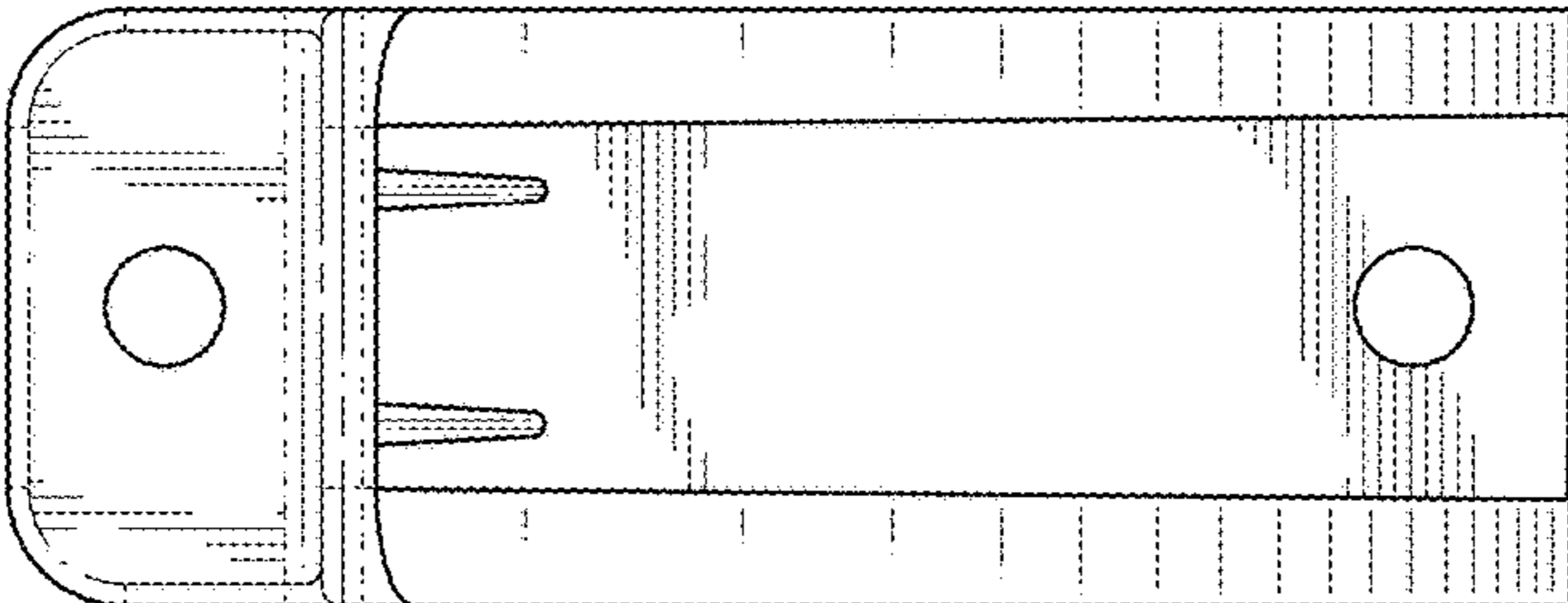


FIG.4

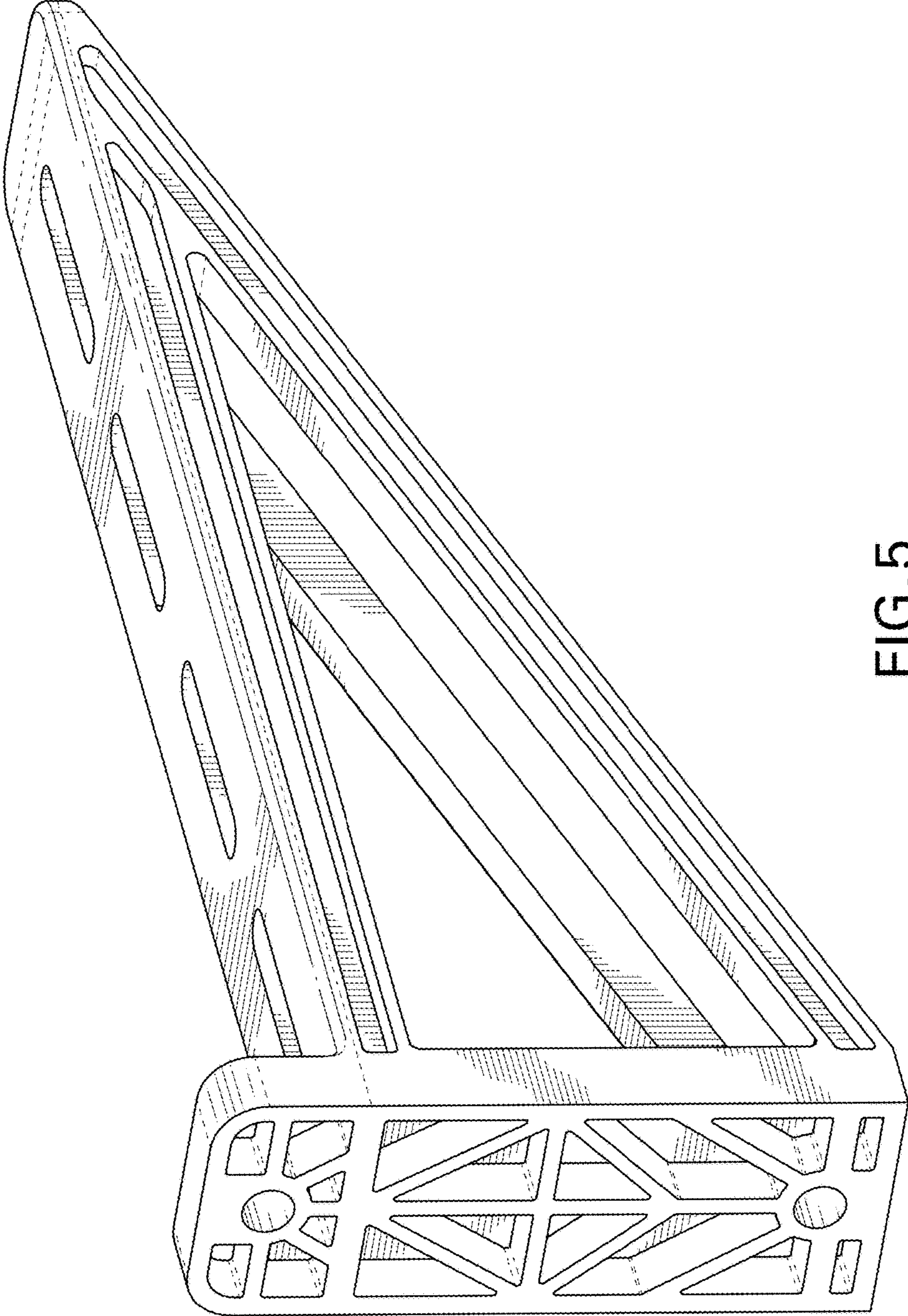


FIG. 5

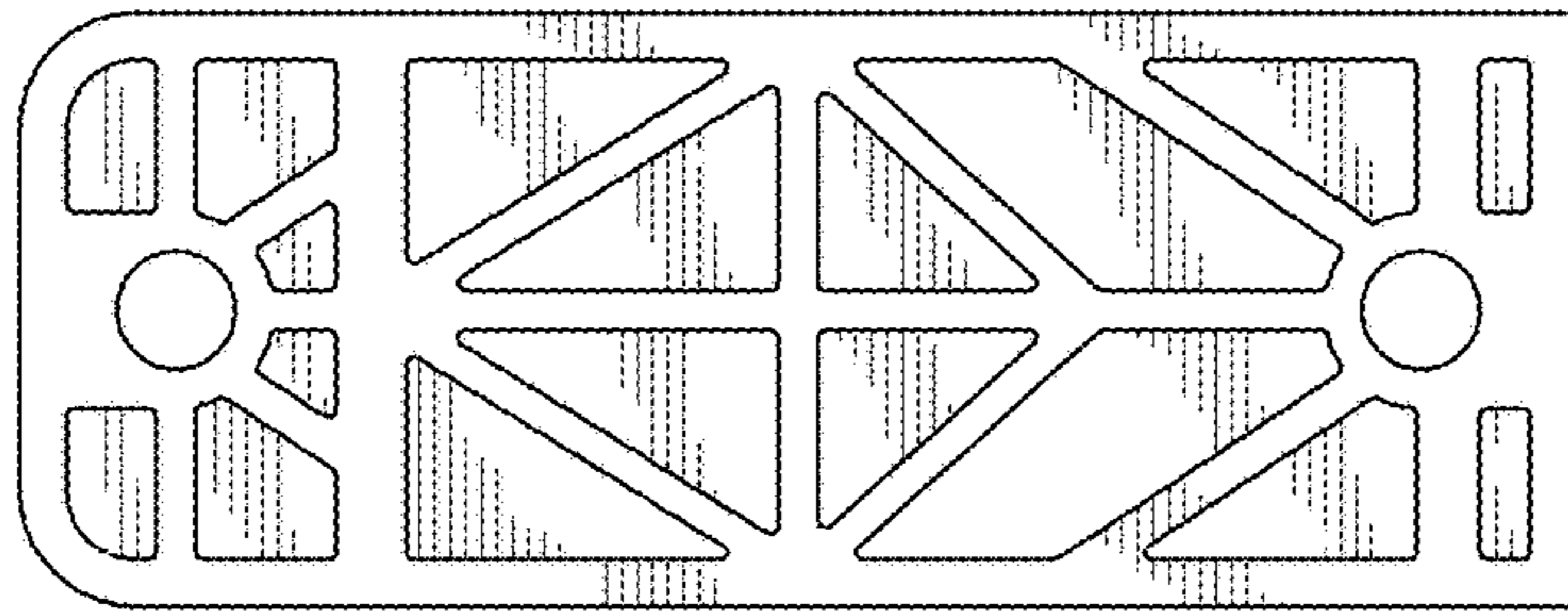


FIG. 6



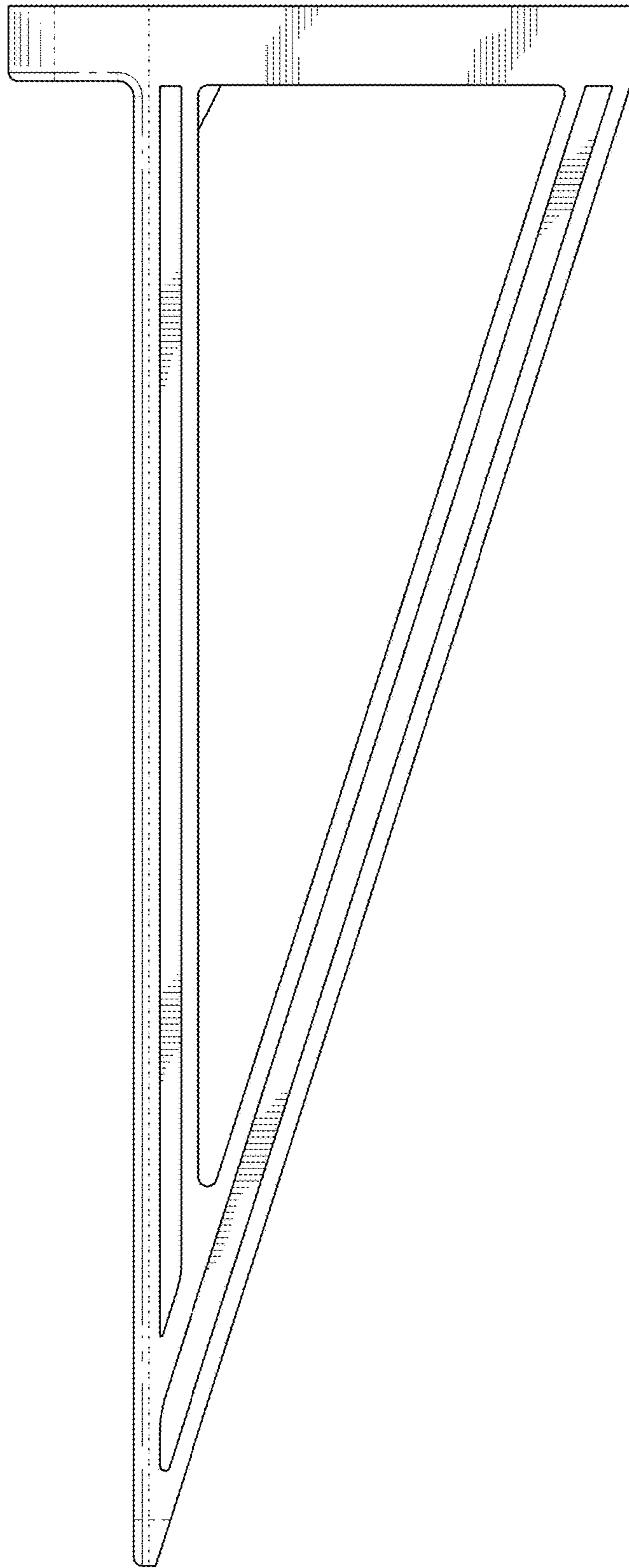


FIG. 7

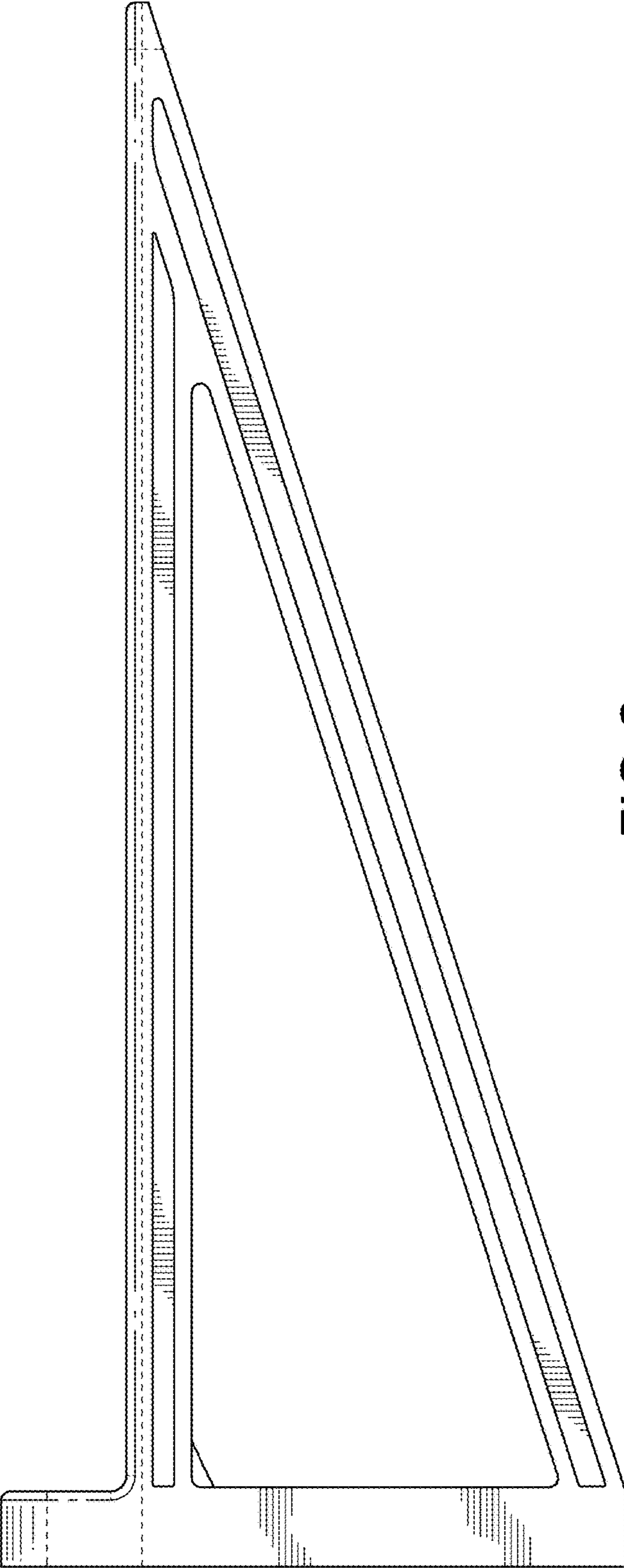


FIG. 8