



US00D851481S

(12) **United States Design Patent** (10) **Patent No.:** **US D851,481 S**
Blom (45) **Date of Patent:** **** Jun. 18, 2019**

(54) **HANGING DEVICE**
(71) Applicant: **Dan Lennart Blom**, Chino, CA (US)
(72) Inventor: **Dan Lennart Blom**, Chino, CA (US)
(73) Assignee: **Aqua Star, Inc.**, Chino, CA (US)
(**) Term: **15 Years**
(21) Appl. No.: **29/583,452**
(22) Filed: **Nov. 4, 2016**
(51) **LOC (11) Cl.** **08-05**
(52) **U.S. Cl.**
USPC **D8/354**; D6/546
(58) **Field of Classification Search**
USPC D8/16, 19, 354, 355, 372, 367, 376, 349,
D8/363, 370, 371, 382, 373, 44, 18;
D6/323, 324, 327, 328, 512, 524, 526,
D6/531, 534, 538, 553, 554; D22/199;
D29/101.1; D34/33; D32/53, 54;
D24/128, 184; D14/376, 452; D25/68,
D25/134, 62
CPC A47K 10/14
See application file for complete search history.

D757,529 S * 5/2016 Chen D8/373
D790,328 S * 6/2017 Hall D6/323
D820,663 S * 6/2018 Jang D8/349

* cited by examiner

Primary Examiner — Eliza Z Bennett-Hattan
(74) *Attorney, Agent, or Firm* — Hankin Patent Law,
APC; Kevin Schraven; Anooj Patel

(57) **CLAIM**

The ornamental design for a hanging device, as shown and described.

DESCRIPTION

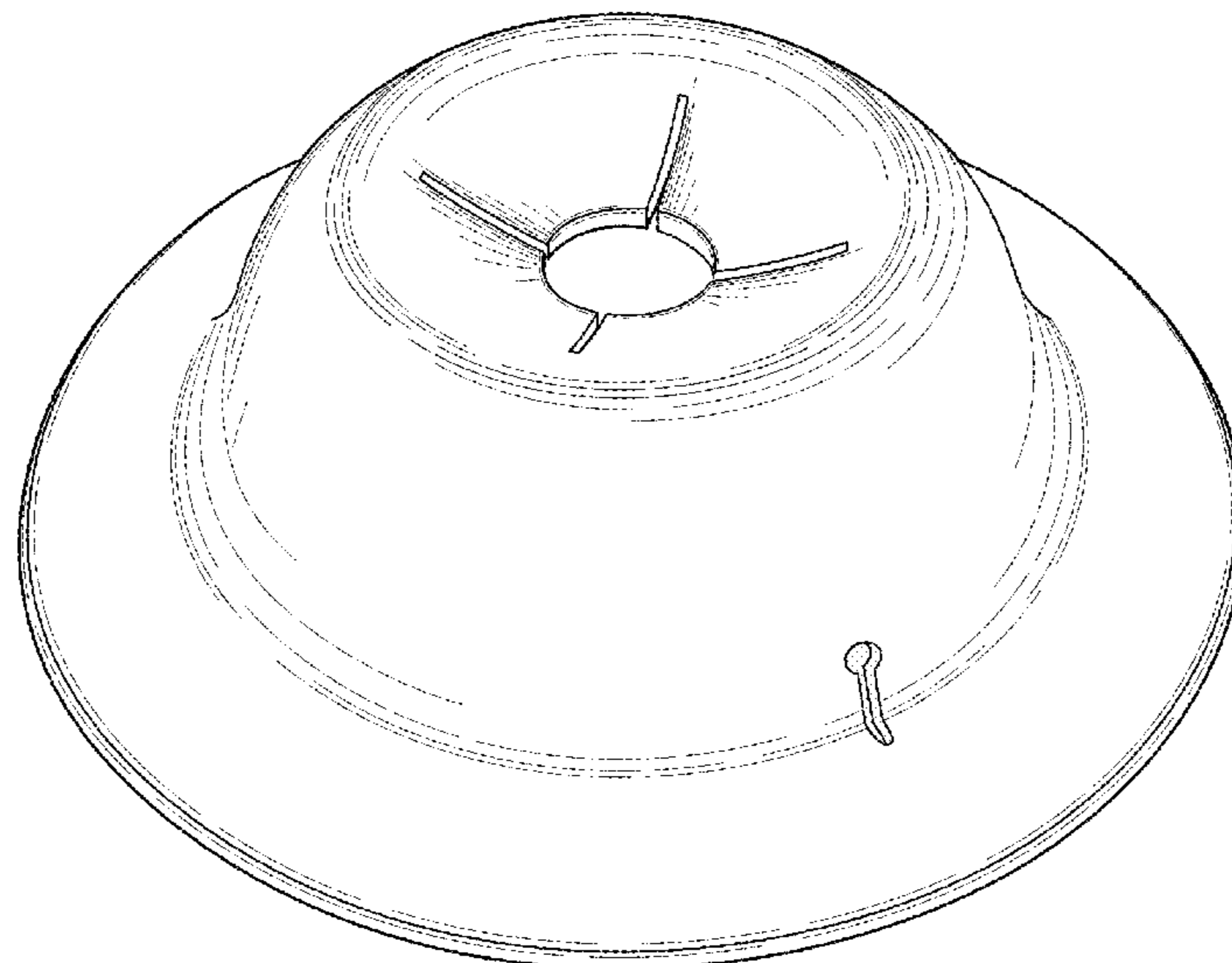
FIG. 1 is a top perspective view of a first embodiment of a hanging device, showing my new design.
FIG. 2 is a bottom perspective view thereof.
FIG. 3 is a front elevational view thereof.
FIG. 4 is a rear elevational view thereof.
FIG. 5 is a left side elevational view thereof.
FIG. 6 is a right side elevational view thereof.
FIG. 7 is a top plan view thereof.
FIG. 8 is a bottom plan view thereof.
FIG. 9 is a top perspective view of a second embodiment of a hanging device, showing my new design.
FIG. 10 is a bottom perspective view thereof.
FIG. 11 is a front elevational view thereof.
FIG. 12 is a rear elevational view thereof.
FIG. 13 is a left side elevational view thereof.
FIG. 14 is a right side elevational view thereof.
FIG. 15 is a top plan view thereof; and,
FIG. 16 is a bottom plan view thereof.
The broken lines directly adjacent the shaded areas represents the unclaimed boundary of the claim while all other broken lines represent unclaimed portions of the hanging device and form not part of the claimed design.

(56) **References Cited**

U.S. PATENT DOCUMENTS

D346,950 S * 5/1994 Dunn D8/367
D479,978 S * 9/2003 Watabe D8/356
D480,942 S * 10/2003 Ishida D8/356
D494,455 S * 8/2004 Winter D6/550
D522,846 S * 6/2006 Suero, Jr. D8/376
D543,754 S * 6/2007 Bauer D6/550
D565,937 S * 4/2008 Tsai D6/550
D625,985 S * 10/2010 Mori H02G 3/32
D8/356
D637,877 S * 5/2011 Elkins D8/44
D667,720 S * 9/2012 Berkowitz D8/367
D737,127 S * 8/2015 Yeh D8/382

1 Claim, 16 Drawing Sheets



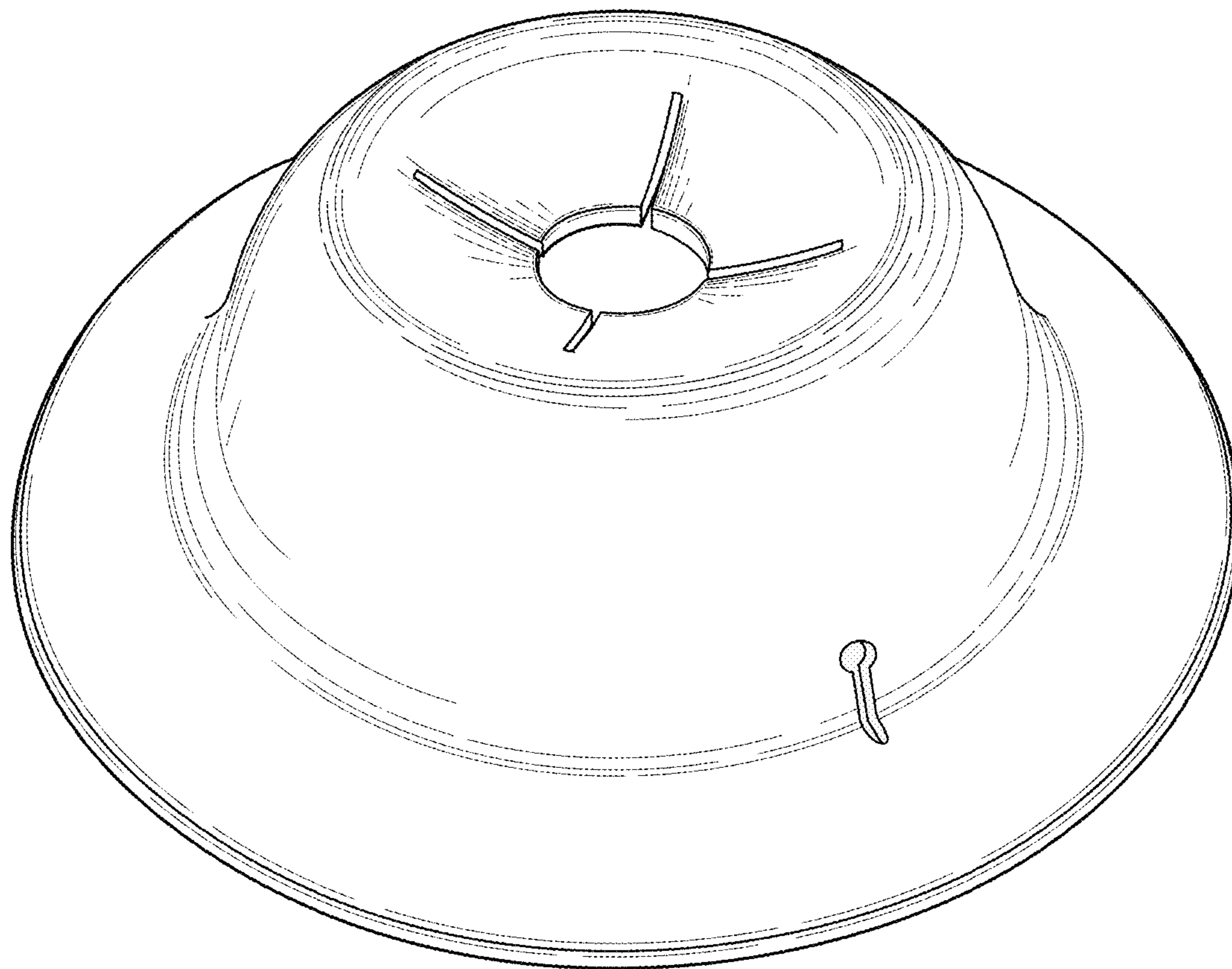


Fig. 1

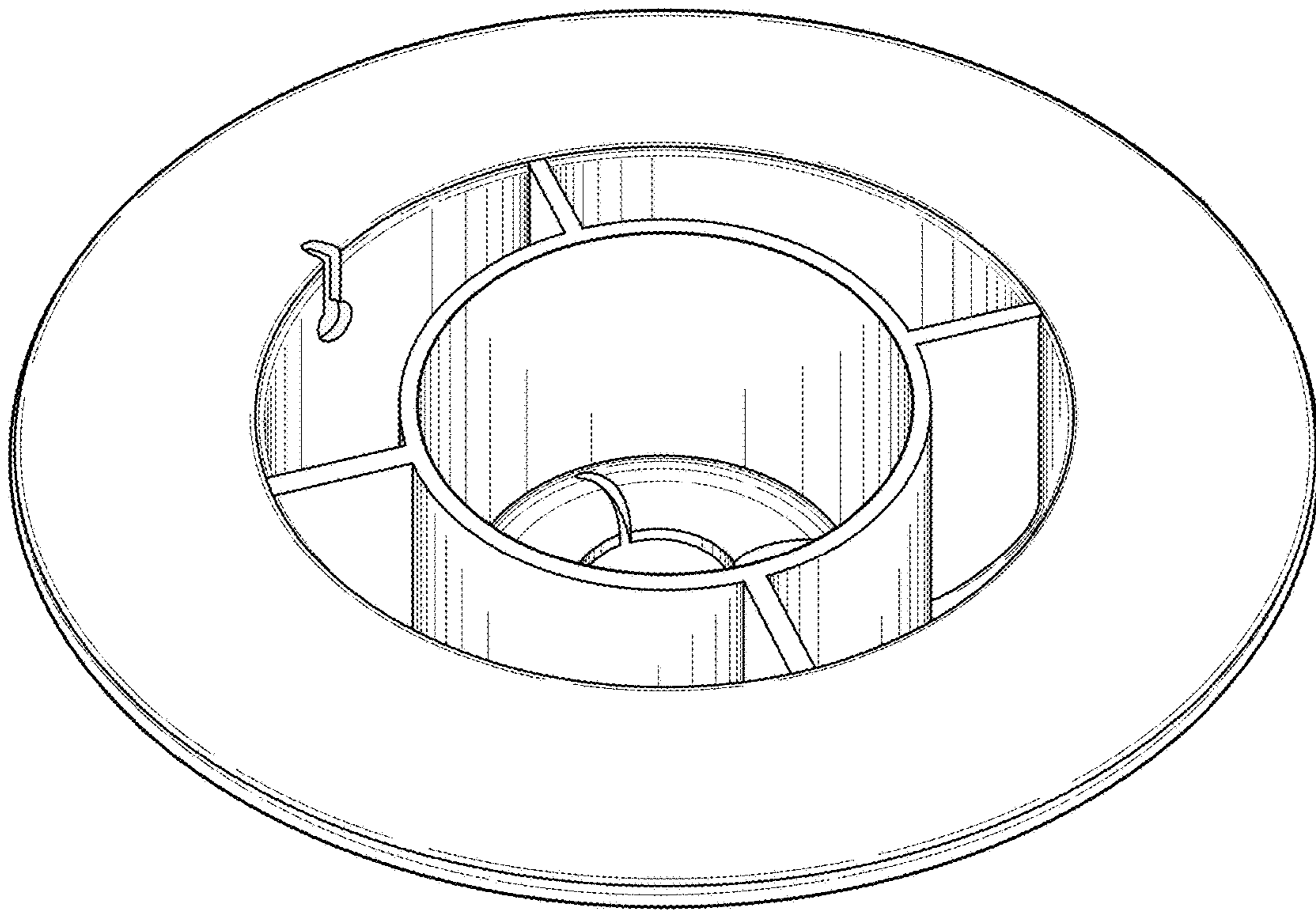


Fig.2

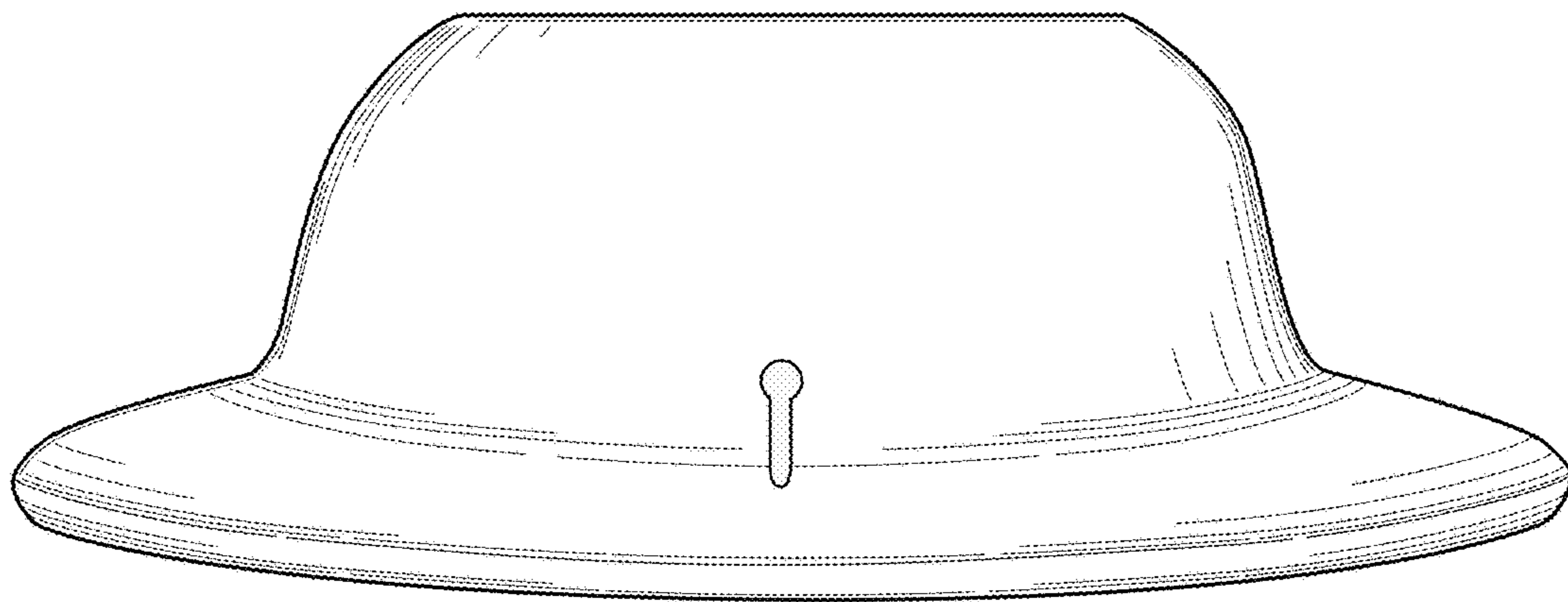


Fig.3

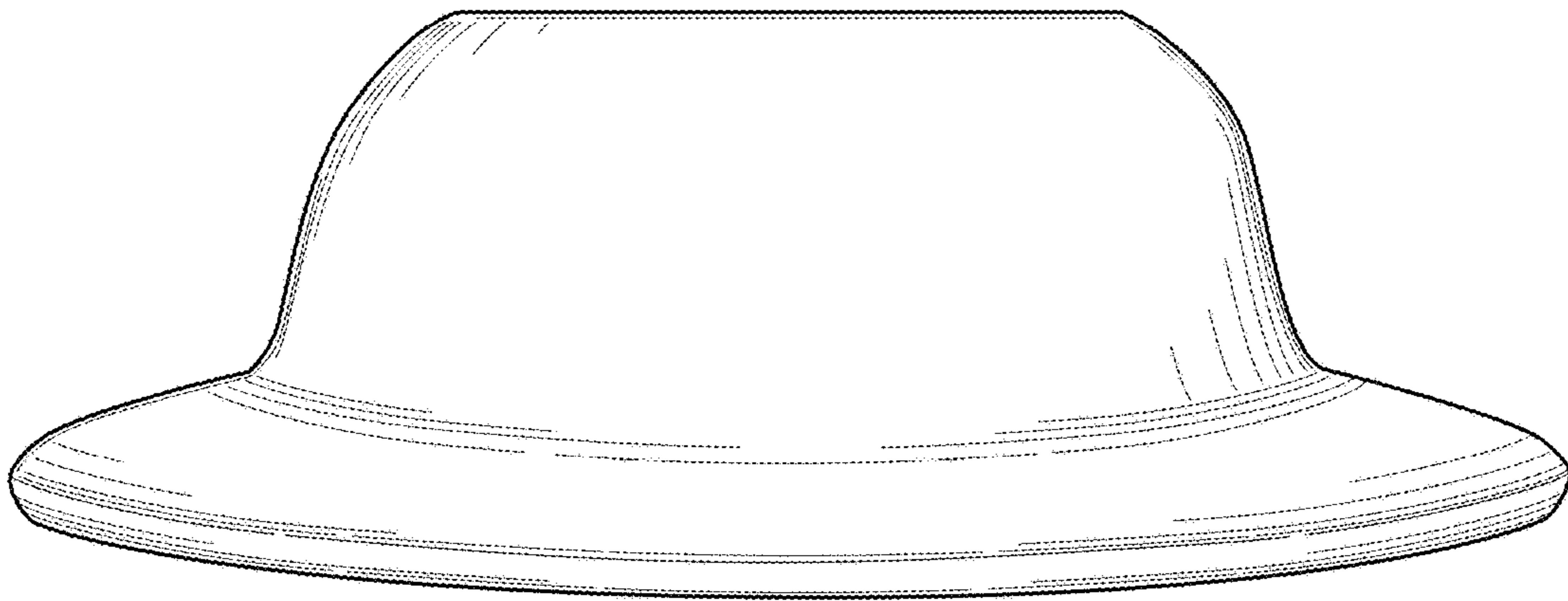


Fig.4

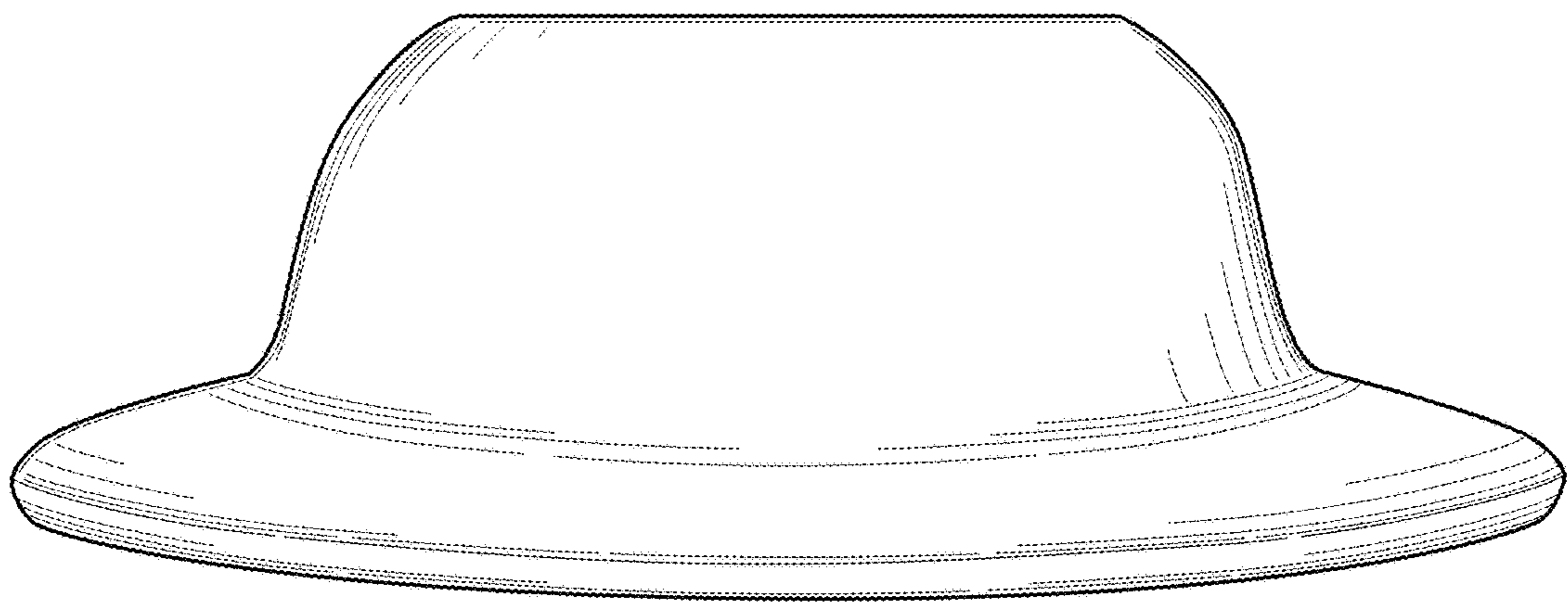


Fig.5

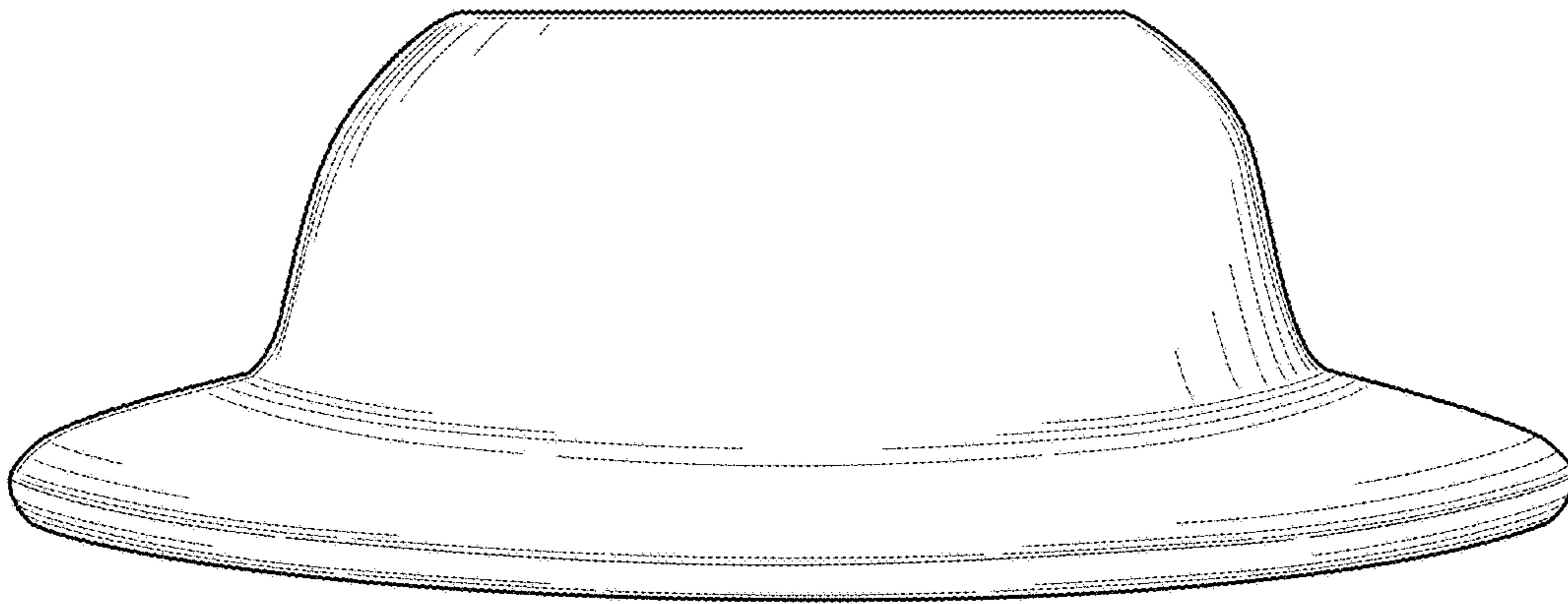


Fig.6

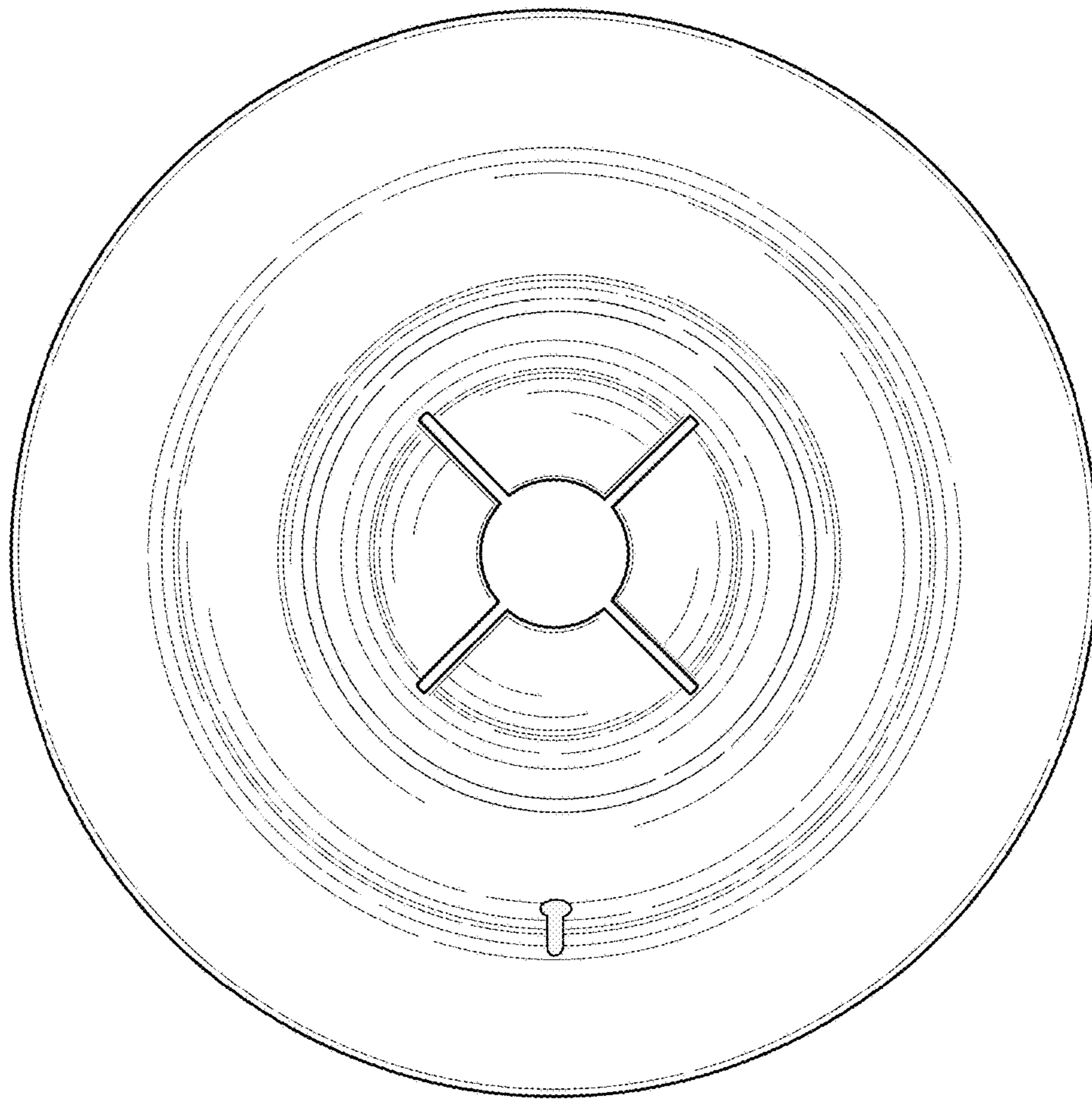


Fig. 7

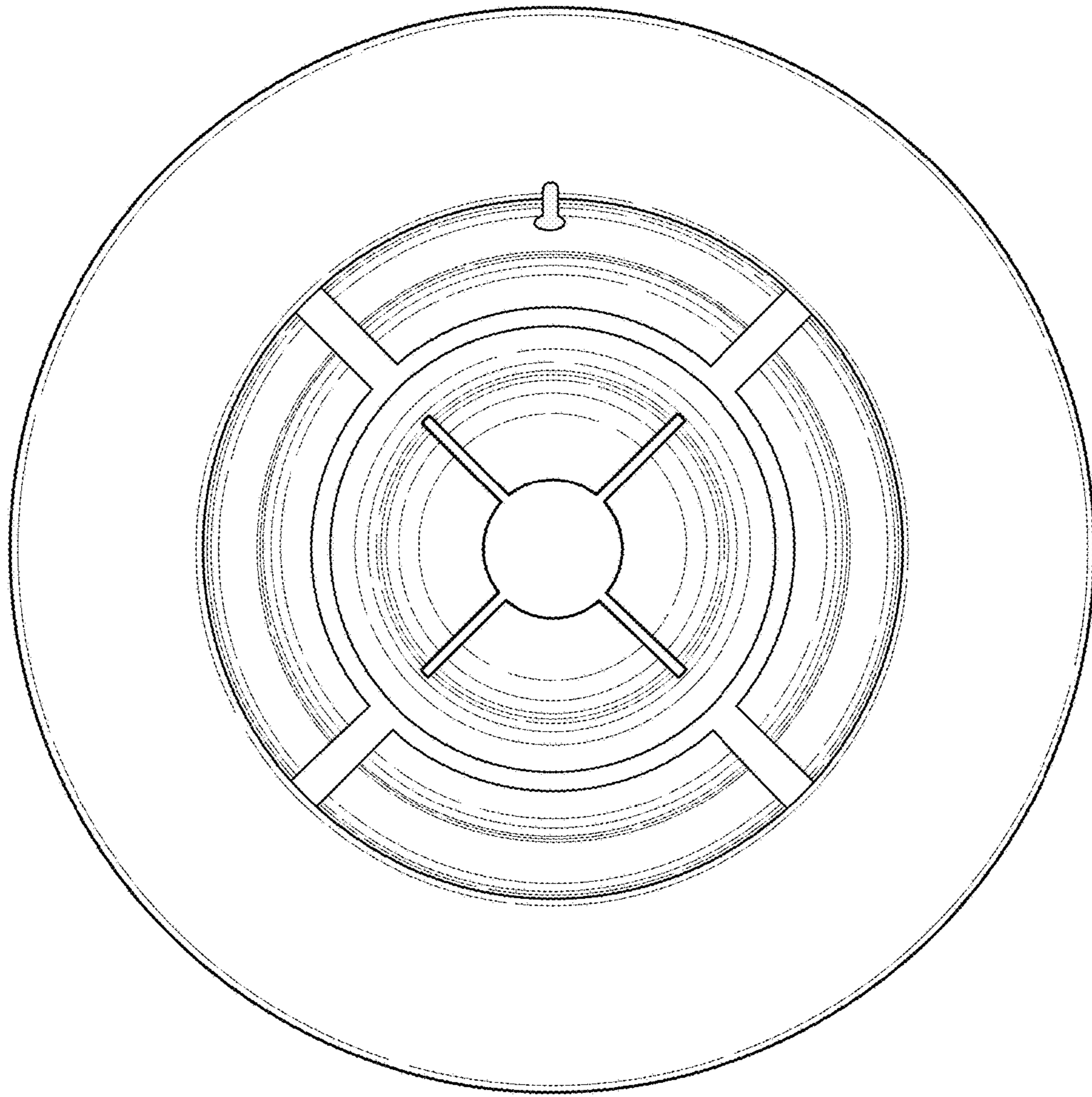


Fig.8

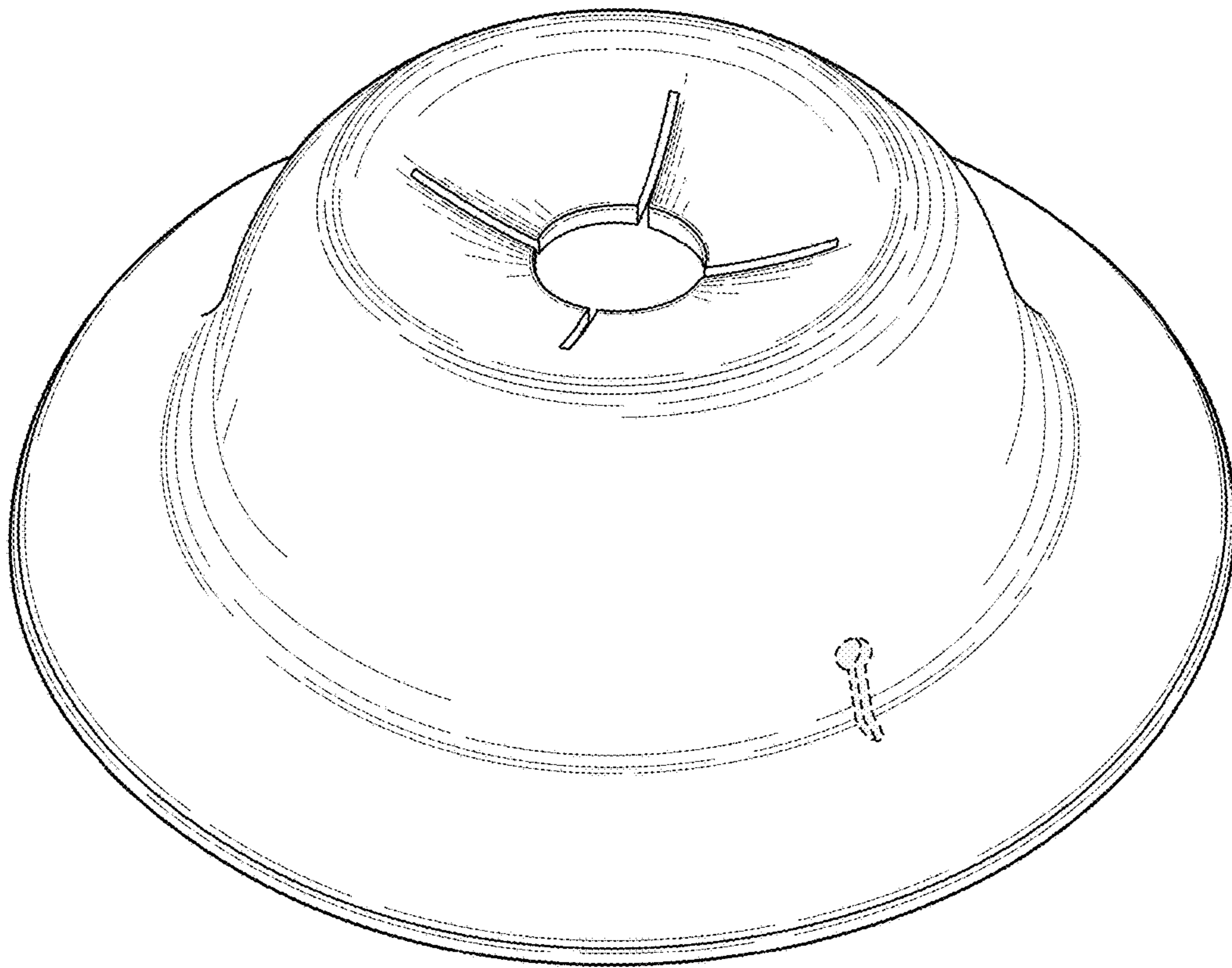


Fig.9

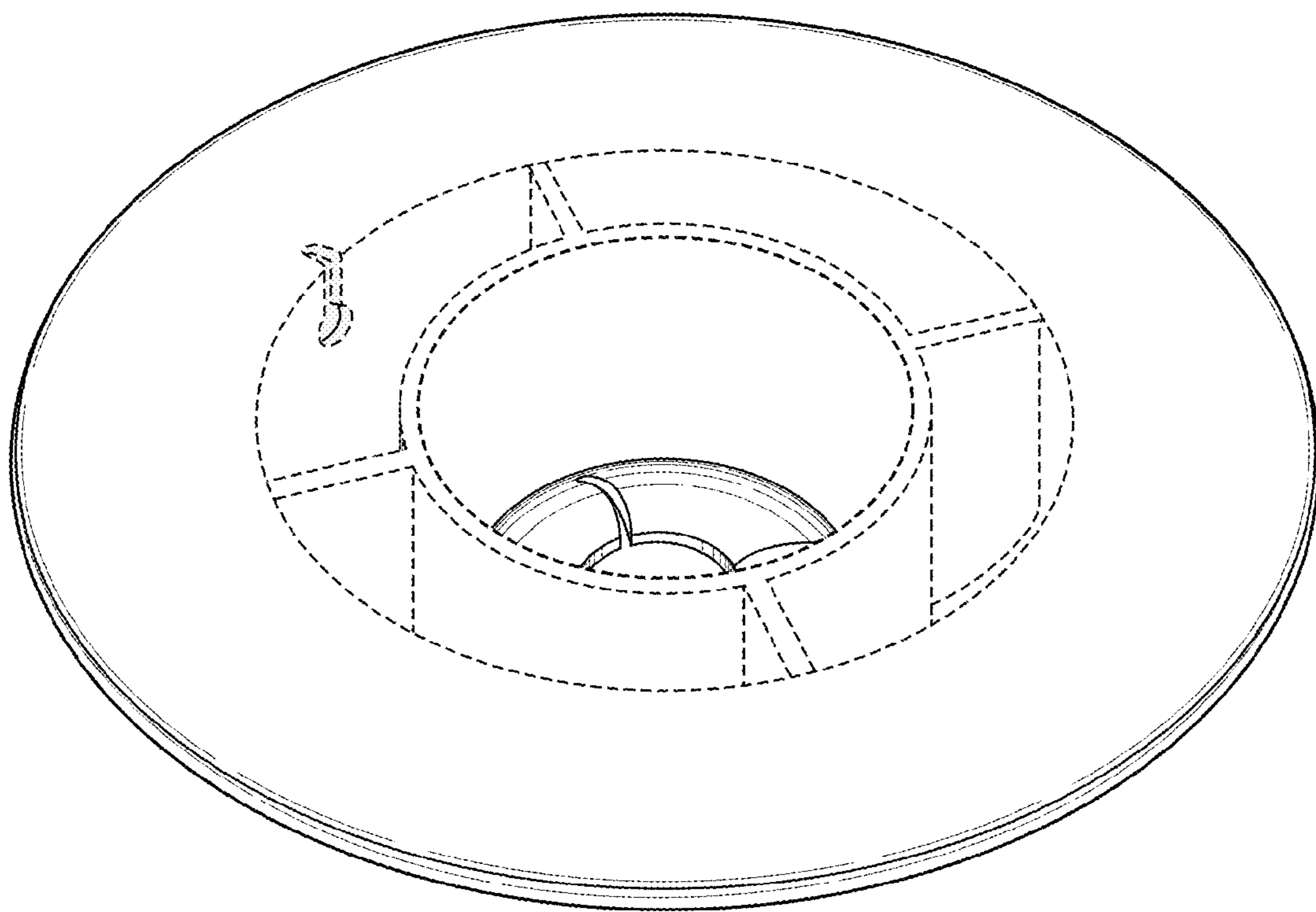


Fig.10

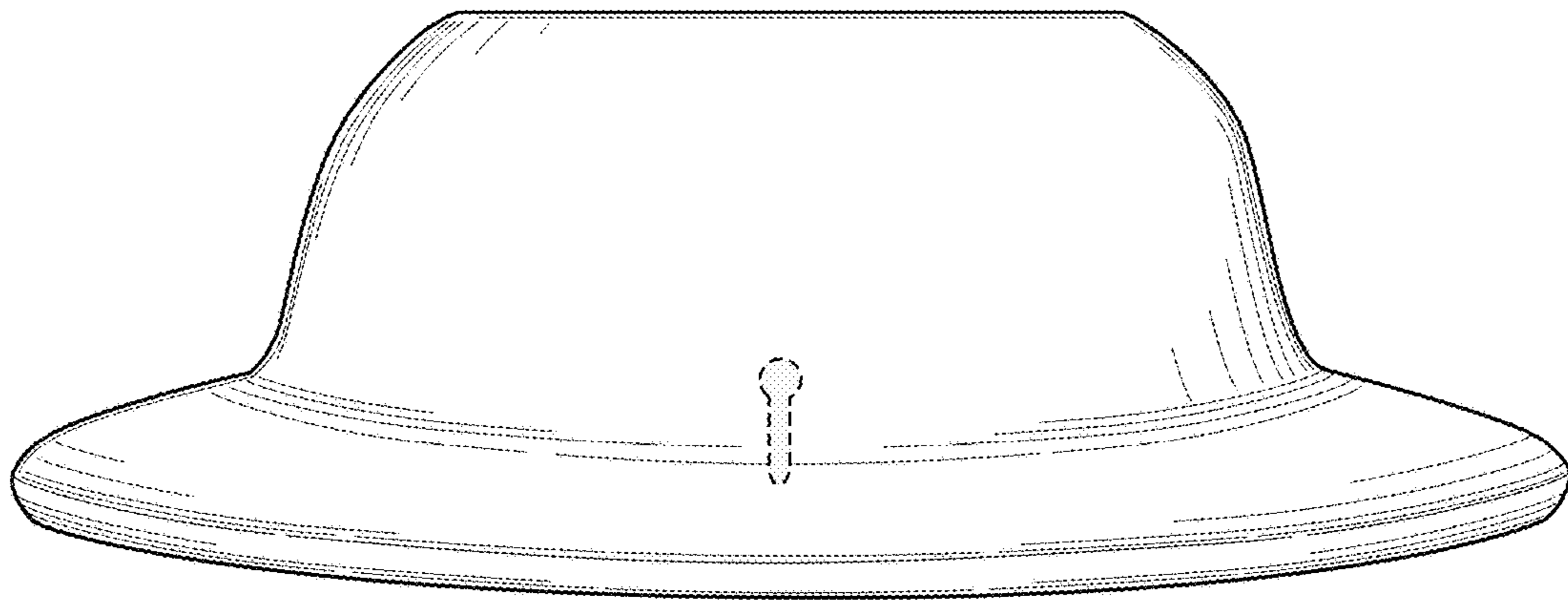


Fig. 11

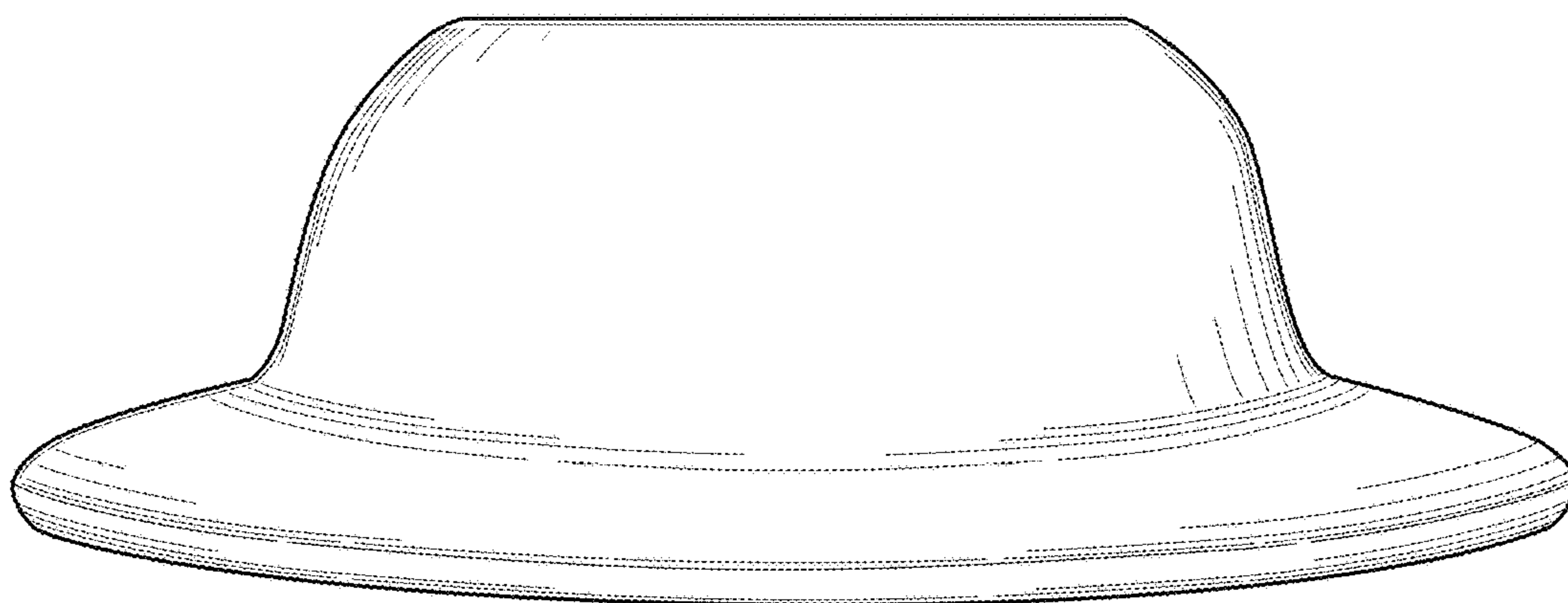


Fig. 12

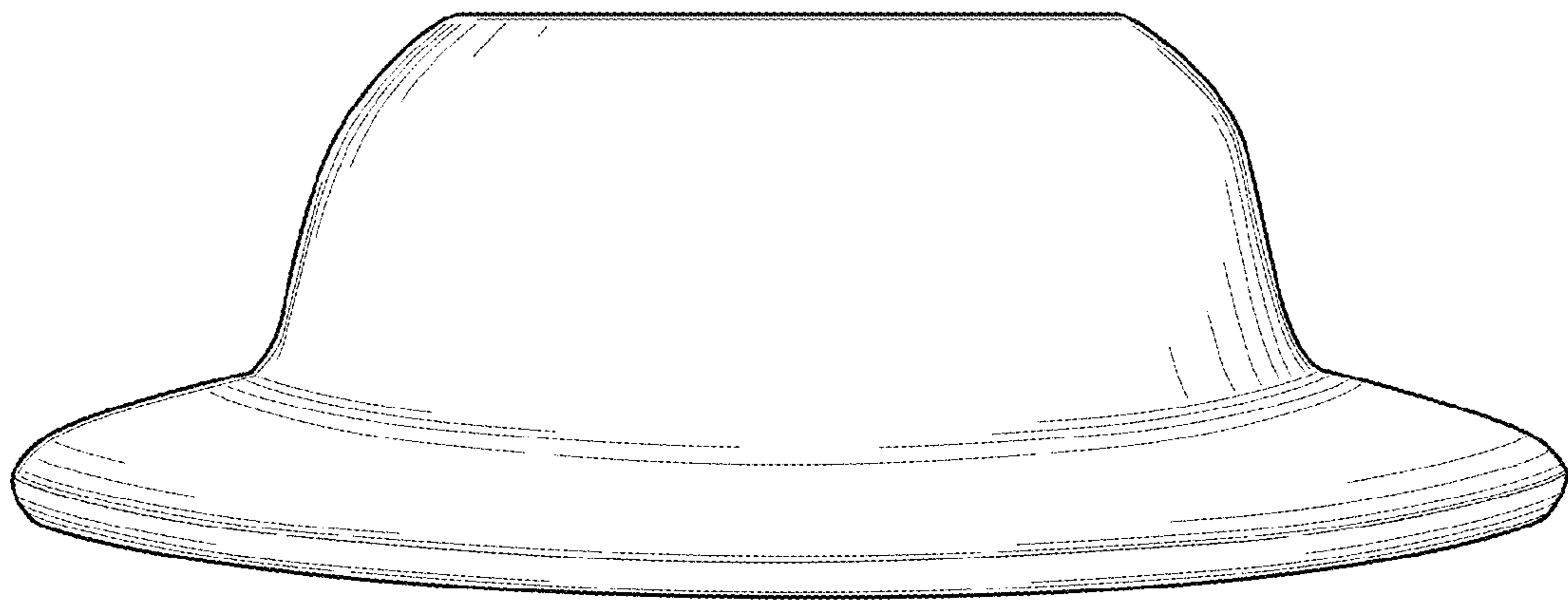


Fig. 13

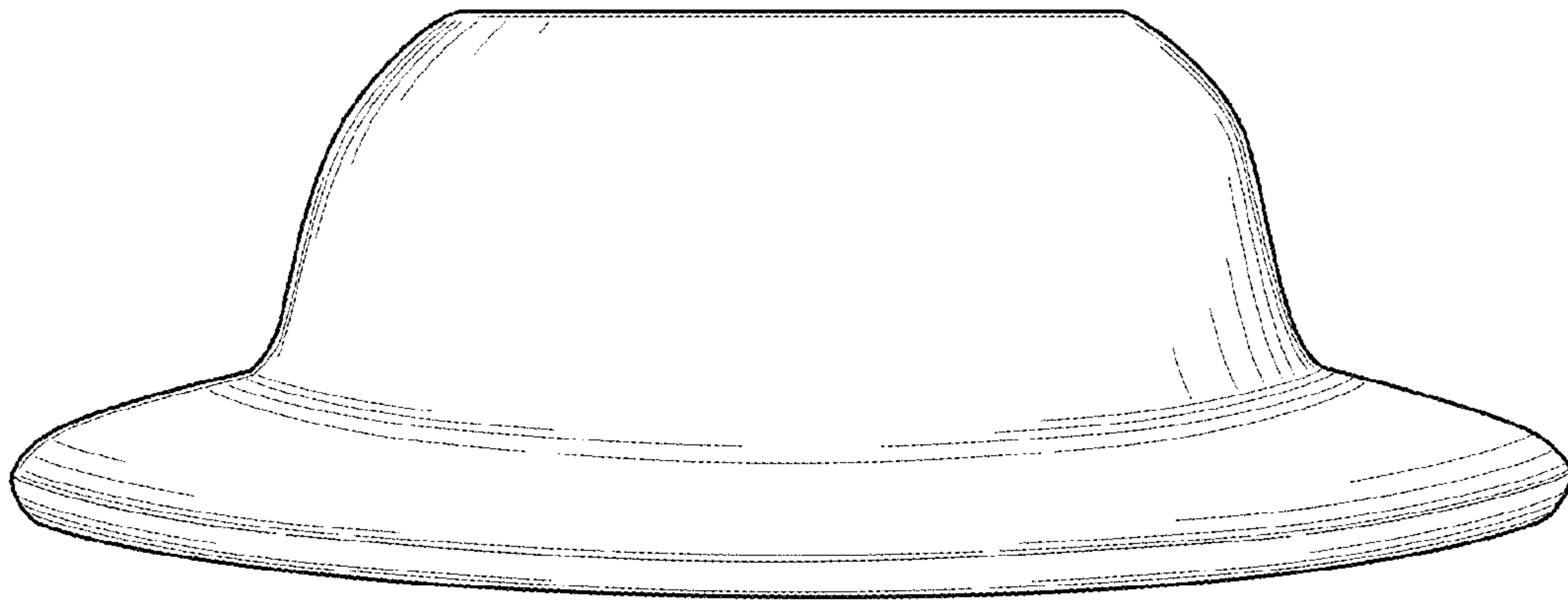


Fig.14

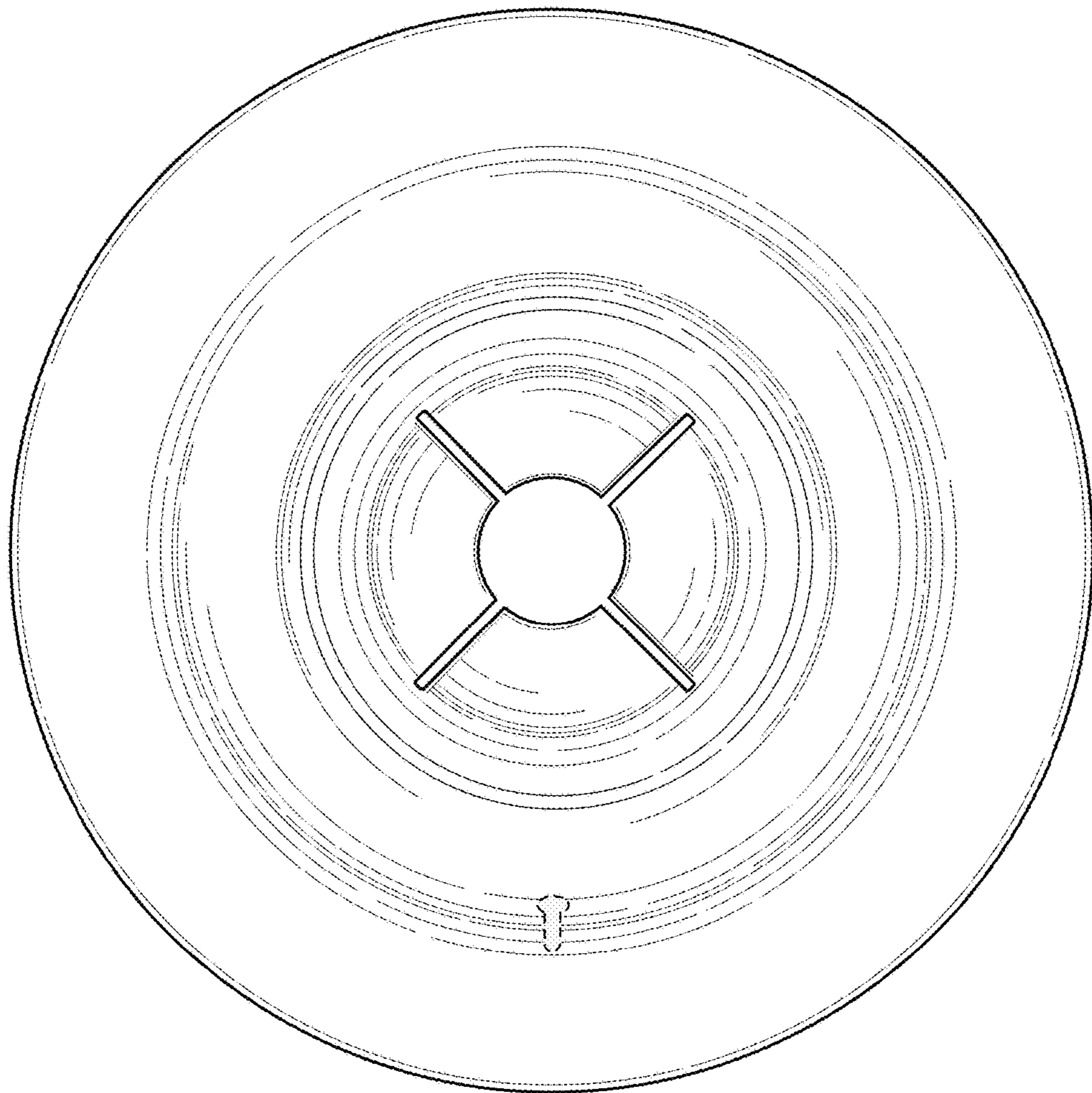


Fig. 15

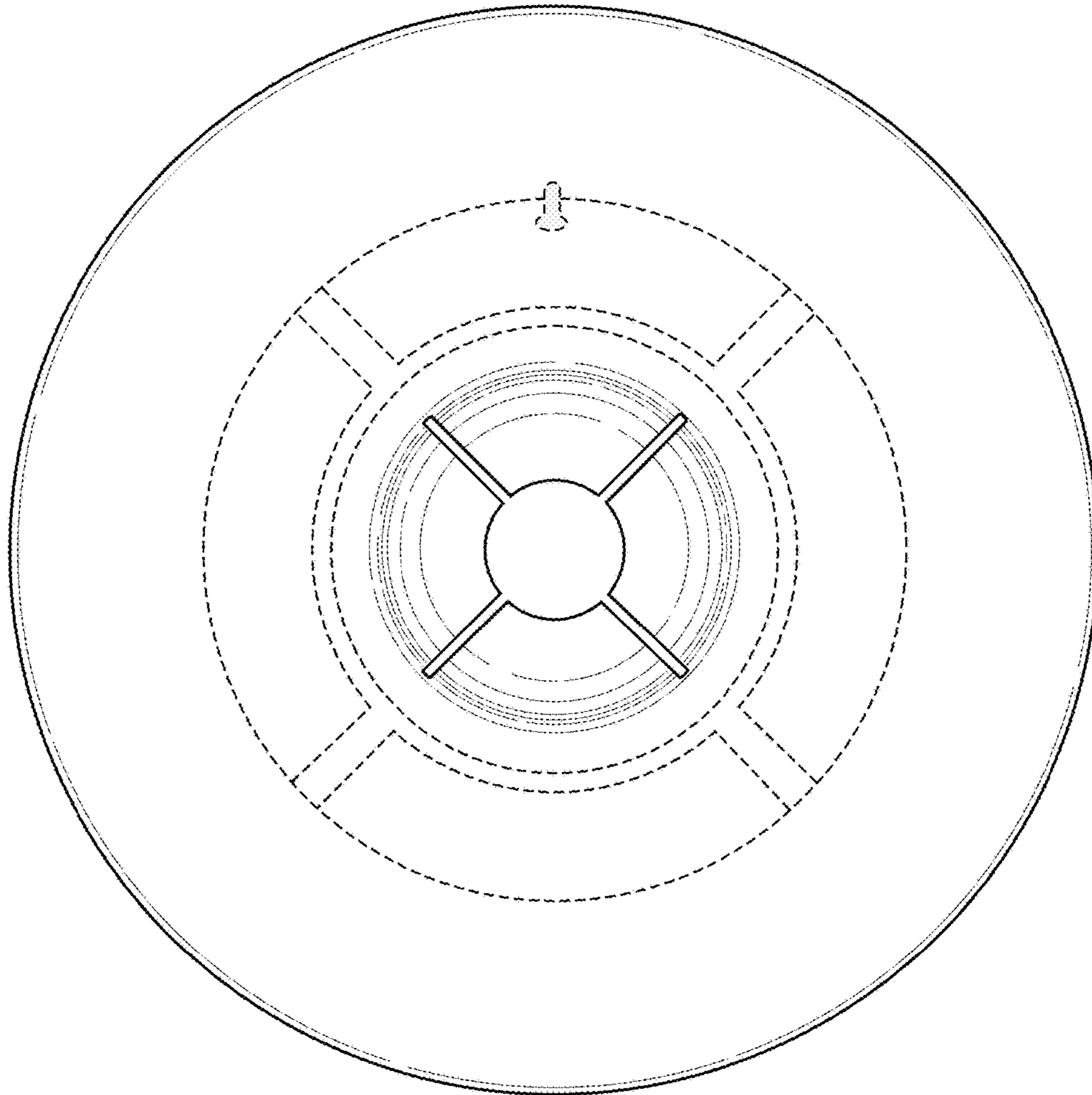


Fig.16