



US00D851480S

(12) **United States Design Patent** (10) **Patent No.:** **US D851,480 S**
Maki (45) **Date of Patent:** **** Jun. 18, 2019**

(54) **RAILWAY HOSE SUPPORT BRACKET**

4,301,932 A 11/1981 Altherr
 4,986,500 A 1/1991 Campbell
 6,568,649 B1 5/2003 Schmitt

(71) Applicant: **Ireco, LLC**, Bensenville, IL (US)

(Continued)

(72) Inventor: **Brian G. Maki**, Wood Dale, IL (US)

FOREIGN PATENT DOCUMENTS

(73) Assignee: **IRECO, LLC**, Bensenville, IL (US)

CA 2 492 979 9/2012
 GB 1165470 10/1969

(**) Term: **15 Years**

OTHER PUBLICATIONS

(21) Appl. No.: **29/541,303**

WABTEC Corporation, Freight Car Draft Arrangements, Student Workbook TP2009, Feb. 2003.

(22) Filed: **Oct. 2, 2015**

(Continued)

Related U.S. Application Data

(63) Continuation-in-part of application No. 14/528,108, filed on Oct. 30, 2014, now Pat. No. 9,625,060.

Primary Examiner — Janice Hallmark

(51) **LOC (11) Cl.** **08-05**

Assistant Examiner — Harold E Blackwell, II

(52) **U.S. Cl.**

(74) *Attorney, Agent, or Firm* — Cook Alex Ltd.

USPC **D8/354**

(57) **CLAIM**

(58) **Field of Classification Search**

USPC D8/349, 354, 355, 356, 363, 373, 382
 CPC ... B61G 7/00; B61G 5/00; B61G 5/06; B61G 5/08; B60T 17/043; B60T 17/046; F16L 3/00; F16L 3/01; F16L 3/003
 See application file for complete search history.

The ornamental design for a railway hose support bracket, as shown and described.

DESCRIPTION

(56) **References Cited**

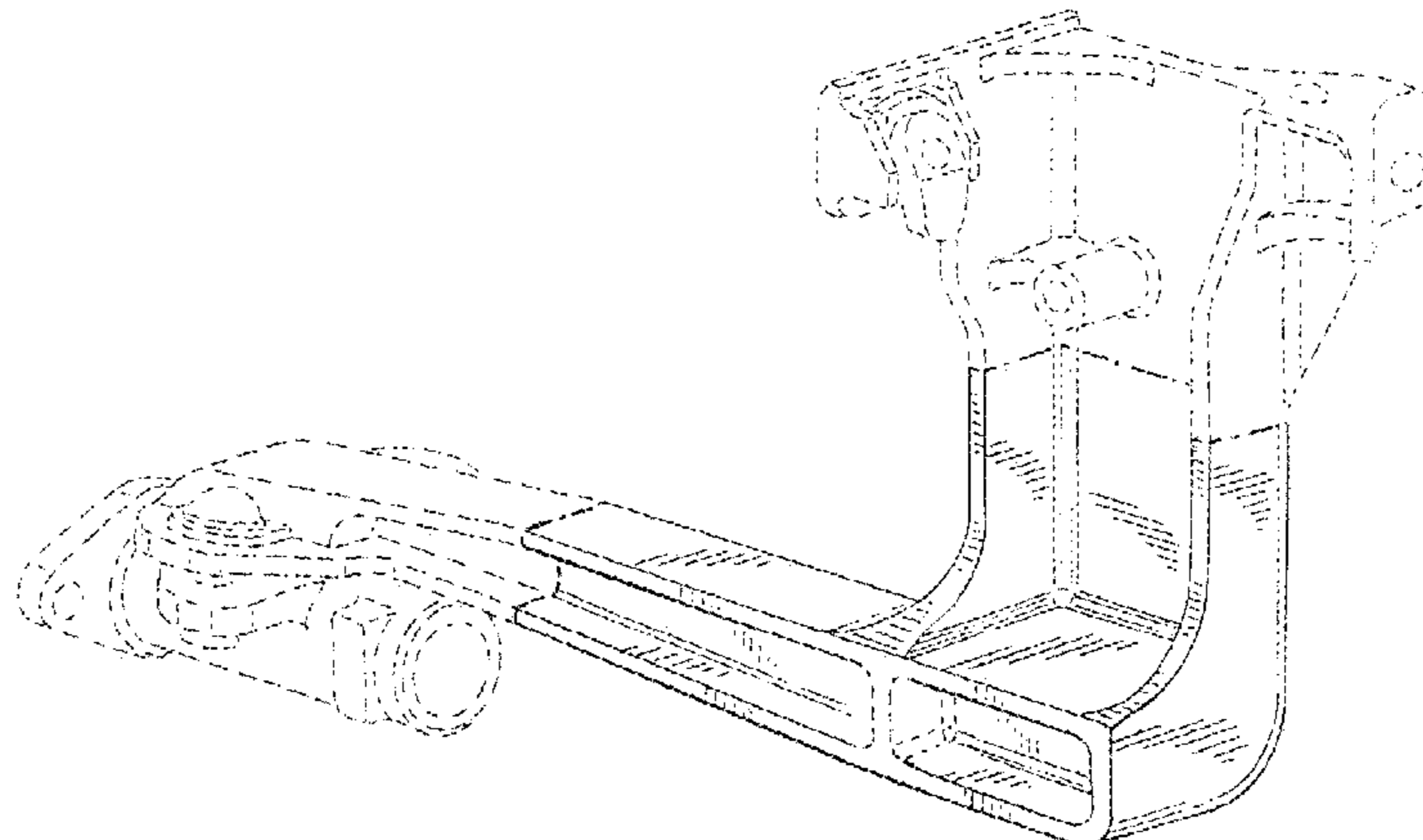
U.S. PATENT DOCUMENTS

743,796 A 11/1903 Allan et al.
 1,245,799 A * 11/1917 Robinson B61G 5/08
 285/12
 2,165,330 A 7/1939 Bazeley
 2,296,170 A 9/1942 Lockhart
 3,312,481 A 4/1967 Temple
 3,344,935 A 10/1967 Stewart et al.
 3,552,580 A 1/1971 Cope
 3,556,314 A 1/1971 Punwani
 3,587,868 A 6/1971 Yates
 3,589,530 A 6/1971 Metzger
 3,592,425 A 7/1971 Randolph
 3,784,030 A 1/1974 Chierici

FIG. 1 is a rear perspective view of a railway hose support bracket showing the new design;
 FIG. 2 is a front elevational view thereof;
 FIG. 3 is a back elevational view of the side opposite to that of FIG. 2;
 FIG. 4 is a left side elevational view;
 FIG. 5 is a right side elevational view of the side opposite to that of FIG. 4;
 FIG. 6 is a top plan view thereof; and,
 FIG. 7 is a bottom plan view thereof.

The broken lines immediately adjacent the solid line and shaded portions of the drawing figures represent the bounds of the claimed design, while all other broken lines depict portions of the railway hose support bracket that form no part of the claimed design.

1 Claim, 4 Drawing Sheets



(56)

References Cited

U.S. PATENT DOCUMENTS

6,581,791 B2 6/2003 Flint et al.
 6,745,910 B2 6/2004 Flint et al.
 6,871,732 B2 3/2005 Flint et al.
 7,267,306 B2 9/2007 Eason et al.
 D583,652 S 12/2008 Vermesi et al.
 7,467,812 B2 12/2008 Ring et al.
 7,631,774 B2 12/2009 Foxx et al.
 7,637,381 B2 12/2009 Foxx et al.
 7,757,995 B2 7/2010 McKiernan
 7,780,022 B2 8/2010 Vermesi et al.
 7,850,128 B2 12/2010 Murphy
 8,066,231 B2 11/2011 McKiernan
 8,201,779 B2 6/2012 Hua et al.
 9,365,220 B2 6/2016 Miner et al.
 9,366,361 B2 6/2016 Miner et al.
 D772,041 S * 11/2016 Miner D8/356
 9,625,060 B2 * 4/2017 Maki B61H 11/06
 D786,656 S * 5/2017 Miner D8/356

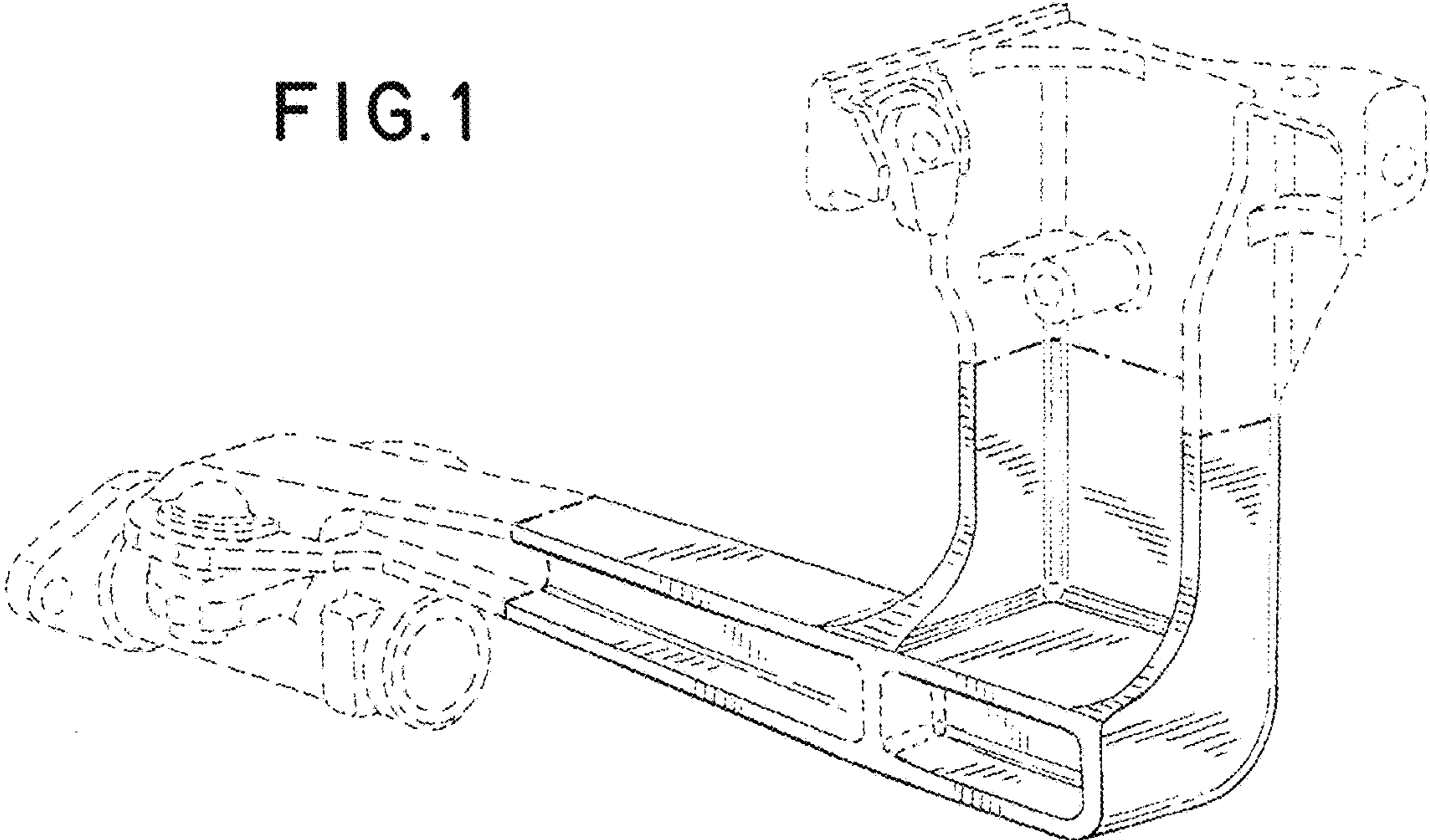
D791,837 S * 7/2017 Alden D15/5
 9,694,832 B2 * 7/2017 Foxx F16L 3/003
 D815,936 S * 4/2018 Naslund D8/356
 2003/0102415 A1 6/2003 Schmitt
 2006/0163442 A1 * 7/2006 Eason B61G 5/08
 248/674
 2007/0267377 A1 11/2007 McKiernan
 2015/0197258 A1 * 7/2015 Miner B61G 5/06
 248/75
 2015/0197259 A1 * 7/2015 Miner F16L 3/003
 248/75
 2016/0123502 A1 * 5/2016 Maki B61H 11/06
 29/525.01
 2017/0080955 A1 * 3/2017 Foxx F16L 3/003

OTHER PUBLICATIONS

Strato, CMBA Coupler Mounted Bracket Instruction Manual and Guidelines, Jun. 16, 2014.

* cited by examiner

FIG. 1



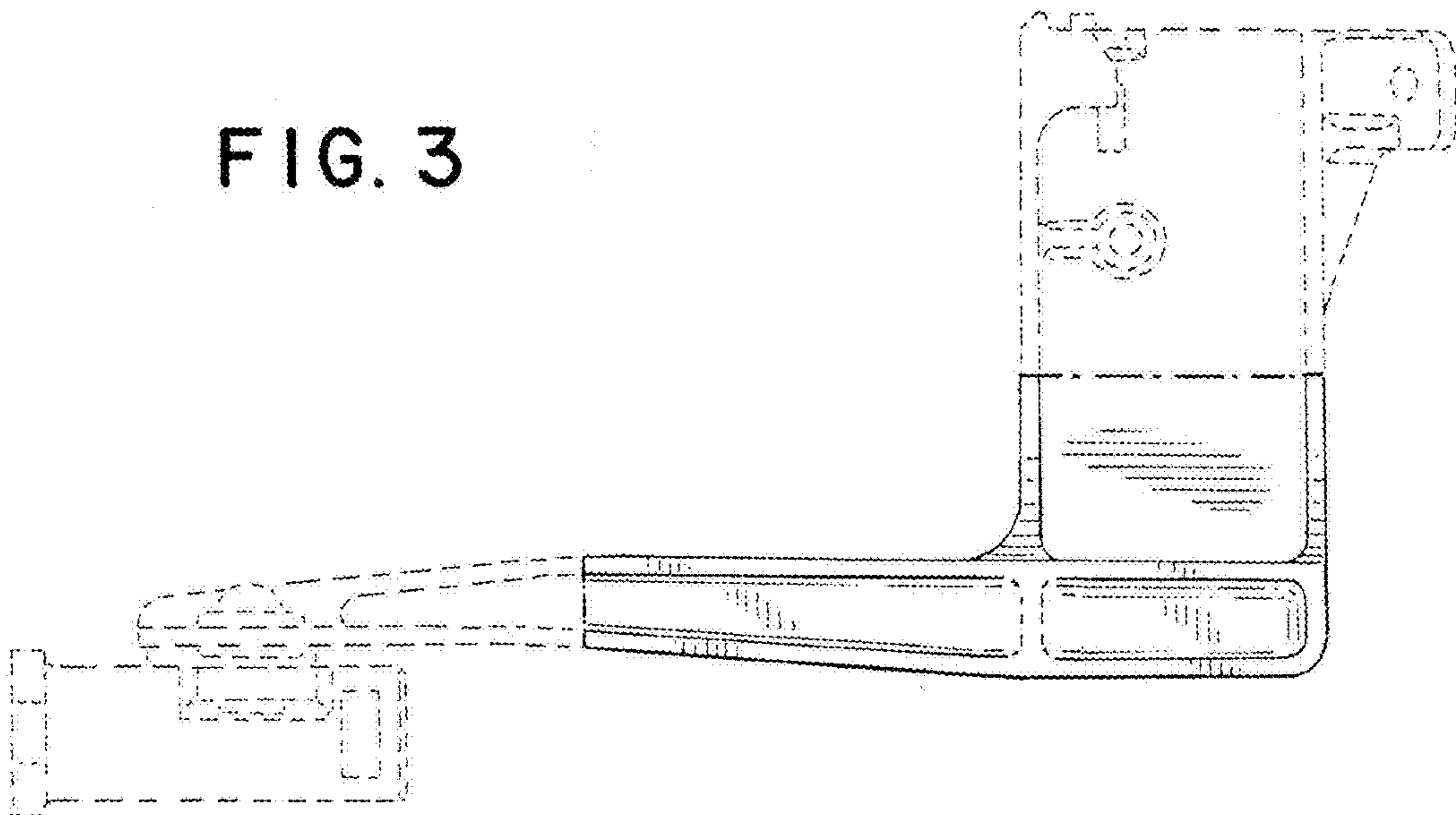
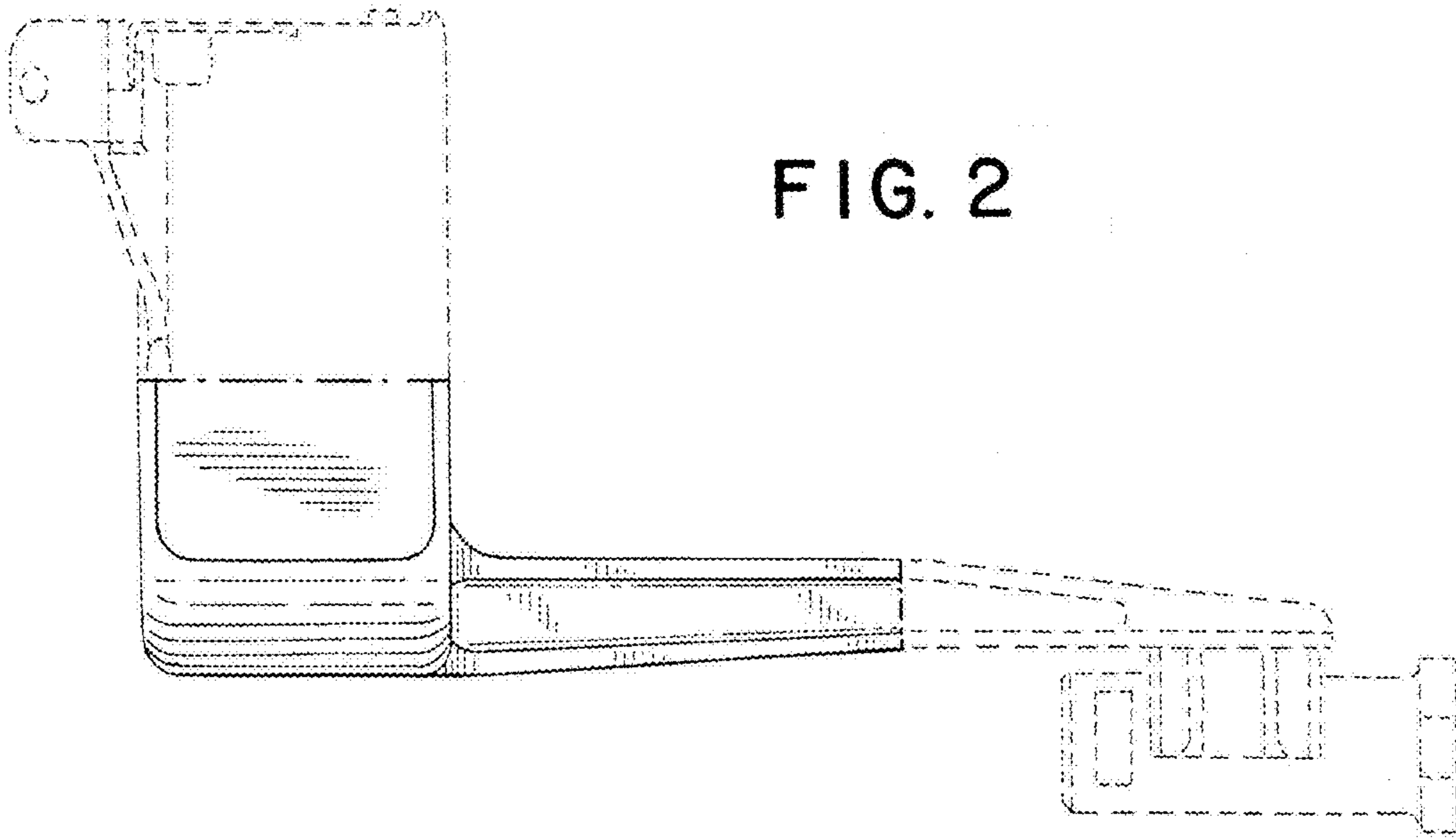


FIG. 4

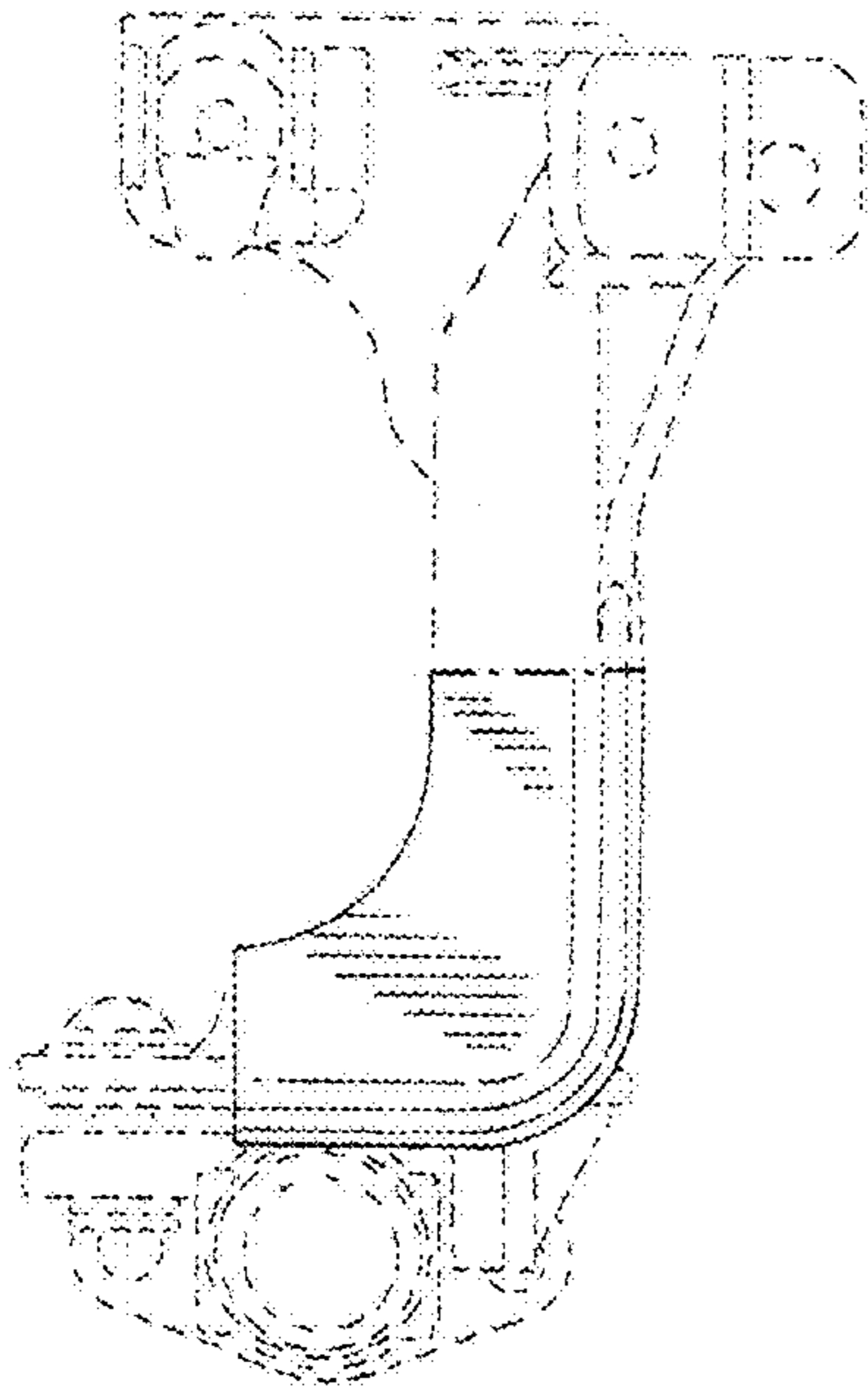


FIG. 5

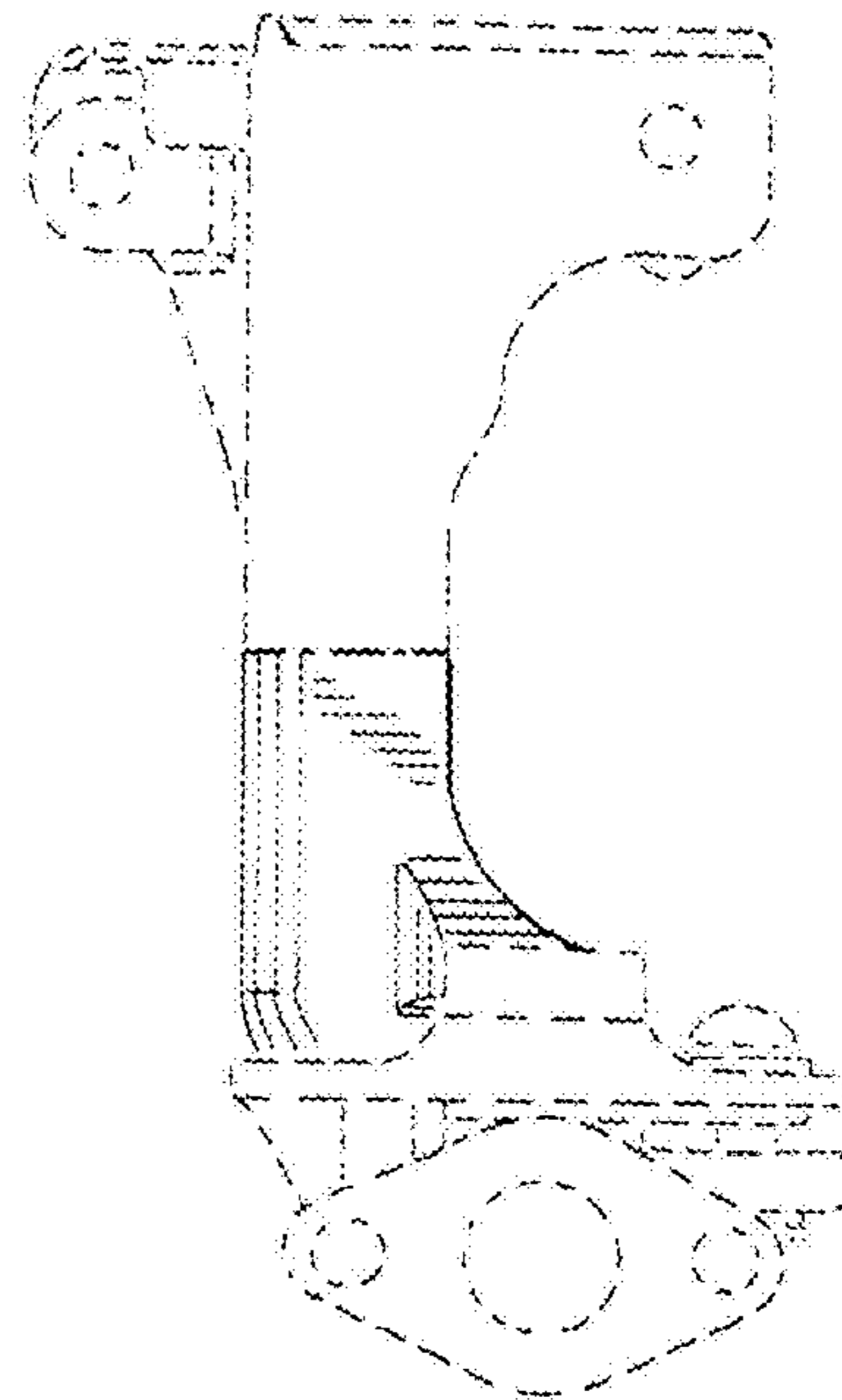


FIG. 6

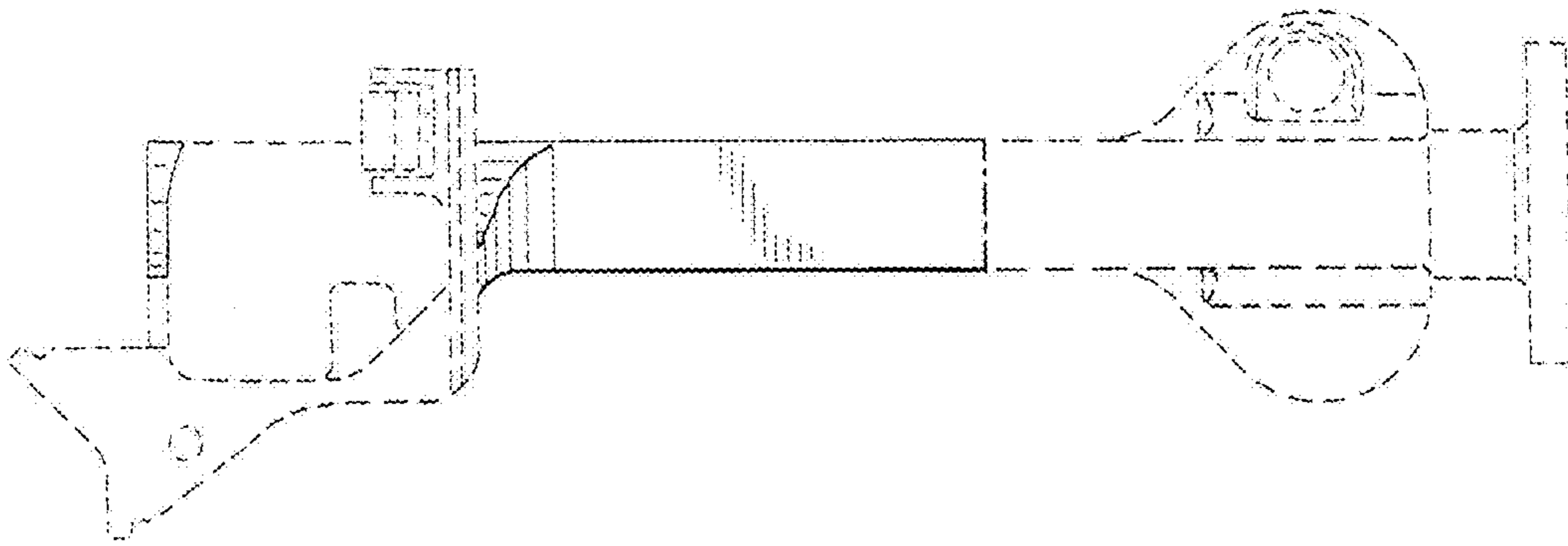


FIG. 7

