



US00D851478S

(12) **United States Design Patent**
Huang et al.

(10) **Patent No.:** **US D851,478 S**
(45) **Date of Patent:** **** Jun. 18, 2019**

- (54) **COMPONENT FOR A LOCK**
- (71) Applicant: **MAYAPPLE BABY LLC**, Brooklyn, NY (US)
- (72) Inventors: **Jianying Huang**, Brooklyn, NY (US);
Chris Hazzard, Brooklyn, NY (US);
Mingbo Zhang, Brooklyn, NY (US)
- (73) Assignee: **Mayapple Baby LLC**, Brooklyn, NY (US)
- (**) Term: **15 Years**
- (21) Appl. No.: **29/662,789**
- (22) Filed: **Sep. 7, 2018**

Related U.S. Application Data

- (62) Division of application No. 29/607,803, filed on Jun. 16, 2017, now Pat. No. Des. 840,212.
- (51) **LOC (11) Cl.** **08-07**
- (52) **U.S. Cl.**
USPC **D8/331**
- (58) **Field of Classification Search**
USPC D8/330, 331, 336, 338, 339, 343, 344;
70/77-80, 84, 85, 91, 102, 141; 340/542,
340/547, 545.1, 545.7; 292/336.3,
292/301-304, 358, 359
CPC E05B 9/00; E05B 9/08; E05B 9/10; E05B
47/00; E05B 51/00; E05B 55/00; E05B
65/00; E05B 65/007; E05B 65/0014;
E05B 65/44
See application file for complete search history.

(56) **References Cited**

U.S. PATENT DOCUMENTS

- 4,758,015 A 7/1988 Pixley
- D311,856 S 11/1990 Tousaw
- D324,636 S 3/1992 Schlack et al.
- D382,791 S * 8/1997 Weinerman D8/343

- D441,272 S 5/2001 Shedd et al.
- D459,192 S 6/2002 Weinerman et al.
- D461,700 S 8/2002 Meredith
- D505,310 S * 5/2005 Lorusso D8/302
- D506,121 S 6/2005 Falconer et al.
- D533,048 S * 12/2006 Weinerman D8/331
- D541,632 S 5/2007 Moore
- D544,337 S * 6/2007 Pepper D8/331
- D545,667 S * 7/2007 Weinerman D8/331
- D546,166 S 7/2007 Liang
- D549,551 S 8/2007 Weinerman et al.
- D556,538 S * 12/2007 Weinerman D8/330
- D704,526 S 5/2014 Weinerman et al.

(Continued)

FOREIGN PATENT DOCUMENTS

DE 10 2007 062 217 A1 6/2009

OTHER PUBLICATIONS

U.S. Appl. No. 29/607,803, Non-Final Rejection dated Jun. 25, 2018.

Primary Examiner — R. Johnson

(74) *Attorney, Agent, or Firm* — Winston & Strawn LLP

(57) **CLAIM**

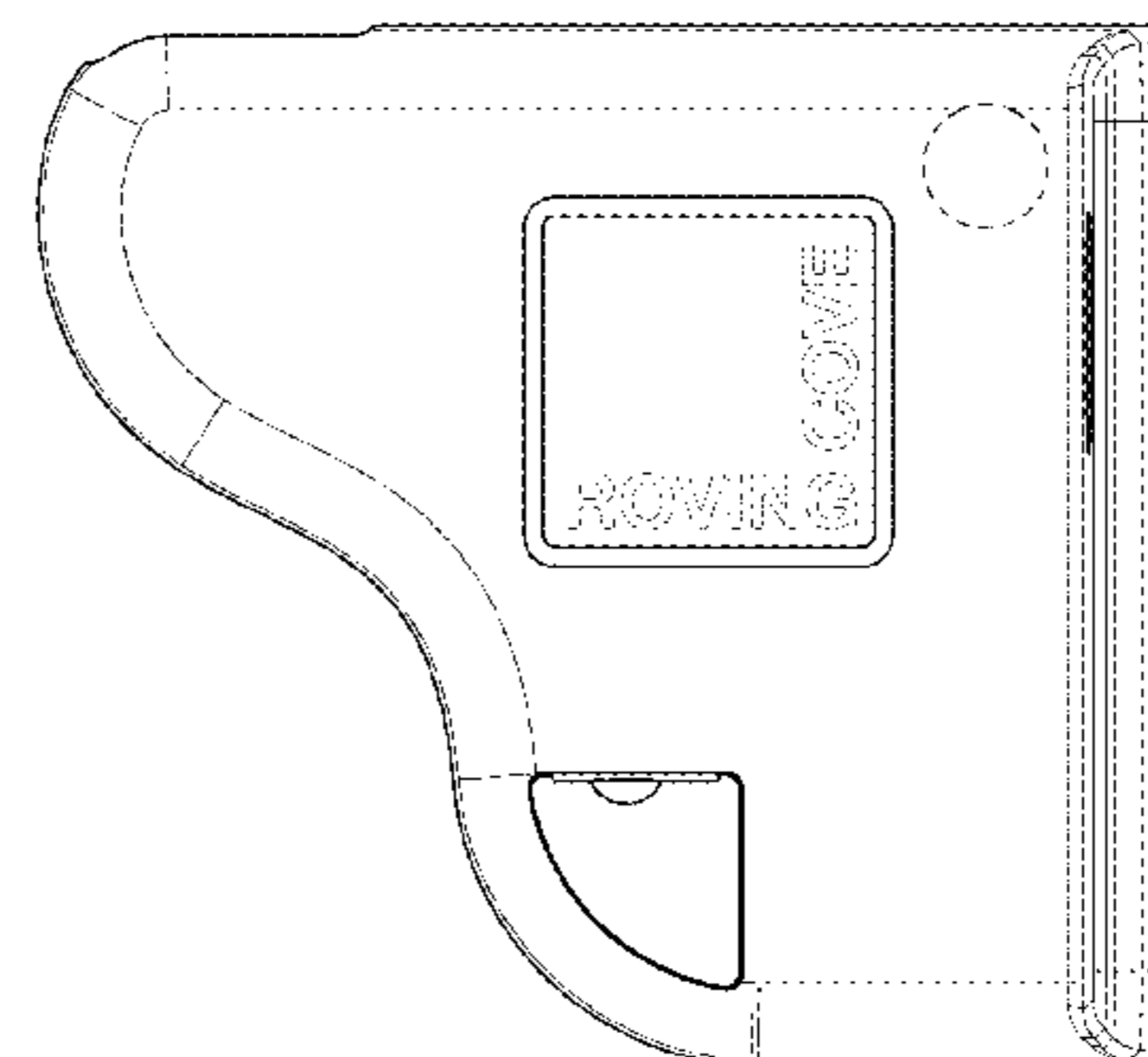
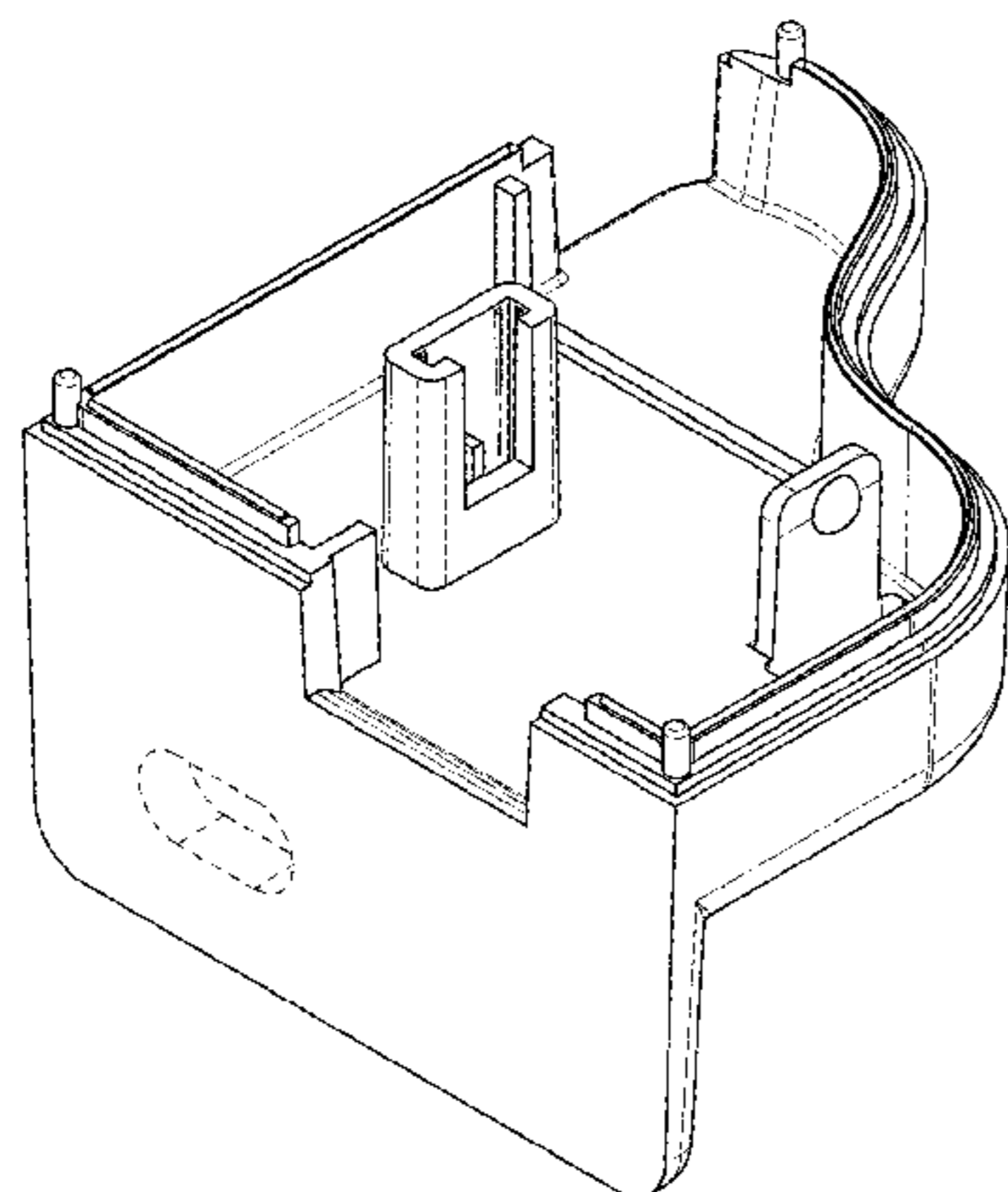
The ornamental design for a component for a lock, as shown and described.

DESCRIPTION

FIG. 1 is a perspective view of a side component for a lock according to our new design;
 FIG. 2 is a bottom view thereof;
 FIG. 3 is a top view thereof;
 FIG. 4 is an interior view thereof;
 FIG. 5 is an exterior view thereof;
 FIG. 6 is a rear view thereof; and,
 FIG. 7 is a front view thereof.

Any elements shown in broken lines form no part of the claimed design.

1 Claim, 7 Drawing Sheets



(56)

References Cited

U.S. PATENT DOCUMENTS

D795,675	S	8/2017	Howse et al.	
9,909,035	B1	3/2018	Caldeira	
D837,034	S *	1/2019	Huang	D8/331
D840,212	S *	2/2019	Huang	D8/331
2012/0000256	A1 *	1/2012	Stuckey	E05B 35/008
				70/91
2018/0363328	A1 *	12/2018	Huang	E05B 47/0045

* cited by examiner

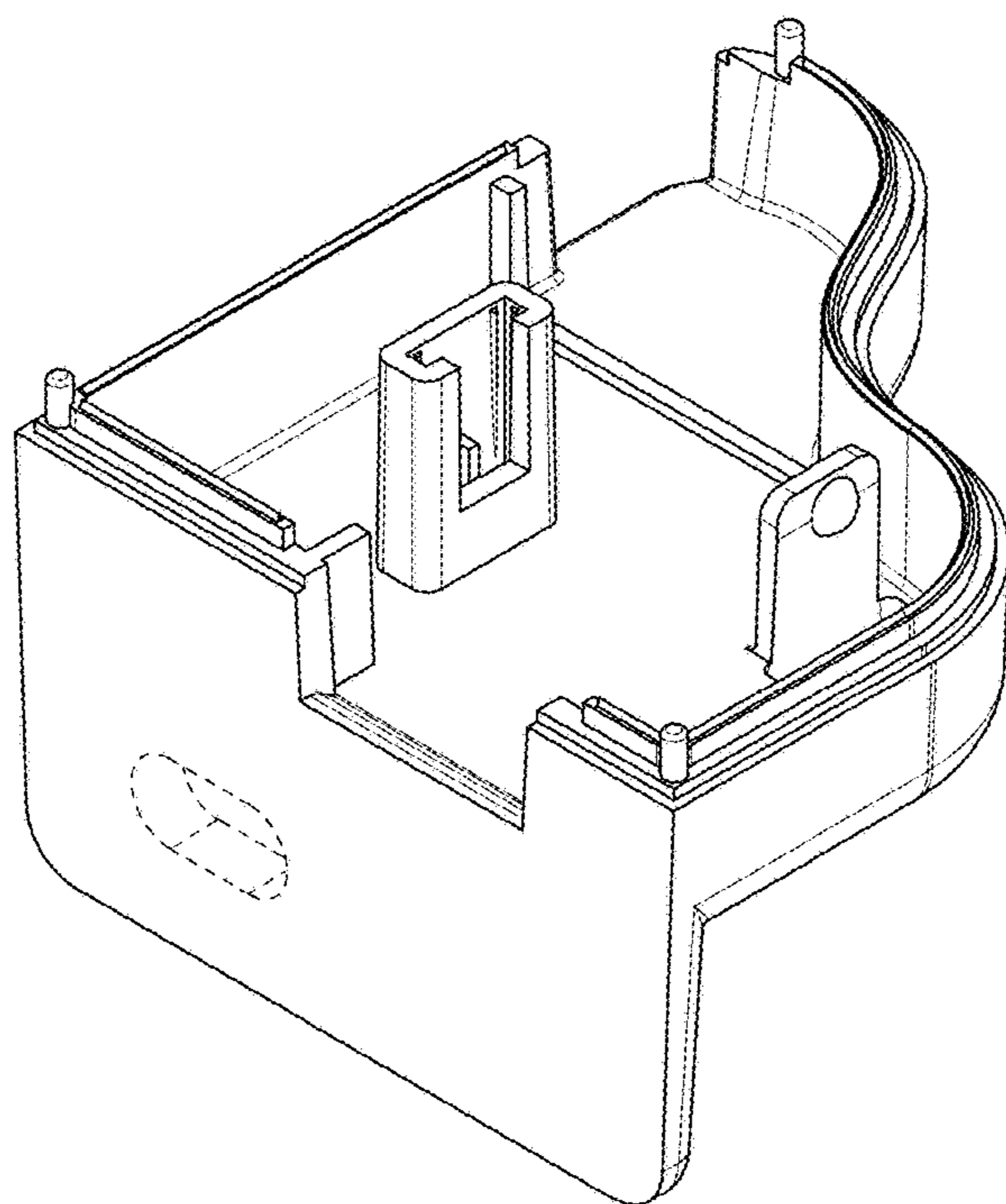


FIG. 1

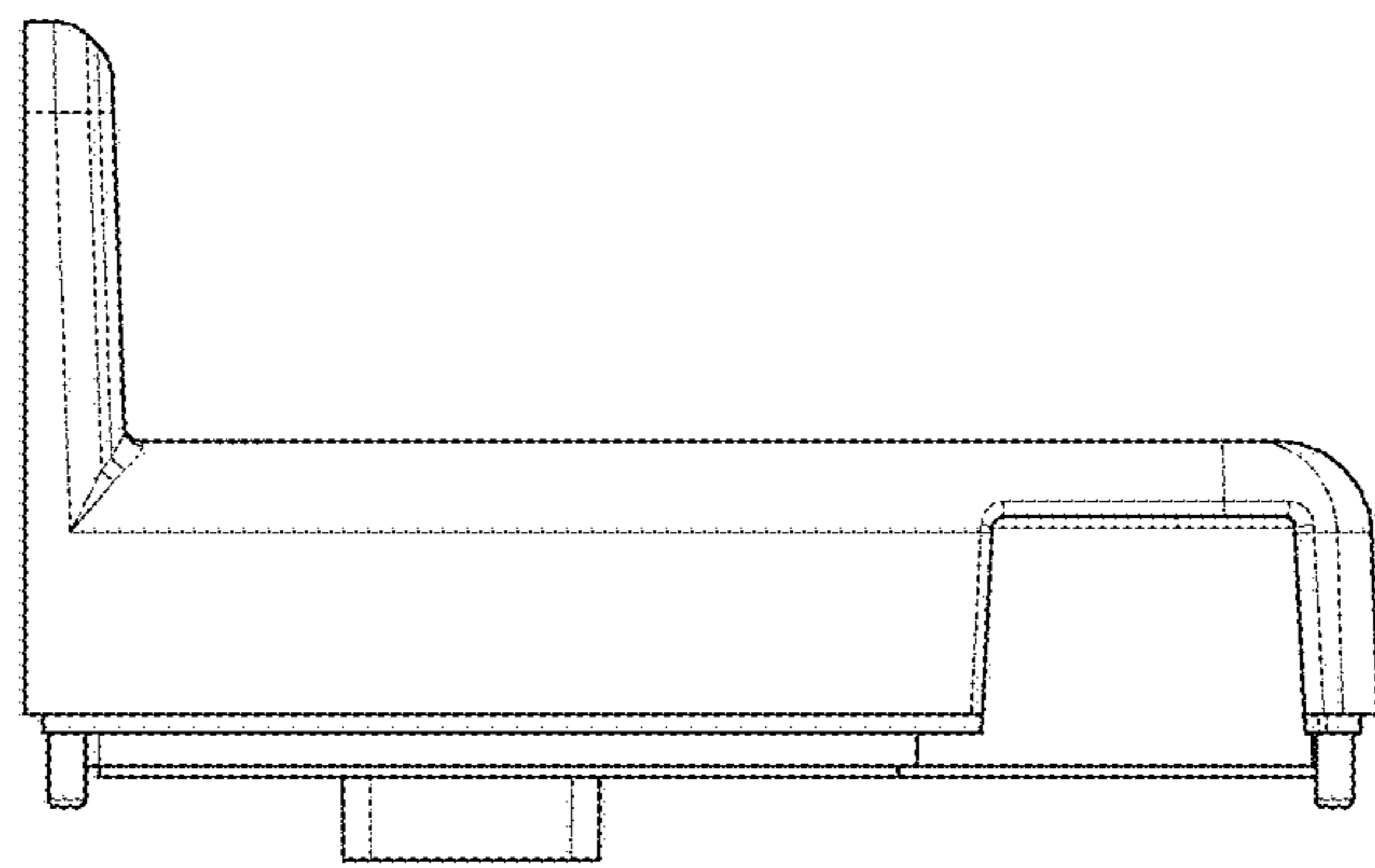


FIG. 2

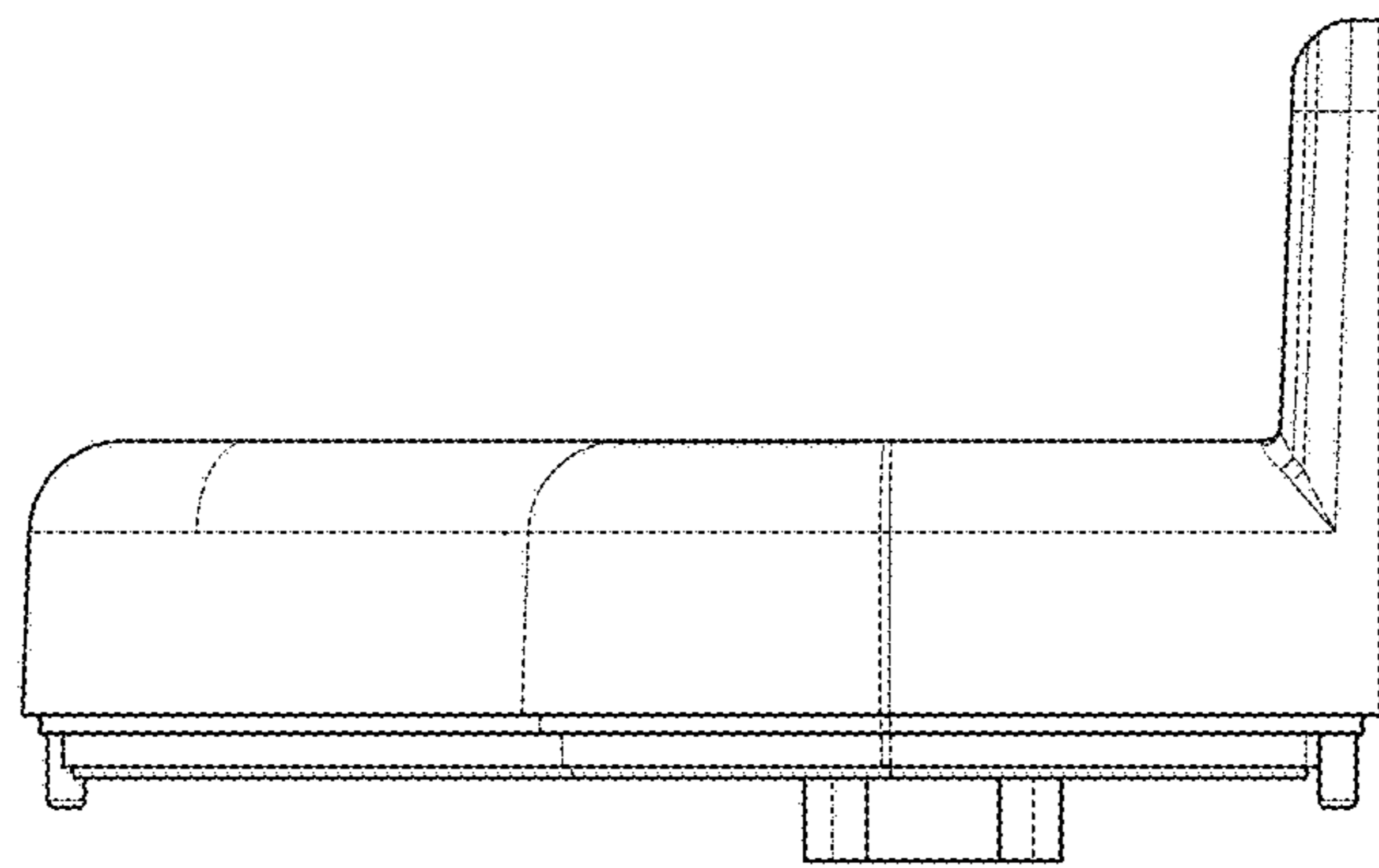


FIG. 3

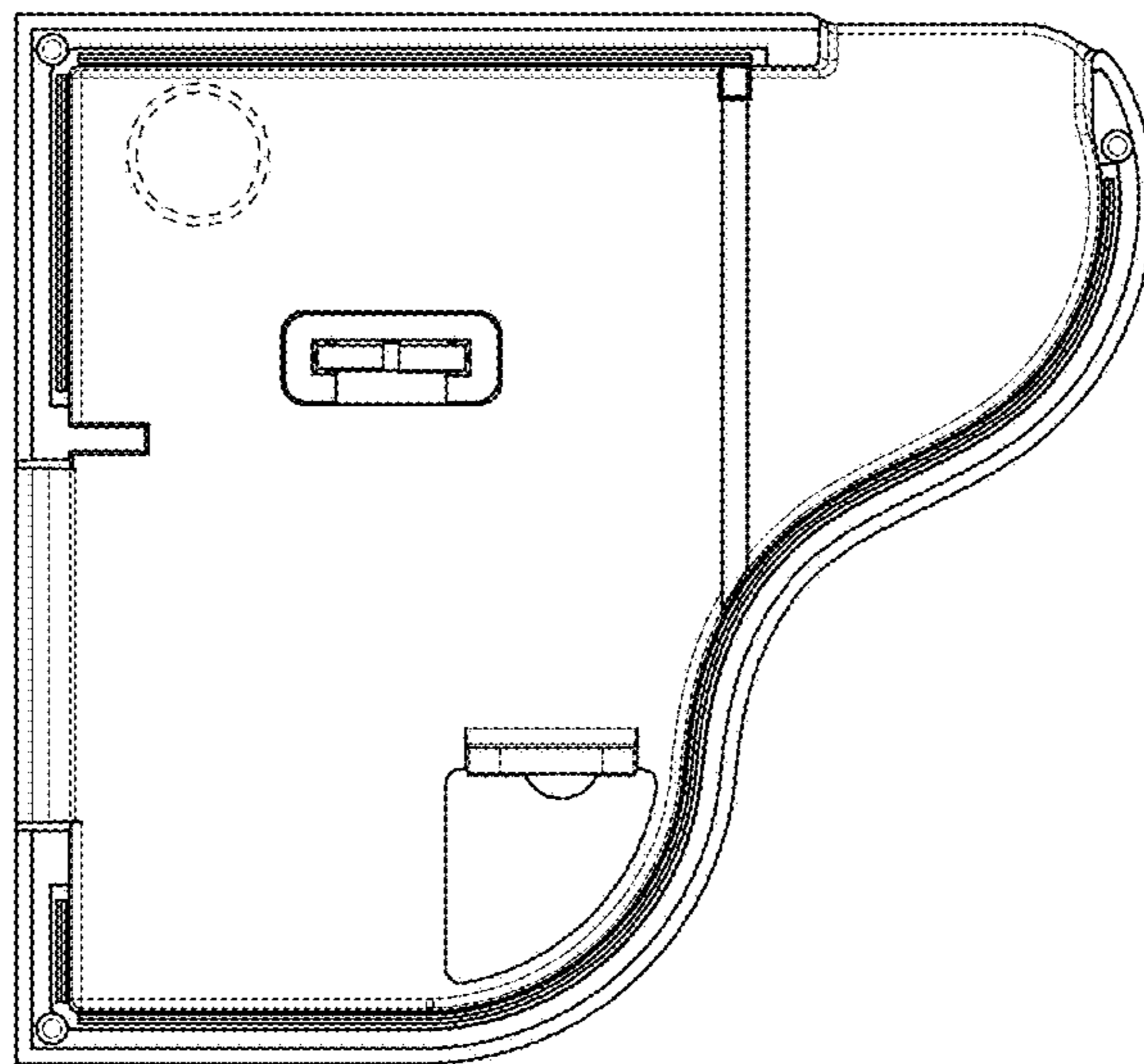


FIG. 4

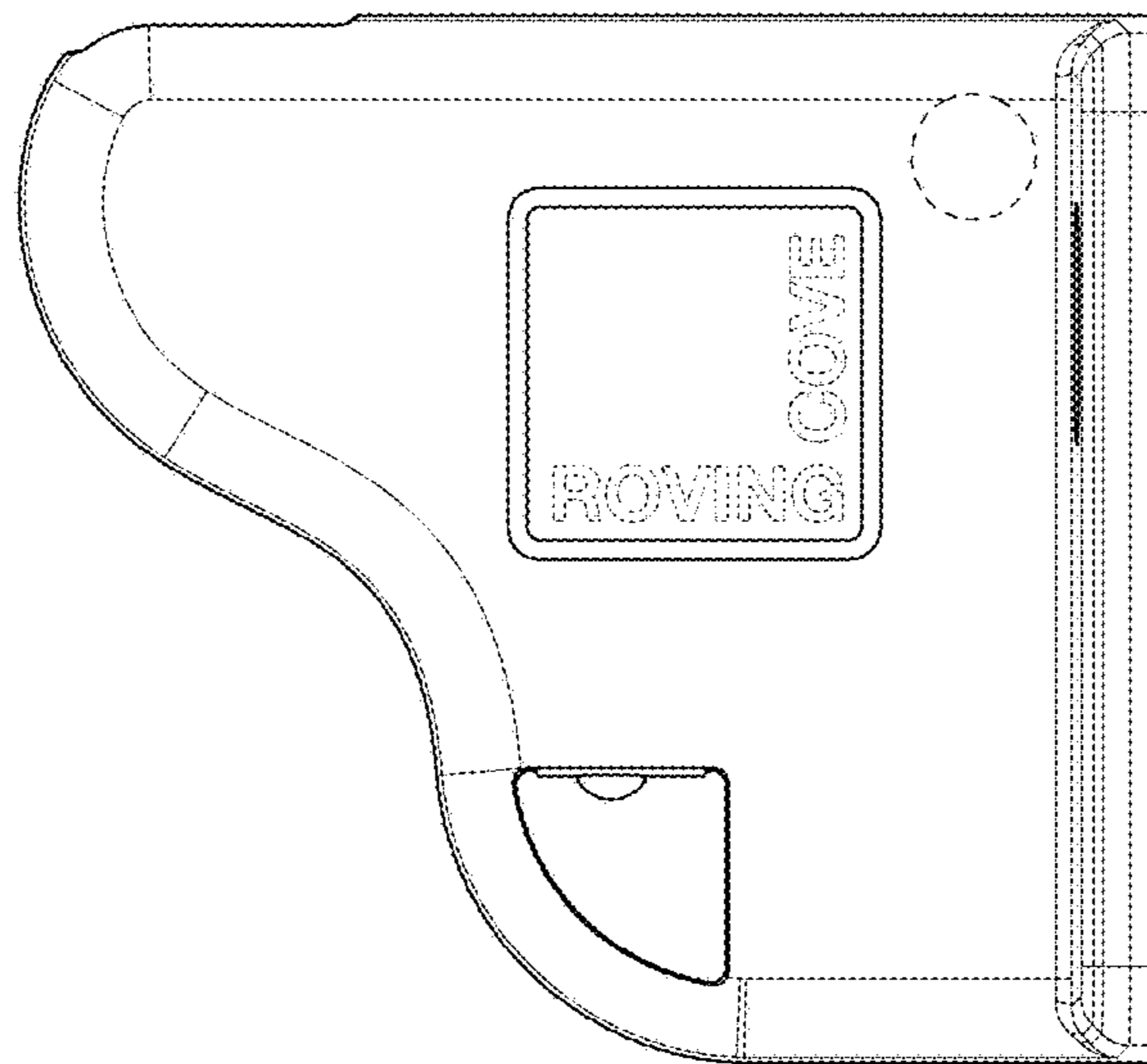


FIG. 5

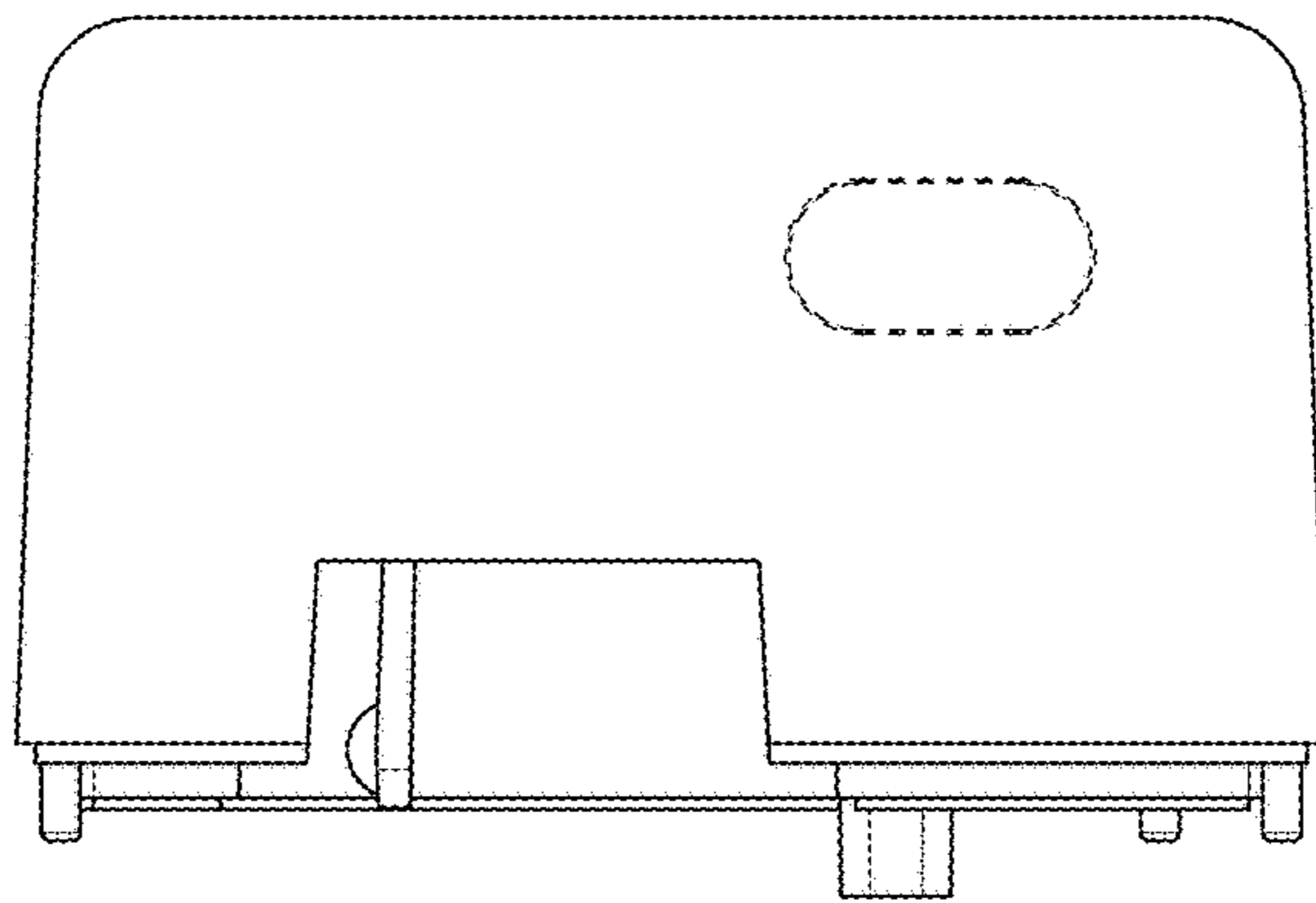


FIG. 6

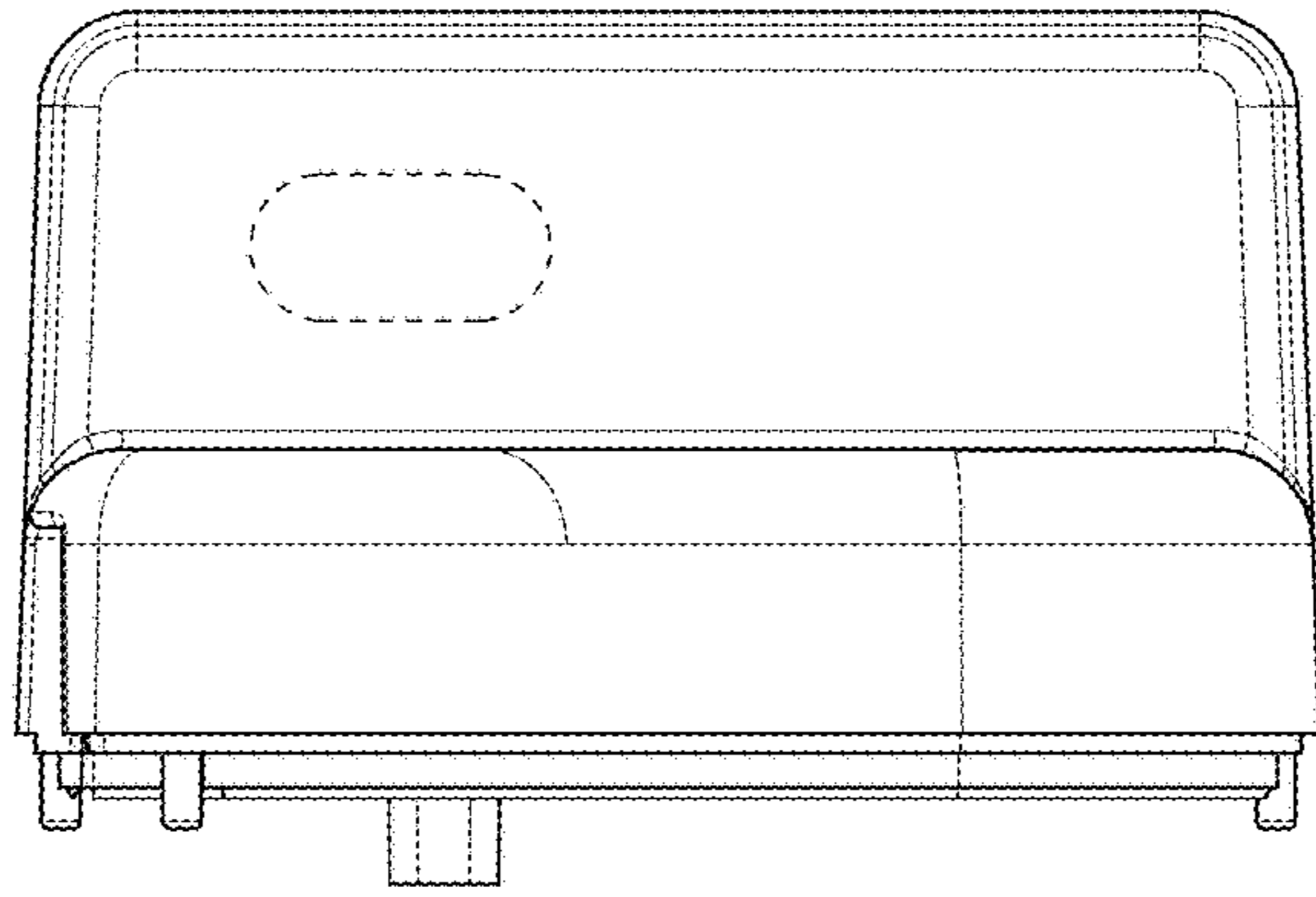


FIG. 7