



US00D851477S

(12) **United States Design Patent** (10) **Patent No.:** **US D851,477 S**
Millet (45) **Date of Patent:** **** Jun. 18, 2019**

- (54) **DECORATIVE DRAWER KNOB**
- (71) Applicant: **Paul Travis Millet**, Lancaster, CA (US)
- (72) Inventor: **Paul Travis Millet**, Lancaster, CA (US)
- (**) Term: **15 Years**
- (21) Appl. No.: **29/627,411**
- (22) Filed: **Nov. 27, 2017**

Related U.S. Application Data

- (63) Continuation-in-part of application No. 29/622,892, filed on Oct. 20, 2017, and a continuation of application No. 29/545,001, filed on Nov. 9, 2015.
- (51) **LOC (11) Cl.** **08-06**
- (52) **U.S. Cl.**
USPC **D8/310**
- (58) **Field of Classification Search**
USPC D8/300, 305, 307, 393, DIG. 1, DIG. 2;
D7/393; D23/250, 254; 16/110.1, 413,
16/414, 415, 417, 422, 441, DIG. 30;
292/336.3, 347
CPC ... Y10T 292/57; Y10T 292/82; Y10T 16/469;
Y10T 16/44; Y10T 16/506; Y10T 292/85;
Y10T 16/458; Y10T 74/2084; Y10T
16/46; Y10T 16/459; Y10T 74/20732;
Y10T 292/03; Y10T 16/4713; Y10T
16/466; Y10T 292/88; Y10T 29/49599;
Y10T 16/487; Y10T 16/462; Y10T
16/4636; Y10T 74/20864; Y10T 70/5155;
Y10T 16/4559; Y10T 292/0951; Y10T
292/0891; Y10T 292/0934; Y10T
292/0968; E05B 1/0007; E05B 1/0015;
E05B 79/06; E05B 85/10; E05B 1/0053;
E05B 55/005; E05B 1/00; E05B 85/107;
E05B 3/00

See application file for complete search history.

- (56) **References Cited**
U.S. PATENT DOCUMENTS
421,670 A * 2/1890 Case E05B 1/0007
29/896.5
1,516,152 A * 11/1924 Dumont E05B 17/0058
16/414
D199,117 S * 9/1964 Myers D8/305
D291,053 S * 7/1987 Decursu D8/310
5,499,427 A * 3/1996 Bowman A47B 95/02
16/417
D372,658 S * 8/1996 Decursu D8/310
D435,424 S * 12/2000 Short D8/310
D545,664 S * 7/2007 Fields D8/310
D551,937 S * 10/2007 Krumpe D8/310
D554,469 S * 11/2007 Sato D8/310
D559,073 S * 1/2008 Krumpe D8/310
D612,706 S * 3/2010 Libman D32/52
D754,518 S * 4/2016 Bahler D8/310

* cited by examiner

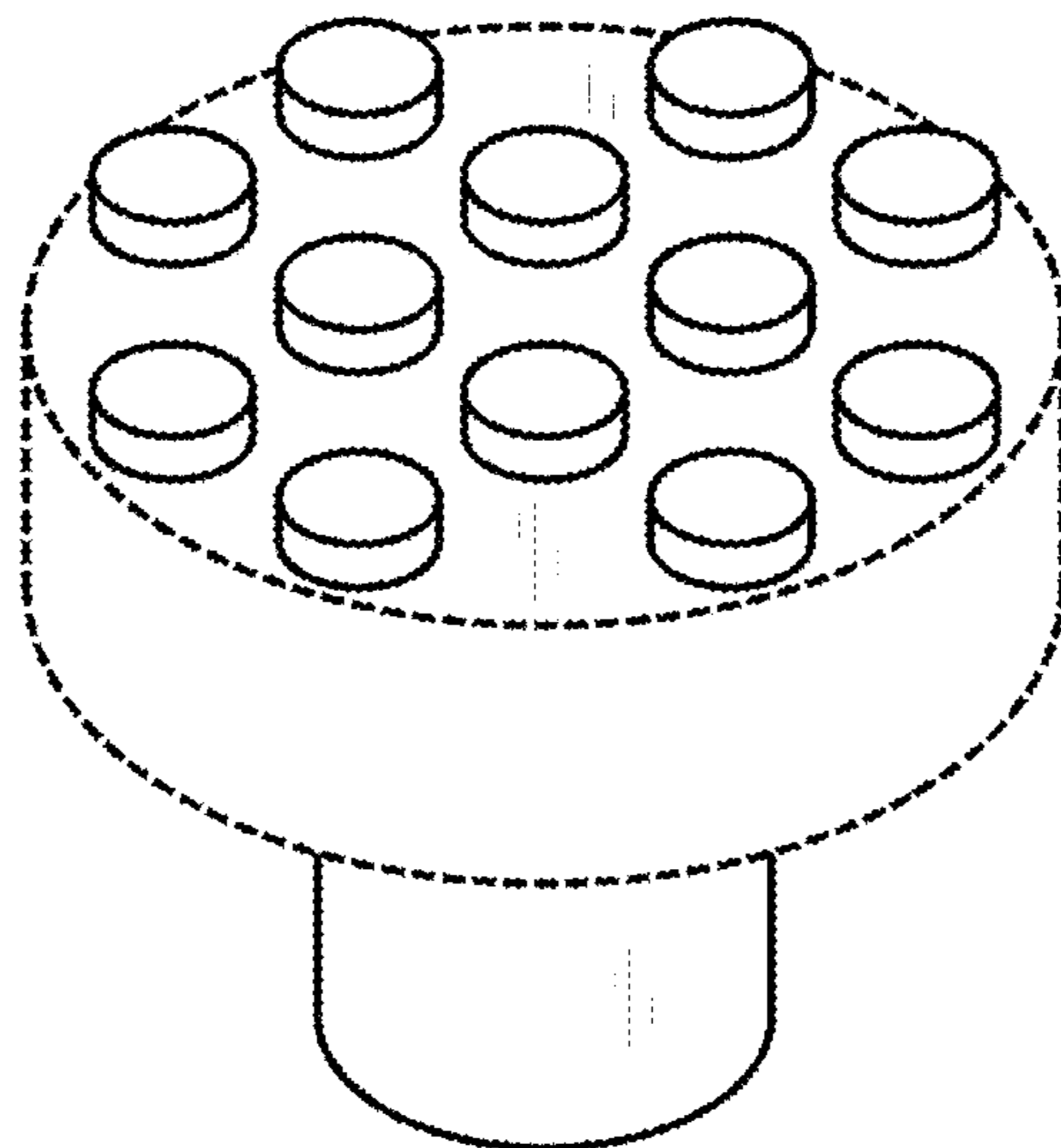
Primary Examiner — Lauren R Calve
(74) *Attorney, Agent, or Firm* — Kevin Keener; Keener and Associates P.C.

- (57) **CLAIM**
The ornamental design for a decorative drawer knob, as shown and described.

DESCRIPTION

FIG. 1 is a top perspective view of a decorative drawer knob; FIG. 2 is a bottom perspective view thereof; FIG. 3 is a top view thereof; FIG. 4 is a bottom view thereof; and, FIG. 5 is a side view thereof.
The broken lines shown represent unclaimed subject matter and form no part of the claimed design.

1 Claim, 5 Drawing Sheets



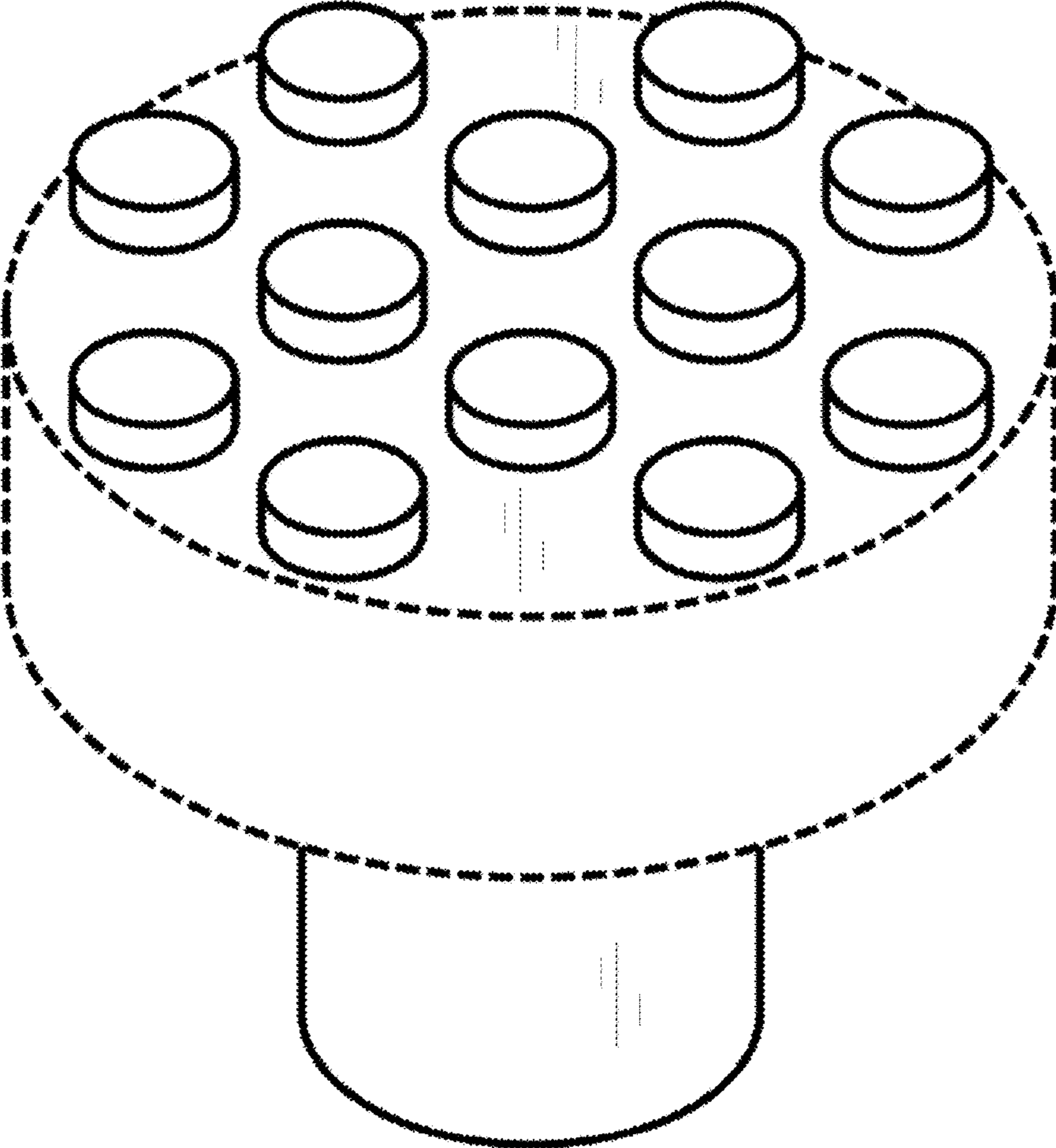


FIG. 1

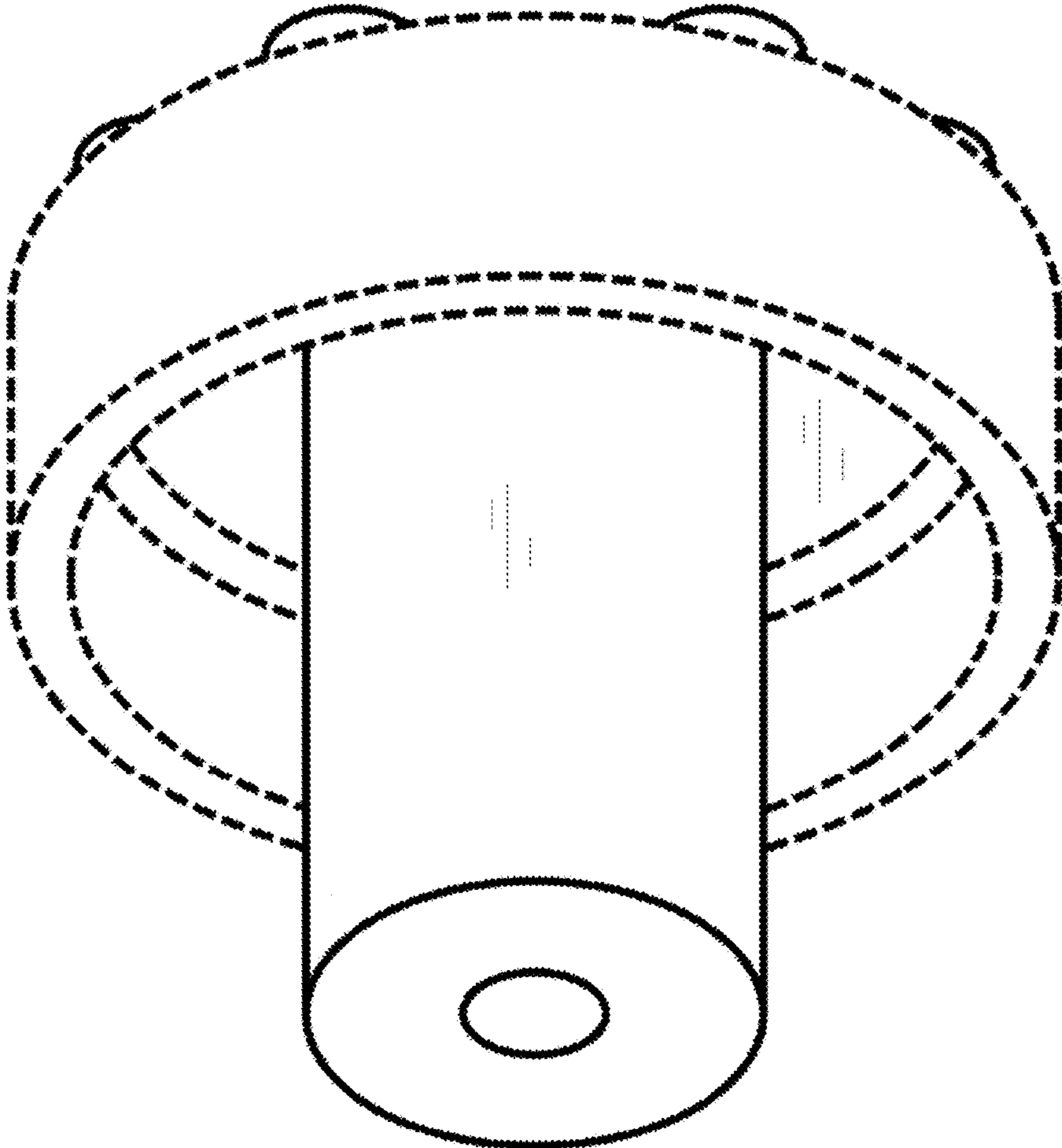


FIG. 2

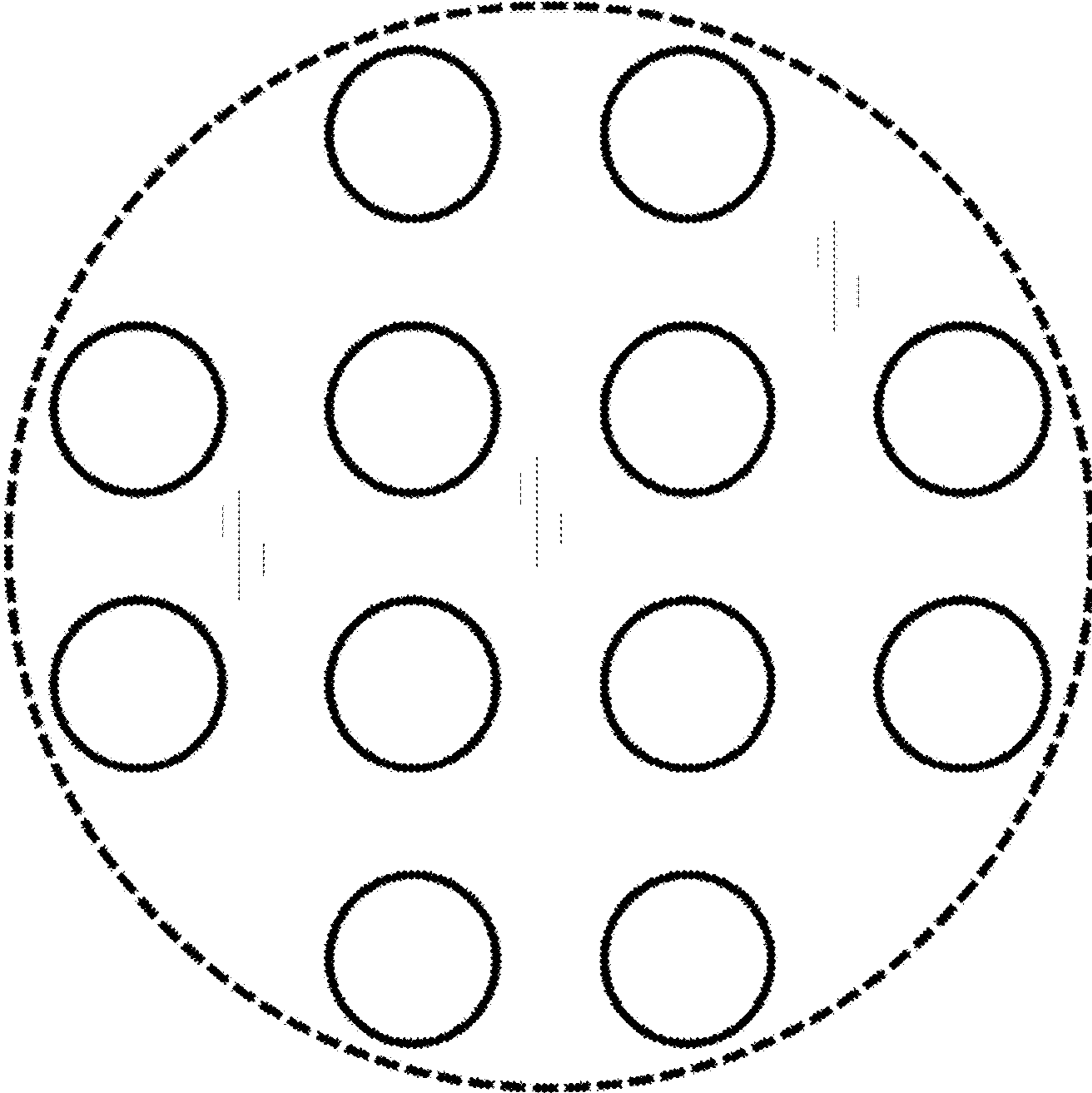


FIG. 3

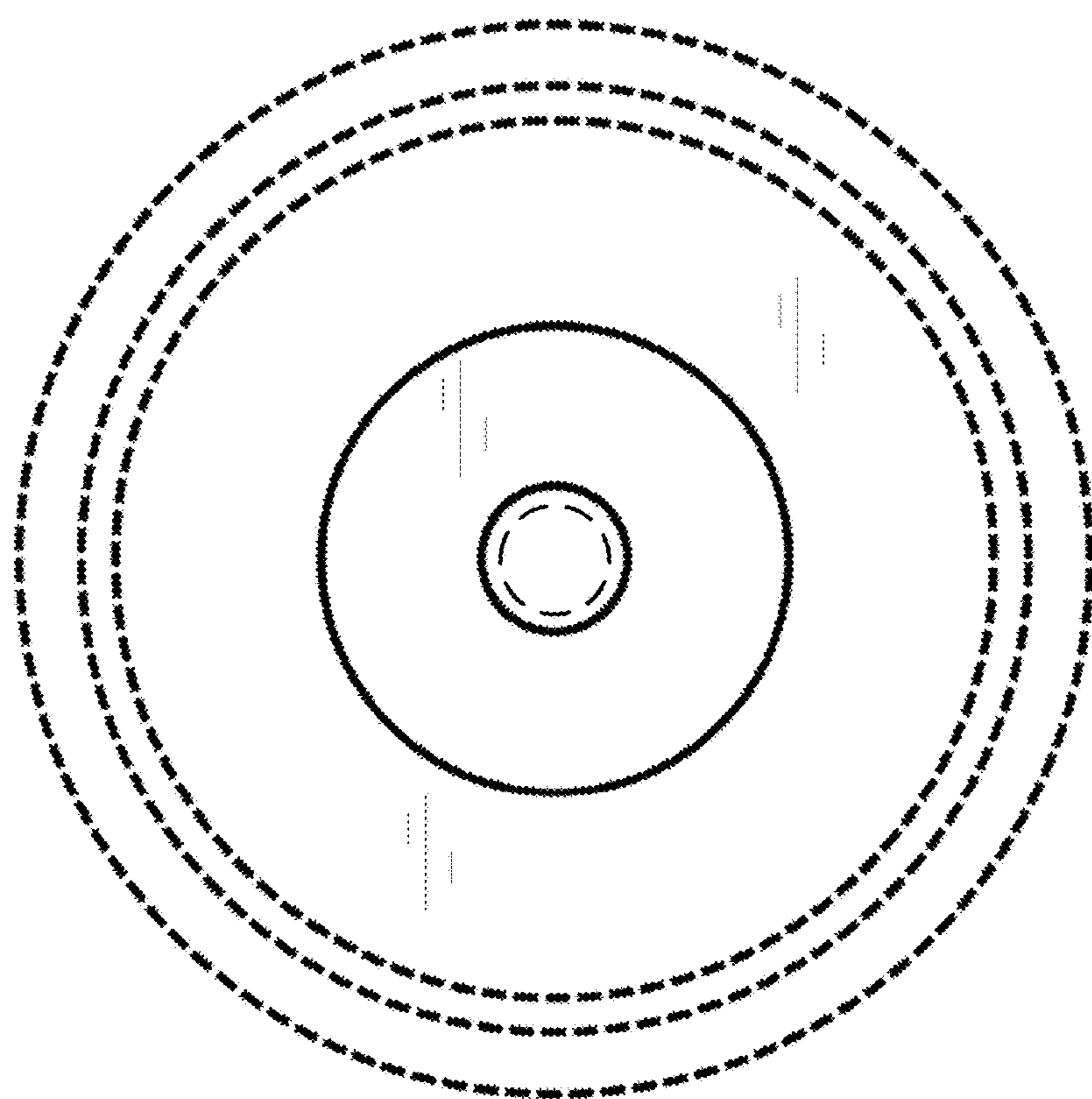


FIG. 4

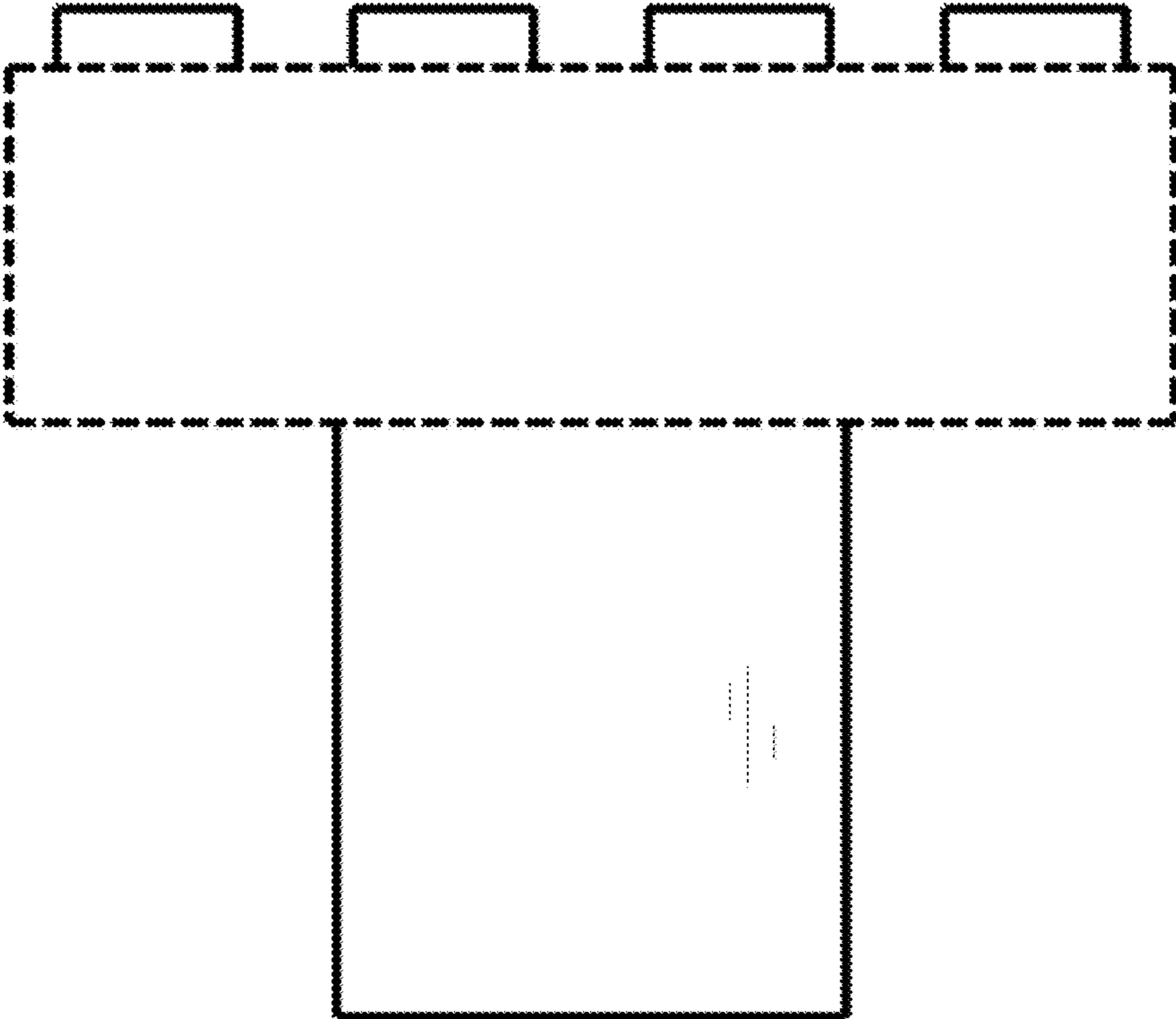


FIG. 5