



US00D851476S

(12) **United States Design Patent**
Onishi et al.

(10) **Patent No.:** **US D851,476 S**
(45) **Date of Patent:** **** Jun. 18, 2019**

(54) **DOOR LEVER**

77/06; E05B 79/06; E05B 85/18; E05B
85/12; E05B 85/10; E05B 7/00; E05B
1/0053; E05B 77/265

(71) Applicant: **Panasonic Intellectual Property
Management Co., Ltd., Osaka (JP)**

See application file for complete search history.

(72) Inventors: **Akiko Onishi, Osaka (JP); Luigi
Velati, Osaka (JP)**

(56) **References Cited**

(73) Assignee: **Panasonic Intellectual Property
Management Co., Ltd., Osaka (JP)**

U.S. PATENT DOCUMENTS

(**) Term: **15 Years**

D181,822 S * 12/1957 Taubman D8/308
D228,227 S * 8/1973 Woodcliff D8/302
4,343,501 A * 8/1982 Meeks E05B 85/12
292/113

(21) Appl. No.: **29/608,328**

(Continued)

(22) Filed: **Jun. 21, 2017**

Primary Examiner — Lauren R Calve

(30) **Foreign Application Priority Data**

(74) *Attorney, Agent, or Firm* — Panasonic IP
Management; Kerry S. Culpepper

Dec. 28, 2016 (JP) 2016-028456
Dec. 28, 2016 (JP) 2016-028457

(57) **CLAIM**

We claim the ornamental design for a door lever, as shown
and described.

(51) **LOC (11) Cl.** **08-06**

DESCRIPTION

(52) **U.S. Cl.**

USPC **D8/308**

(58) **Field of Classification Search**

USPC D8/300-302, 307-309, 310, 311, 331,
D8/343; D23/250, 252; D7/393

CPC Y10T 16/44; Y10T 74/20612; Y10T
74/20732; Y10T 16/458; Y10T 16/498;
Y10T 16/469; Y10T 16/476; Y10T
74/20744; Y10T 74/20864; Y10T
16/4628; Y10T 74/20642; Y10T 16/473;
Y10T 74/20762; Y10T 74/2042; Y10T
74/20828; Y10T 16/459; Y10T 16/4713;
Y10T 74/2014; Y10T 16/50; Y10T
74/20438; Y10T 74/20582; Y10T
74/20738; Y10T 16/48; Y10T 74/20618;
Y10T 74/20684; Y10T 74/20624; Y10T
74/20468; Y10T 16/61; Y10T 16/4719;
Y10T 16/86; Y10S 16/30; Y10S 292/31;
Y10S 292/53; Y10S 16/12; Y10S 292/23;
Y10S 292/27; Y10S 292/30; Y10S
292/63; E05B 85/16; E05B 1/0015; E05B

FIG. 1 is a front perspective view of a door lever of the
present invention;

FIG. 2 is a front view thereof;

FIG. 3 is a rear view thereof;

FIG. 4 is a first side view thereof;

FIG. 5 is a second side view thereof;

FIG. 6 is a top view thereof;

FIG. 7 is a bottom view thereof;

FIG. 8 is a front perspective view of a second embodiment
of a door lever of the present invention;

FIG. 9 is a front view thereof;

FIG. 10 is a rear view thereof;

FIG. 11 is a first side view thereof;

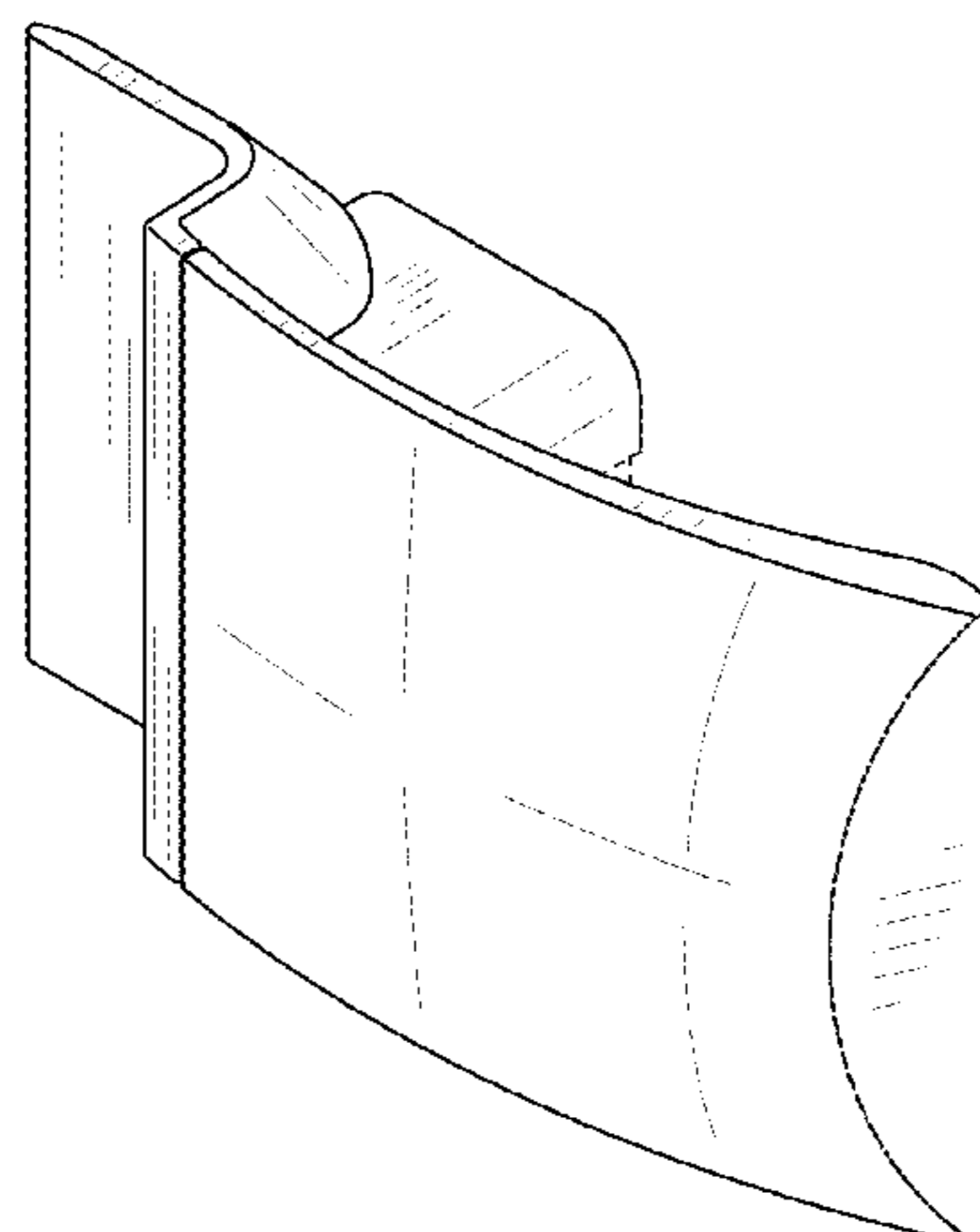
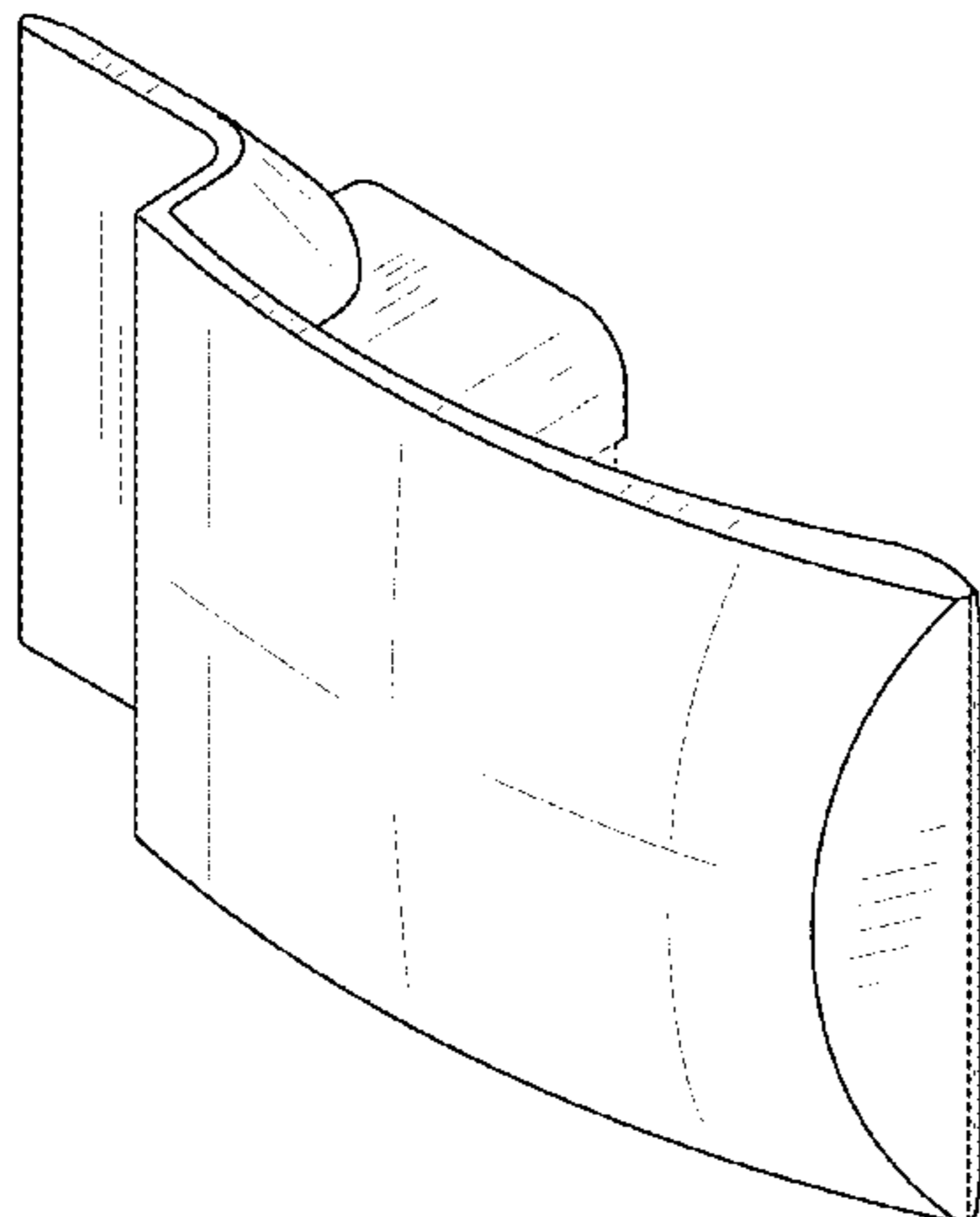
FIG. 12 is a second side view thereof;

FIG. 13 is a top view thereof; and,

FIG. 14 is a bottom view thereof.

The broken lines shown represent unclaimed subject matter
and form no part of the claimed design.

1 Claim, 14 Drawing Sheets



(56)

References Cited

U.S. PATENT DOCUMENTS

D297,356	S	*	8/1988	Reid	D23/252
D315,486	S	*	3/1991	Pierce	D8/307
D382,462	S	*	8/1997	Arthurs	D8/343
D424,406	S	*	5/2000	Frey	D8/331
D466,391	S	*	12/2002	Votruba	D8/306
D466,392	S	*	12/2002	Halajko	D8/306
D577,953	S	*	10/2008	Plichon	D7/393
D617,604	S	*	6/2010	Munari	D7/393
D625,165	S	*	10/2010	King	D8/307
D653,932	S	*	2/2012	Christie	D8/302
D660,127	S	*	5/2012	Stuckey	D8/302
D695,587	S	*	12/2013	Pallone	D8/307
D700,039	S	*	2/2014	Kim	D8/331
D722,856	S	*	2/2015	Shah	D8/302
D761,633	S	*	7/2016	Bertani	D8/313
D781,134	S	*	3/2017	Watson	D8/300
D806,506	S	*	1/2018	Shah	D8/308
2014/0015226	A1	*	1/2014	MacKarvich	B60D 1/065 280/509

* cited by examiner

FIG. 1

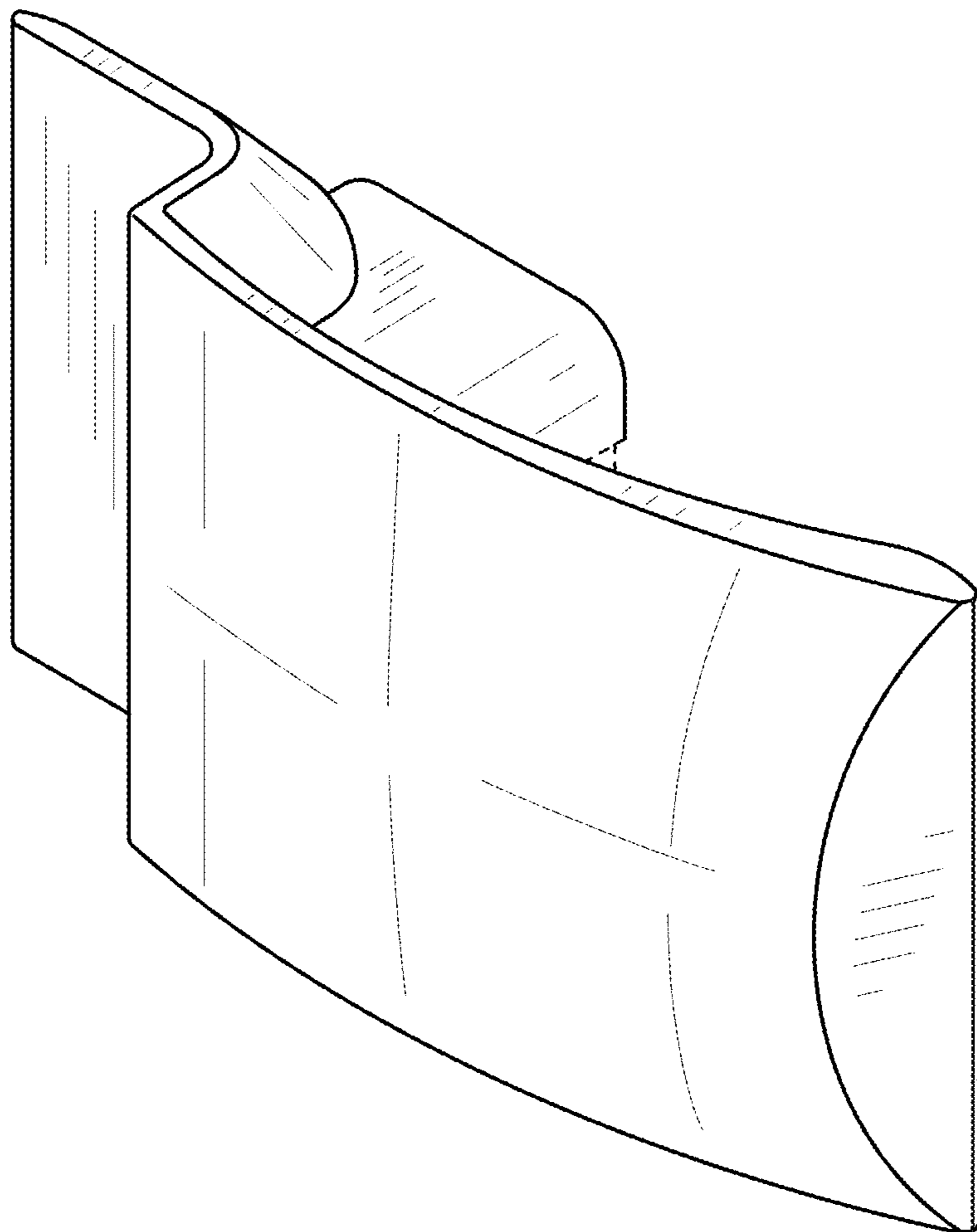


FIG. 2

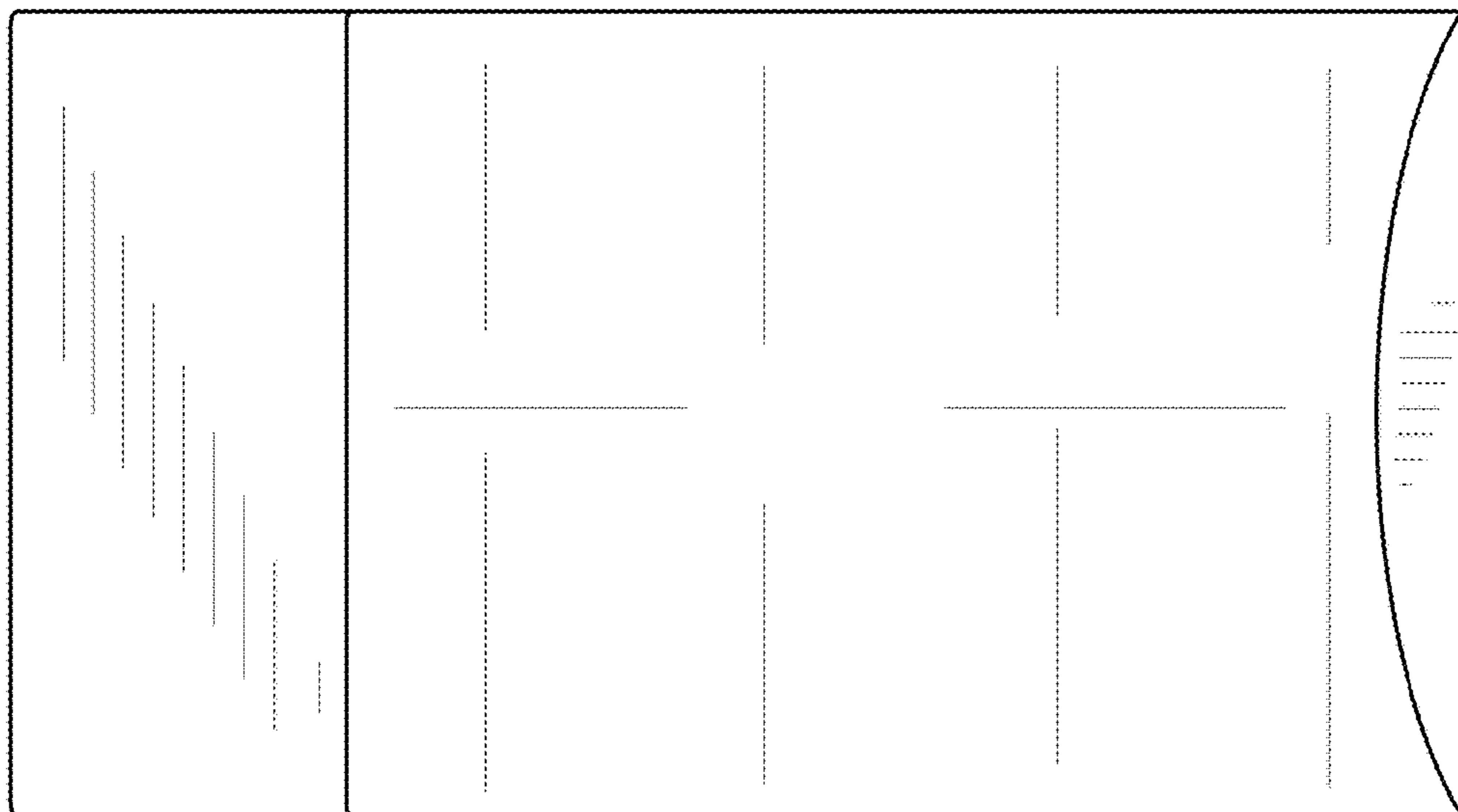


FIG. 3

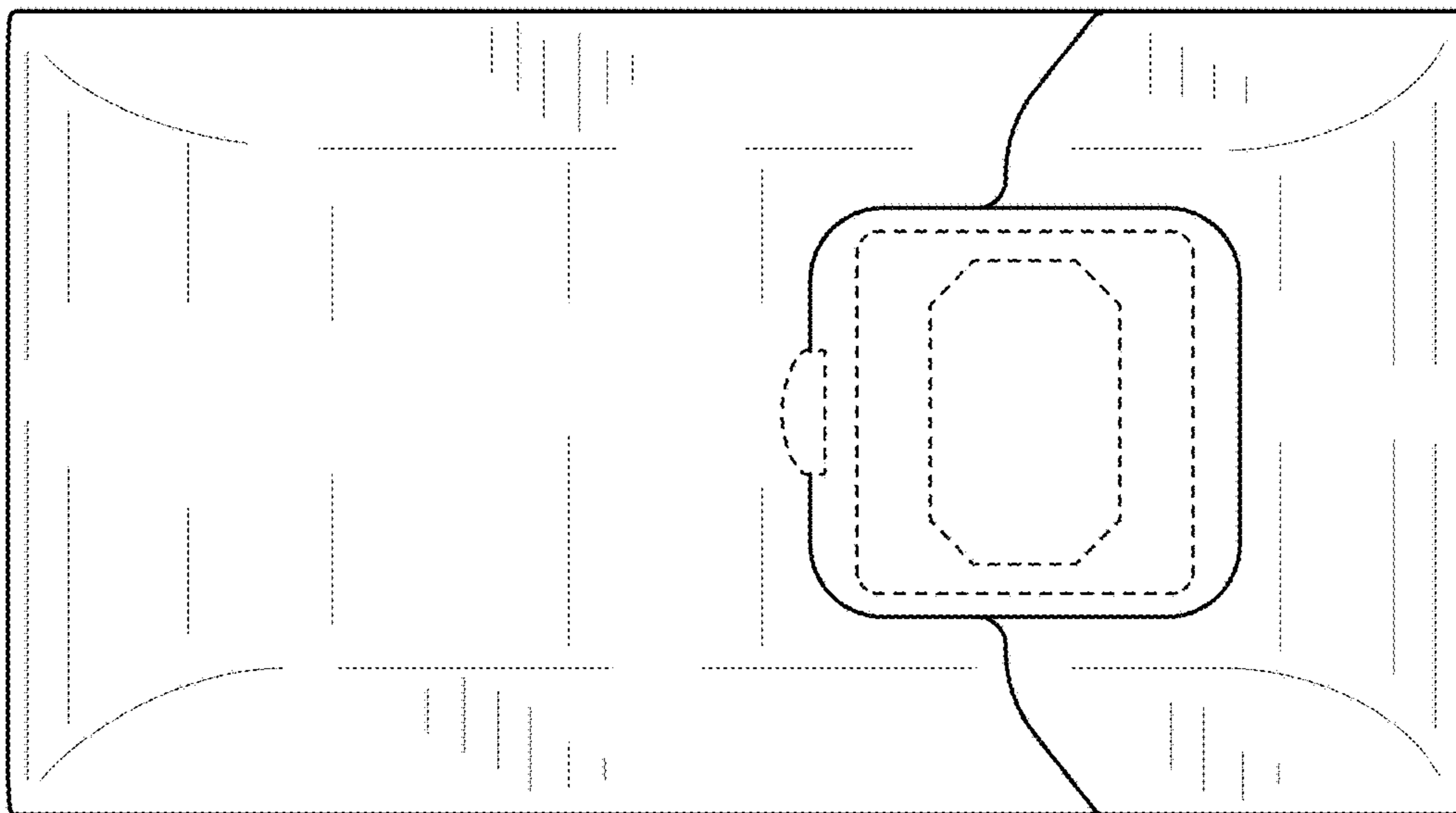


FIG. 4

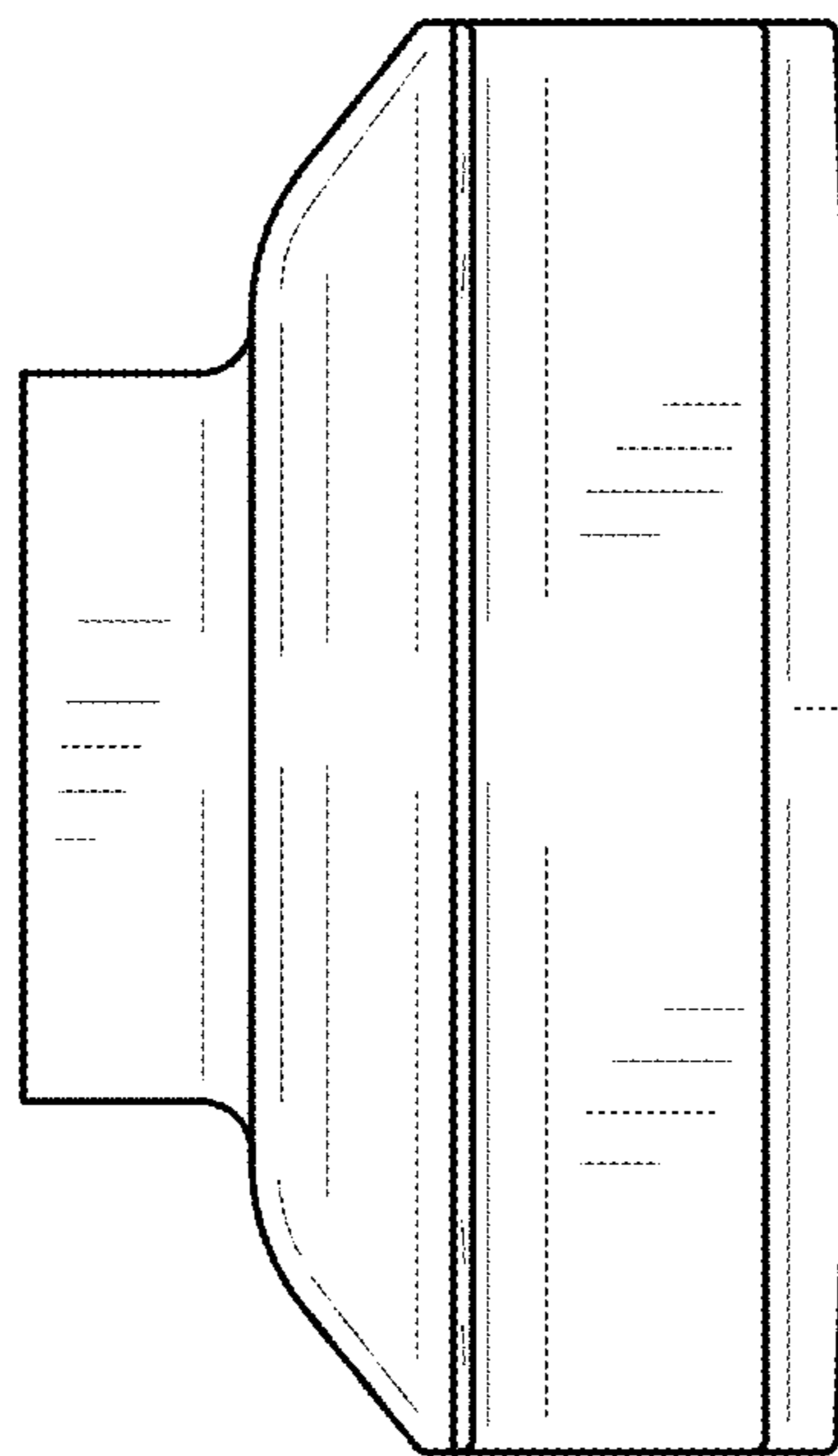


FIG. 5

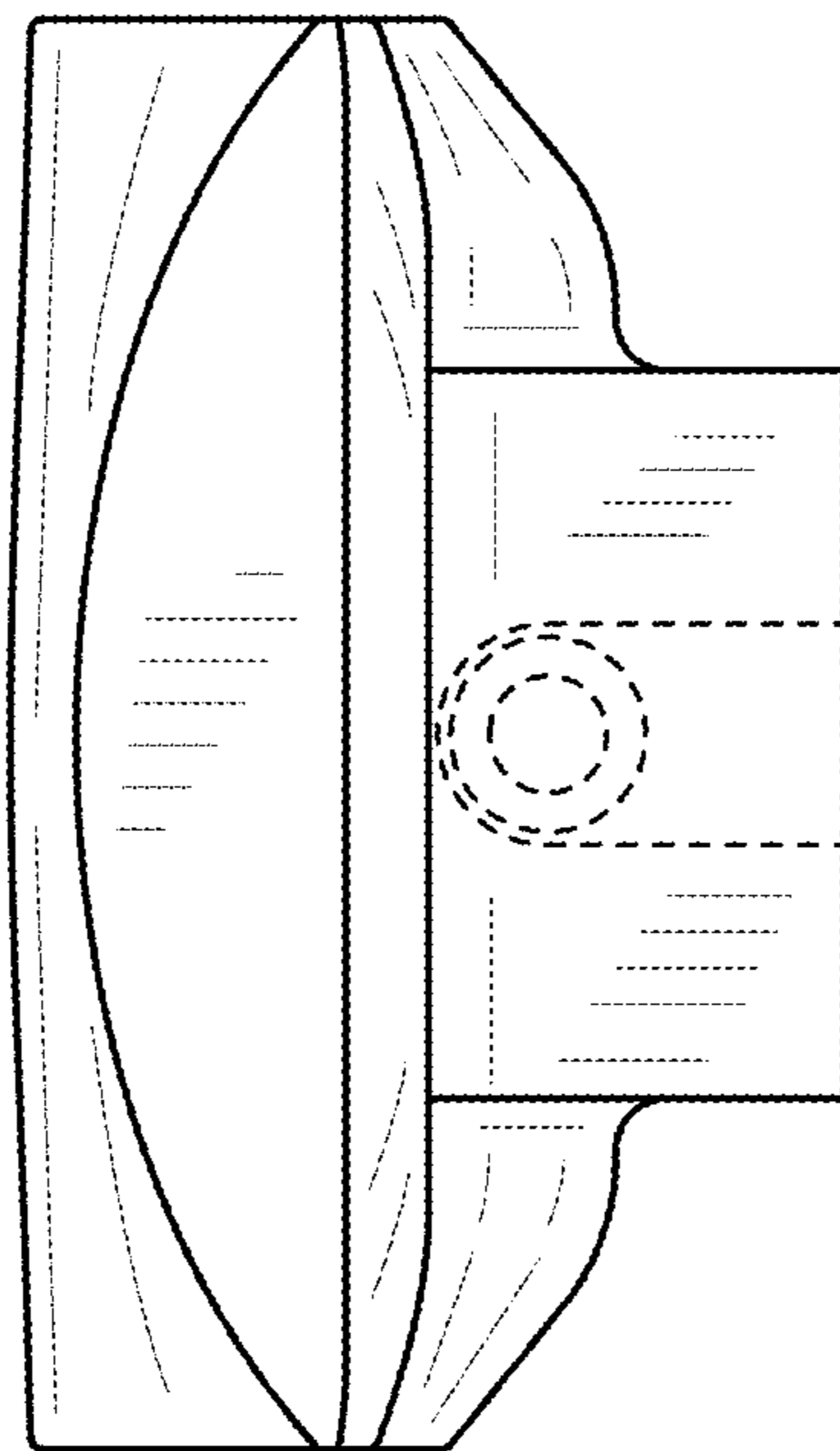


FIG. 6

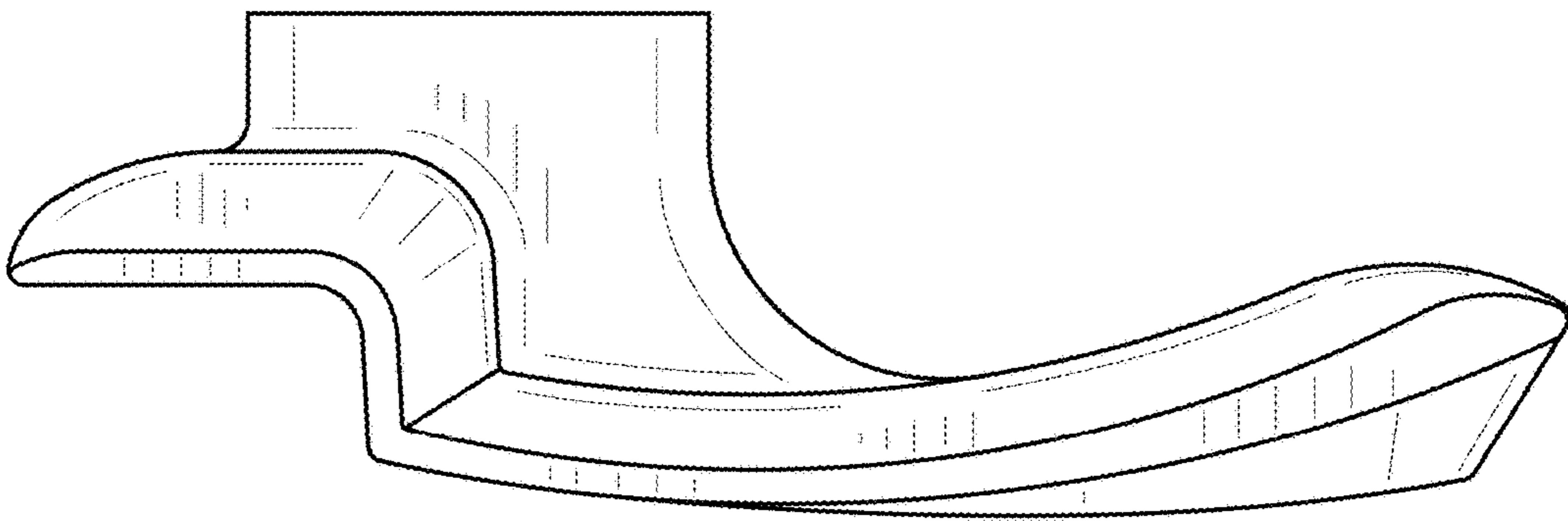


FIG. 7

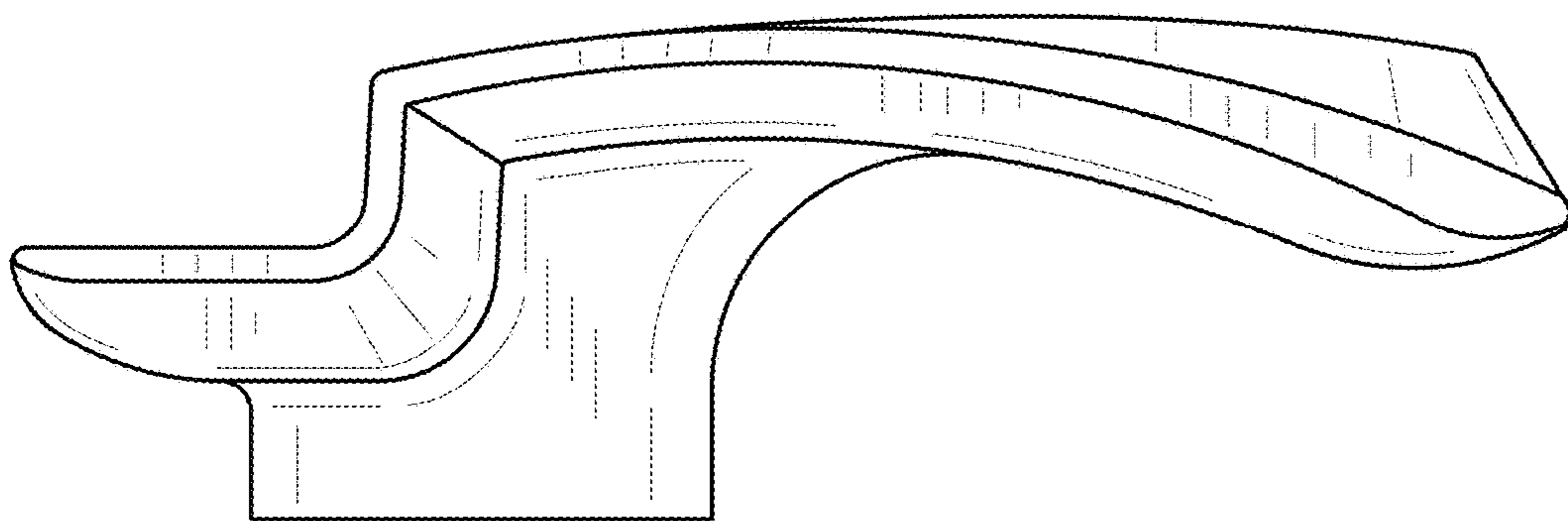


FIG. 8

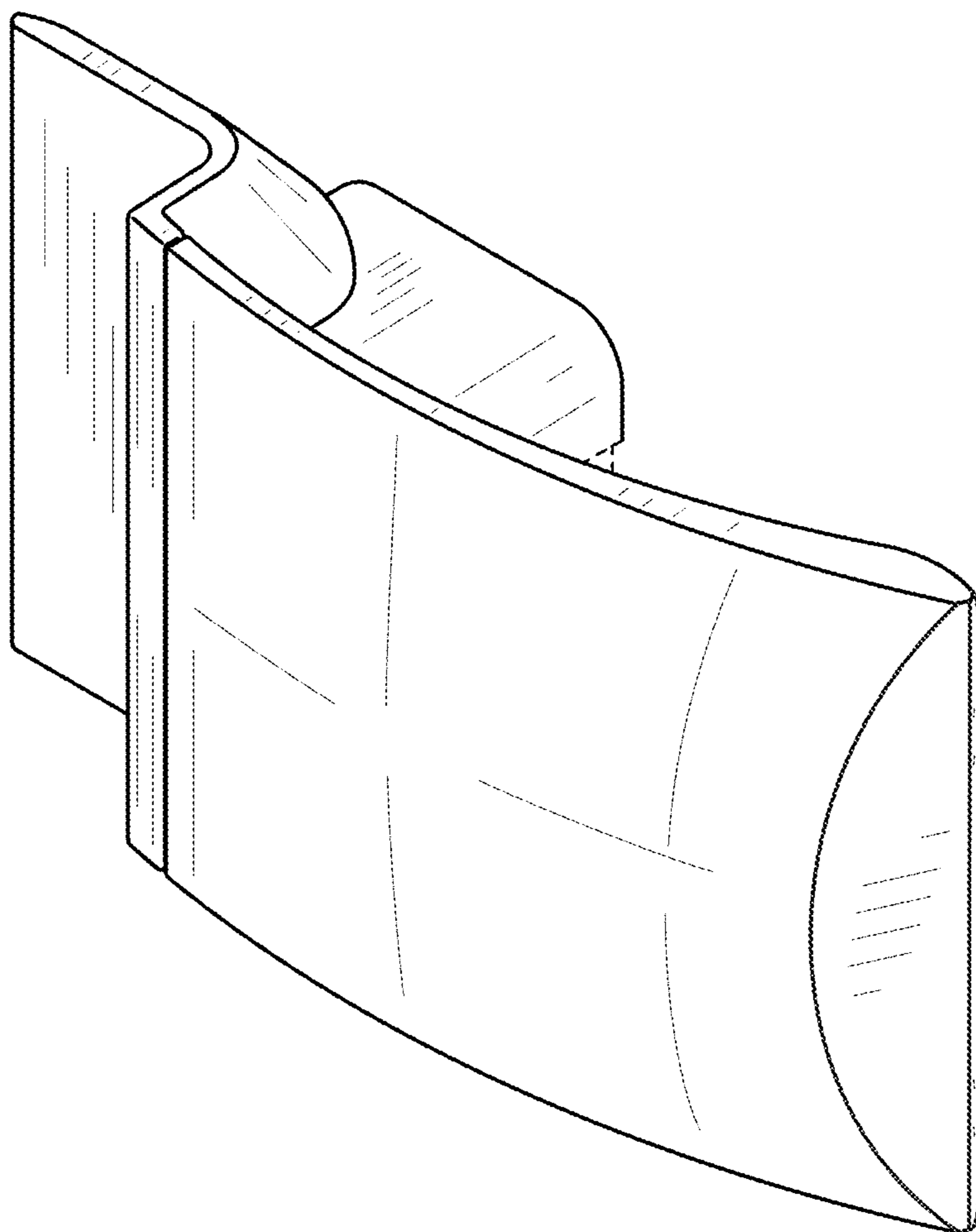


FIG. 9

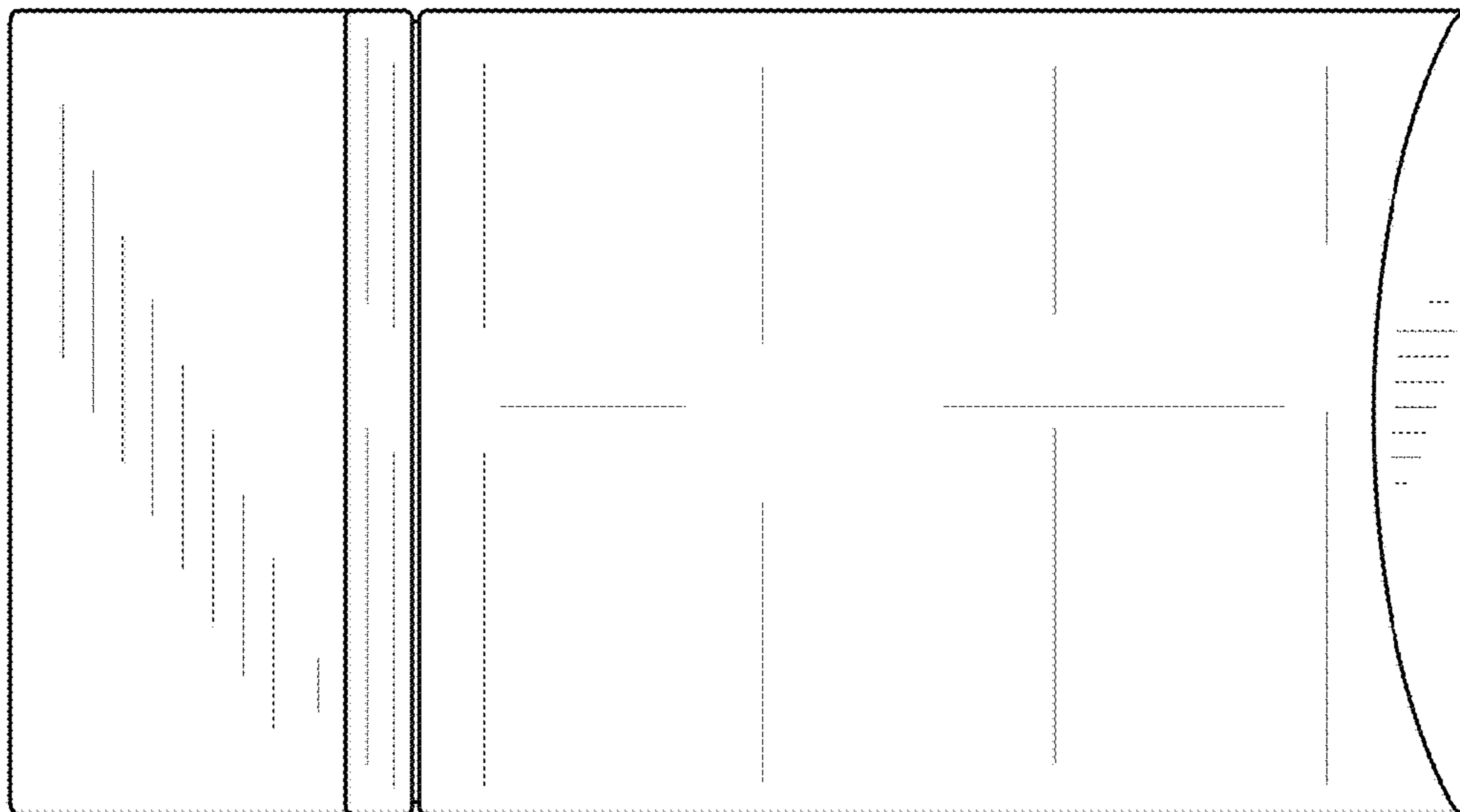


FIG. 10

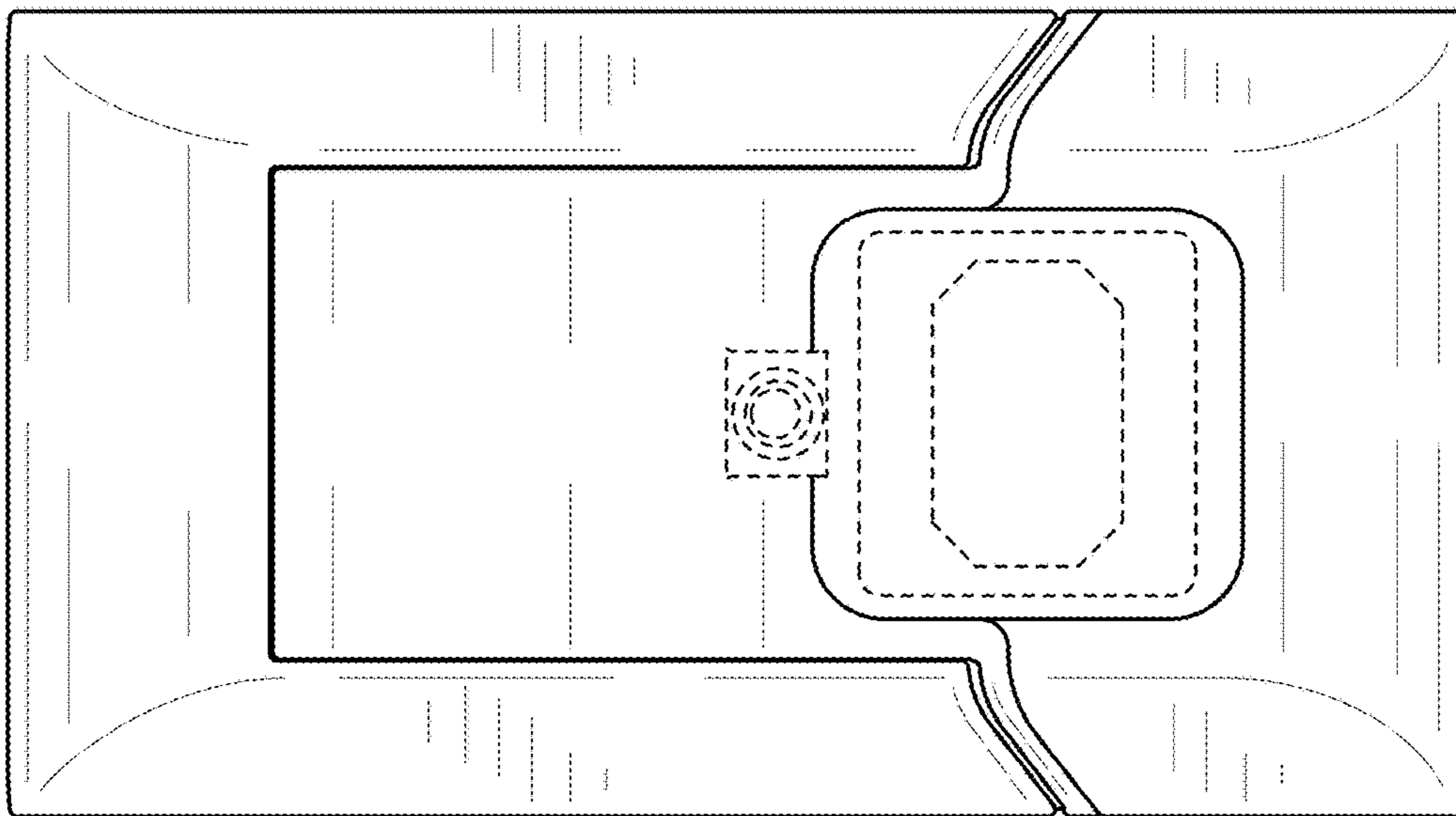


FIG. 11

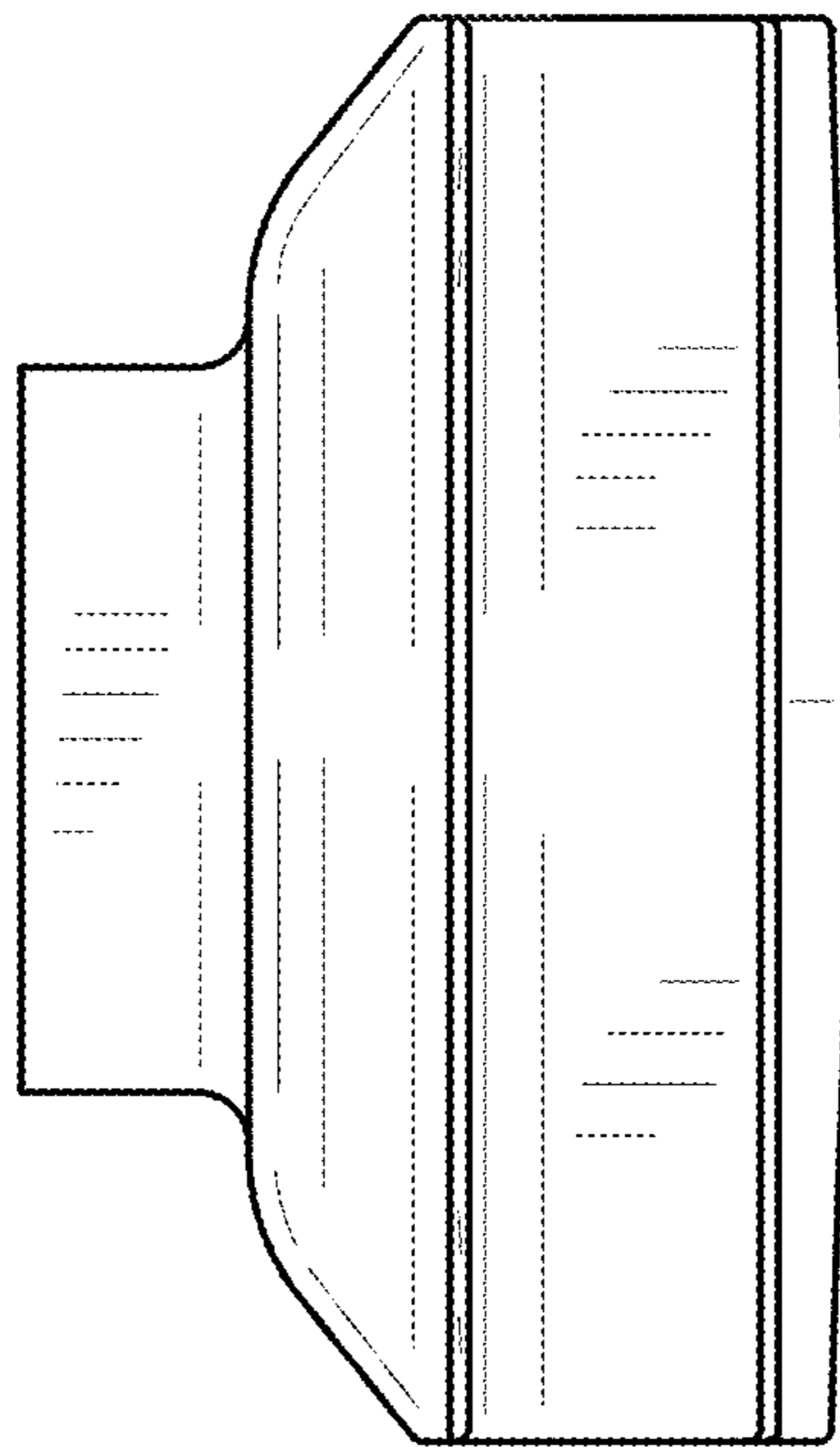


FIG. 12

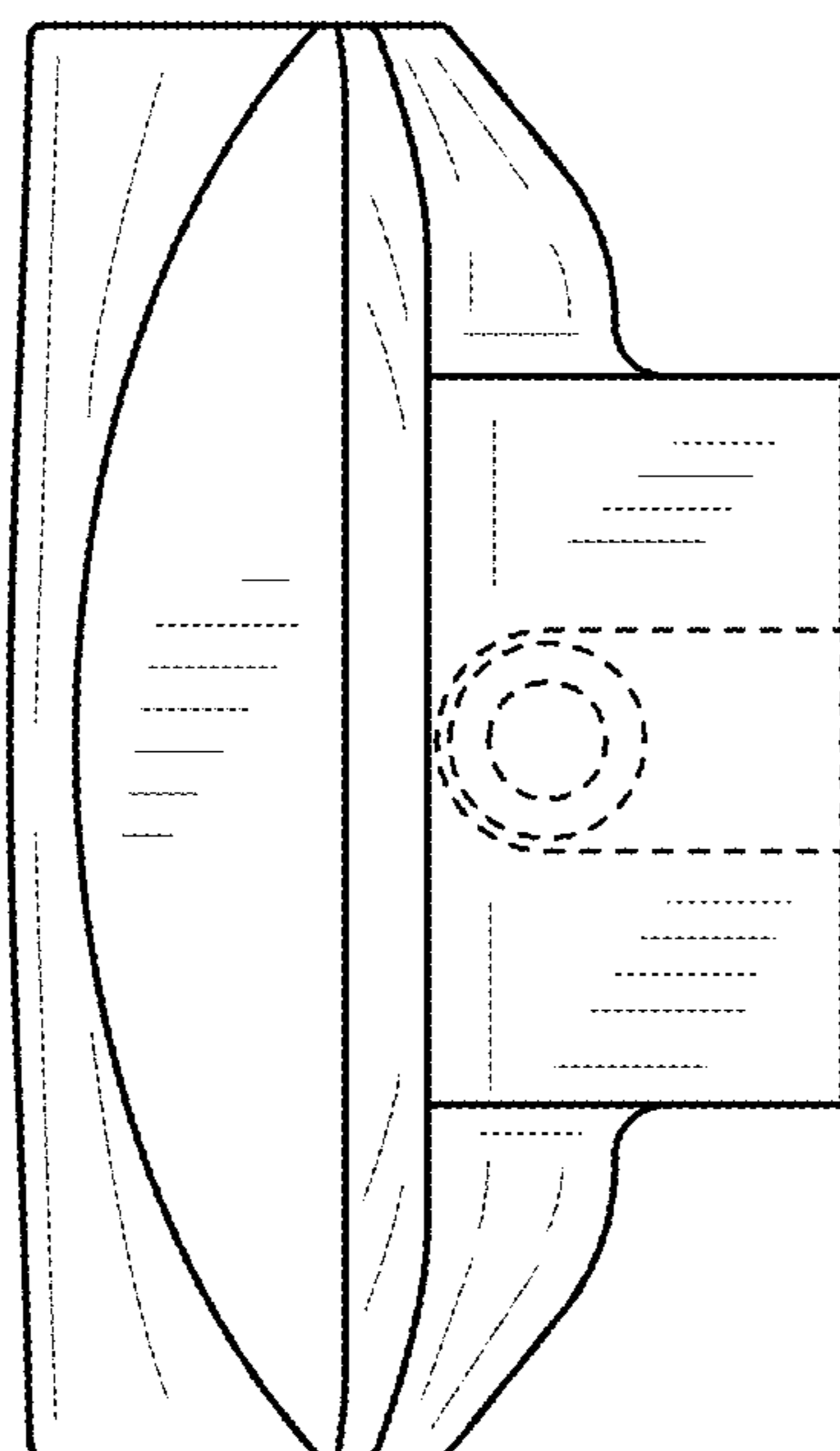


FIG. 13

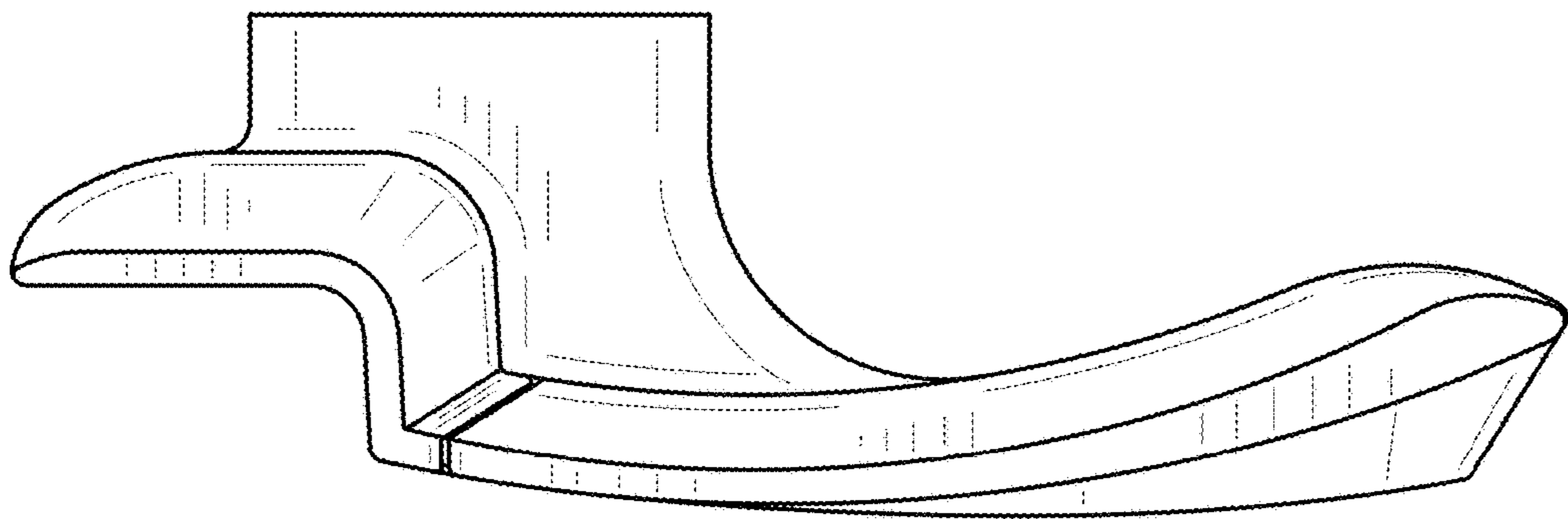


FIG. 14

