



US00D851475S

(12) **United States Design Patent**
Dahill et al.

(10) **Patent No.:** **US D851,475 S**
(45) **Date of Patent:** **** Jun. 18, 2019**

(54) **SCORING KNIFE**

(71) Applicant: **TTI (MACAO COMMERCIAL OFFSHORE) LIMITED, Macau (MO)**

(72) Inventors: **Drew A. Dahill, Pendleton, SC (US); Nicholas A. Costanzo, Greenville, SC (US)**

(73) Assignee: **TTI (MACAO COMMERCIAL OFFSHORE) LIMITED, Macau (MO)**

(**) Term: **15 Years**

(21) Appl. No.: **29/607,846**

(22) Filed: **Jun. 16, 2017**

(51) **LOC (11) Cl.** **08-03**

(52) **U.S. Cl.**
USPC **D8/98**

(58) **Field of Classification Search**
USPC D8/14, 21, 98, 88, 89, 105, 107, 84, 85;
D32/46
CPC ... B26D 3/00; B26D 3/02; B26D 3/06; B26D
3/065; B26D 3/08
See application file for complete search history.

4,010,542 A * 3/1977 Richardson B26B 3/08
30/164.9

D245,831 S * 9/1977 West D8/20

5,979,058 A 11/1999 Henke

6,009,581 A 1/2000 Davis

6,058,539 A 5/2000 Mitford-Taylor

D486,051 S * 2/2004 Parry D8/82

D521,331 S 5/2006 Zarb

7,818,843 B2 10/2010 Kinsky

D639,631 S * 6/2011 Kempker D8/98

8,250,767 B1 8/2012 Ciccarella

D693,077 S * 11/2013 Thompson D32/46

D721,557 S 1/2015 Ward

2009/0255132 A1 10/2009 Hoover

2010/0077890 A1 4/2010 Neiser

2010/0293796 A1 11/2010 Votolato

2013/0126575 A1 5/2013 Mallet

2014/0345146 A1 11/2014 Schekalla

* cited by examiner

Primary Examiner — Philip S Hyder
(74) *Attorney, Agent, or Firm* — Michael Best & Friedrich LLP

(57) **CLAIM**

We claim the ornamental design for a scoring knife, as shown.

DESCRIPTION

FIG. 1 is a perspective view of a scoring knife embodying our new design;
FIG. 2 is a front side view of the scoring knife of FIG. 1;
FIG. 3 is a back side view of the scoring knife of FIG. 1;
FIG. 4 is a left side view of the scoring knife of FIG. 1;
FIG. 5 is a right side view of the scoring knife of FIG. 1;
FIG. 6 is a top side view of the scoring knife of FIG. 1; and,
FIG. 7 is a bottom side view of the scoring knife of FIG. 1.

1 Claim, 5 Drawing Sheets

(56) **References Cited**

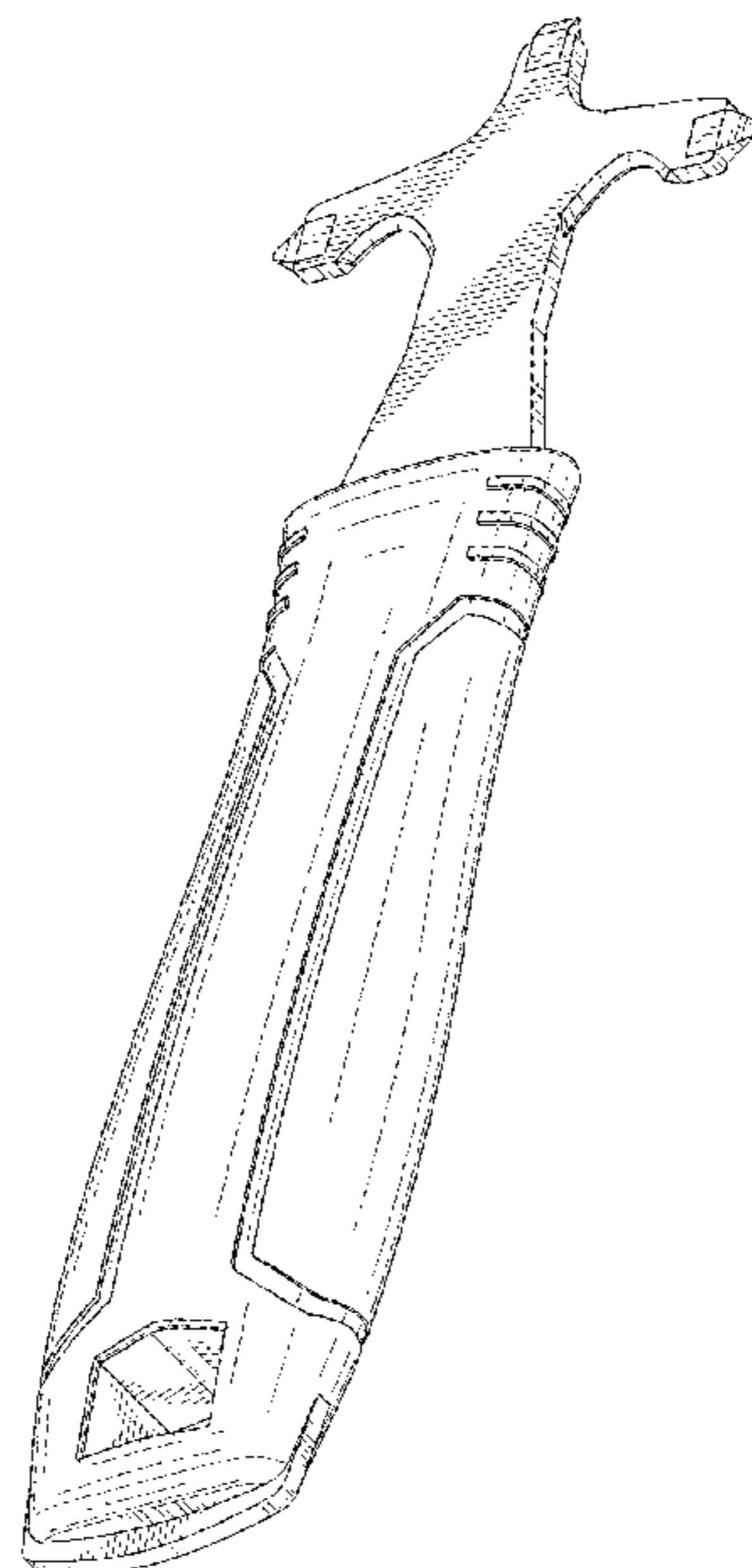
U.S. PATENT DOCUMENTS

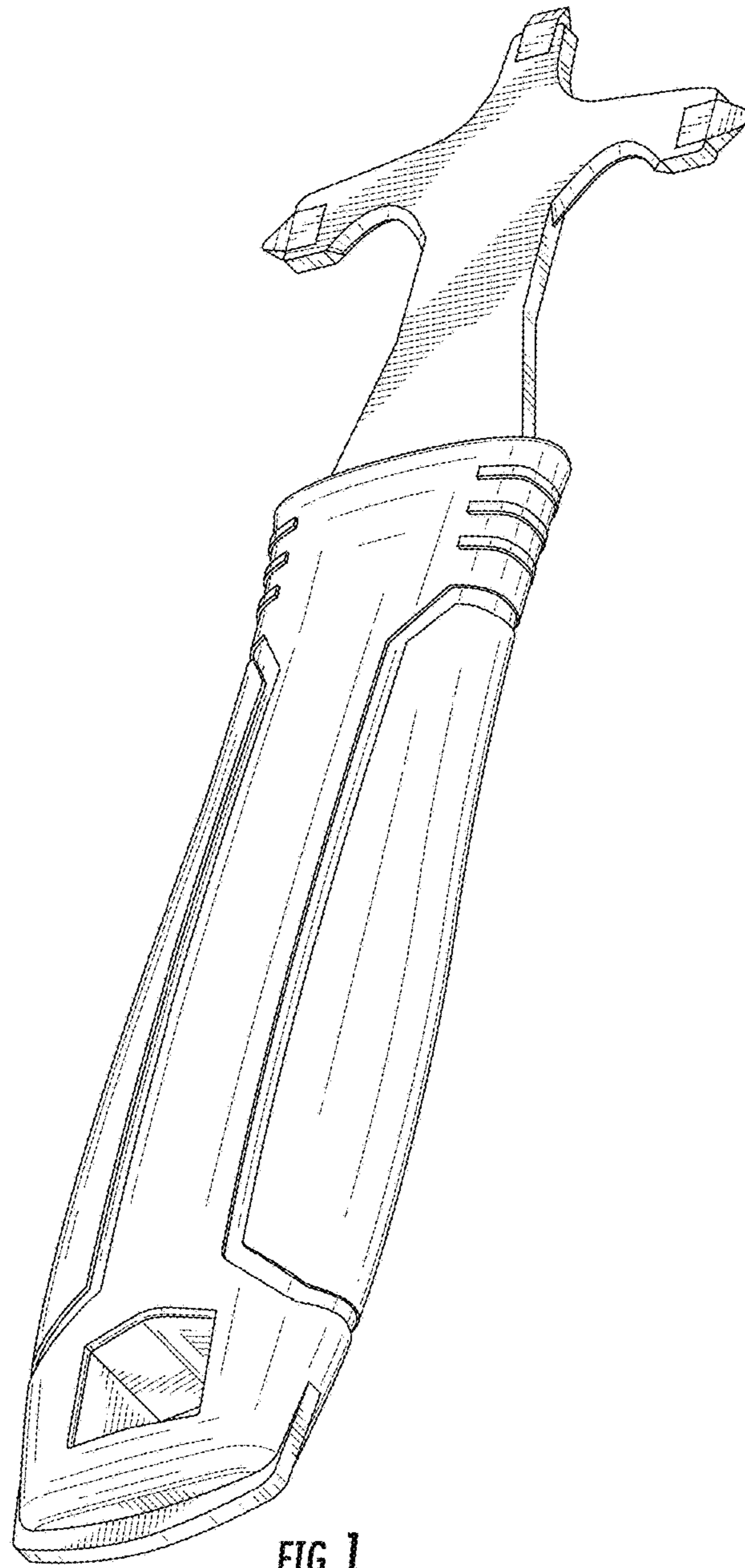
2,297,684 A 10/1942 Bratcher

2,847,758 A * 8/1958 Kozan B26B 5/00
30/164.9

3,355,804 A * 12/1967 Rothe B26B 5/005
30/317

3,601,893 A * 8/1971 Knox B26D 3/065
228/5.1





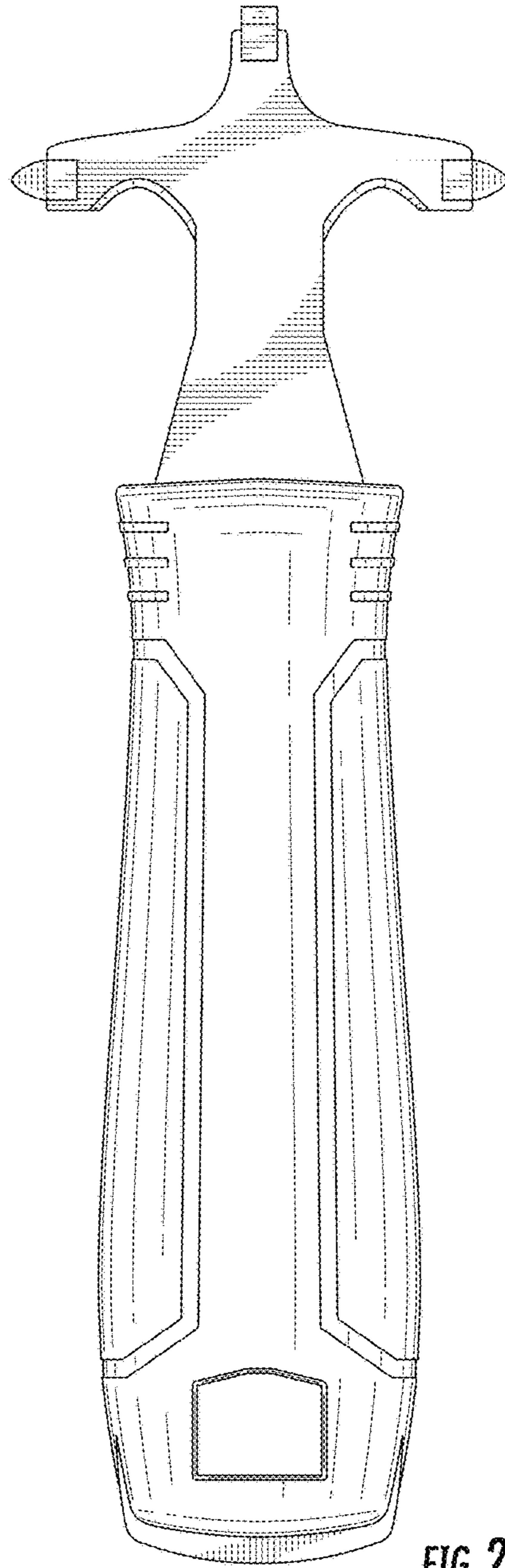


FIG. 2

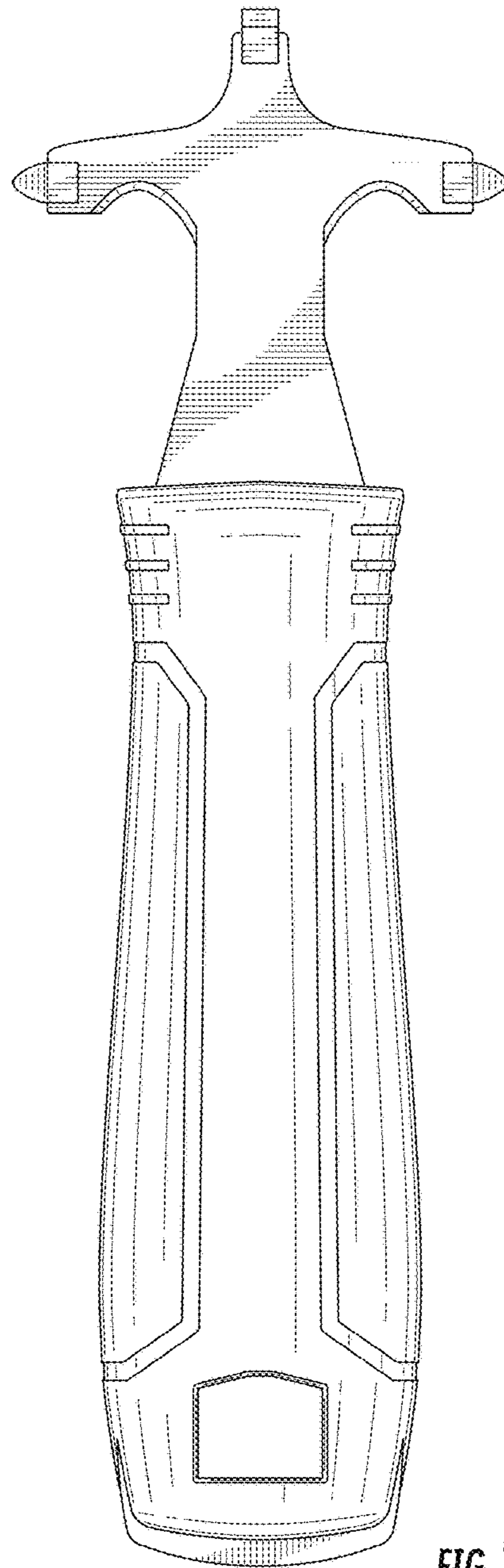


FIG. 3

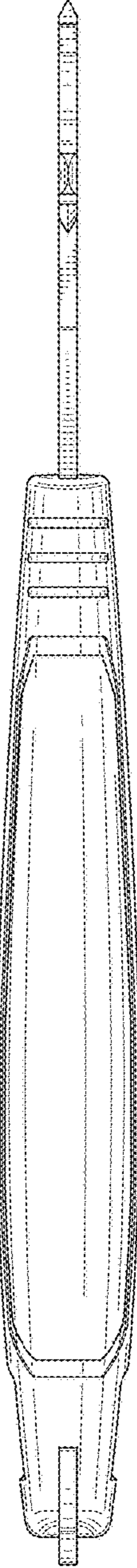


FIG. 4

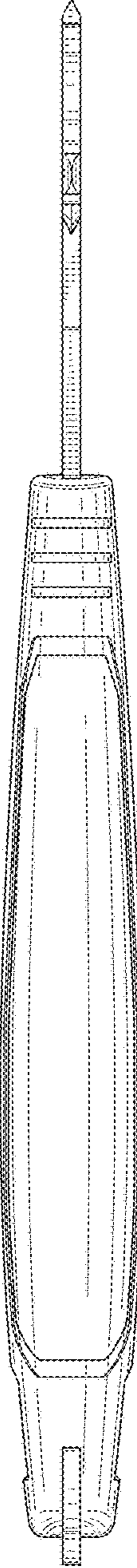


FIG. 5

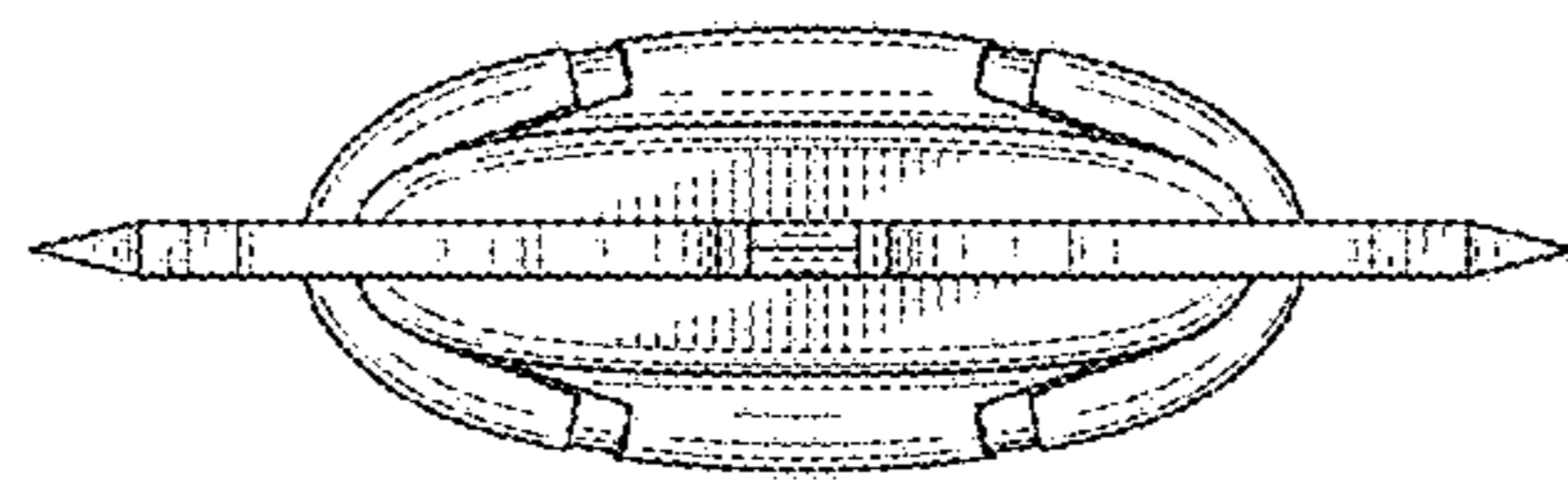


FIG. 6

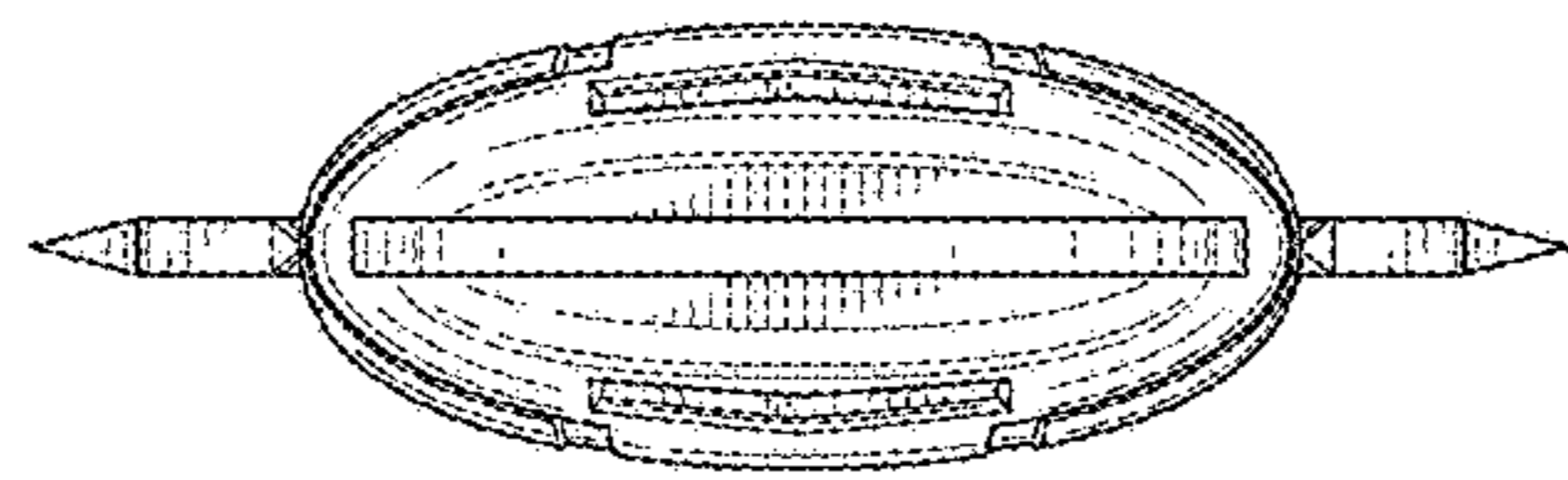


FIG. 7