



US00D851474S

(12) **United States Design Patent**
Koeniger et al.

(10) **Patent No.:** **US D851,474 S**
(45) **Date of Patent:** **** Jun. 18, 2019**

- (54) **CORDLESS COMBIHAMMER**
- (71) Applicant: **Hilti Aktiengesellschaft**, Schaan (LI)
- (72) Inventors: **Tobias Koeniger**, Bregenz (AT);
Graham Keevy, Aalen (DE); **Christian Scheidel**, Aalen (DE)
- (73) Assignee: **Hilti Aktiengesellschaft**, Schaan (LI)
- (**) Term: **15 Years**
- (21) Appl. No.: **29/621,273**
- (22) Filed: **Oct. 6, 2017**

- (30) **Foreign Application Priority Data**
Apr. 7, 2017 (WO) DM/096240
- (51) **LOC (11) Cl.** **08-05**
- (52) **U.S. Cl.**
USPC **D8/69**
- (58) **Field of Classification Search**
USPC D8/14.1, 61-70
CPC B25D 16/00; B25D 17/02; B25D 11/125
See application file for complete search history.

- (56) **References Cited**
U.S. PATENT DOCUMENTS
D524,626 S * 7/2006 Stirm D8/69
D527,601 S * 9/2006 Stirm D8/69
D535,537 S * 1/2007 Aglassinger D8/69
D540,642 S * 4/2007 Stirm D8/69
D543,082 S * 5/2007 Stirm D8/69
D575,606 S * 8/2008 Okouchi D8/69

- D581,235 S * 11/2008 Aglassinger D8/69
- D663,183 S * 7/2012 Sell D8/69
- D676,731 S * 2/2013 Aglassinger D8/69
- D691,011 S * 10/2013 Walz D8/68
- D695,086 S * 12/2013 Walz D8/68
- D740,636 S * 10/2015 Koeniger D8/69
- D815,933 S * 4/2018 Koeniger D8/69
- 2014/0318821 A1 * 10/2014 Wyler B25D 11/125
173/104

* cited by examiner
Primary Examiner — Darlington Ly
(74) *Attorney, Agent, or Firm* — Crowell & Moring LLP

(57) **CLAIM**
The ornamental design for a cordless combihammer, as shown and described.

DESCRIPTION
The file of this patent contains a least one drawing executed in color. Copies of this patent with color drawings will be provided by the Office upon request and payment of necessary fee.
FIG. 1 is a top, front, and left side perspective view of a cordless combihammer showing our new design;
FIG. 2 is a bottom, rear, and right side perspective view thereof;
FIG. 3 is a front elevation view thereof;
FIG. 4 is a rear elevation view thereof;
FIG. 5 is a left side elevation view thereof;
FIG. 6 is a right side elevation view thereof;
FIG. 7 is a top plan view thereof; and,
FIG. 8 is a bottom plan view thereof.

1 Claim, 8 Drawing Sheets
(8 of 8 Drawing Sheet(s) Filed in Color)





Fig. 1



Fig. 2

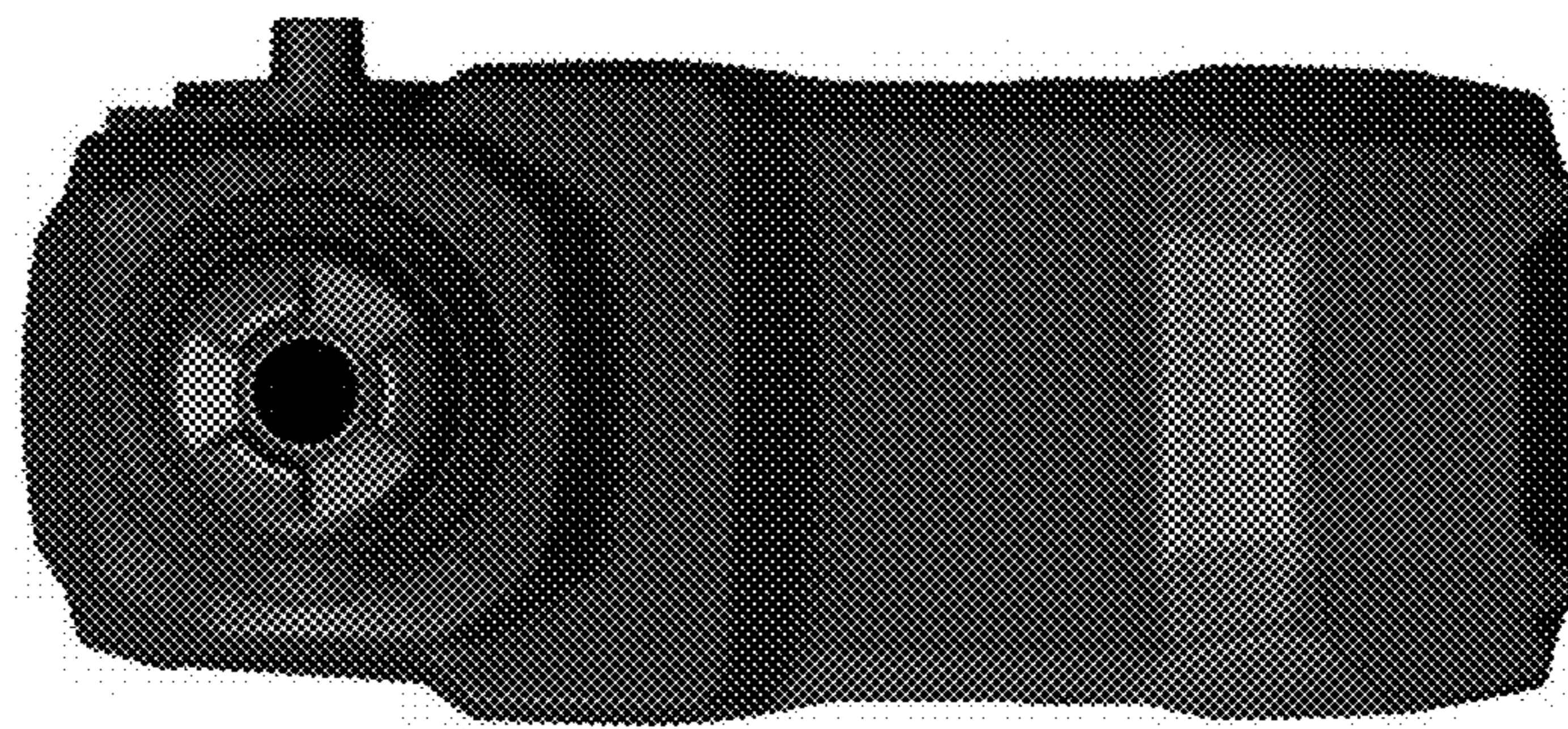


Fig. 3

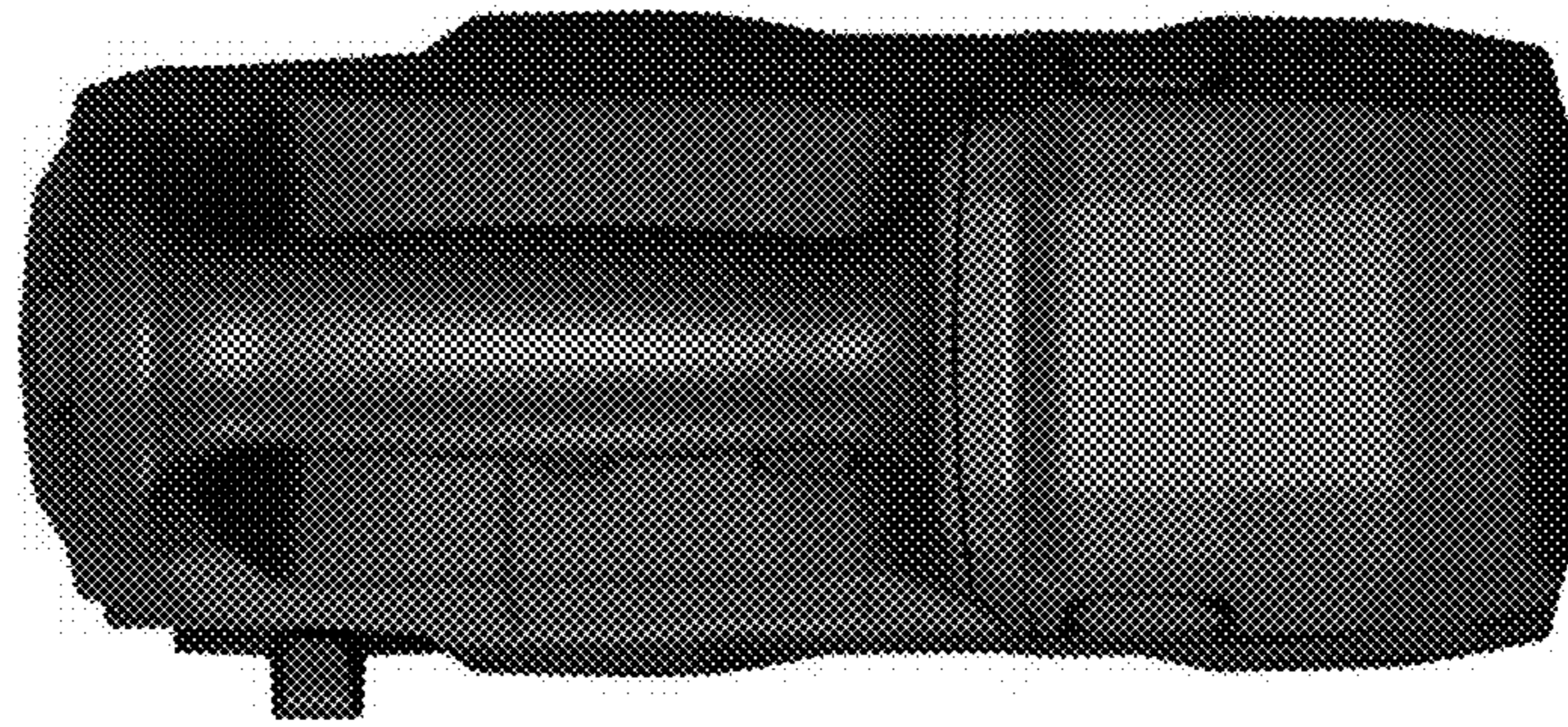


Fig. 4



Fig. 5



Fig. 6

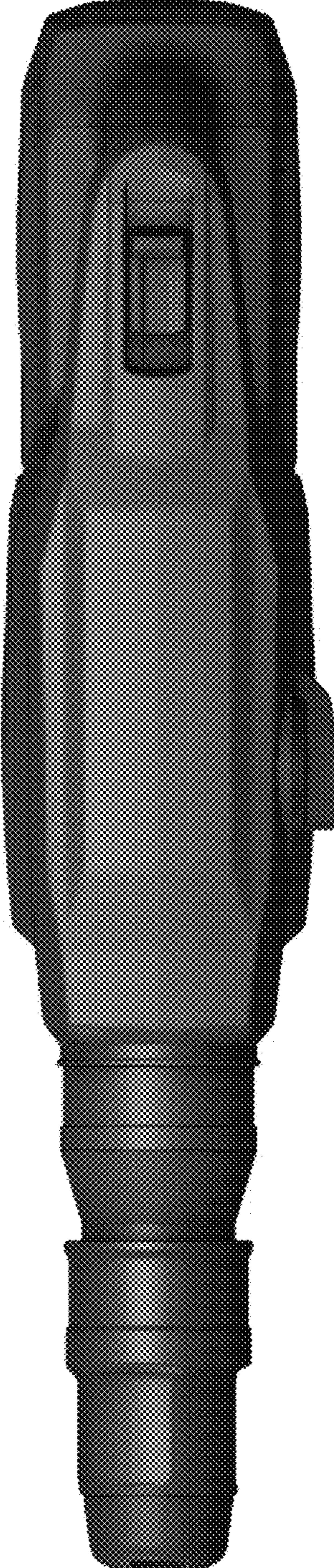


Fig. 7

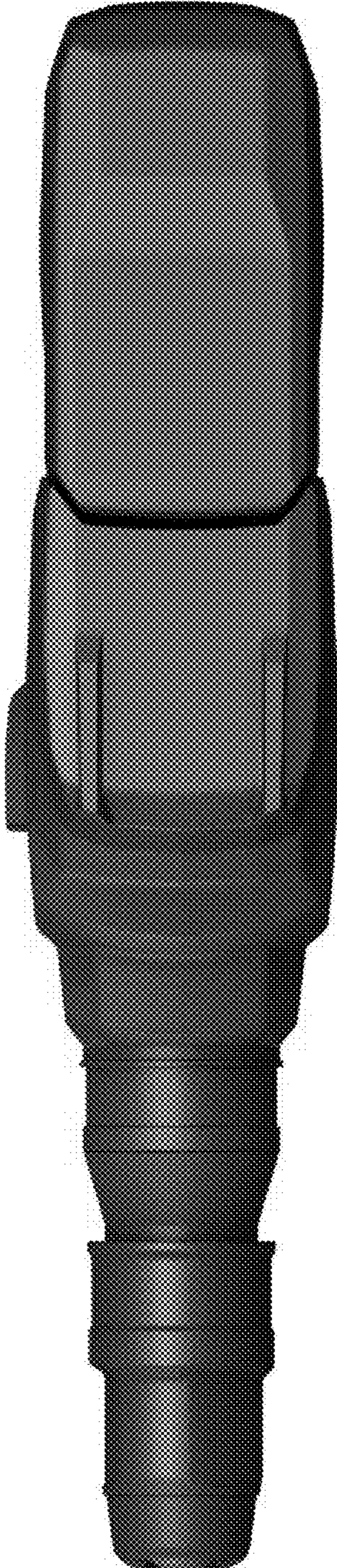


Fig. 8