



US00D851473S

(12) **United States Design Patent**
Hyma et al.

(10) **Patent No.:** **US D851,473 S**
(45) **Date of Patent:** **** Jun. 18, 2019**

(54) **CUTTER**

(71) Applicant: **MILWAUKEE ELECTRIC TOOL CORPORATION**, Brookfield, WI (US)

(72) Inventors: **Steven W. Hyma**, Milwaukee, WI (US); **Matthew W. Naiva**, Wauwatosa, WI (US); **Derek Rose**, Menomonee Falls, WI (US)

(73) Assignee: **Milwaukee Electric Tool Corporation**, Brookfield, WI (US)

(**) Term: **15 Years**

(21) Appl. No.: **29/634,969**

(22) Filed: **Jan. 26, 2018**

Related U.S. Application Data

(63) Continuation of application No. 29/539,528, filed on Sep. 15, 2015, now Pat. No. Des. 808,756.

(51) **LOC (11) Cl.** **08-03**

(52) **U.S. Cl.**
USPC **D8/60**

(58) **Field of Classification Search**
USPC D8/4, 5, 51-60

(Continued)

(56) **References Cited**

U.S. PATENT DOCUMENTS

1,393,156 A 10/1921 Nonneman
2,697,875 A 12/1954 McIver

(Continued)

FOREIGN PATENT DOCUMENTS

WO WO2002002264 1/2002

OTHER PUBLICATIONS

International Search Report and Written Opinion for Application No. PCT/US2016/051982 dated Jan. 9, 2017 (15 pages).

Primary Examiner — Deanna L Pratt

(74) *Attorney, Agent, or Firm* — Reinhart Boerner Van Deuren s.c.

(57) **CLAIM**

We claim the ornamental design for a cutter, as shown and described.

DESCRIPTION

FIG. 1 is a view of one side of a cutter.
FIG. 2 is a view of the other side the cutter of FIG. 1.
FIG. 3 is a front view of the cutter of FIG. 1.
FIG. 4 is a rear view of the cutter of FIG. 1.
FIG. 5 is a bottom view of the cutter of FIG. 1.
FIG. 6 is a top view of the cutter of FIG. 1.
FIG. 7 is a front bottom perspective view of the cutter of FIG. 1.
FIG. 8 is a front top perspective view of the cutter of FIG. 1.
FIG. 9 is a rear top perspective view of the cutter of FIG. 1.
FIG. 10 is a rear bottom perspective view of the cutter FIG. 1.
FIG. 11 is a front perspective view of the cutter of FIG. 1.
FIG. 12 is a rear perspective view of the cutter of FIG. 1.
FIG. 13 is a top perspective view of the cutter of FIG. 1.
FIG. 14 is a bottom perspective view of the cutter of FIG. 1.
FIG. 15 is a view of one side of an alternative construction of a cutter.
FIG. 16 is a view of the other side the cutter of FIG. 15.
FIG. 17 is a front view of the cutter of FIG. 15.
FIG. 18 is a rear view of the cutter of FIG. 15.
FIG. 19 is a bottom view of the cutter of FIG. 15.
FIG. 20 is a top view of the cutter of FIG. 15.
FIG. 21 is a front bottom perspective view of the cutter of FIG. 15.
FIG. 22 is a front top perspective view of the cutter of FIG. 15.
FIG. 23 is a rear top perspective view of the cutter of FIG. 15.
FIG. 24 is a rear bottom perspective view of the cutter FIG. 15.
FIG. 25 is a front perspective view of the cutter of FIG. 15.

(Continued)

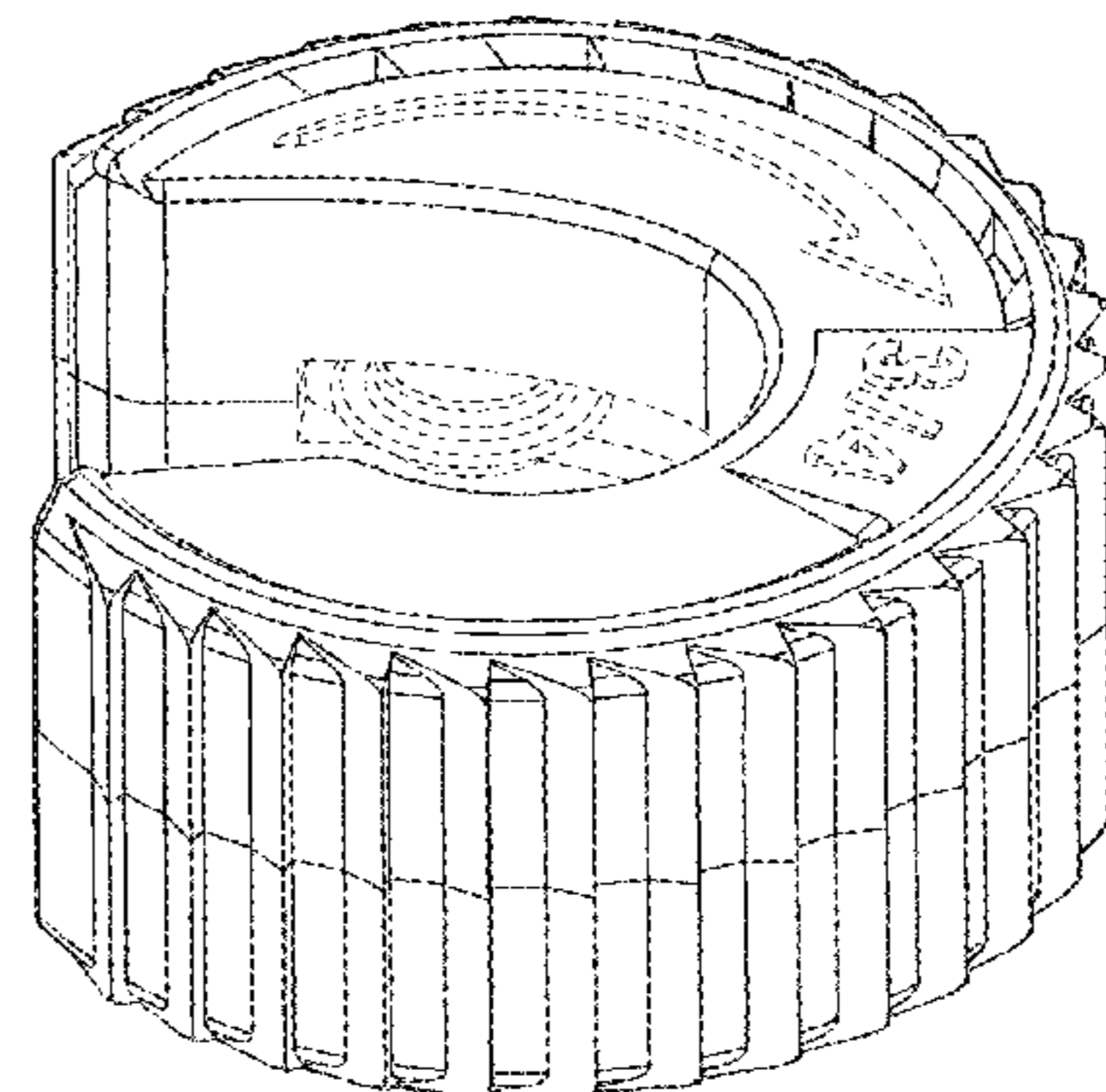
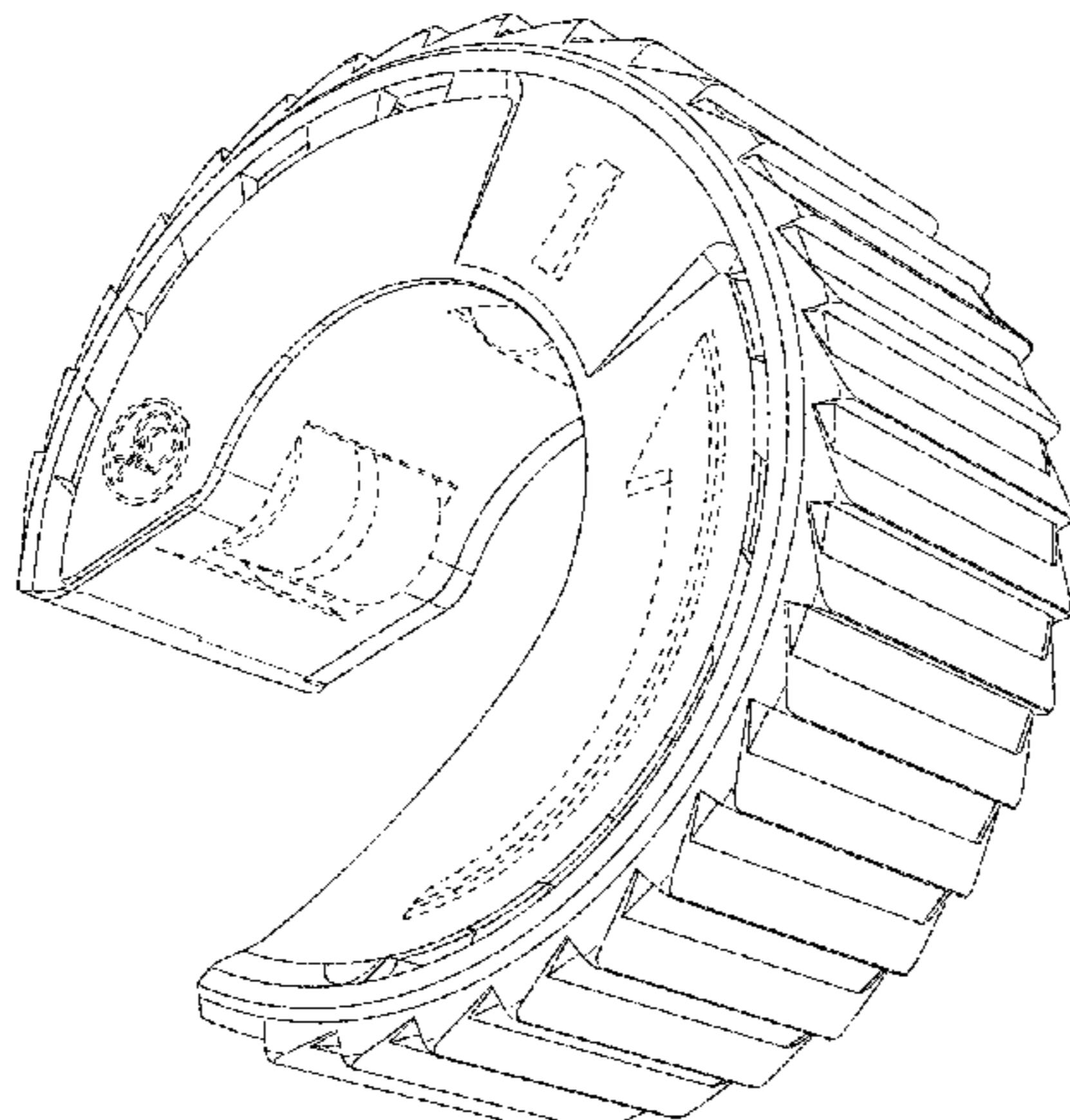


FIG. 26 is a rear perspective view of the cutter of FIG. 15.
 FIG. 27 is a top perspective view of the cutter of FIG. 15.
 FIG. 28 is a bottom perspective view of the cutter of FIG. 15.
 FIG. 29 is a view of one side of another alternative construction of a cutter.
 FIG. 30 is a view of the other side the cutter of FIG. 29.
 FIG. 31 is a front view of the cutter of FIG. 29.
 FIG. 32 is a rear view of the cutter of FIG. 29.
 FIG. 33 is a bottom view of the cutter of FIG. 29.
 FIG. 34 is a top view of the cutter of FIG. 29.
 FIG. 35 is a front bottom perspective view of the cutter of FIG. 29.
 FIG. 36 is a front top perspective view of the cutter of FIG. 29.
 FIG. 37 is a rear top perspective view of the cutter of FIG. 29.
 FIG. 38 is a rear bottom perspective view of the cutter FIG. 29.
 FIG. 39 is a front perspective view of the cutter of FIG. 29.
 FIG. 40 is a rear perspective view of the cutter of FIG. 29.
 FIG. 41 is a top perspective view of the cutter of FIG. 29; and,
 FIG. 42 is a bottom perspective view of the cutter of FIG. 29.
 The broken lines in the figures represent portions of the cutter that form no part of the claimed design.

1 Claim, 42 Drawing Sheets

(58) **Field of Classification Search**

CPC B23D 21/04; B23D 21/06; B23D 21/08;
 B26D 3/16; B26D 3/169
 See application file for complete search history.

(56) **References Cited**

U.S. PATENT DOCUMENTS

2,796,663 A 6/1957 Karnes
 2,956,339 A 10/1960 Jonasson

3,347,118 A	10/1967	Gore et al.	
3,757,823 A	9/1973	Knutson	
3,783,901 A	1/1974	Schneider et al.	
4,201,116 A	5/1980	Martin	
4,485,846 A	12/1984	Neff	
4,493,150 A	1/1985	Garcia et al.	
4,596,271 A	6/1986	Brundage	
4,831,732 A	5/1989	Garton	
5,285,576 A	2/1994	Taylor	
5,366,202 A	11/1994	Lunzman	
5,520,217 A	5/1996	Grawunde	
5,605,289 A	2/1997	Maley et al.	
5,632,258 A	5/1997	Tsuzuki et al.	
5,865,156 A	2/1999	Feucht et al.	
5,903,980 A	5/1999	Collier et al.	
6,024,060 A	2/2000	Buehrle, II et al.	
6,026,791 A	2/2000	Arnold	
6,050,248 A	4/2000	Arulraja et al.	
6,173,684 B1	1/2001	Buehrle, II et al.	
6,178,956 B1	1/2001	Steinmann et al.	
6,182,646 B1	2/2001	Silberstein et al.	
6,345,444 B1	2/2002	Gillet et al.	
D464,244 S	10/2002	Lira-Nunez	
6,601,821 B2	8/2003	Tyler	
D556,528 S	12/2007	Huang	
7,406,769 B1	8/2008	Toussaint	
7,743,510 B2	6/2010	Lazarevic	
D640,520 S	6/2011	Rampling	
8,573,099 B2	11/2013	Huang	
8,601,697 B2	12/2013	Whittaker	
8,800,151 B2	8/2014	Lee	
D808,756 S	1/2018	Hyma et al.	
10,046,470 B2 *	8/2018	Thorson	B23D 21/04
10,052,701 B2 *	8/2018	Zhou	B23D 21/08
2006/0085987 A1	4/2006	Gordon	
2007/0180701 A1	8/2007	Hutt	
2010/0088898 A1	4/2010	Thorson et al.	
2011/0179649 A1	7/2011	Park	
2012/0023752 A1	2/2012	Rampling et al.	
2012/0247286 A1	10/2012	Huang	
2016/0361829 A1 *	12/2016	Hyma	B26B 25/005
2018/0250759 A1 *	9/2018	Hyma	B25G 1/102
2018/0290323 A1 *	10/2018	Xie	B26D 3/169

* cited by examiner

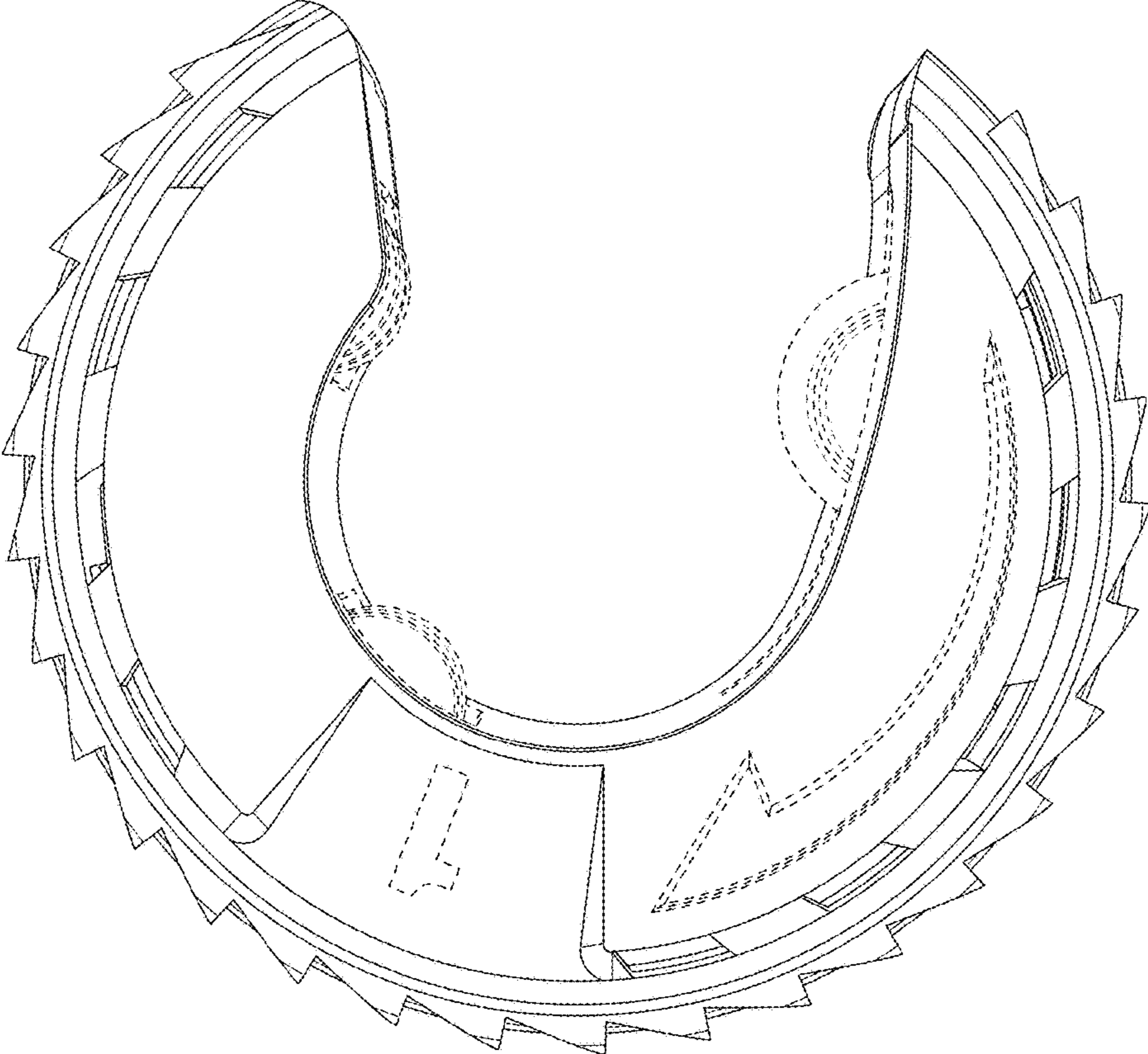


FIG. 1

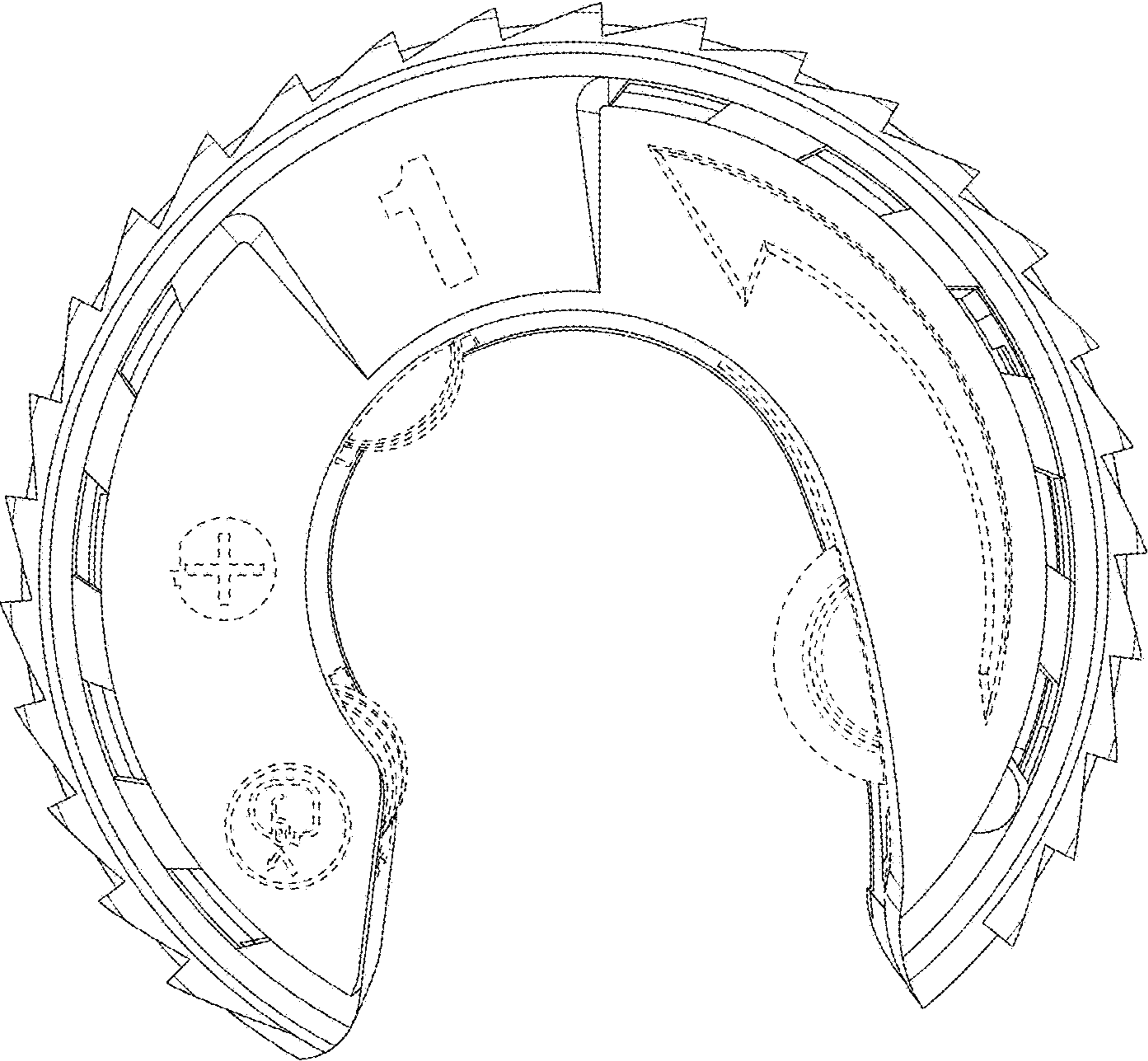


FIG. 2

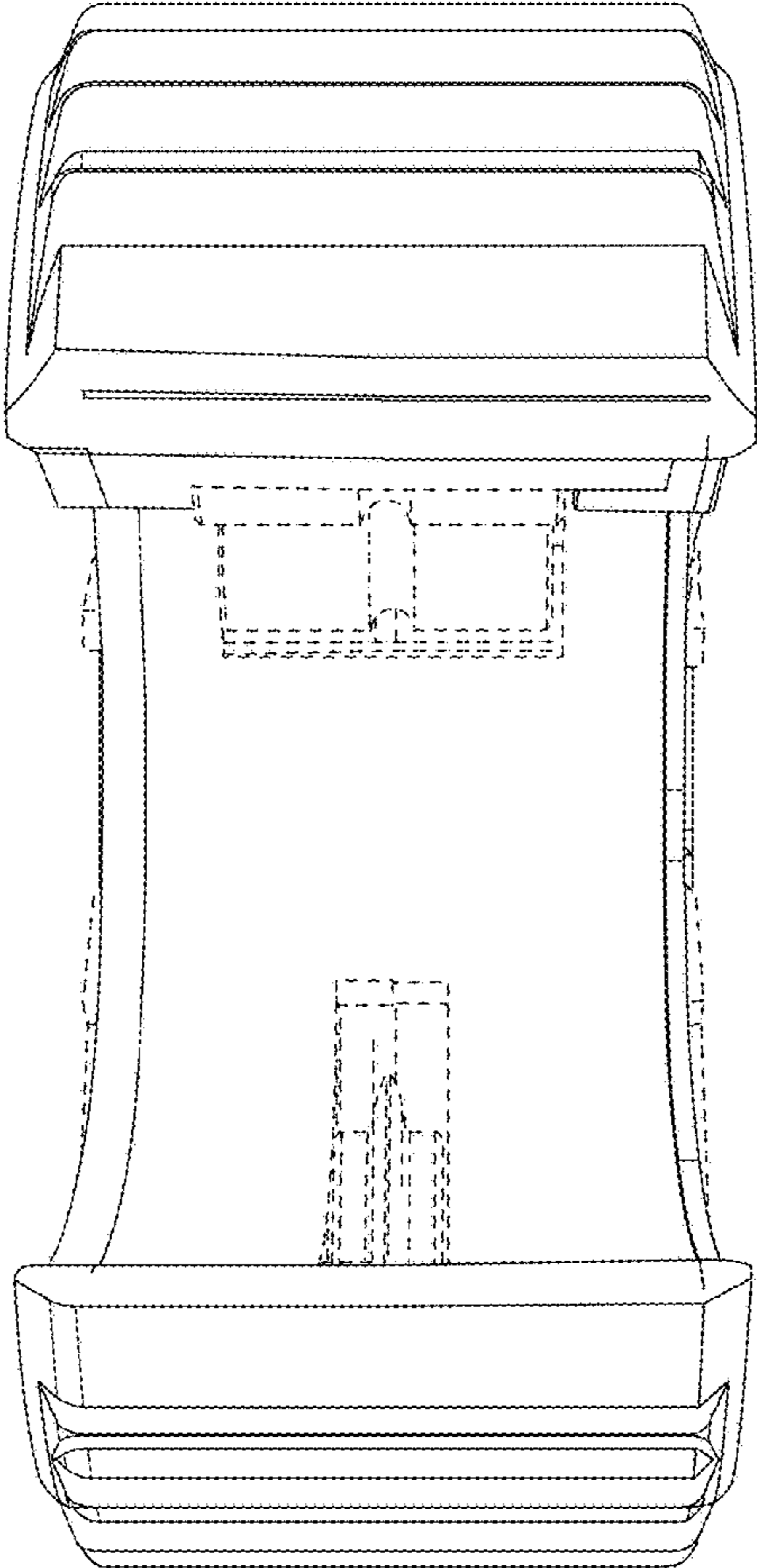


FIG. 3

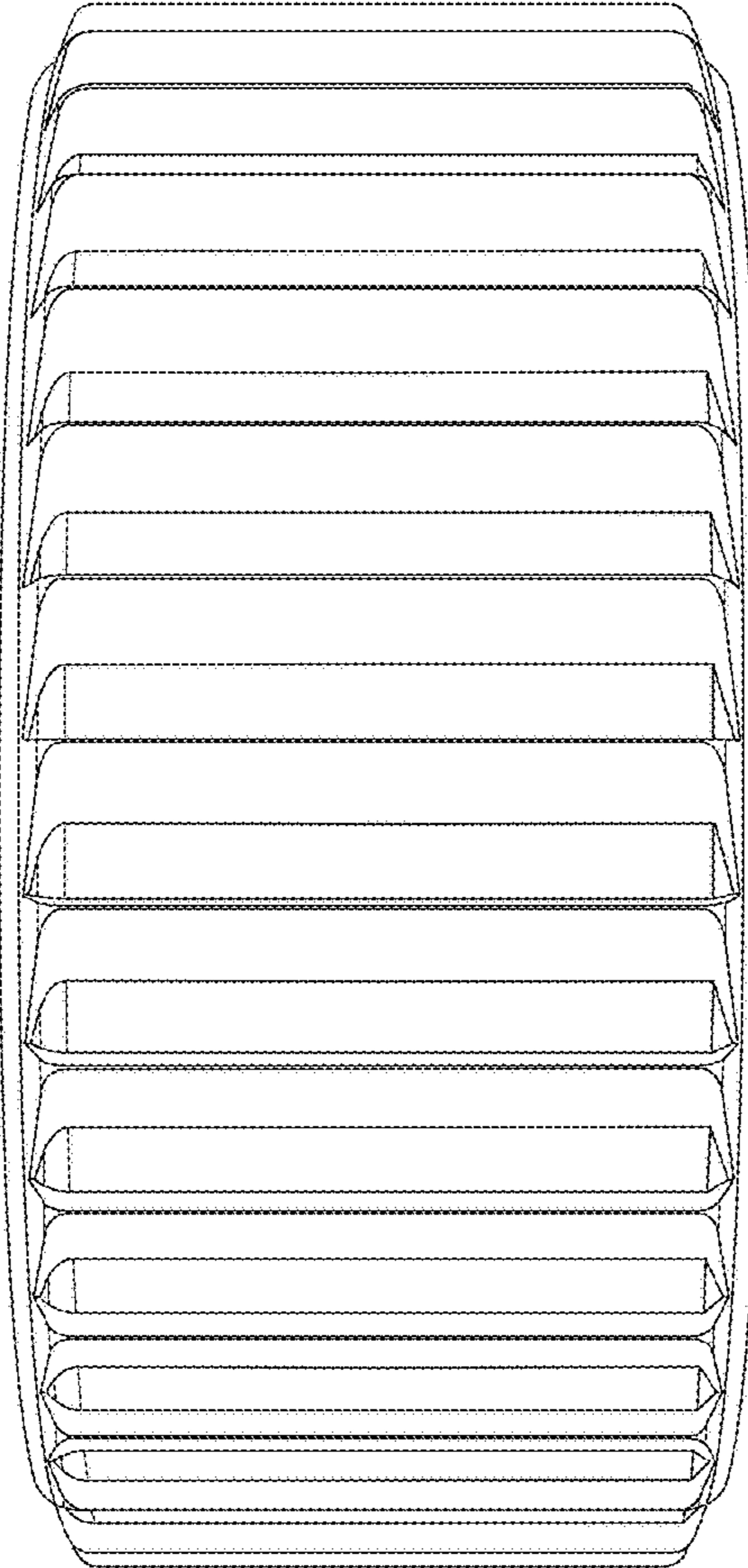


FIG. 4

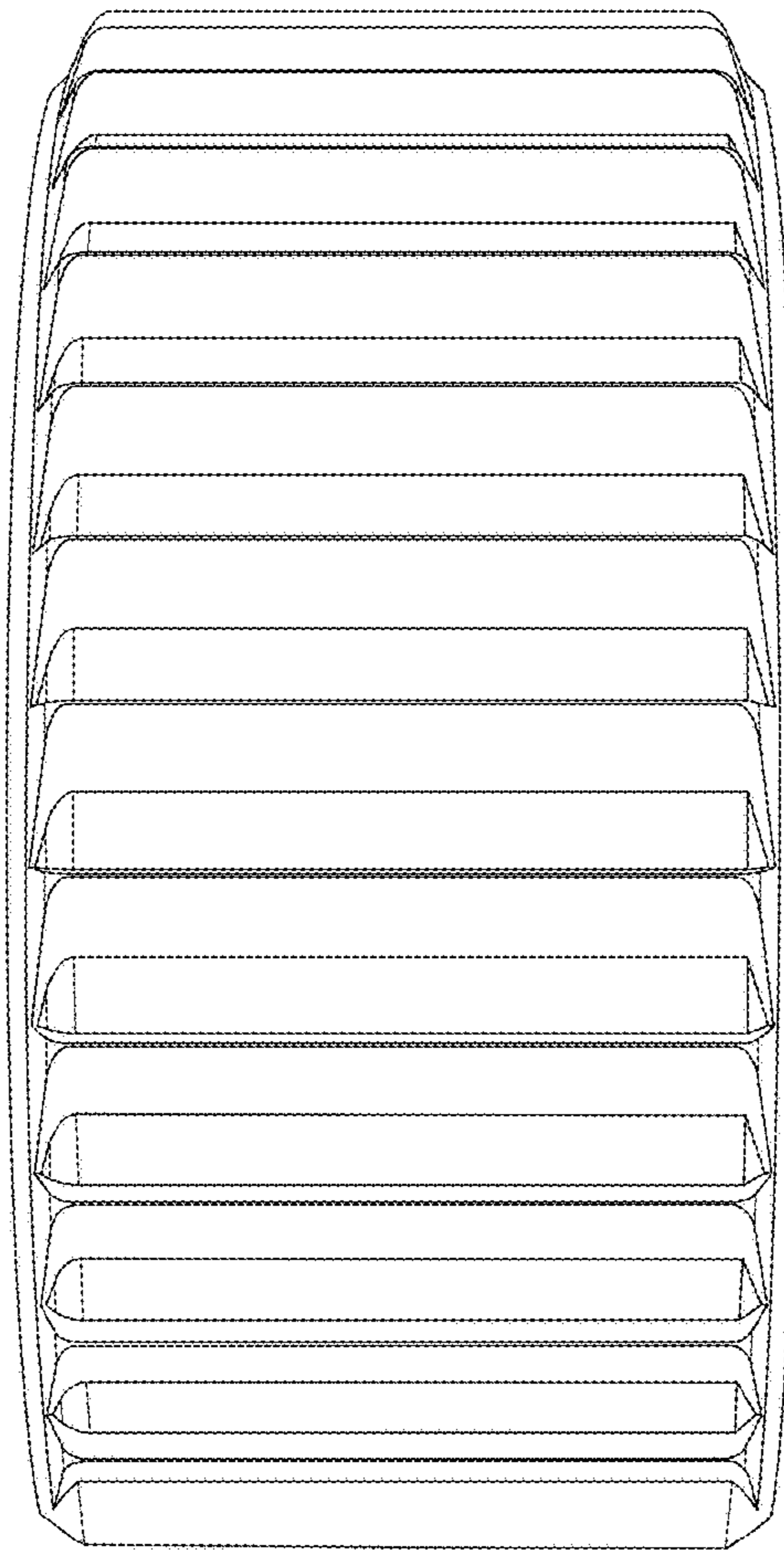


FIG. 5

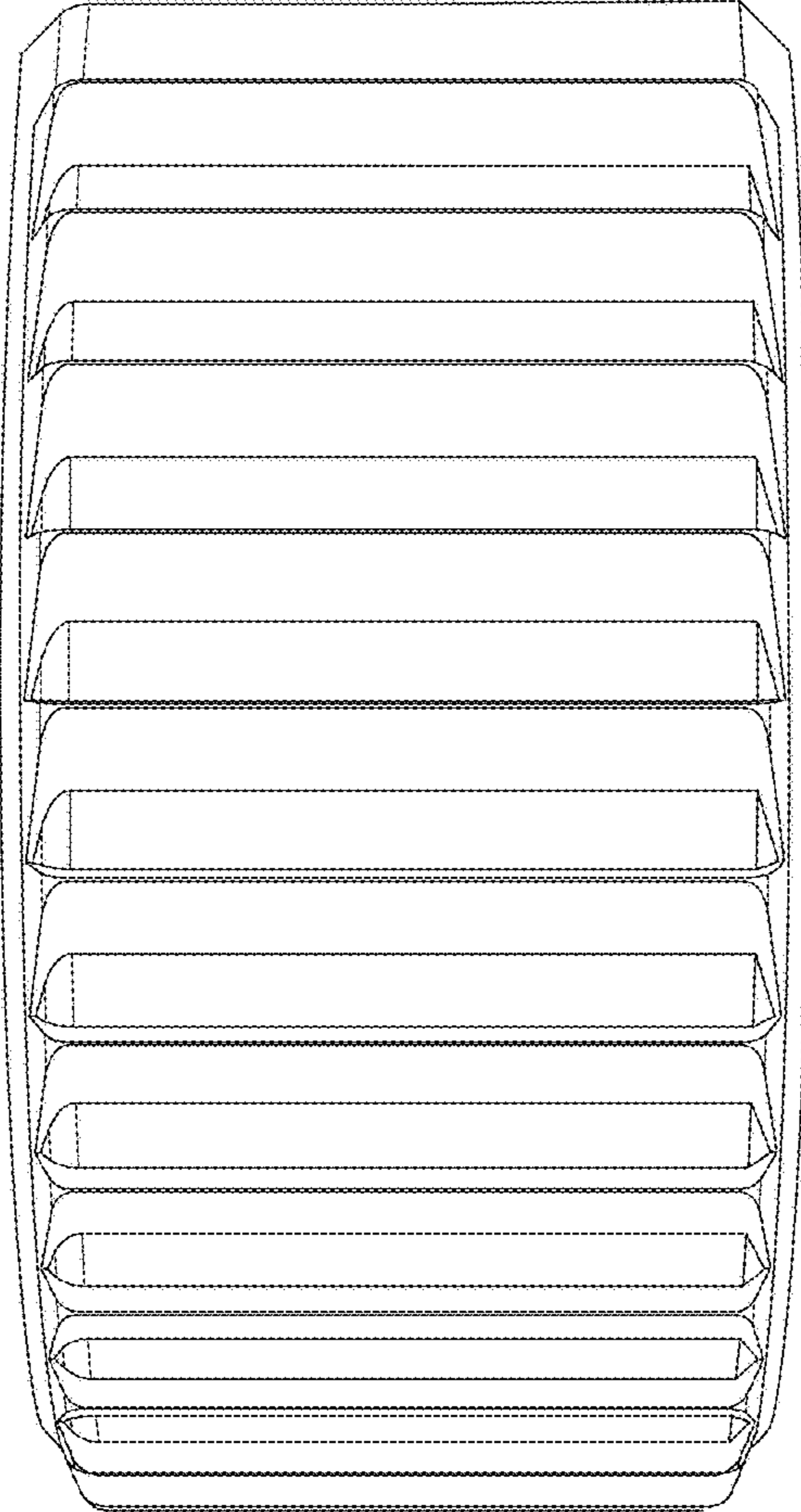


FIG. 6

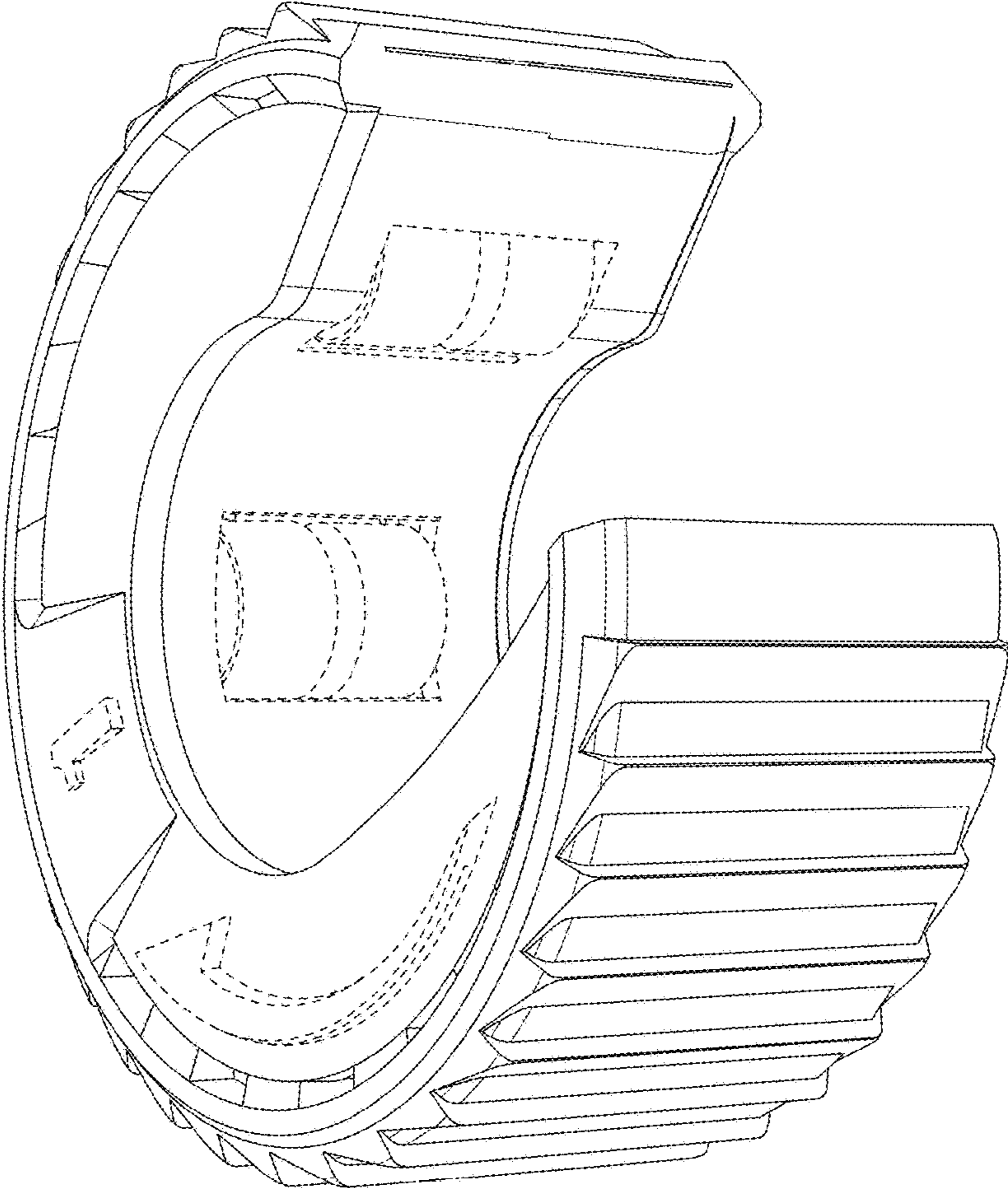


FIG. 7

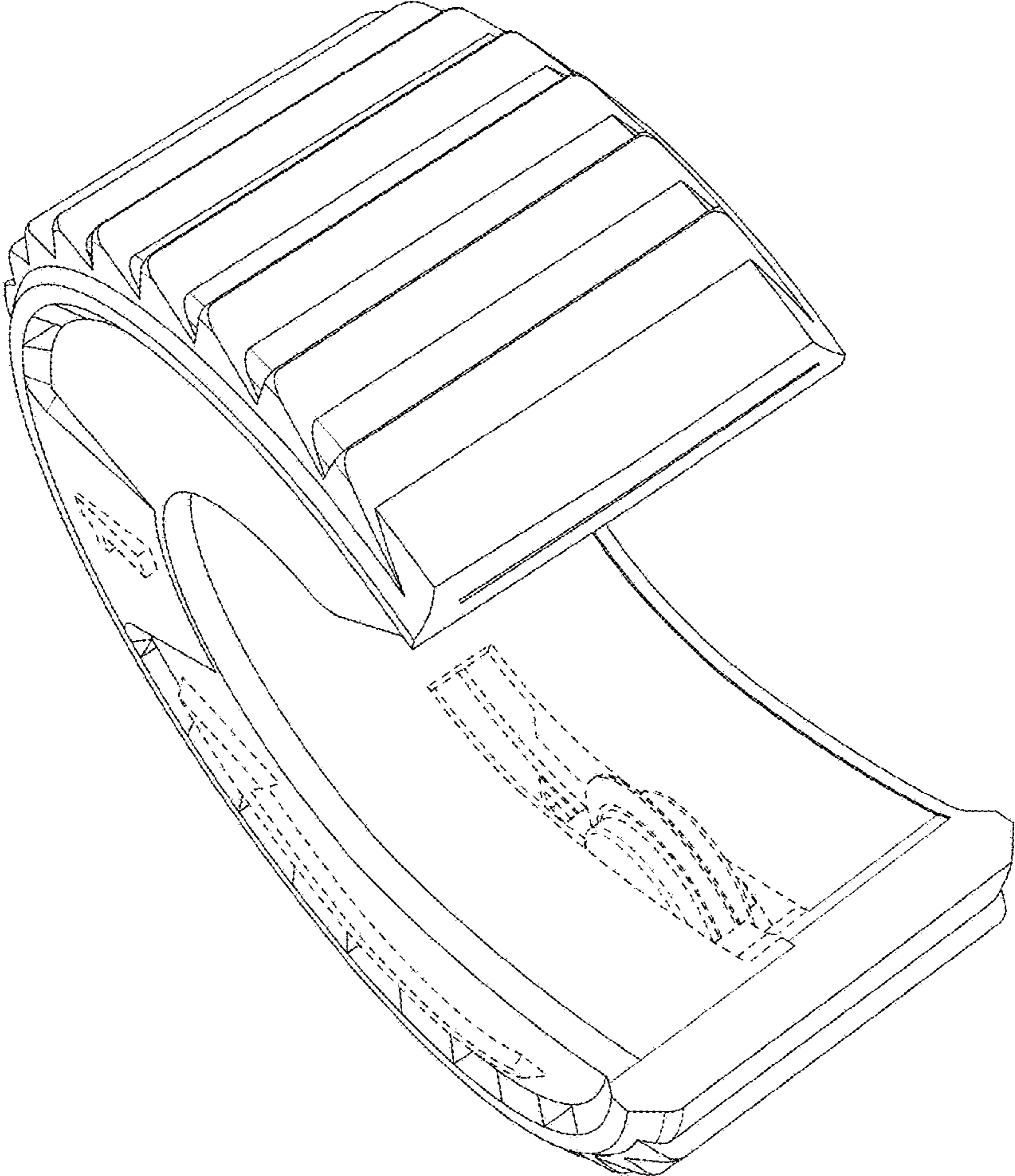


FIG. 8

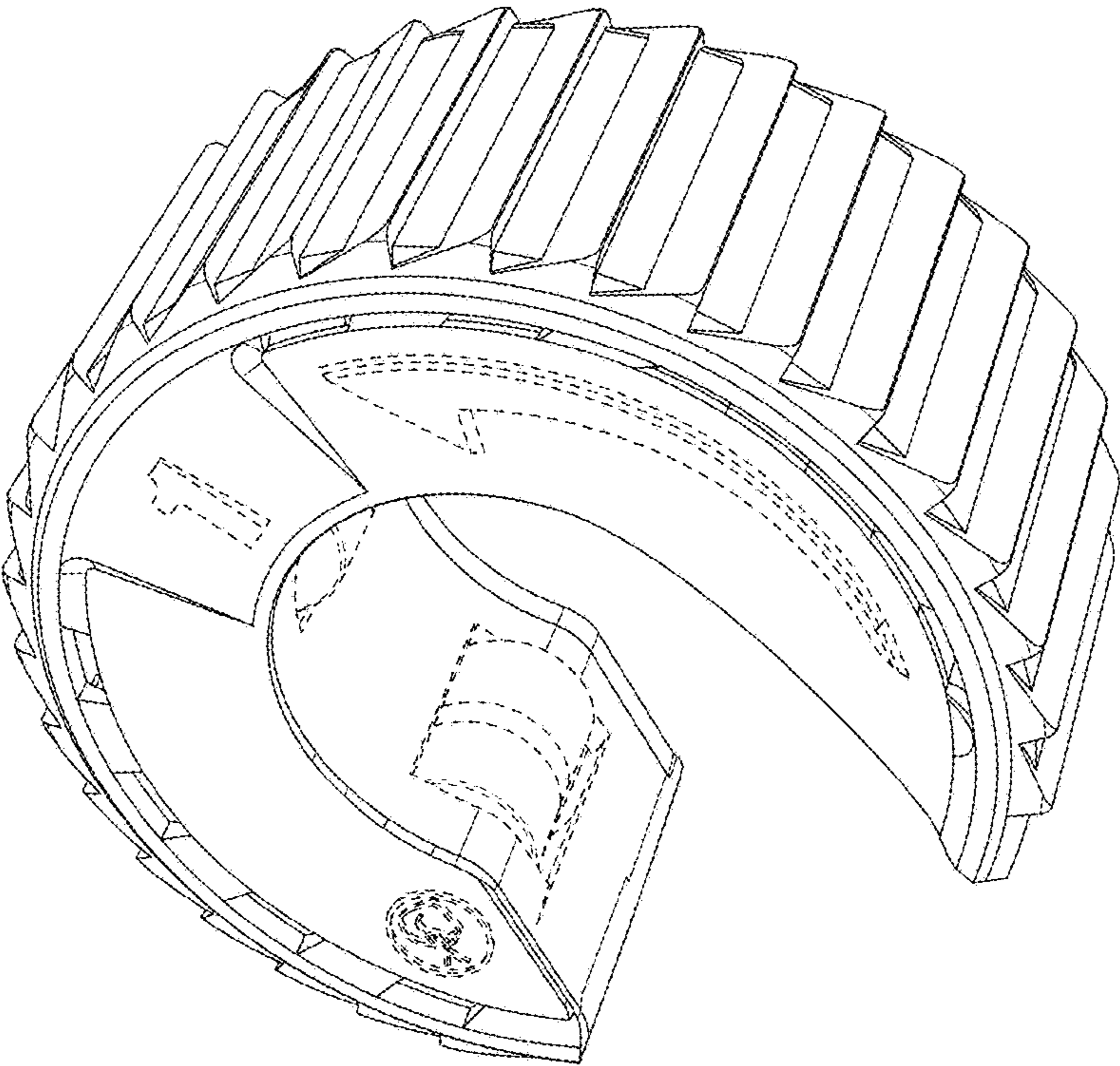


FIG. 9

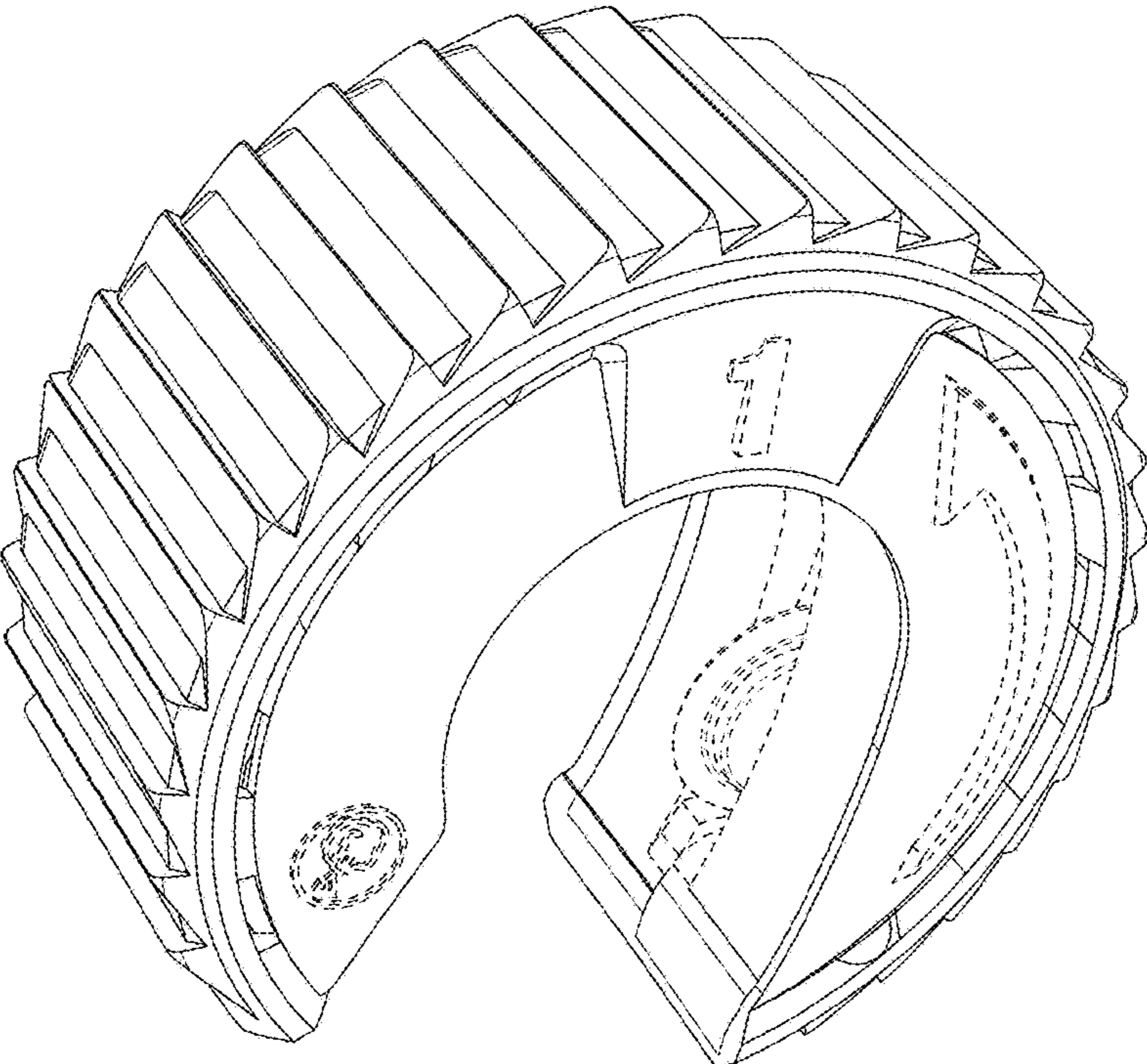


FIG. 10

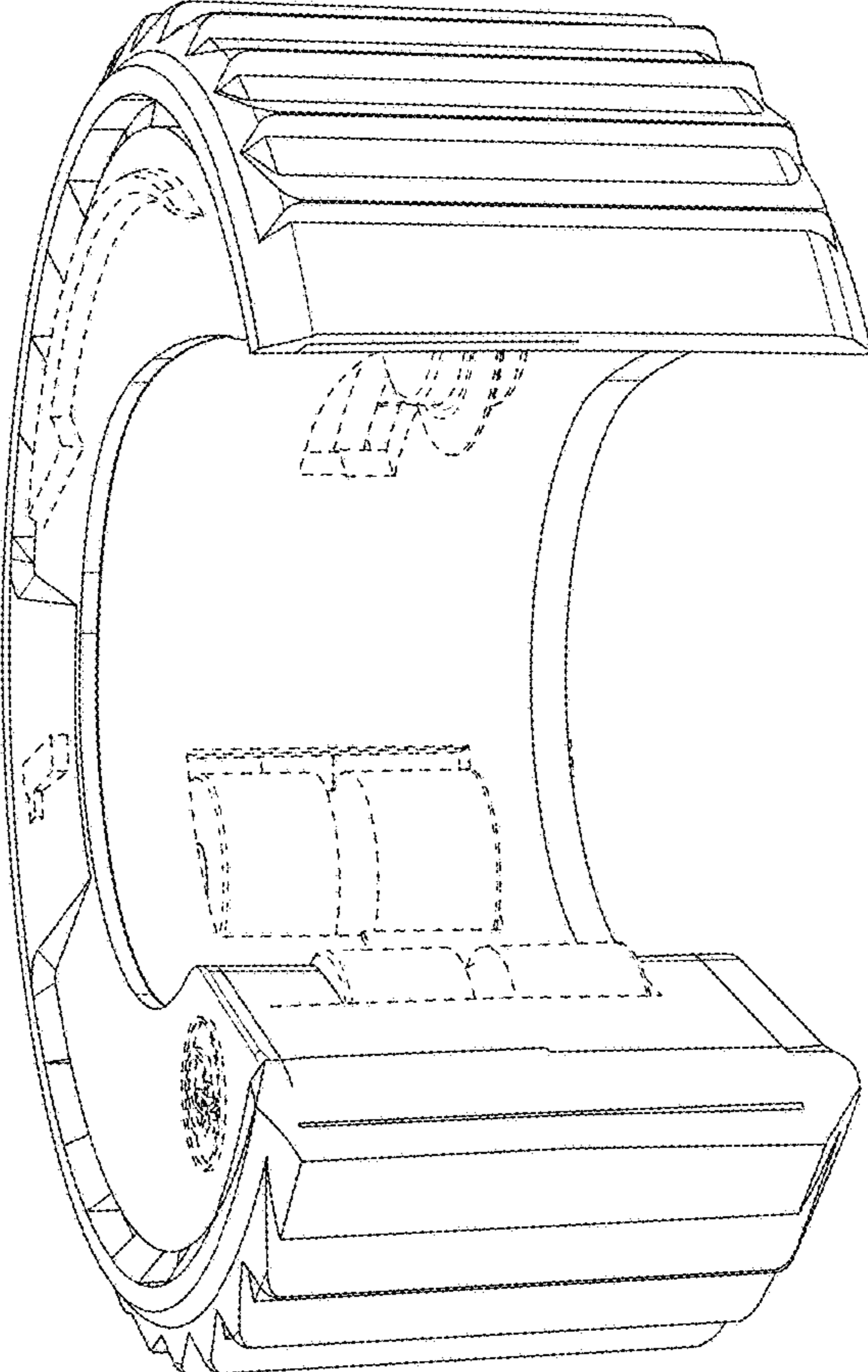


FIG. 11

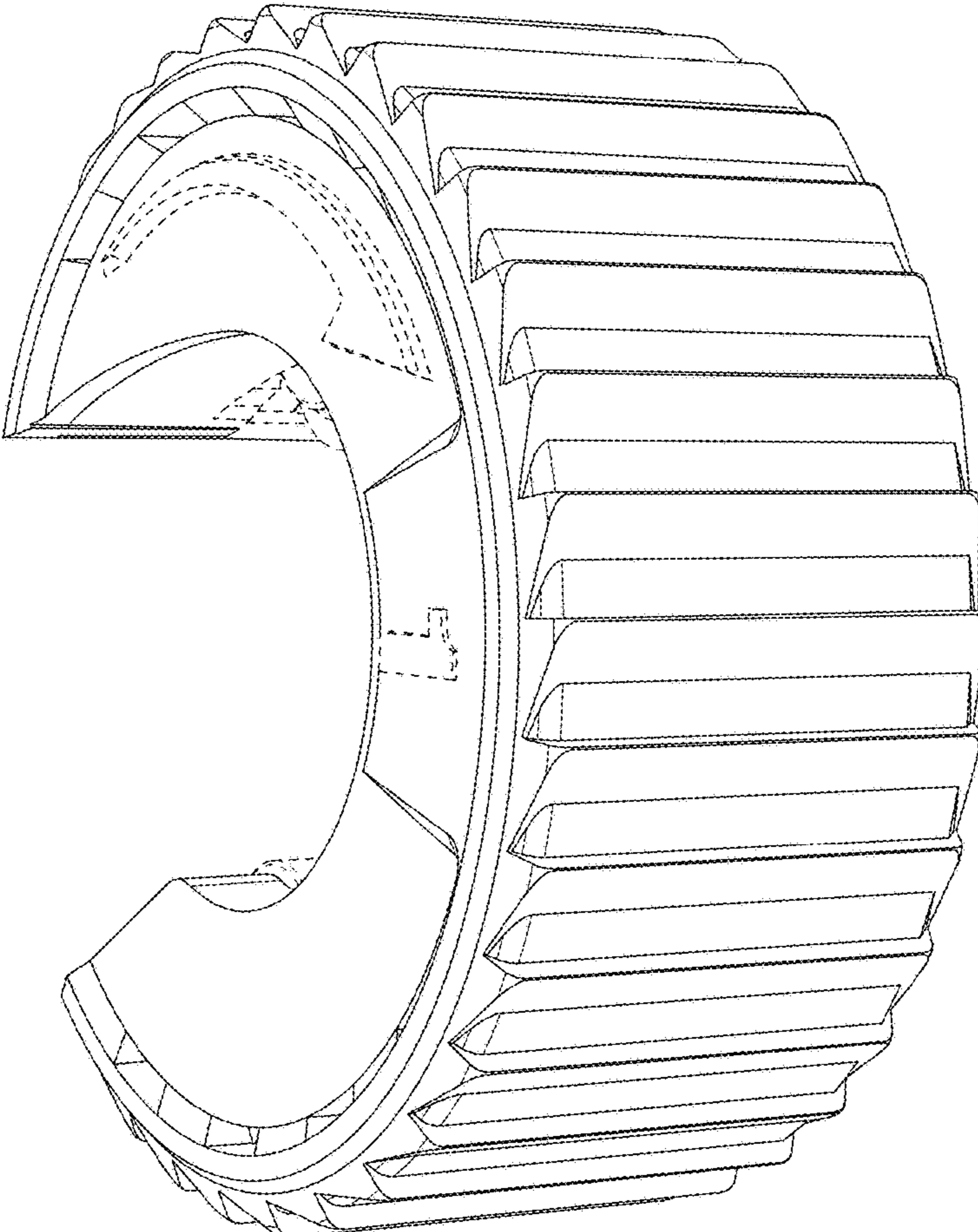


FIG. 12

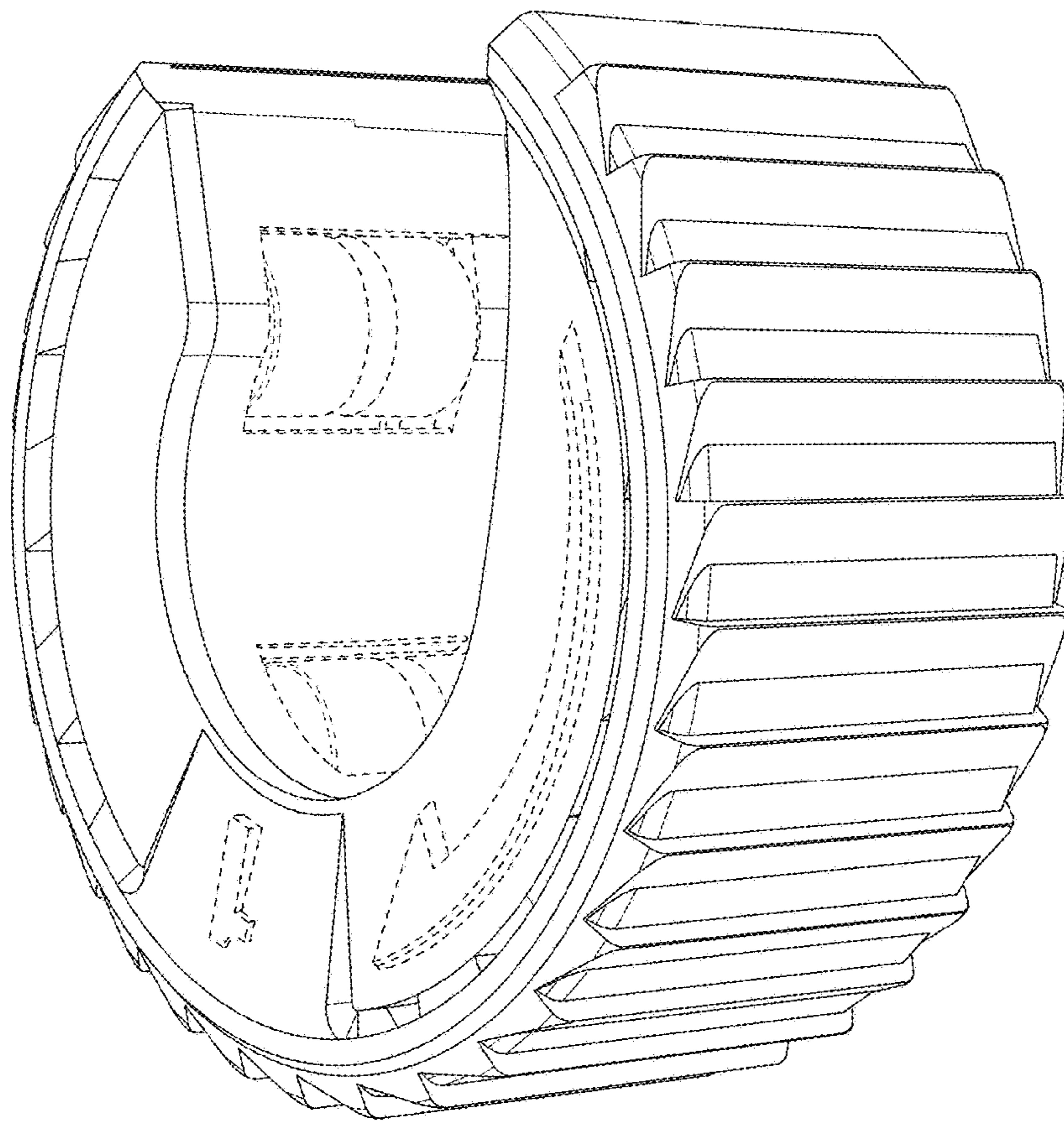


FIG. 13

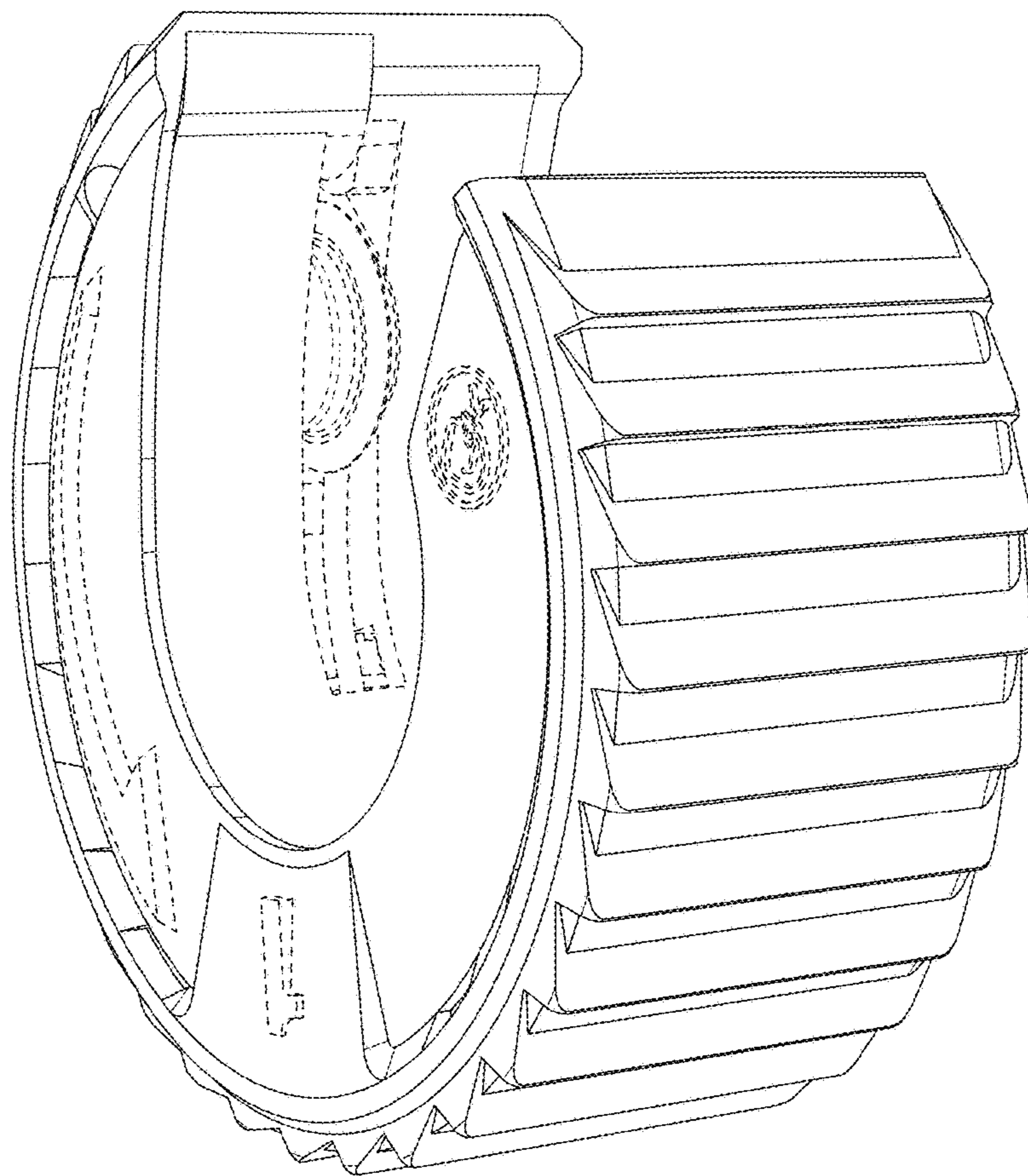


FIG. 14

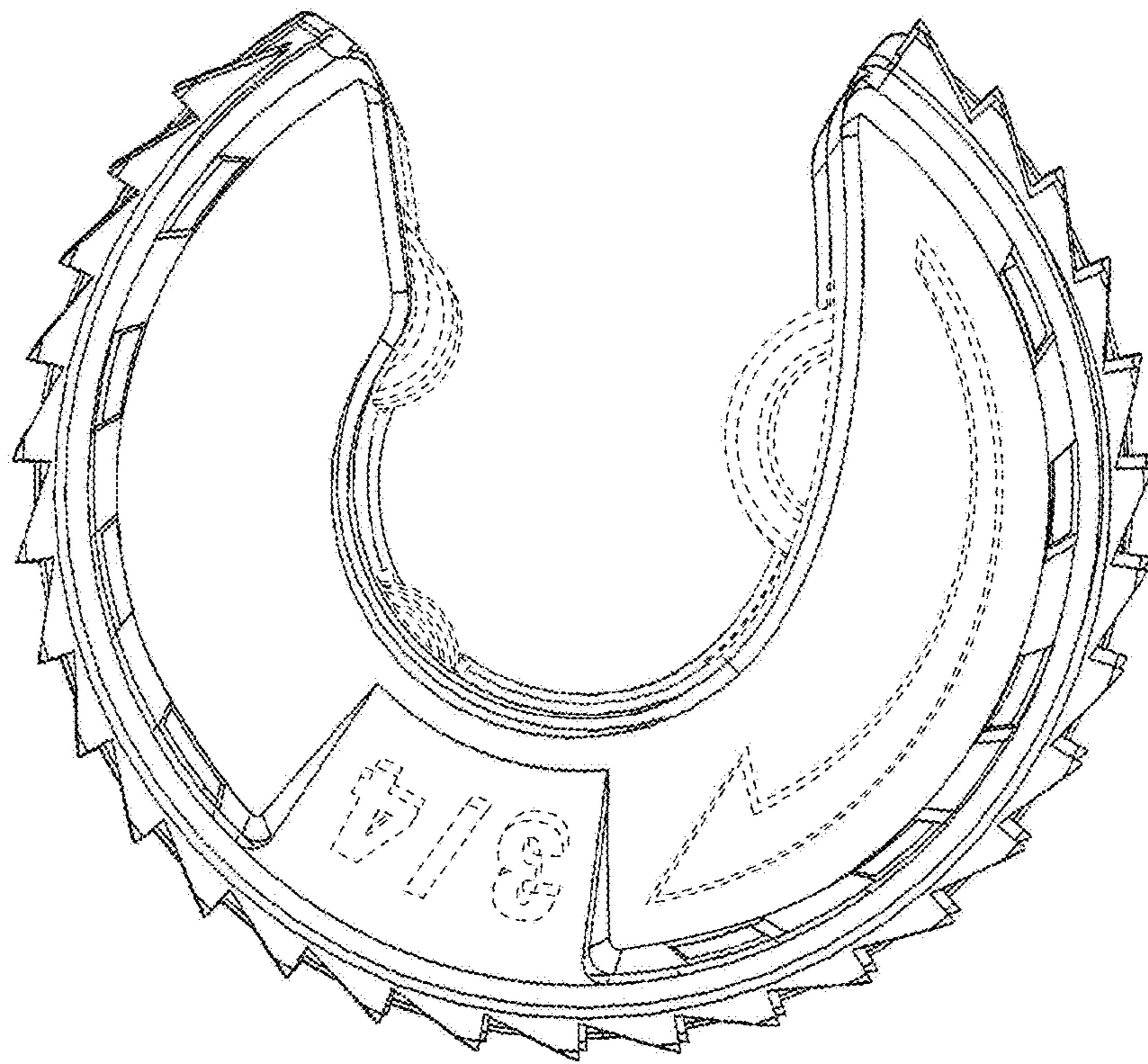


FIG. 15

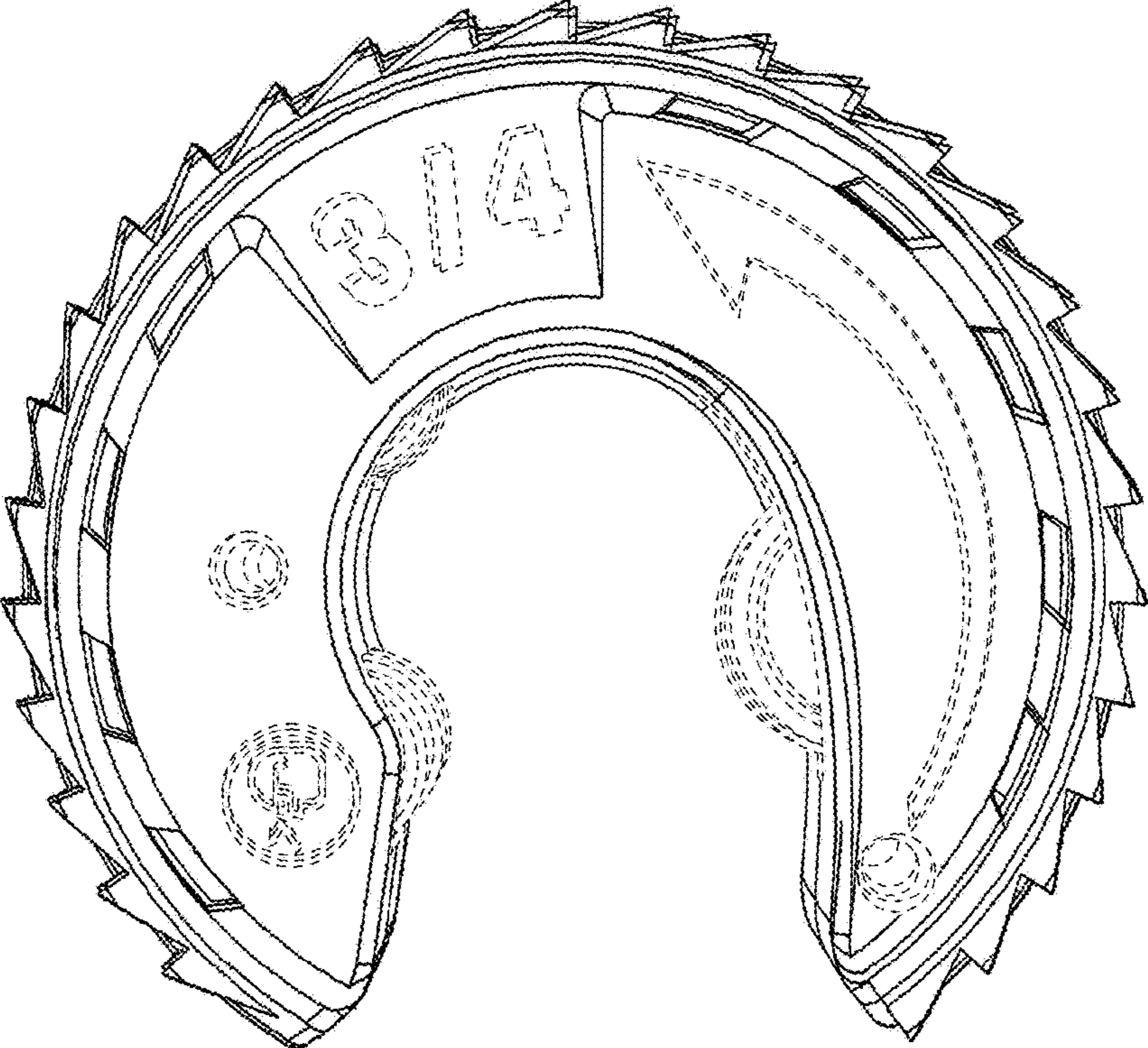


FIG. 16

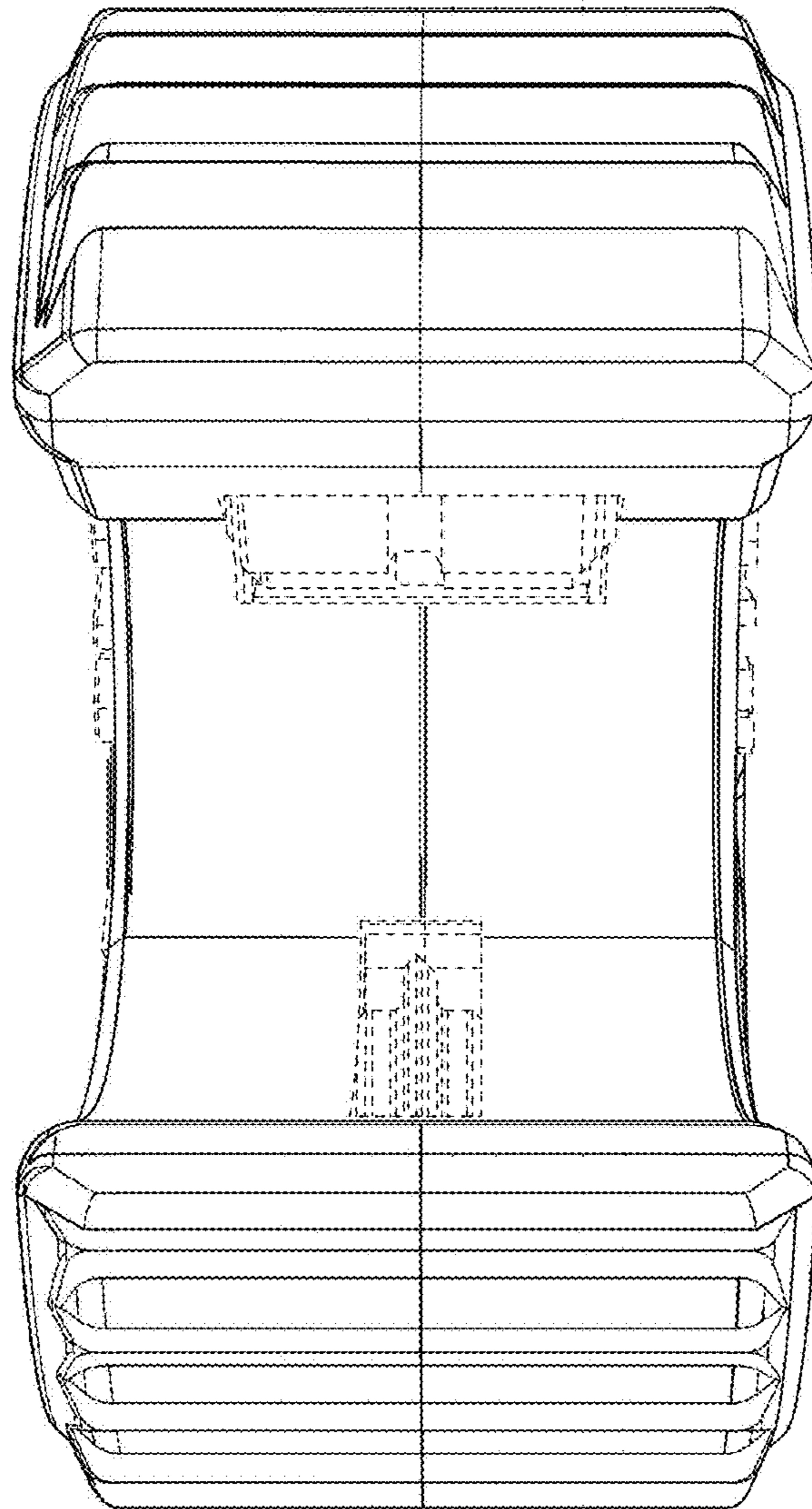


FIG. 17

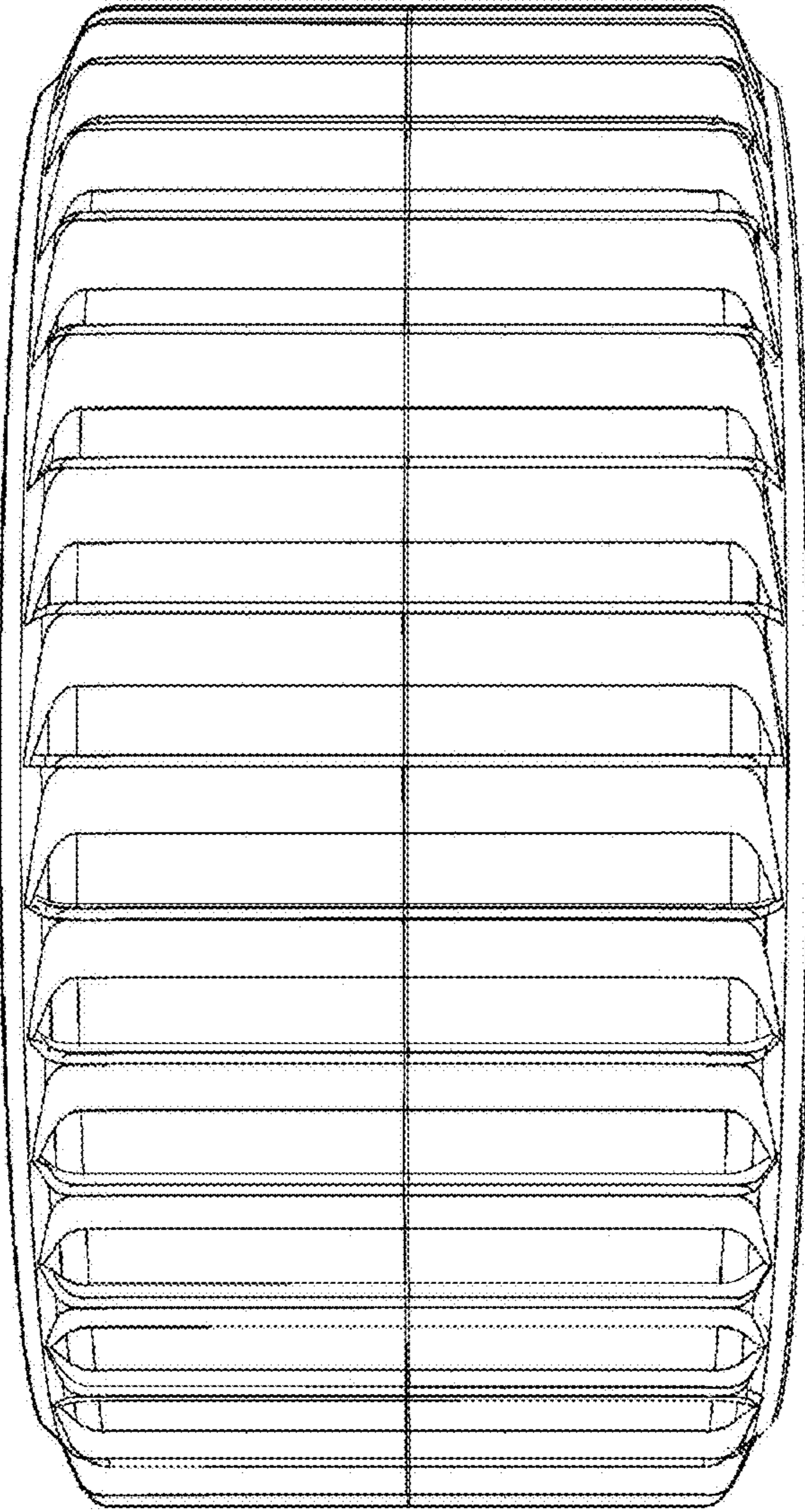


FIG. 18

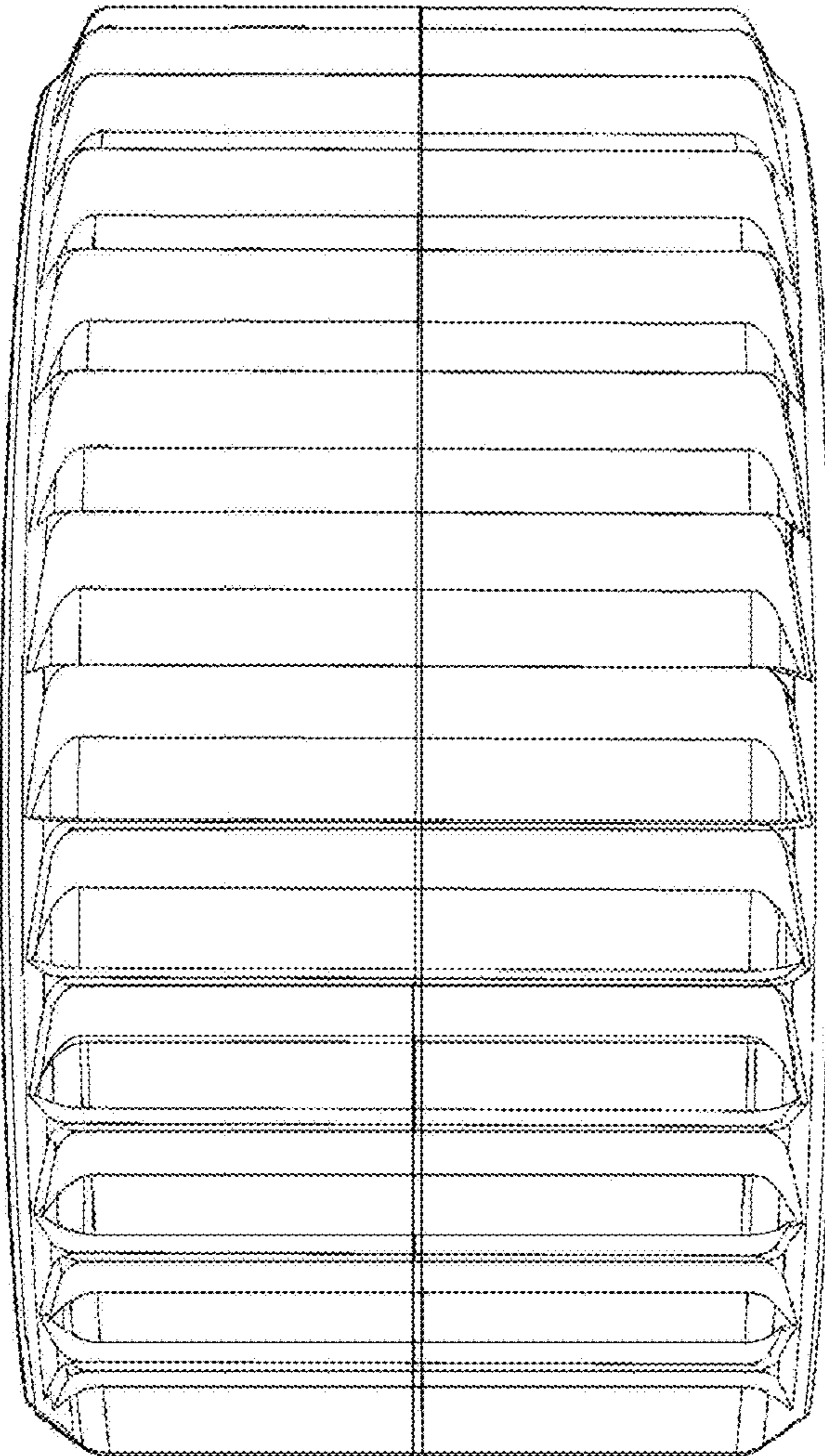


FIG. 19

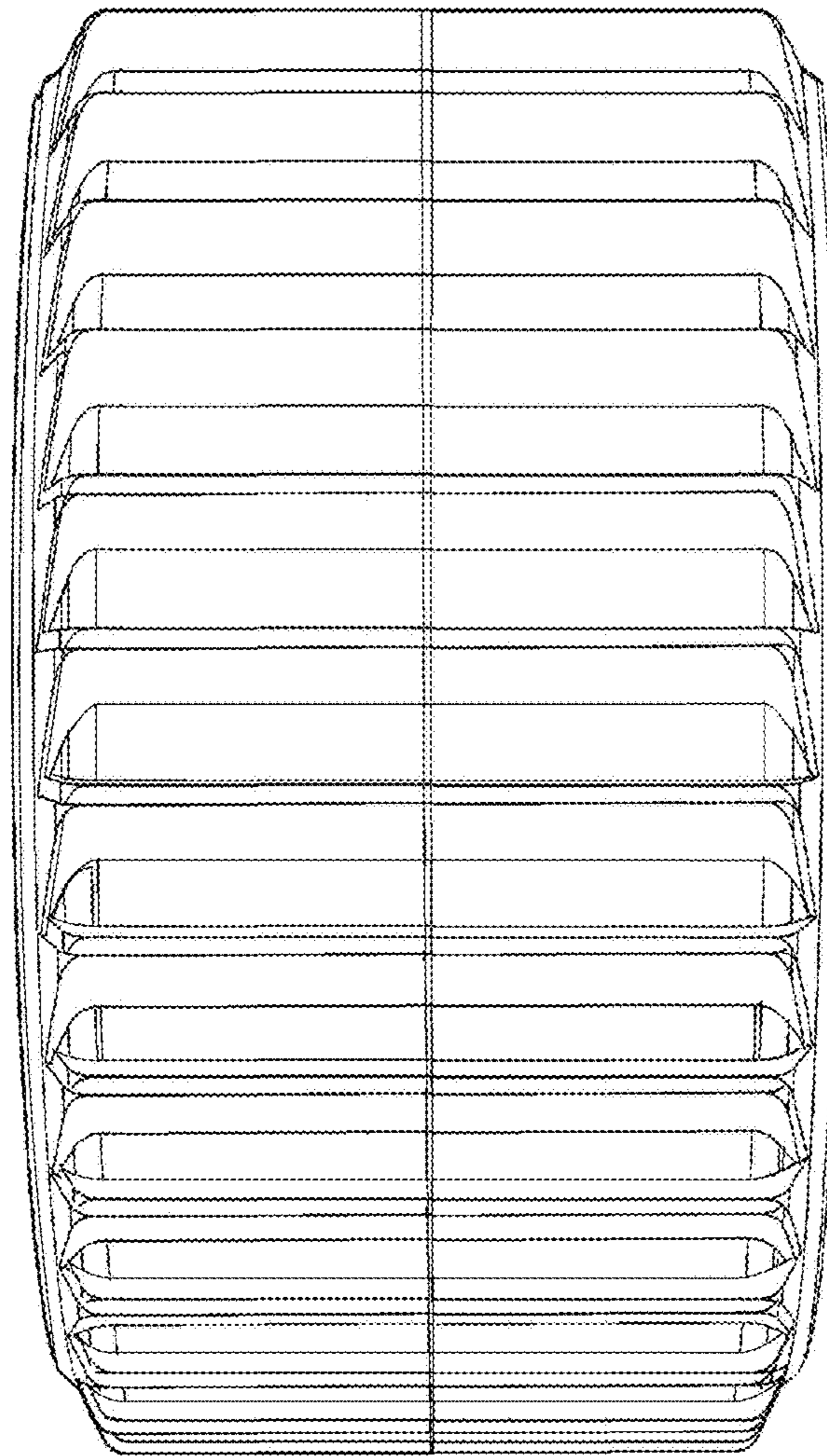


FIG. 20

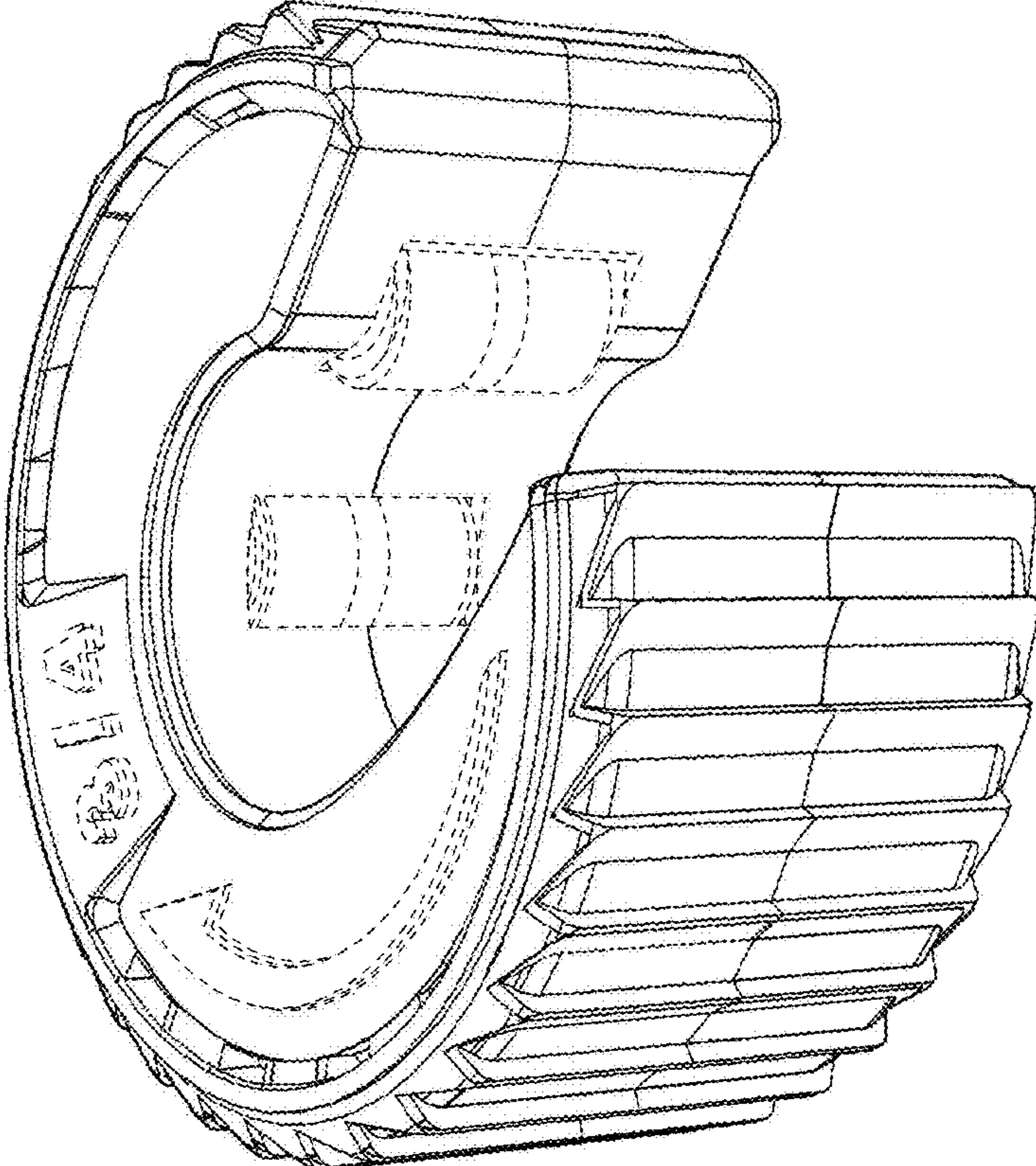


FIG. 21

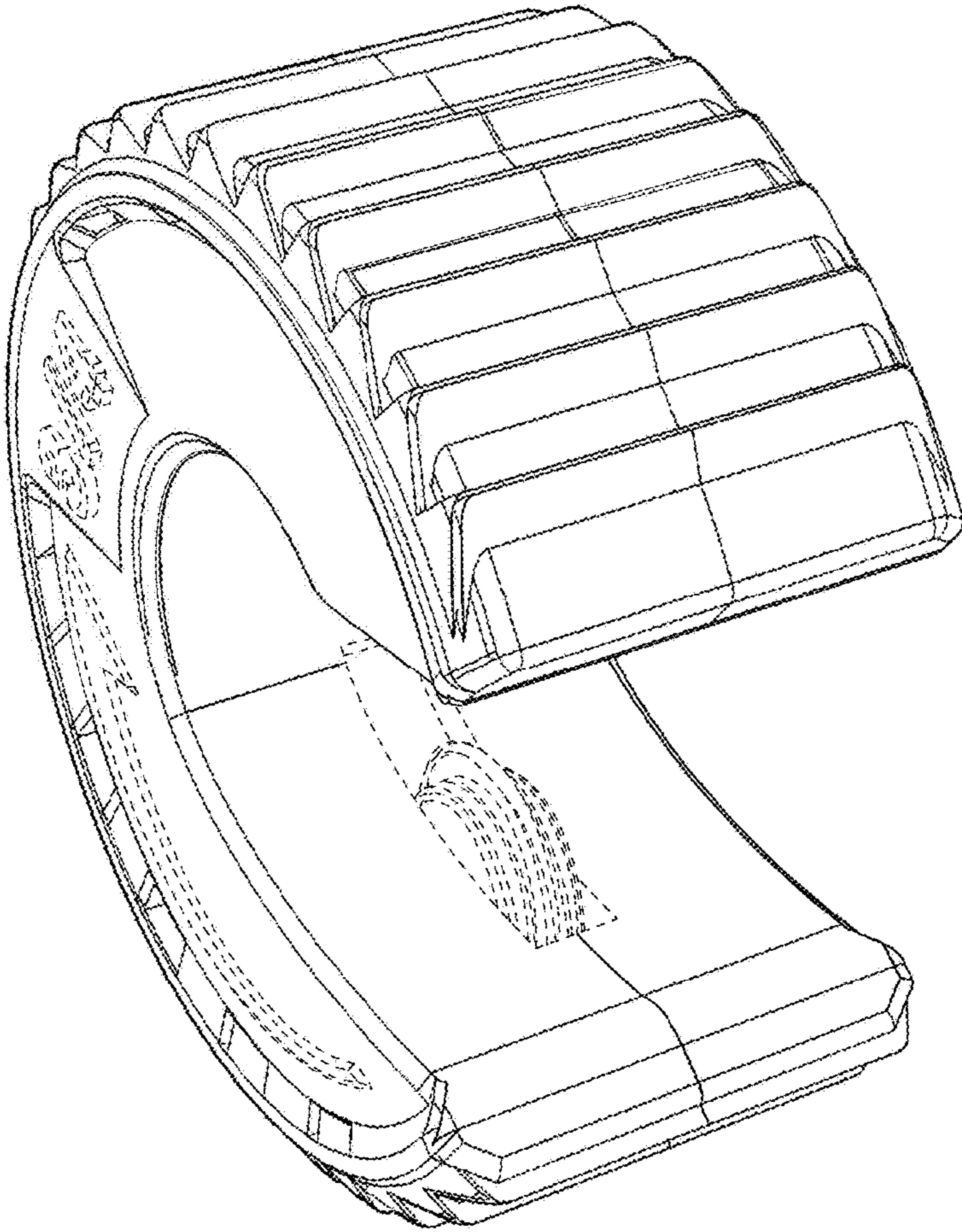


FIG. 22



FIG. 23

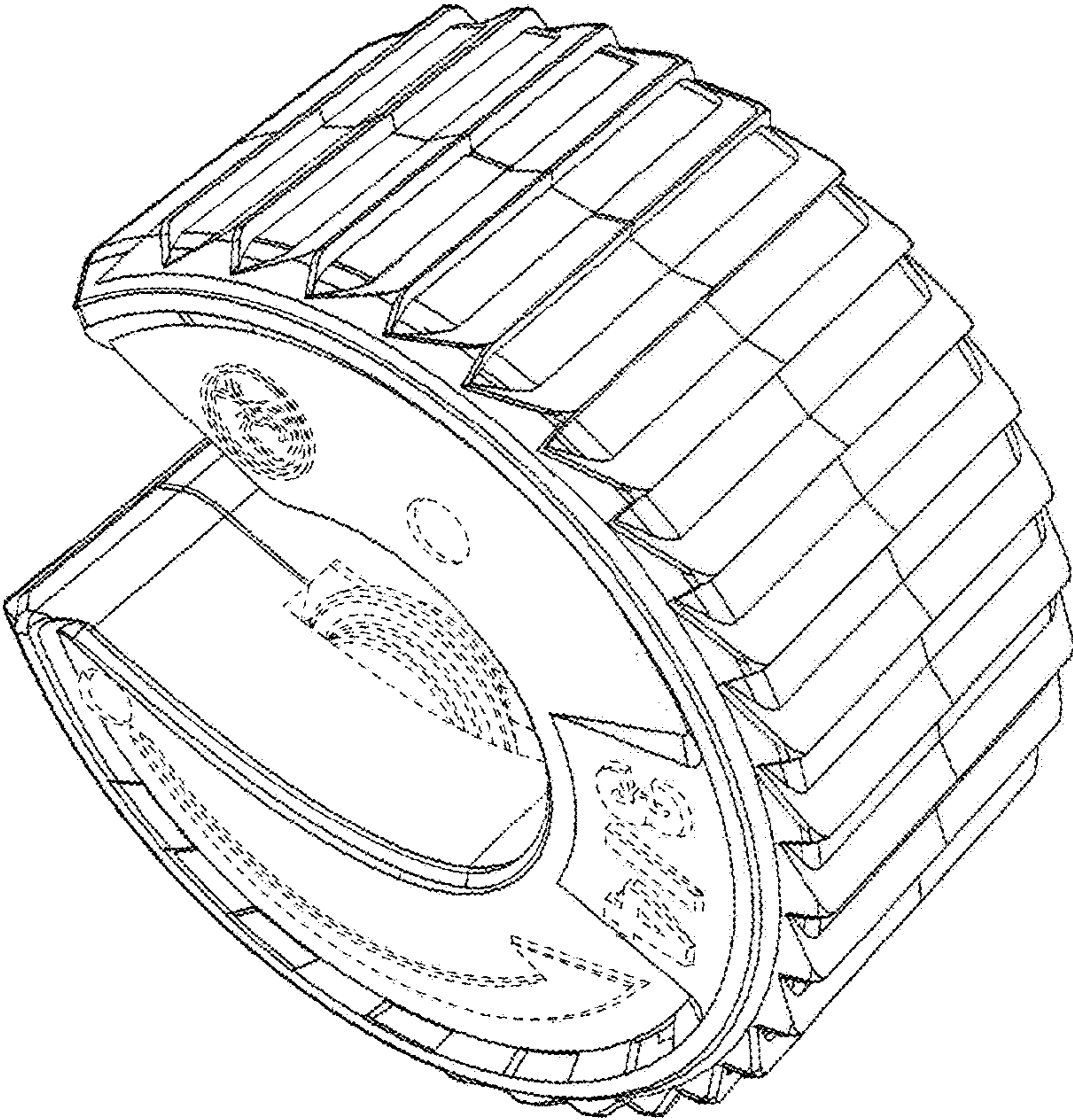


FIG. 24

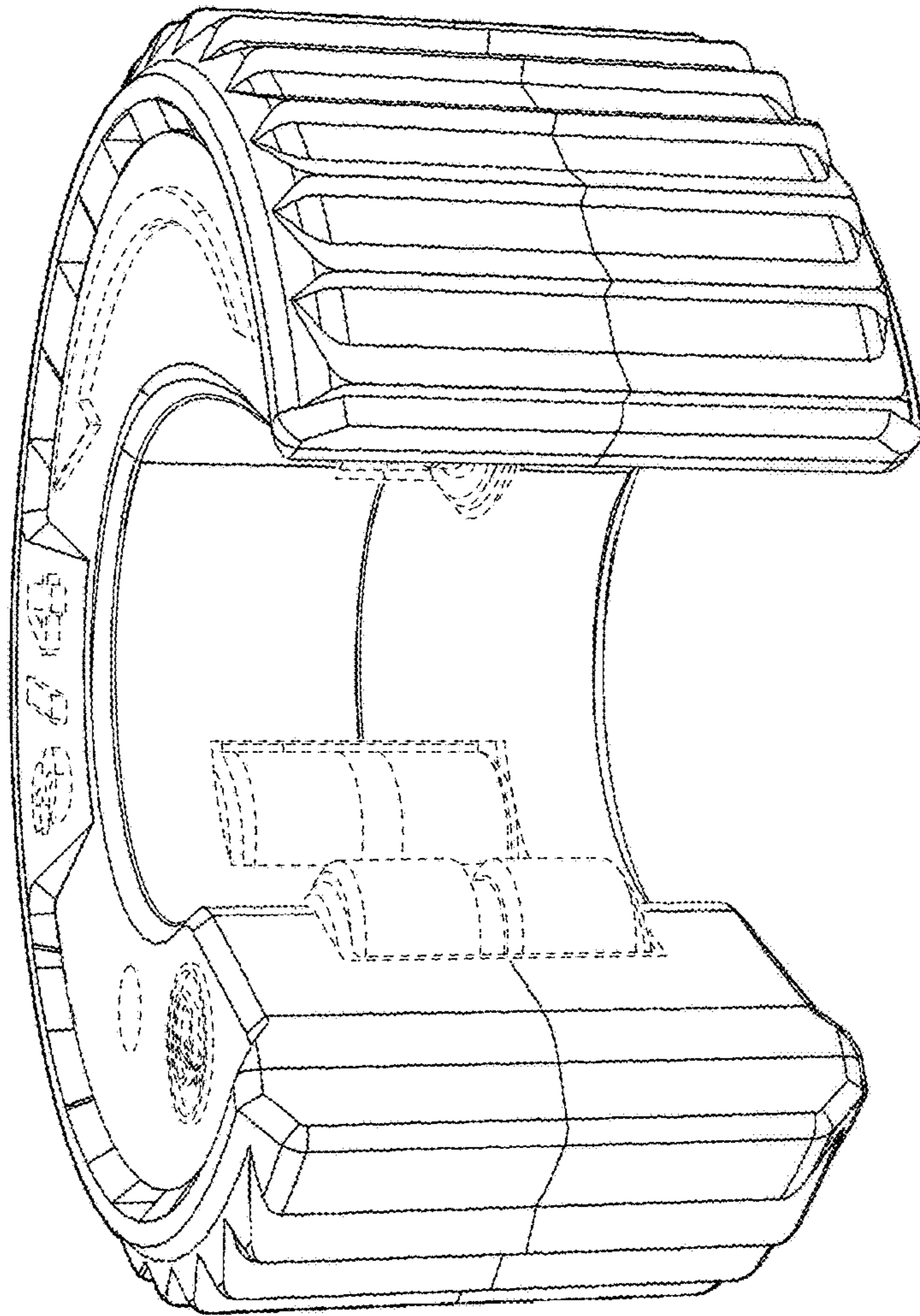


FIG. 25

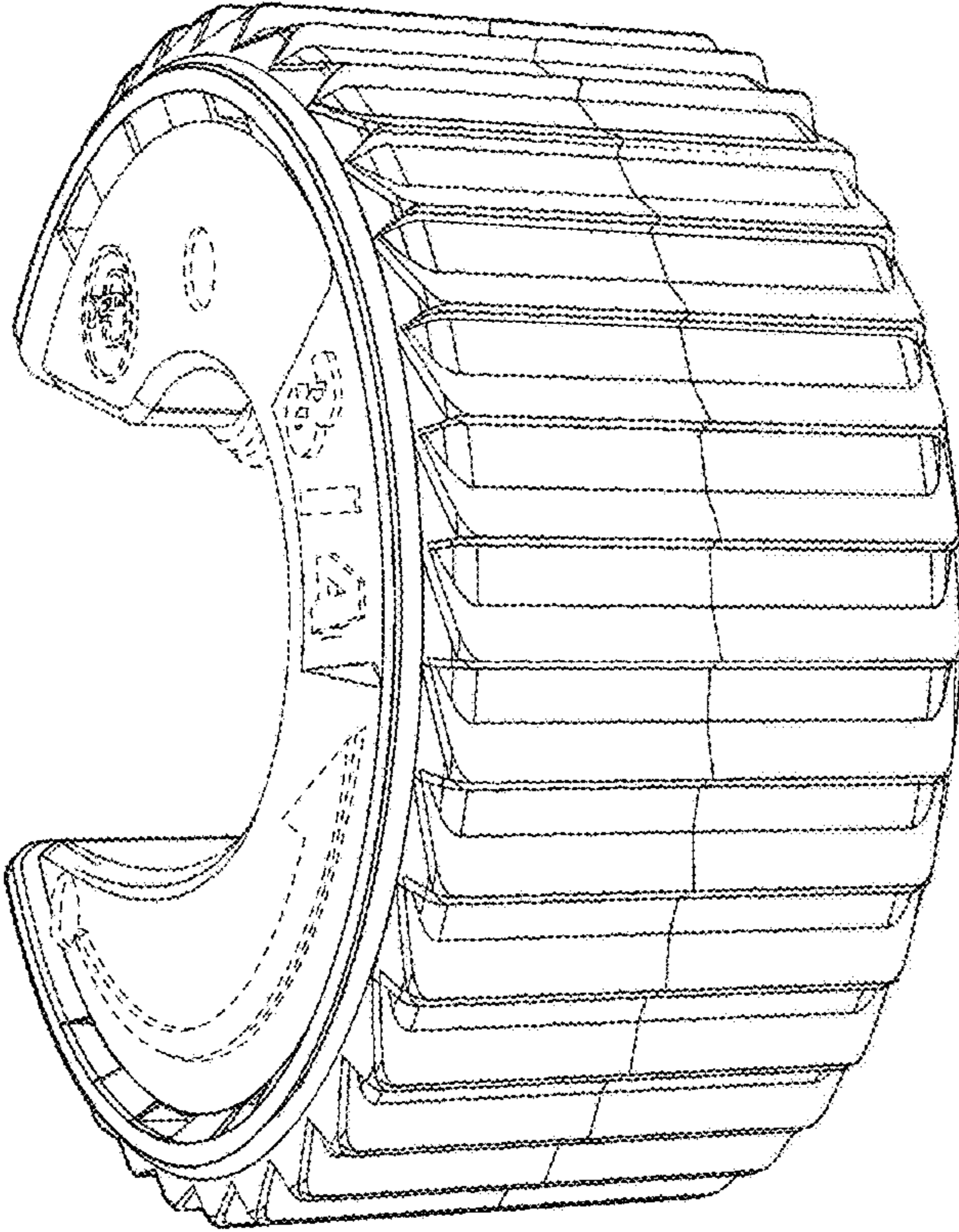


FIG. 26

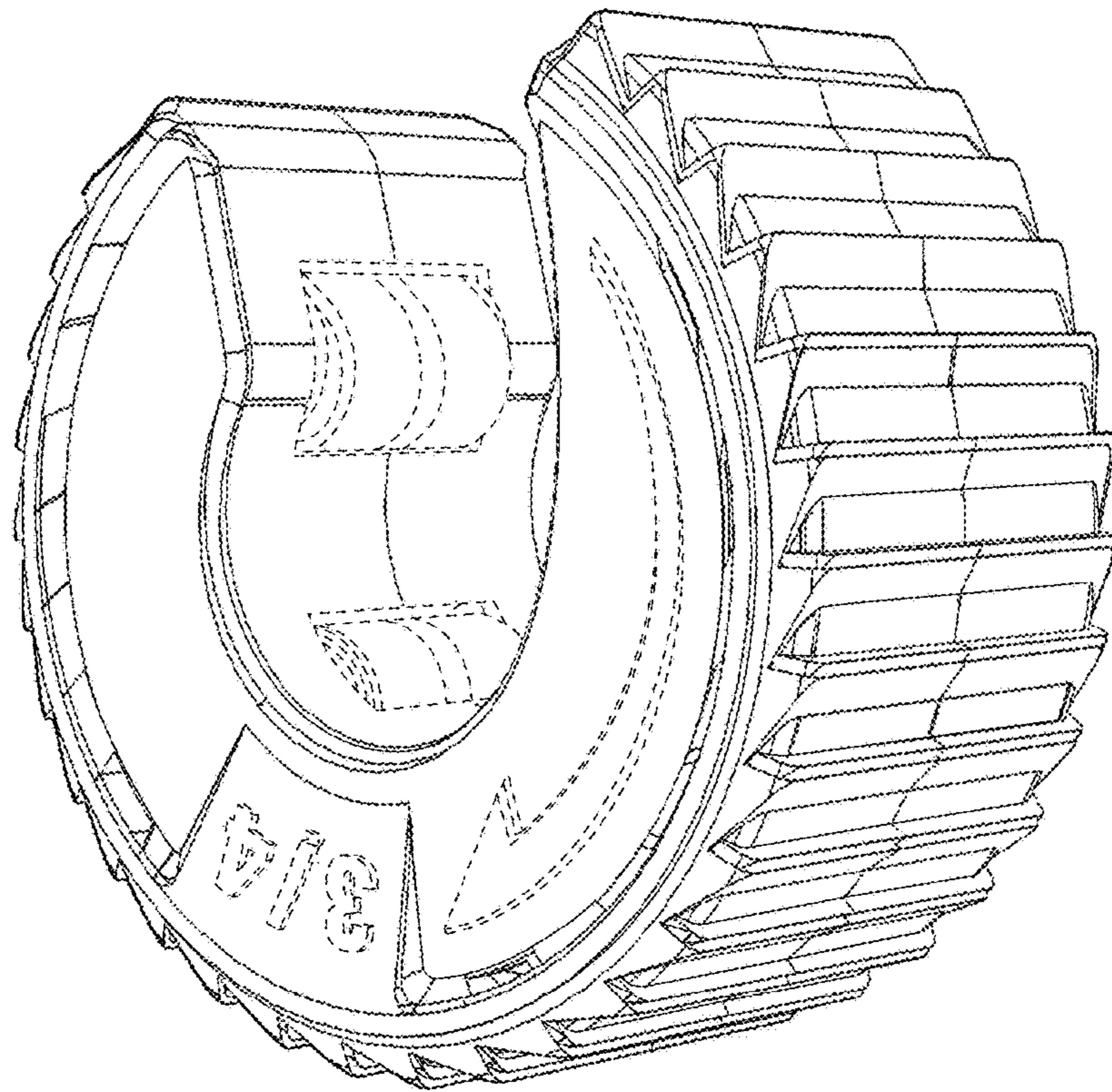


FIG. 27

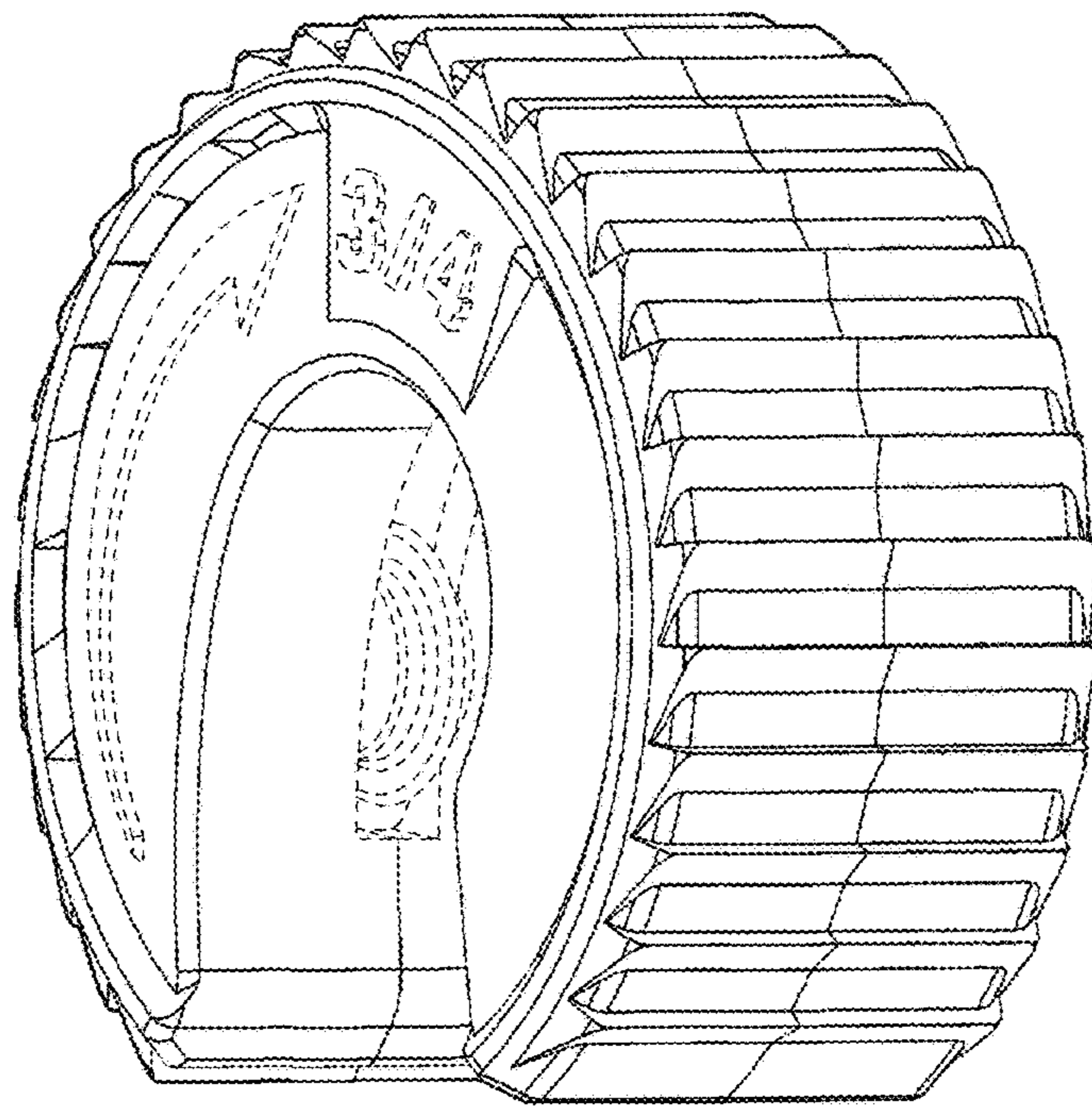


FIG. 28

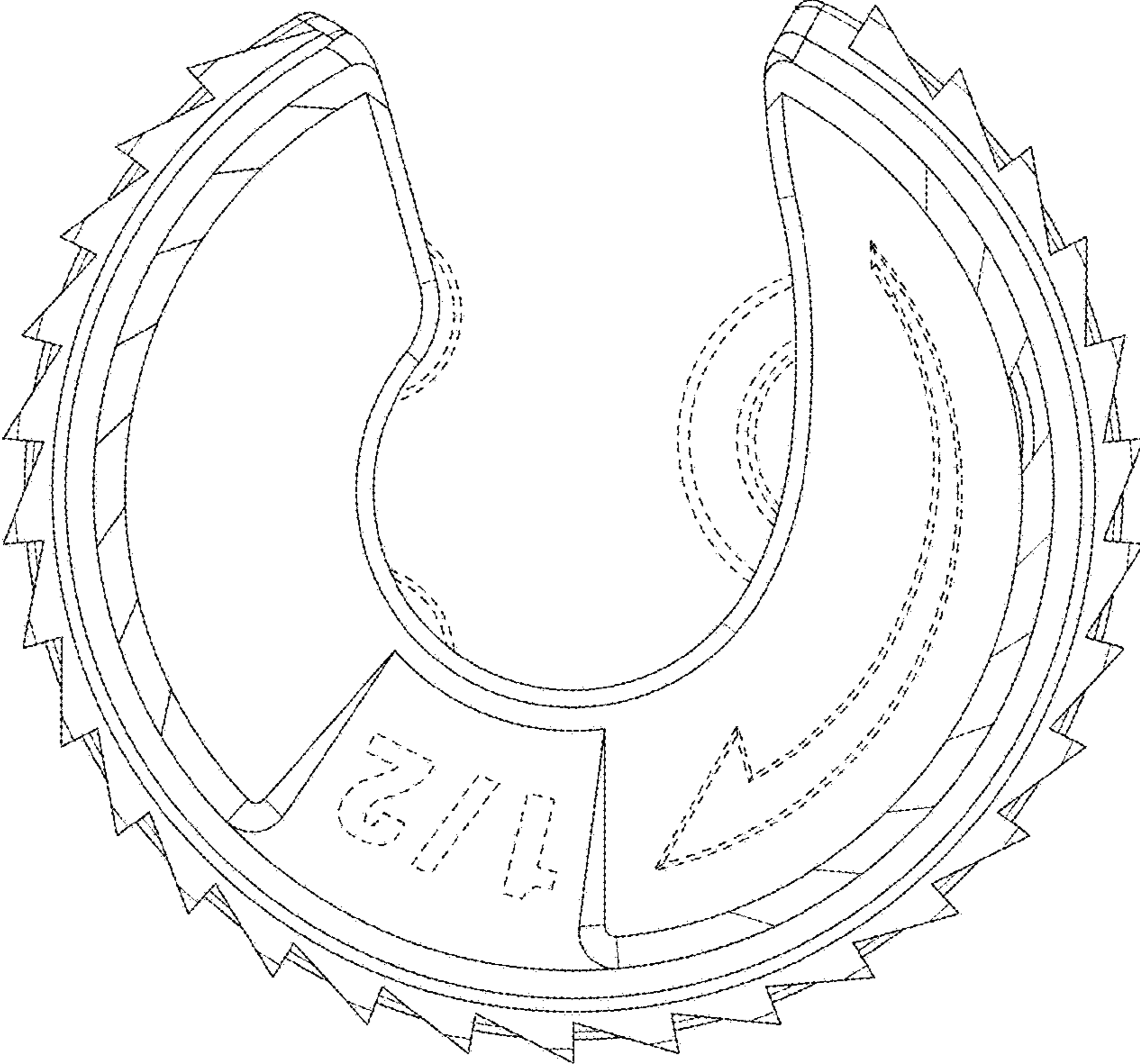


FIG. 29

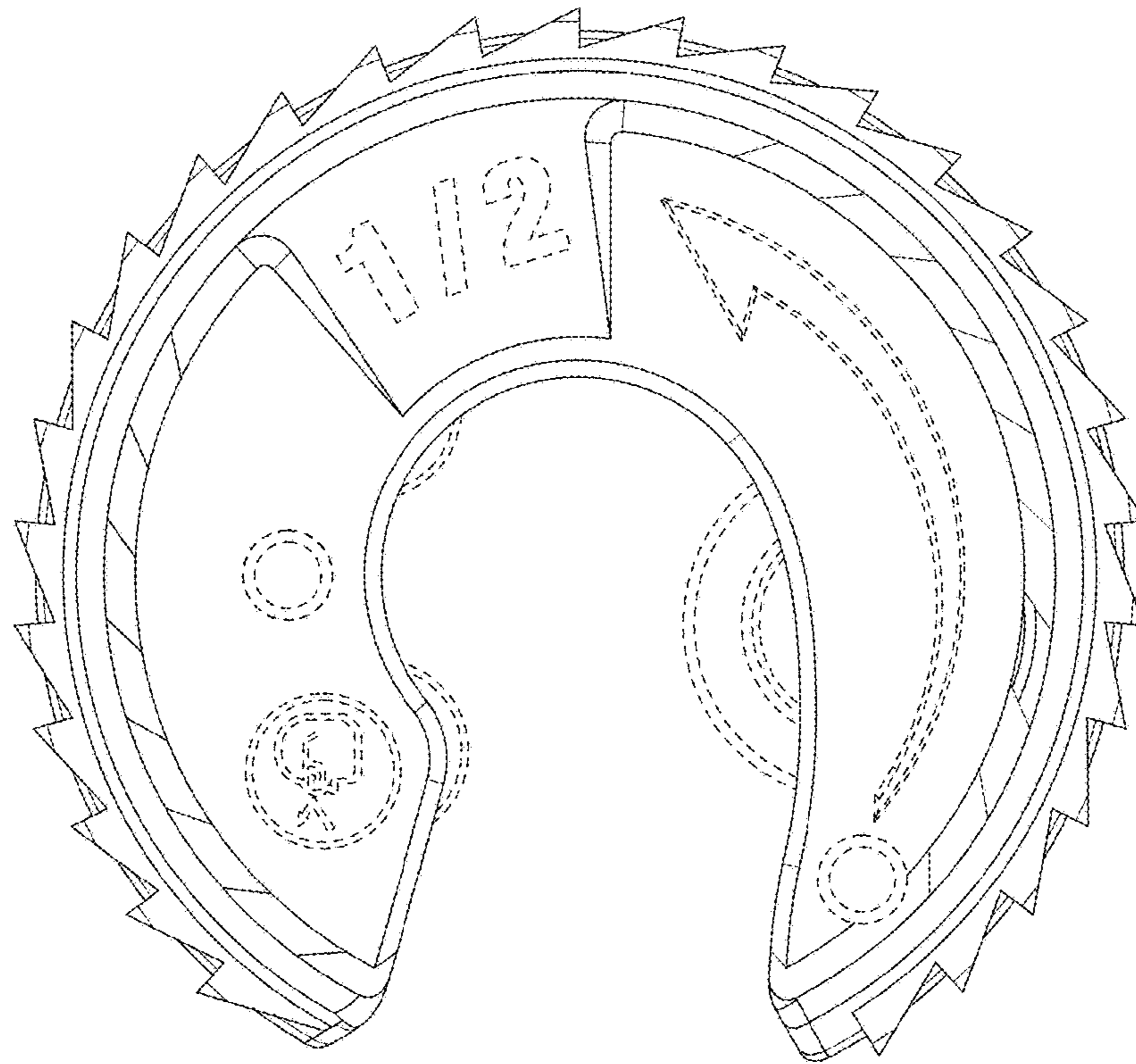


FIG. 30

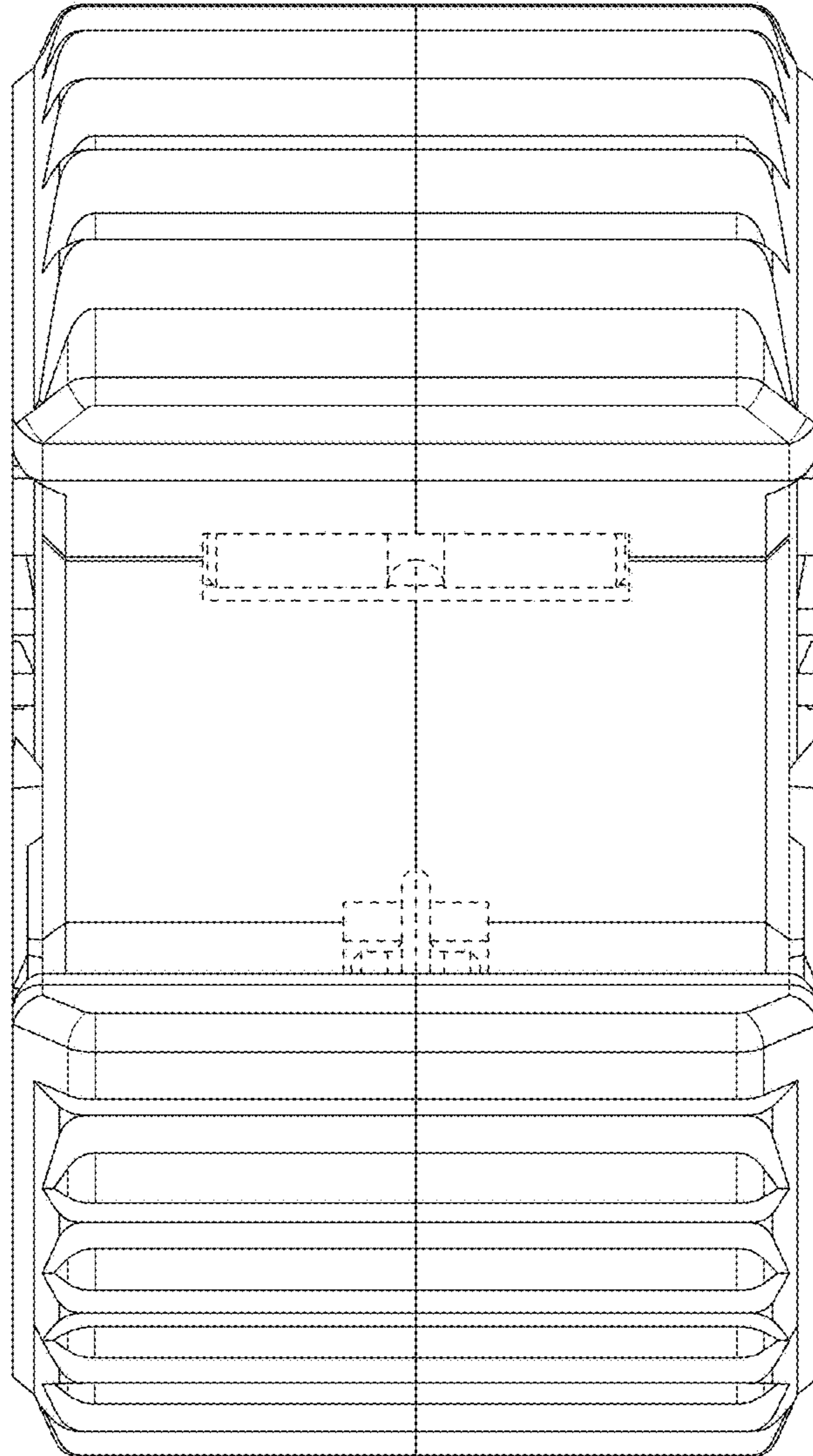


FIG. 31

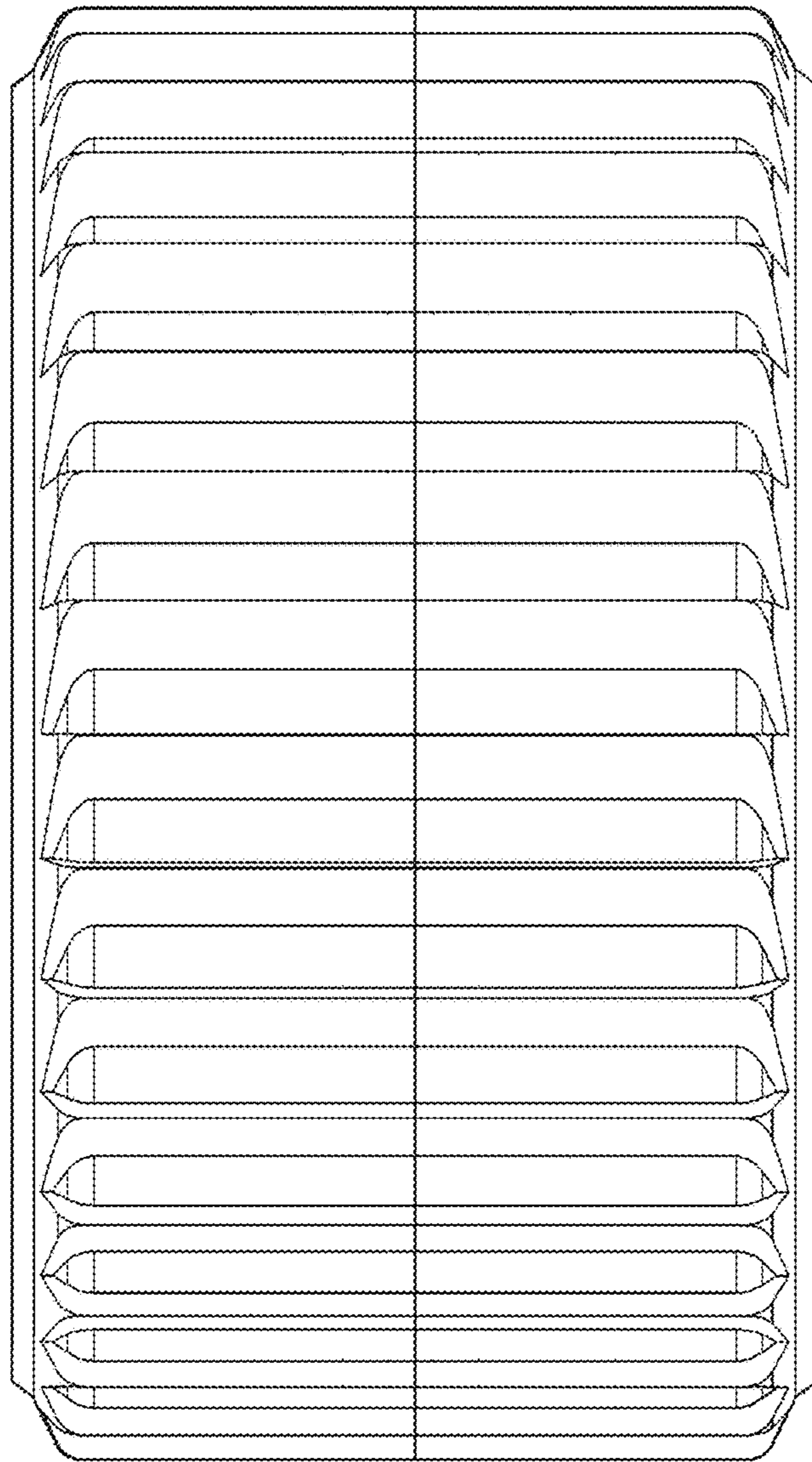


FIG. 32

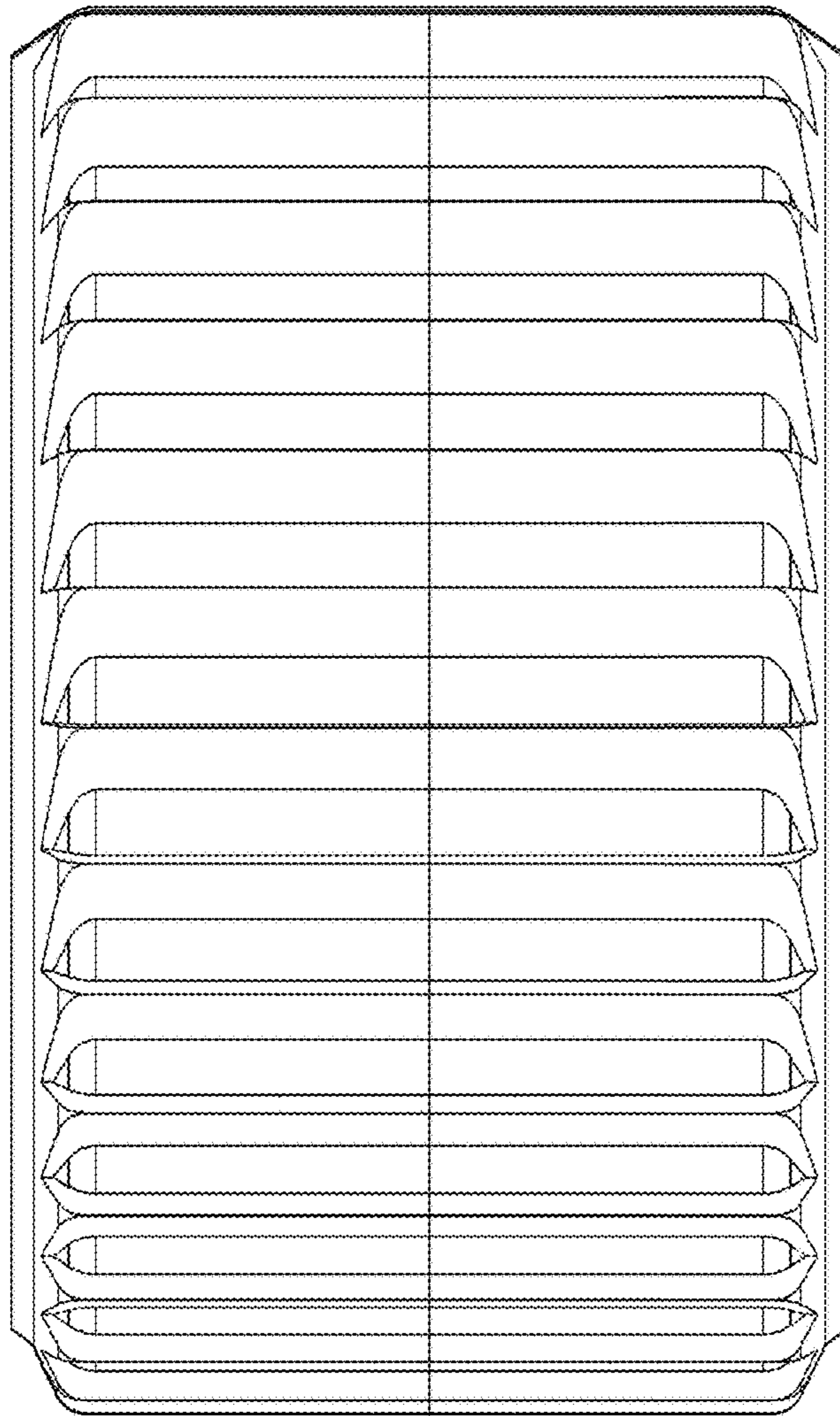


FIG. 33

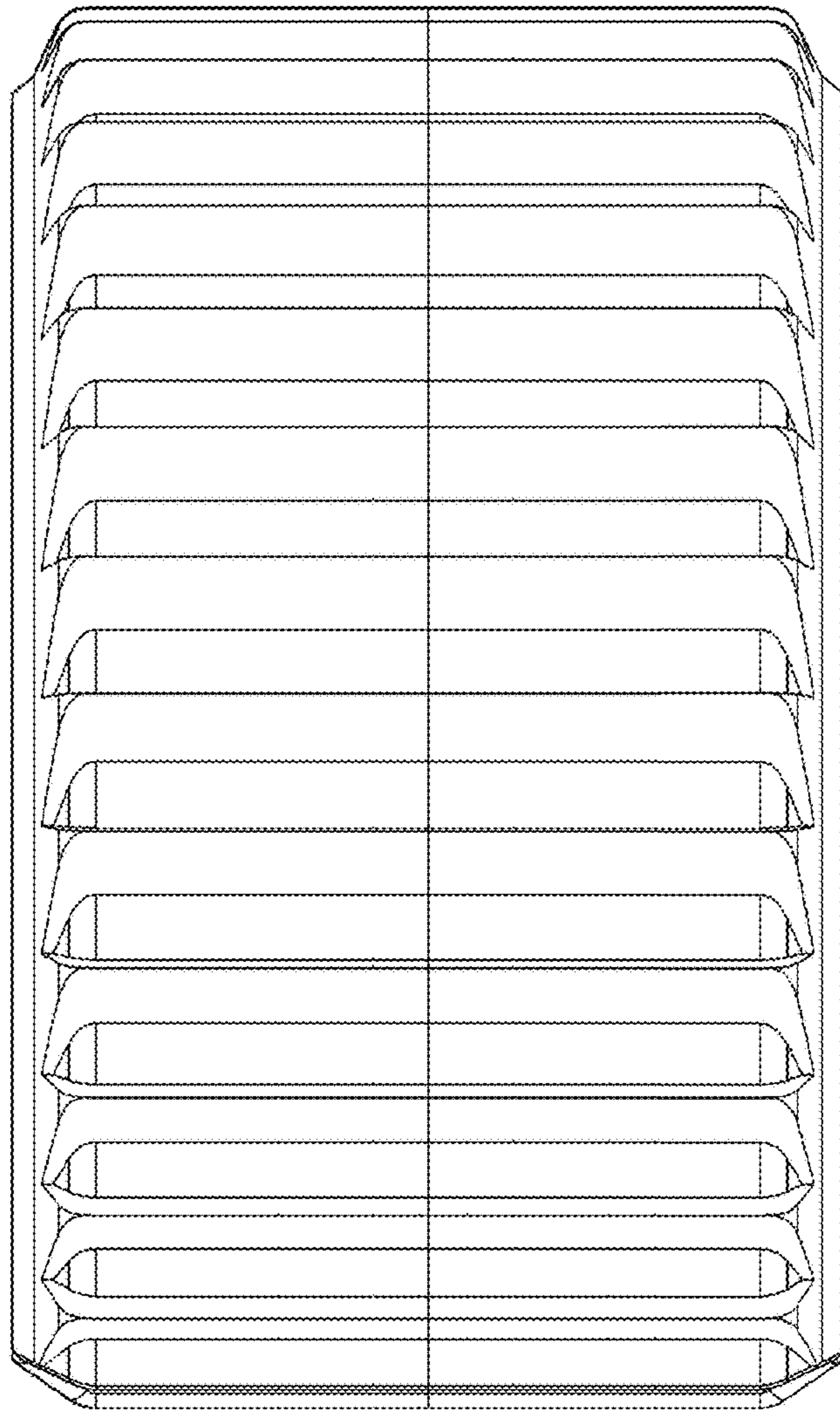


FIG. 34

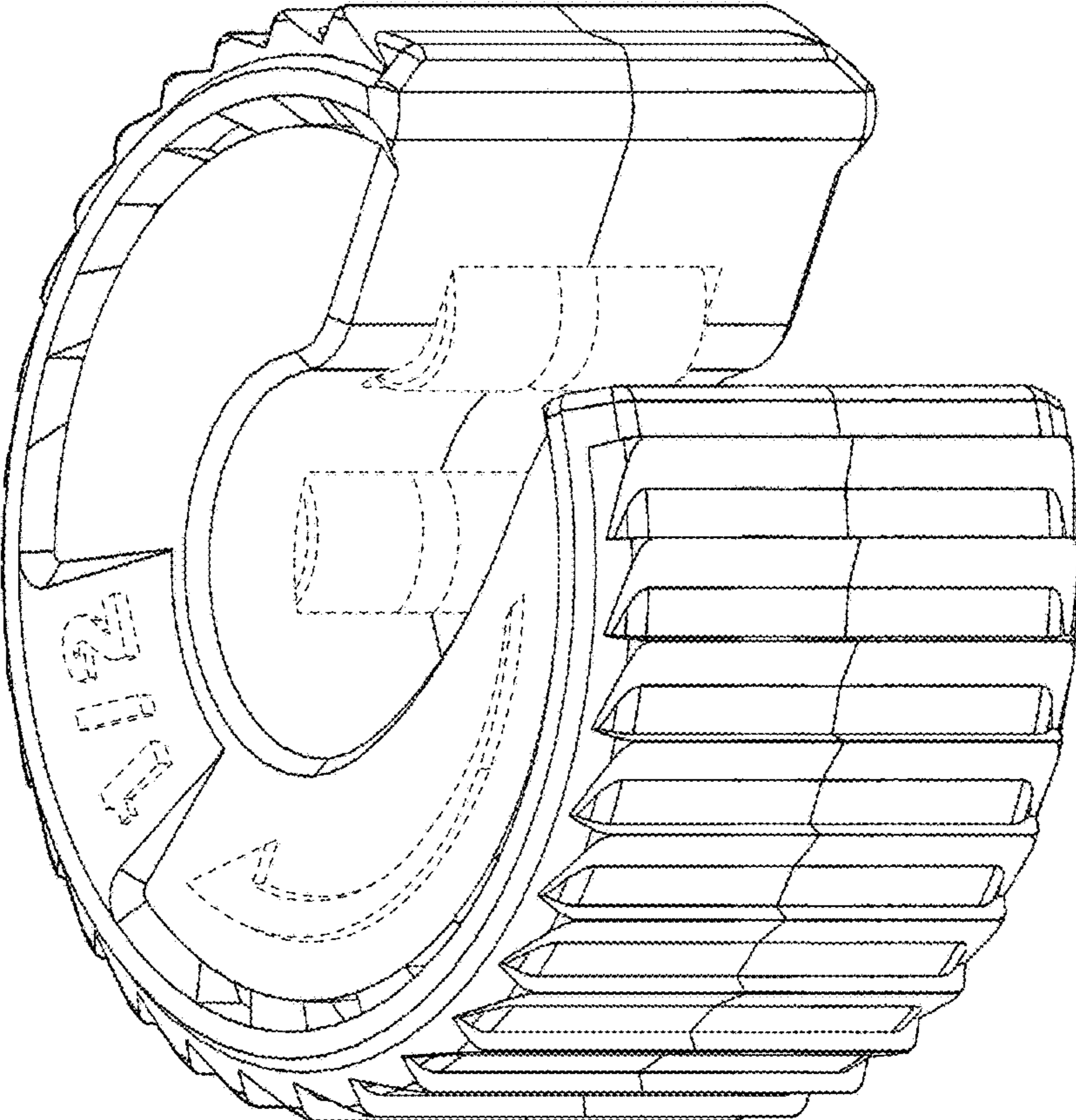


FIG. 35

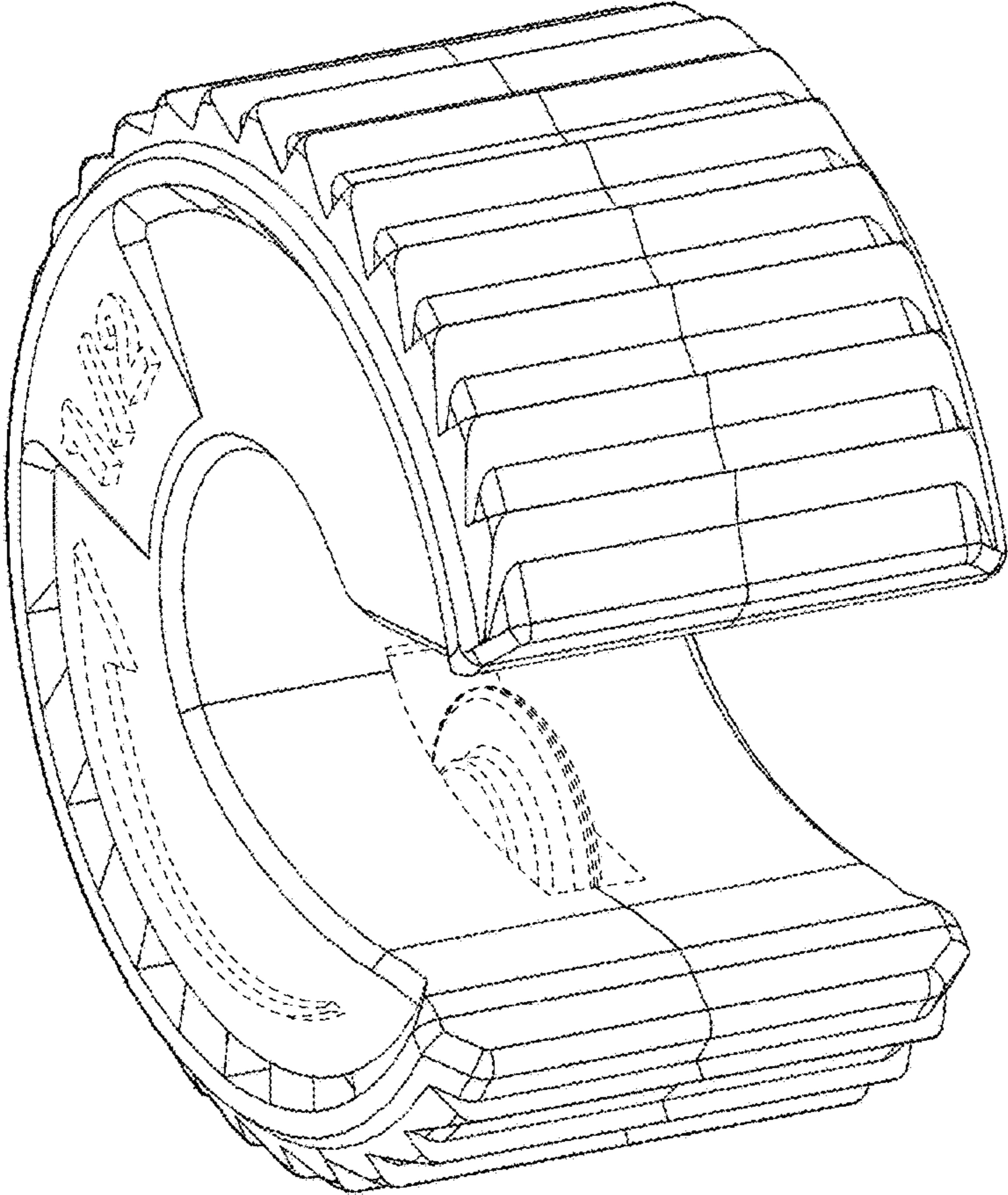


FIG. 36

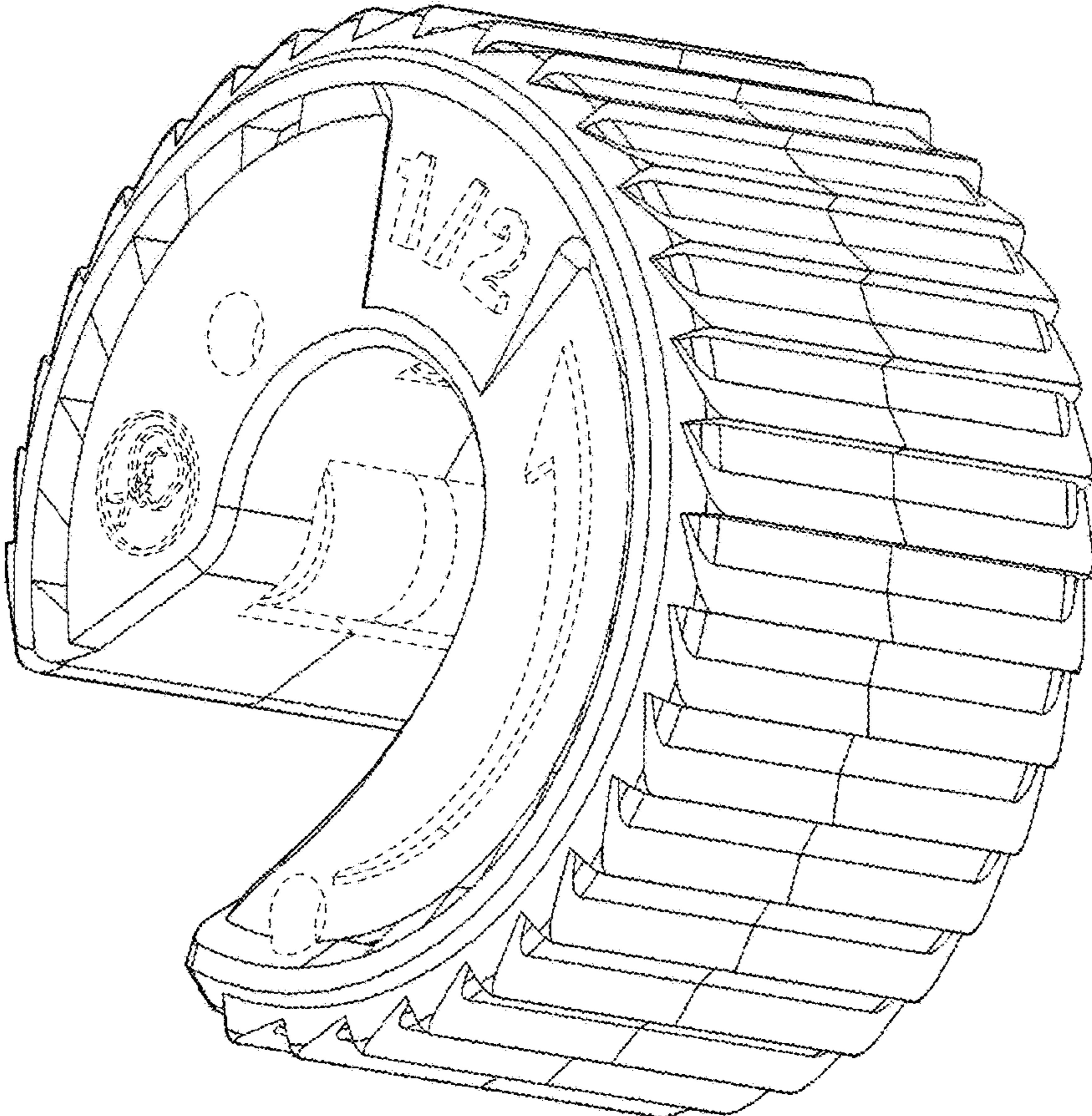


FIG. 37

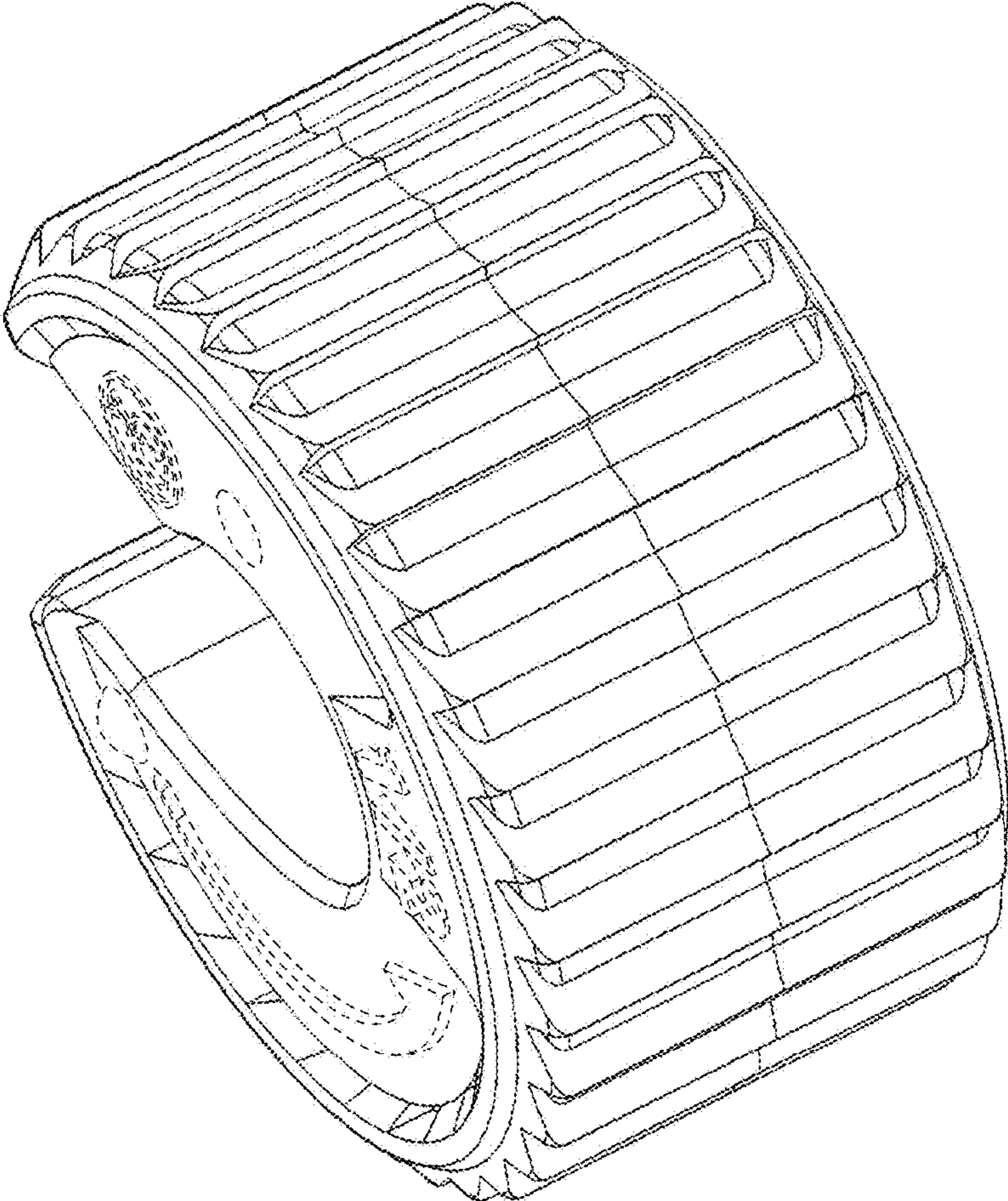


FIG. 38

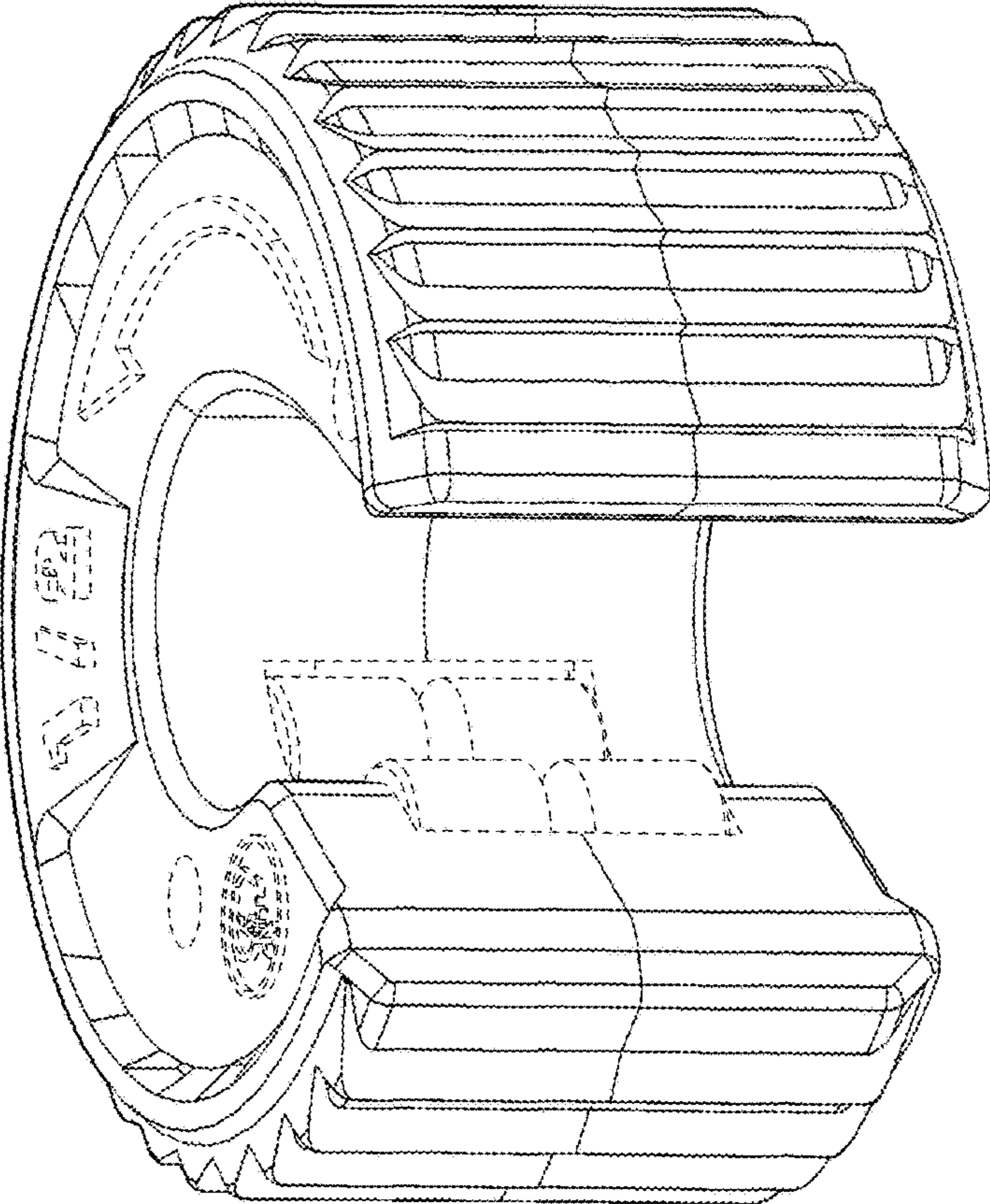


FIG. 39

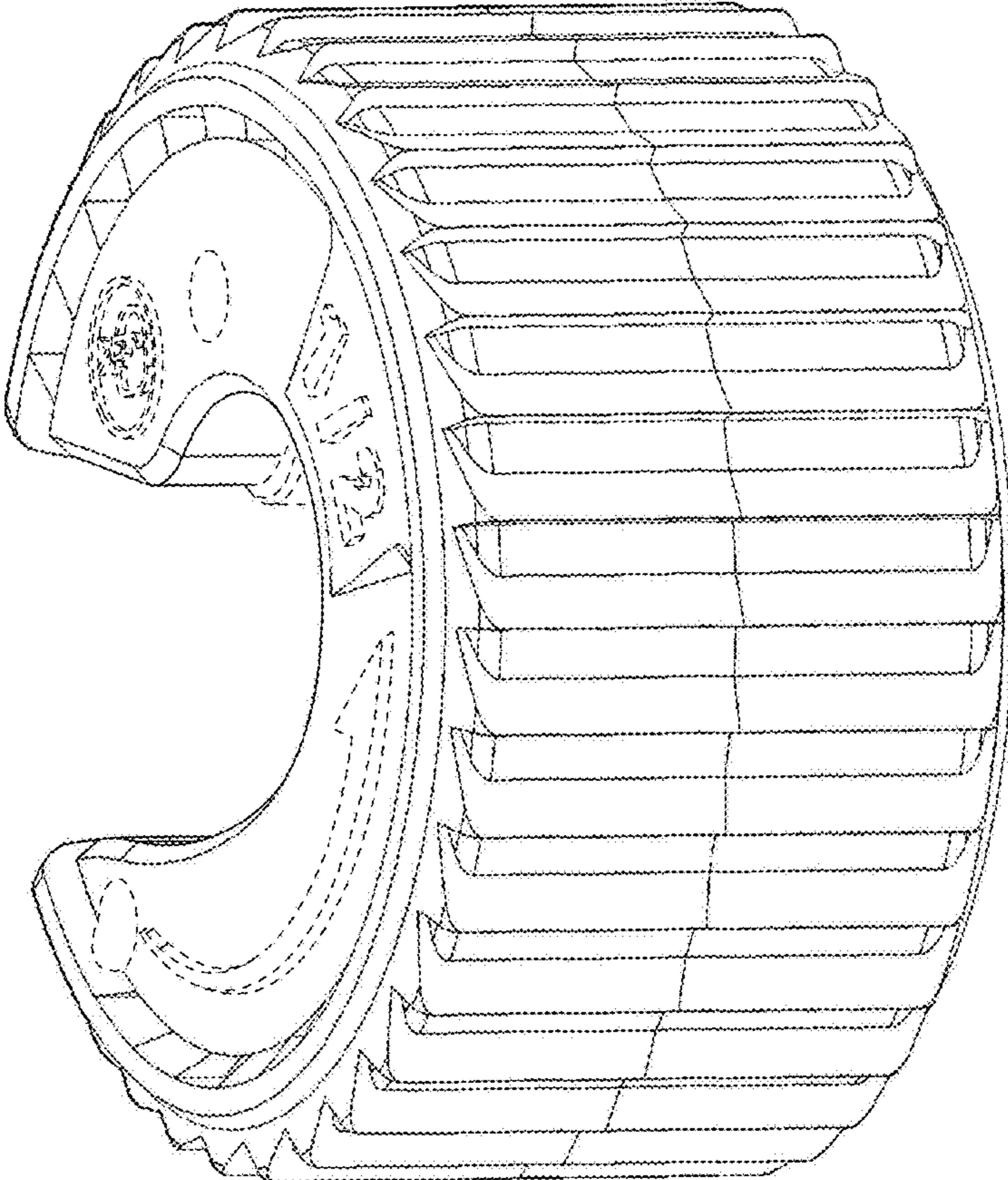


FIG. 40

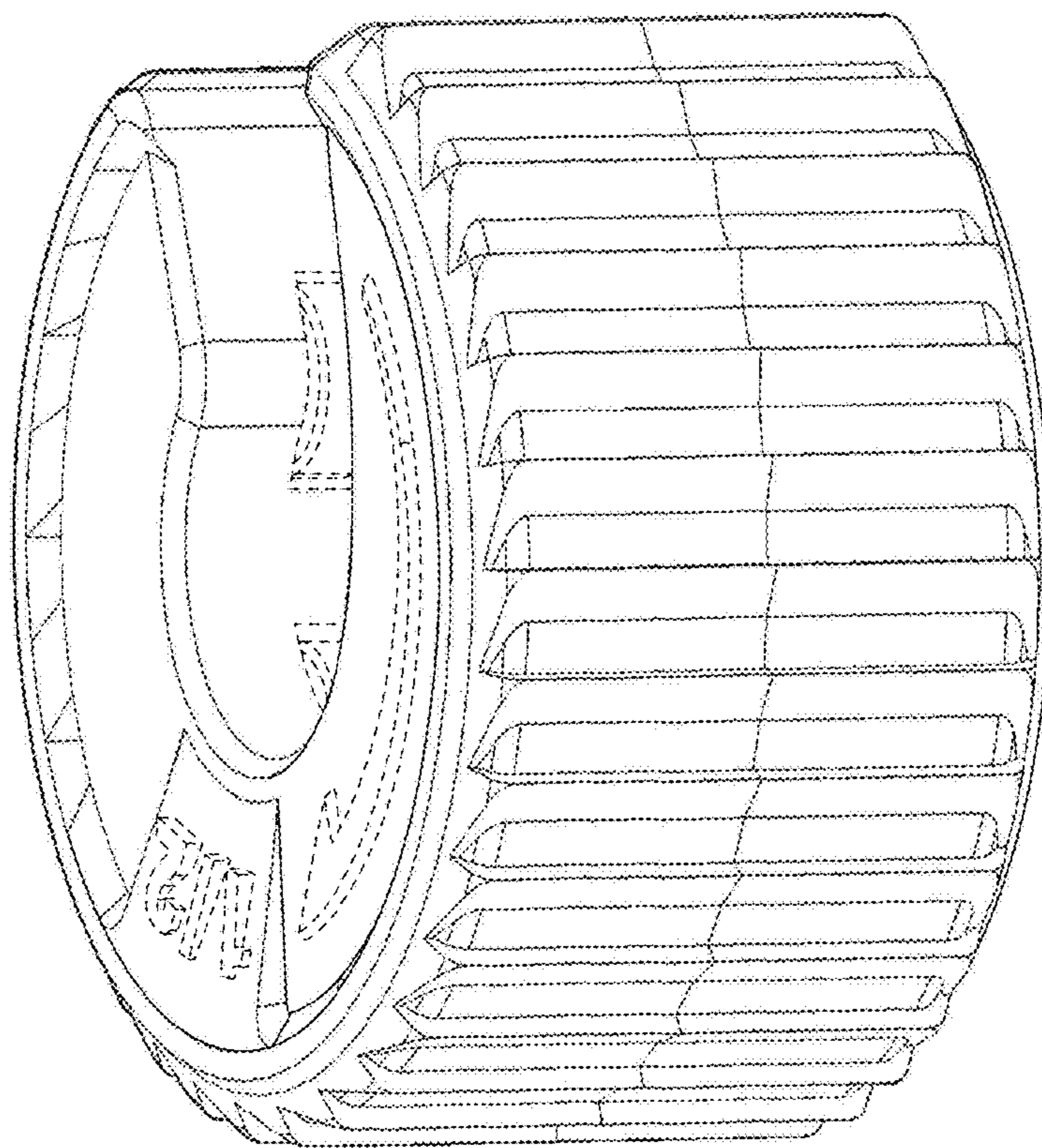


FIG. 41

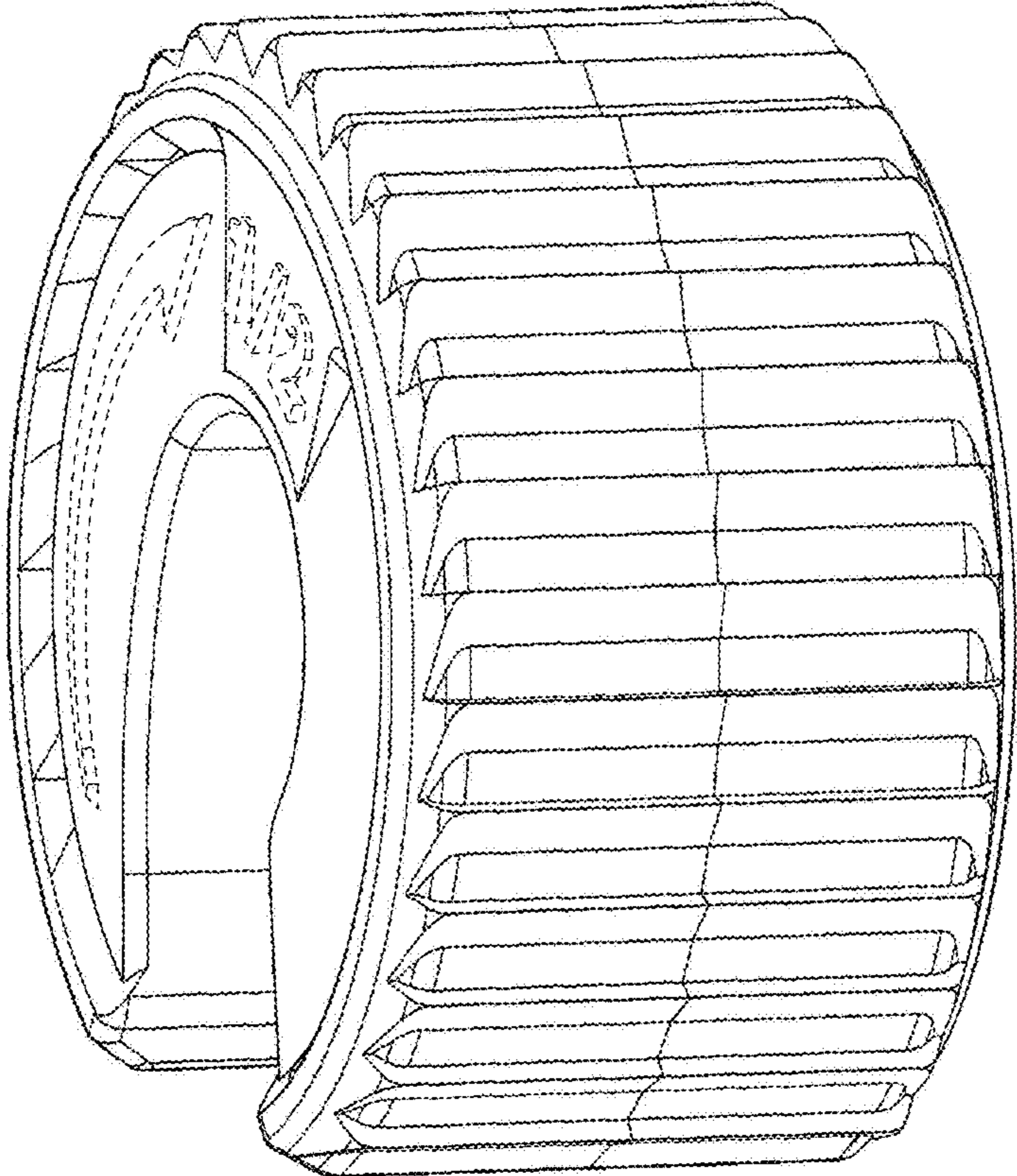


FIG. 42