



US00D851468S

(12) **United States Design Patent** (10) **Patent No.:** **US D851,468 S**
 Holding et al. (45) **Date of Patent:** **** Jun. 18, 2019**

(54) **JUICER WITH REVERSIBLE LID** 2010/0170406 A1* 7/2010 Chuang A47J 19/022
100/126

(71) Applicant: **Joseph Joseph Ltd.**, London (GB) * cited by examiner

(72) Inventors: **Bill Holding**, London (GB); **Ben Cox**,
London (GB) *Primary Examiner* — Terry A Wallace

(73) Assignee: **JOSEPH JOSEPH LTD.**, London
(GB) (74) *Attorney, Agent, or Firm* — Millen, White, Zelano & Branigan, PC

(**) Term: **15 Years**

(57) **CLAIM**

(21) Appl. No.: **29/633,962**

The ornamental design for a juicer with reversible lid, as shown and described.

(22) Filed: **Jan. 17, 2018**

(30) **Foreign Application Priority Data**

DESCRIPTION

Jul. 17, 2017 (EM) 004107217-0005

(51) **LOC (11) Cl.** **07-04**

(52) **U.S. Cl.**
USPC **D7/667**

(58) **Field of Classification Search**
USPC D7/665, 666, 669, 368, 584, 586, 587
CPC A23N 1/00; A23N 1/003; A47G 19/30;
A47J 19/02; A47J 19/022; A47J 43/14
See application file for complete search history.

FIG. 1 is a side view of the juicer with reversible lid showing my new design.
FIG. 2 is another side view thereof.
FIG. 3 is another side view thereof.
FIG. 4 is another side view thereof.
FIG. 5 is a top view thereof.
FIG. 6 is a bottom view thereof.
FIG. 7 is a top perspective view thereof.
FIG. 8 is a top perspective view thereof with the lid reversed.
FIG. 9 is a top perspective exploded view thereof; and,
FIG. 10 is a top perspective exploded view thereof with the lid reversed.

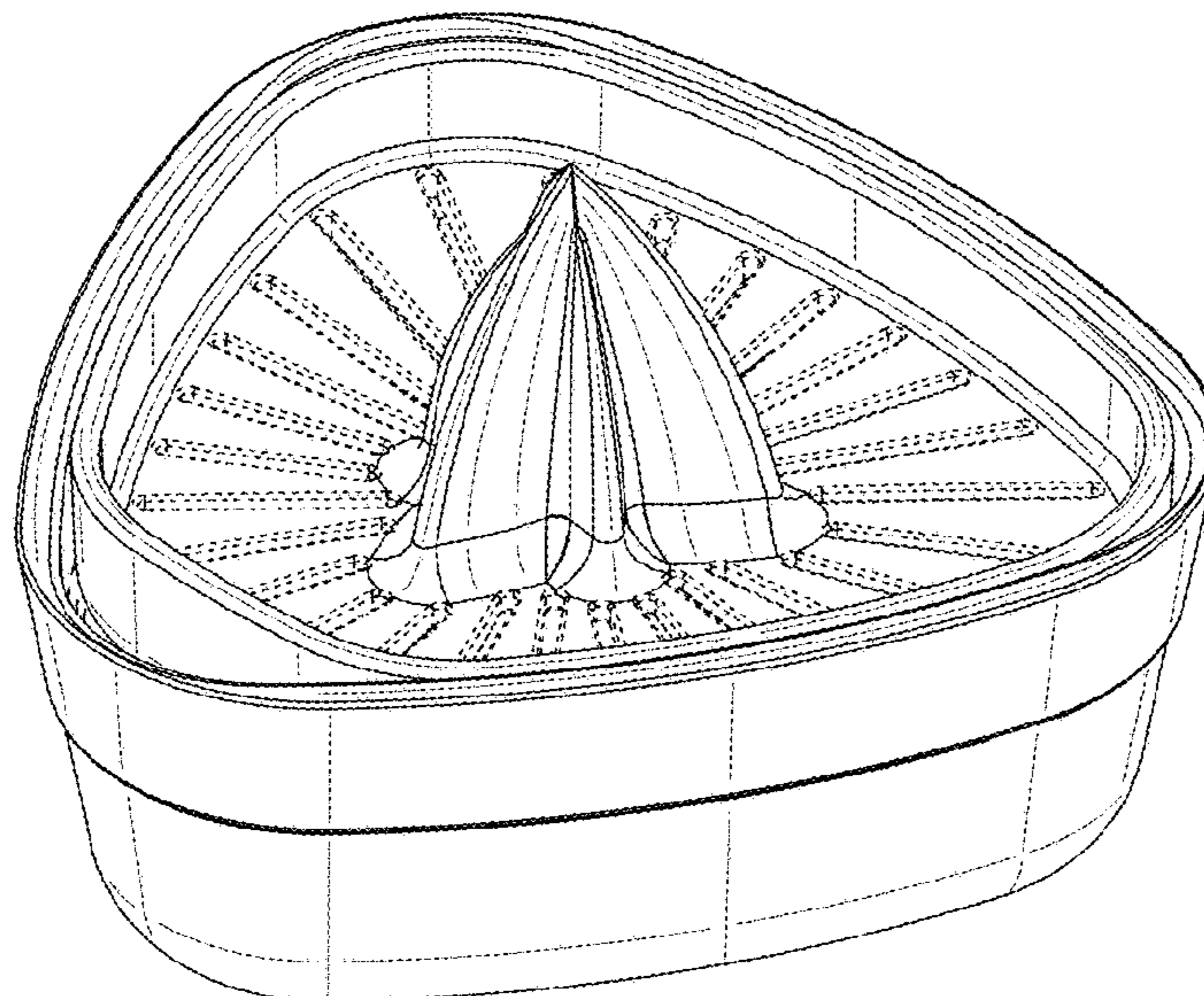
(56) **References Cited**

U.S. PATENT DOCUMENTS

4,125,064 A * 11/1978 Ackeret A47J 19/022
99/508
D279,157 S * 6/1985 Gecchelin D7/665
D699,522 S * 2/2014 Wong D7/665

The broken lines in the drawings illustrate portions of the juicer with reversible lid which form no part of the claimed design.

1 Claim, 10 Drawing Sheets



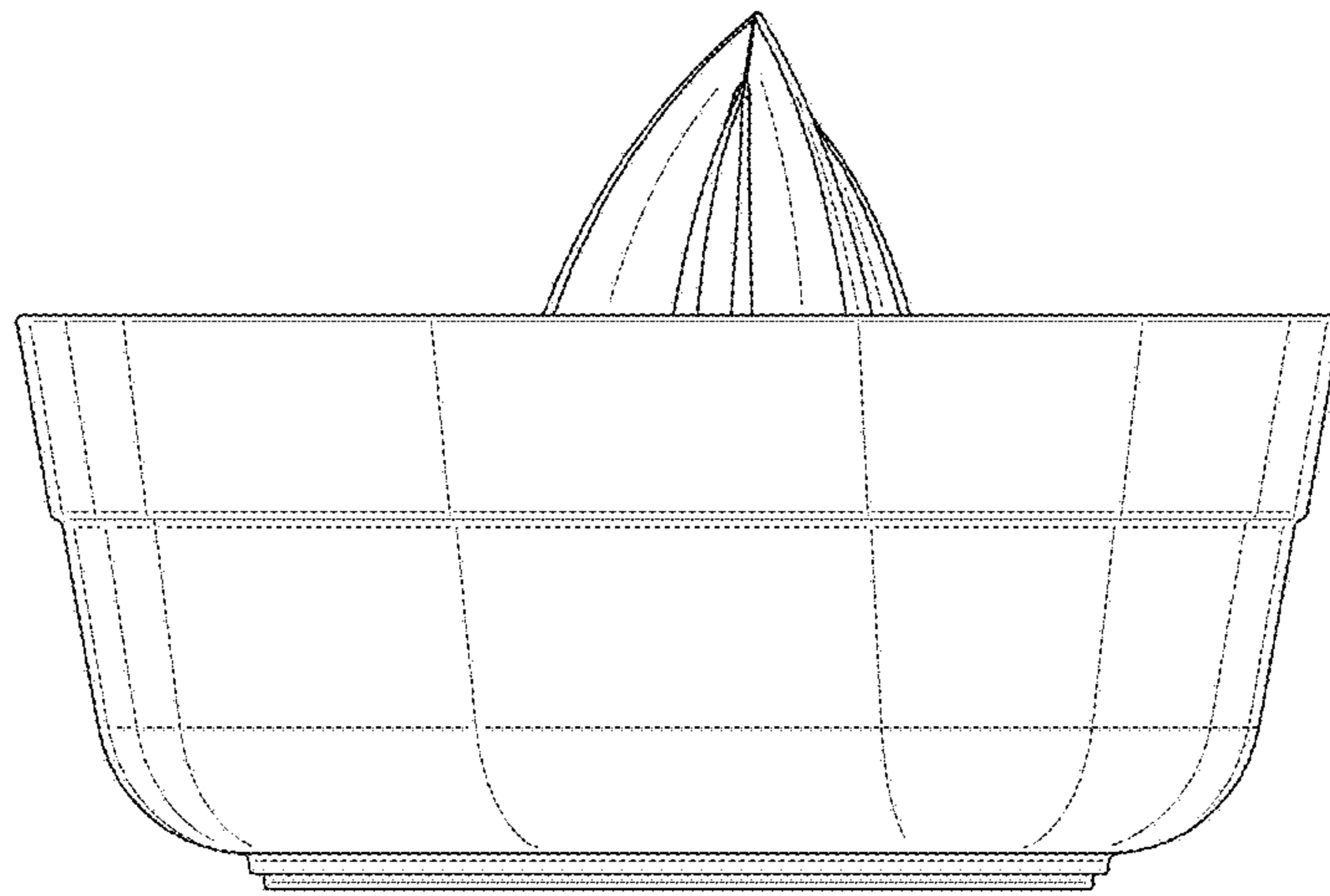


FIG. 1

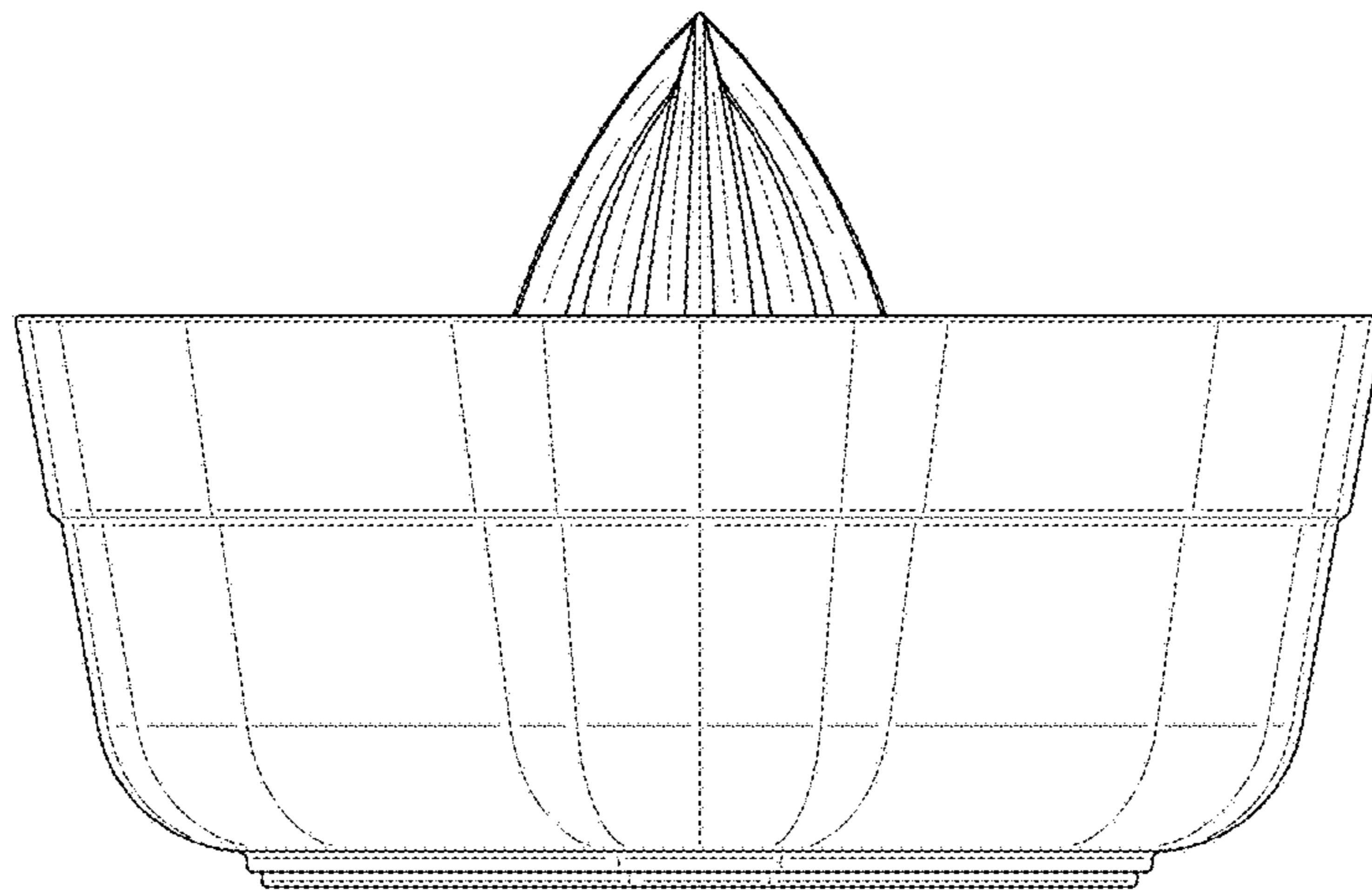


FIG. 2

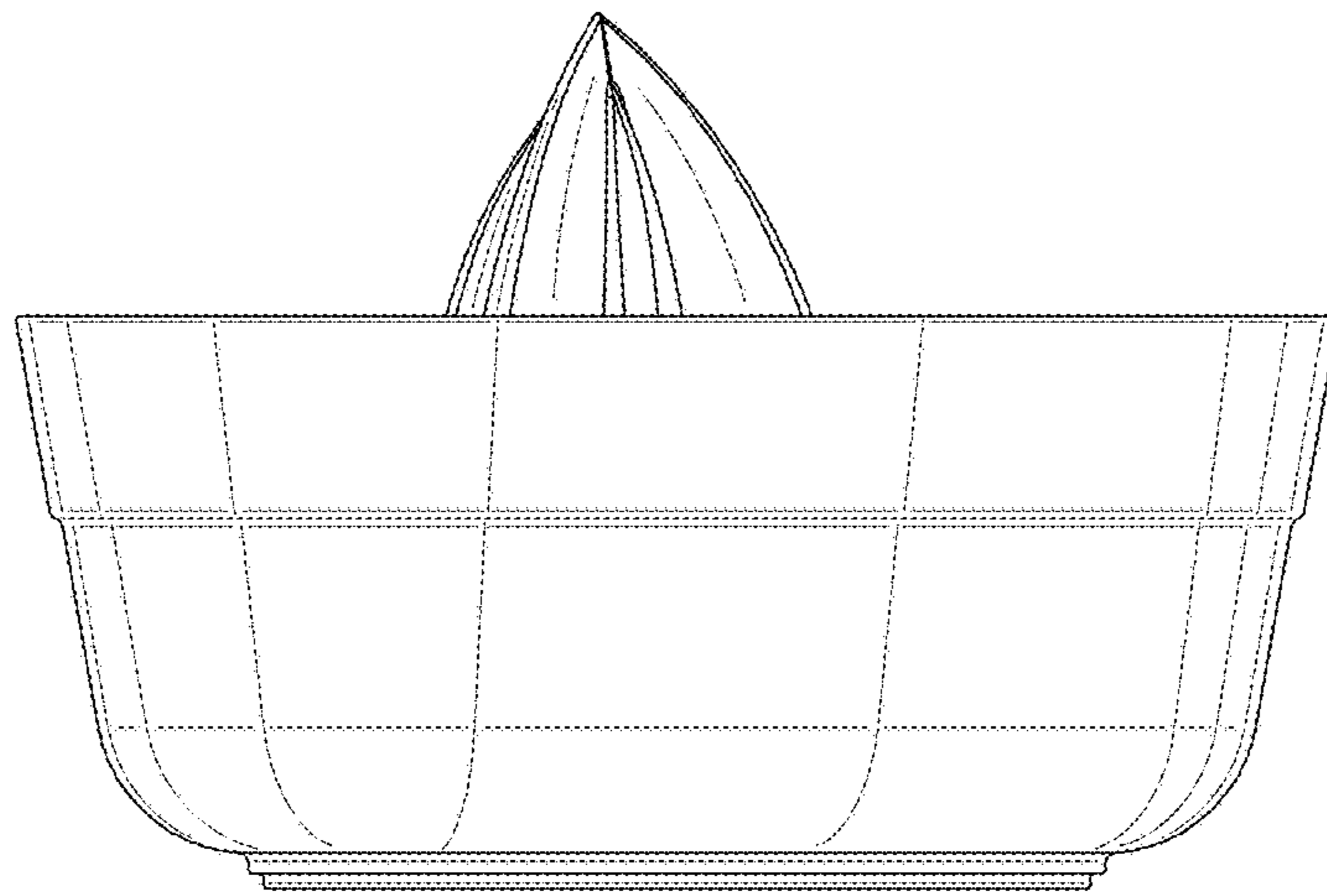


FIG. 3

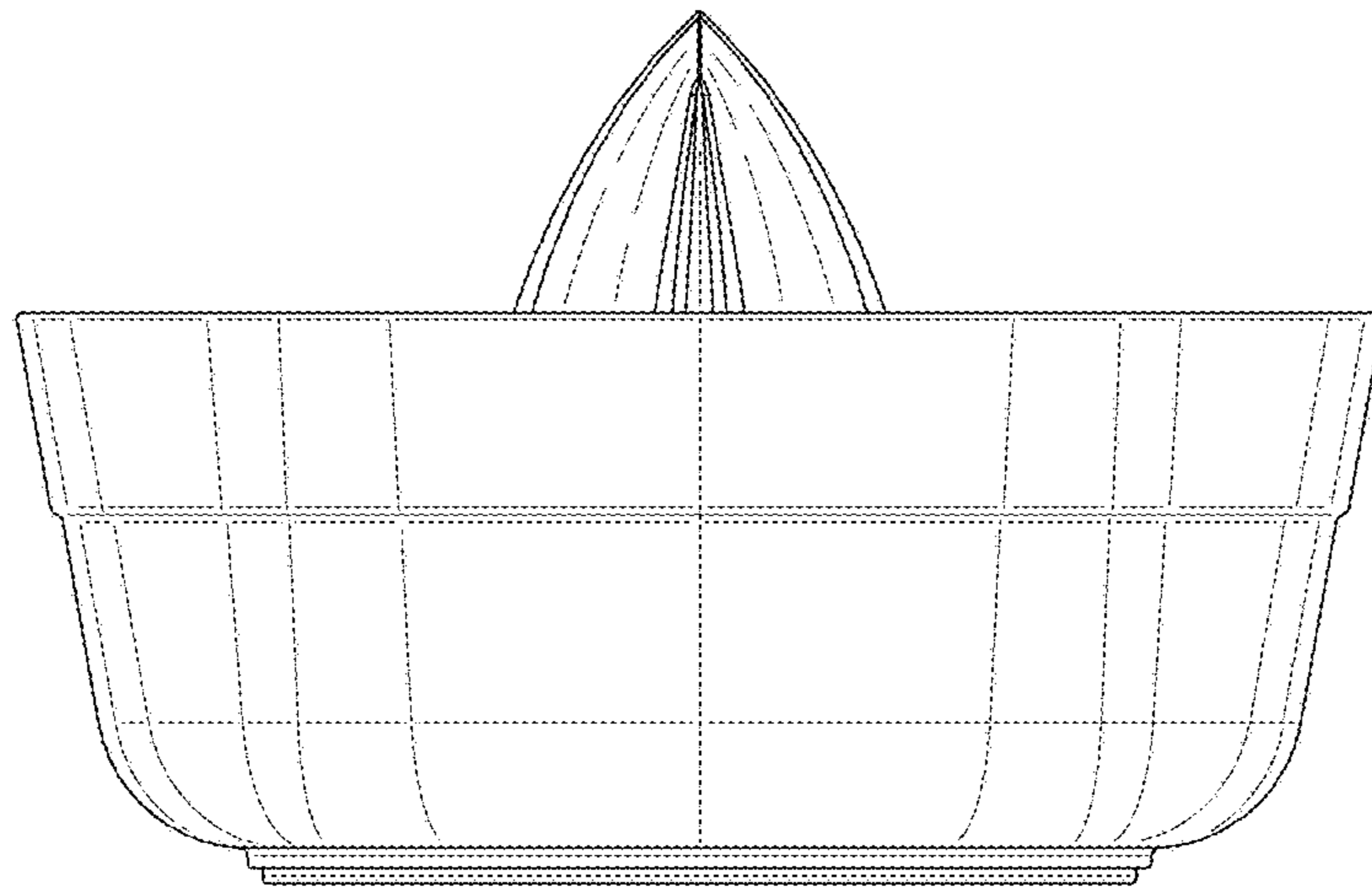


FIG. 4

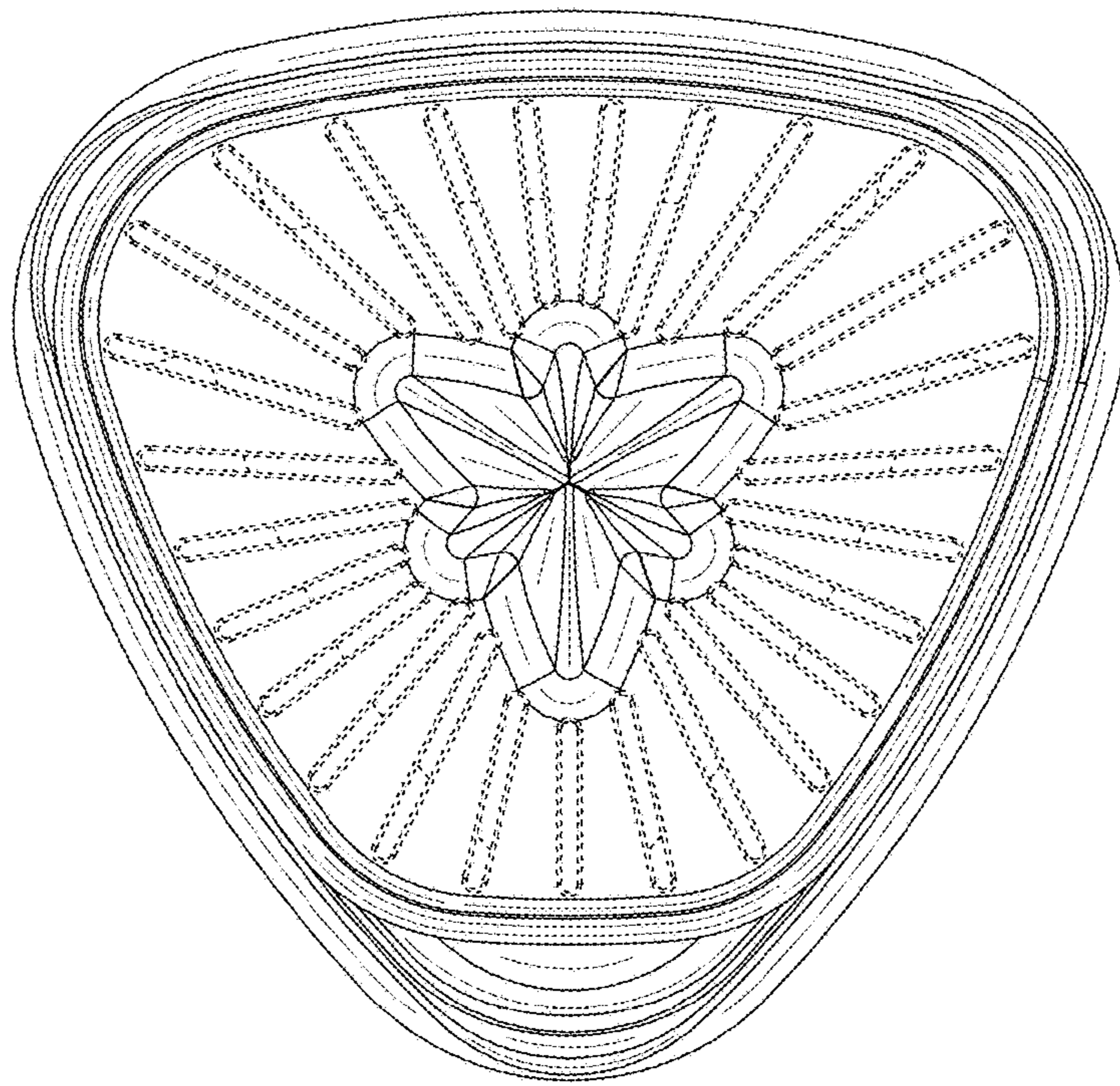


FIG. 5

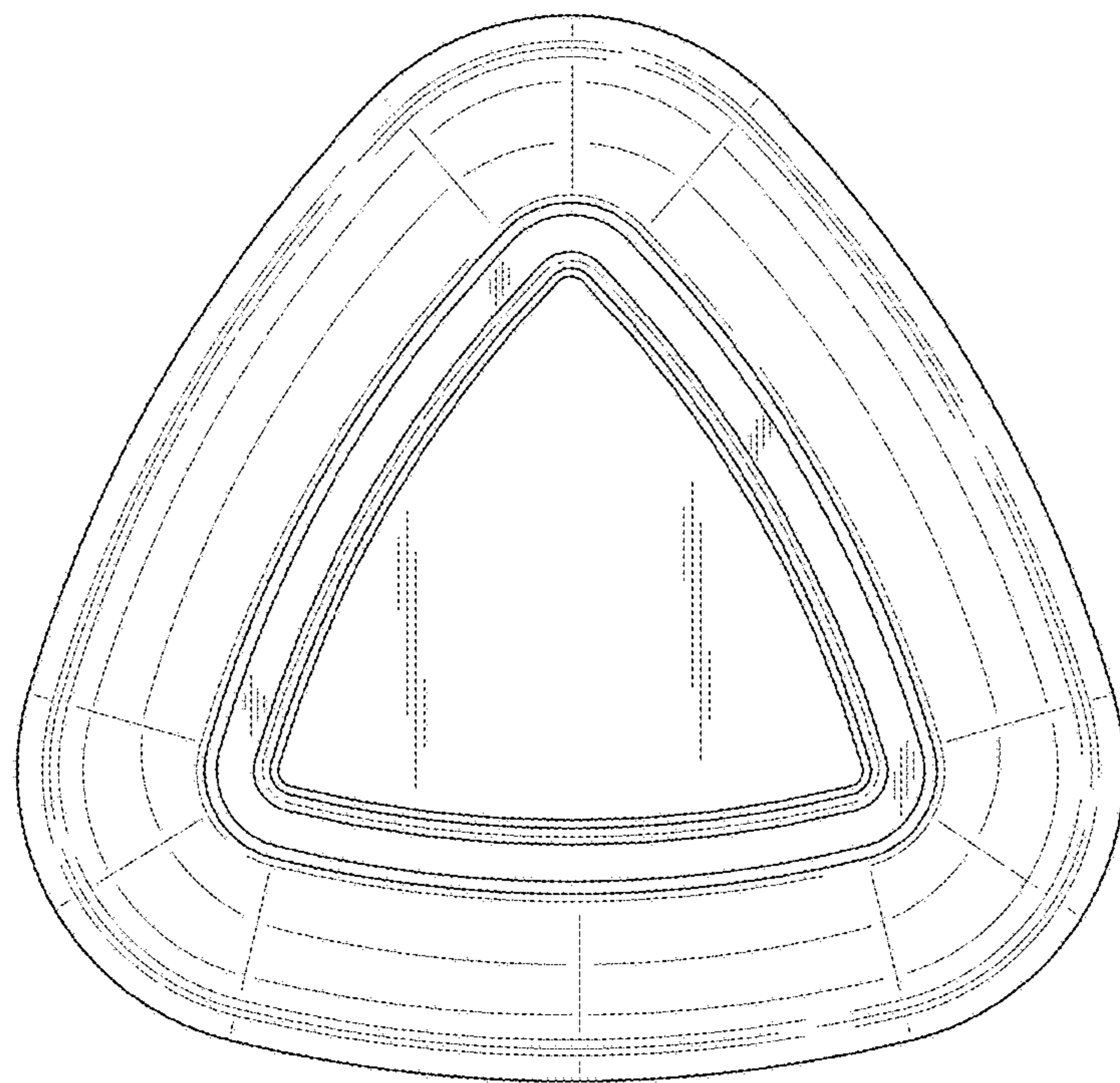


FIG. 6

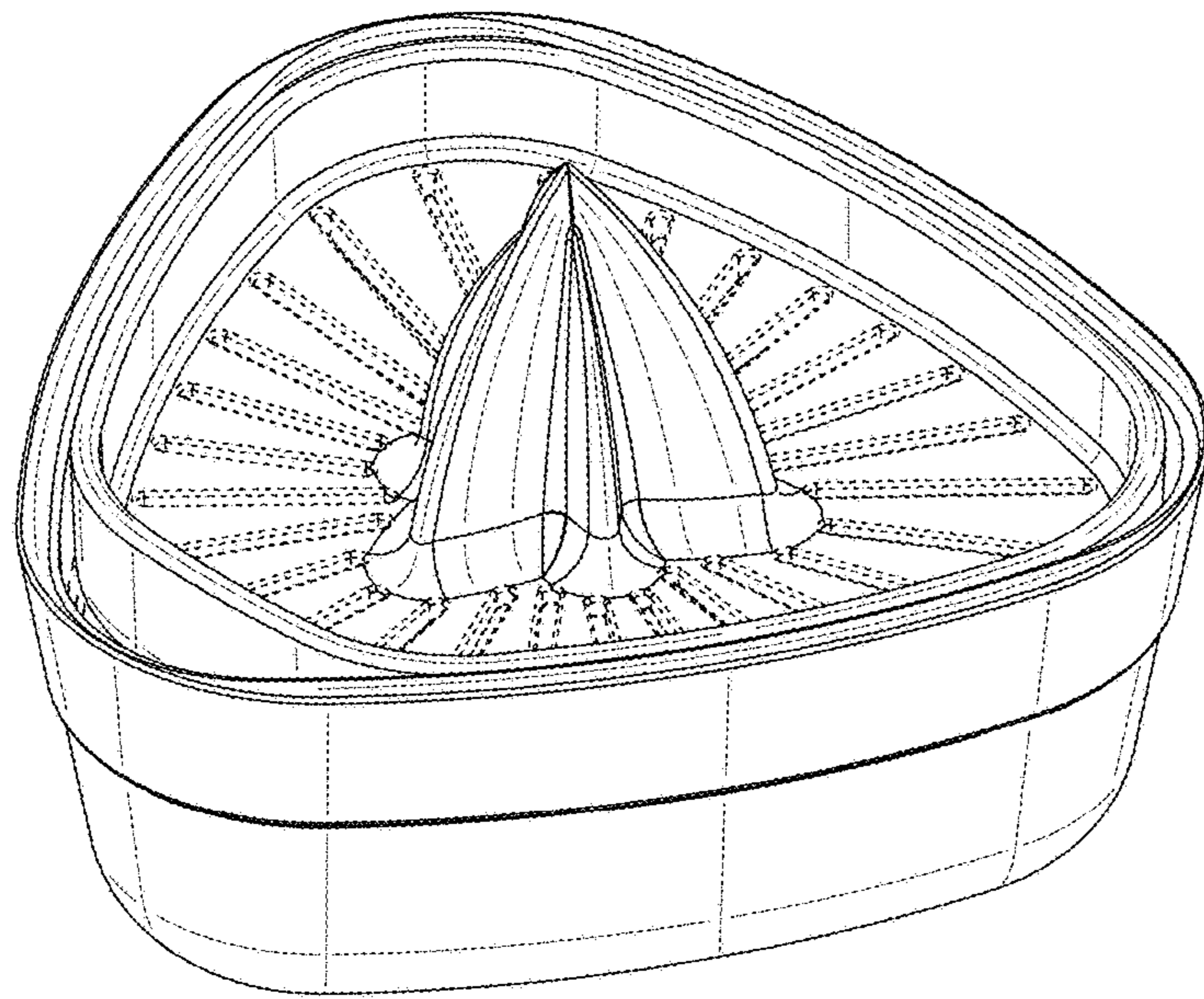


FIG. 7

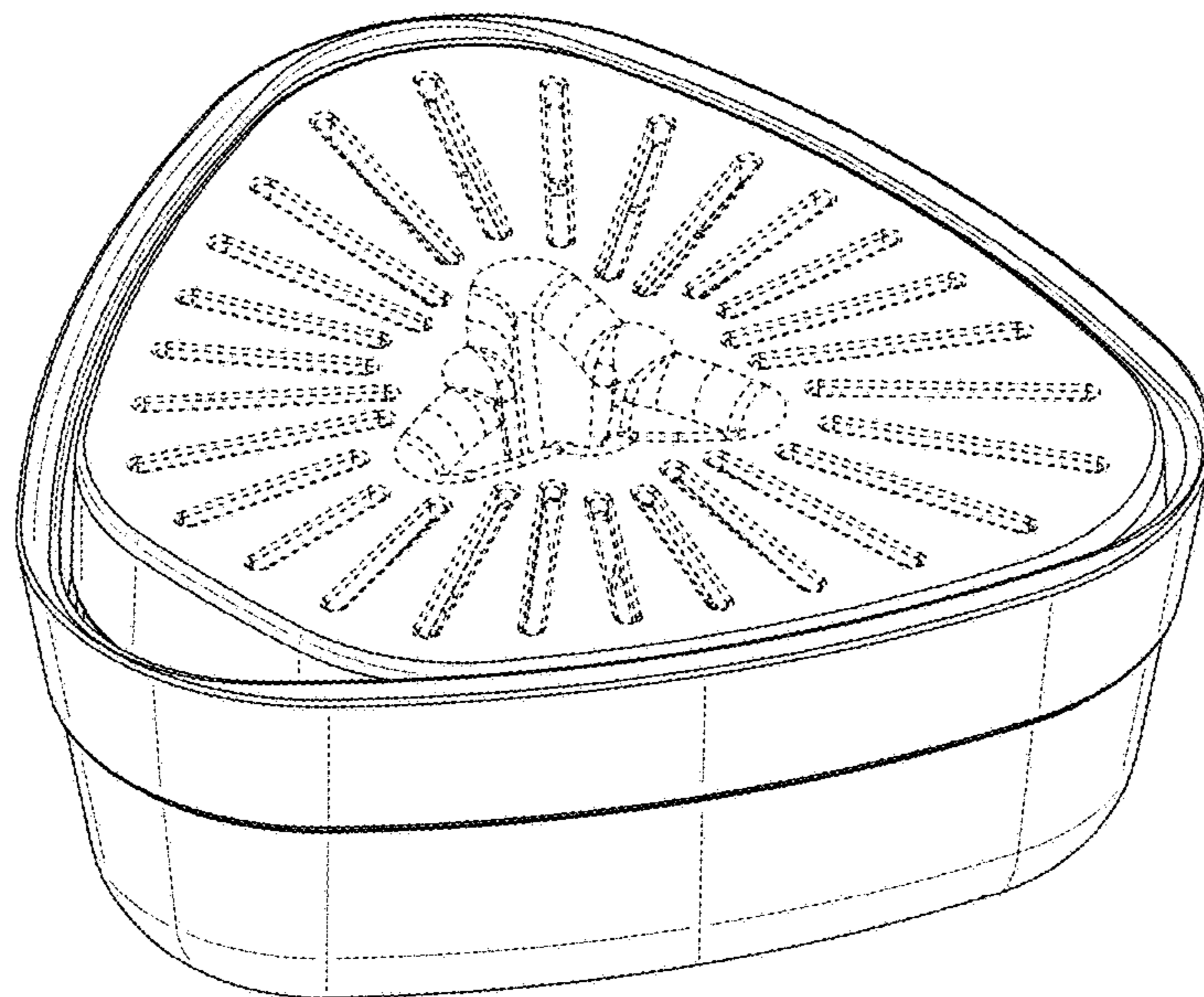


FIG. 8

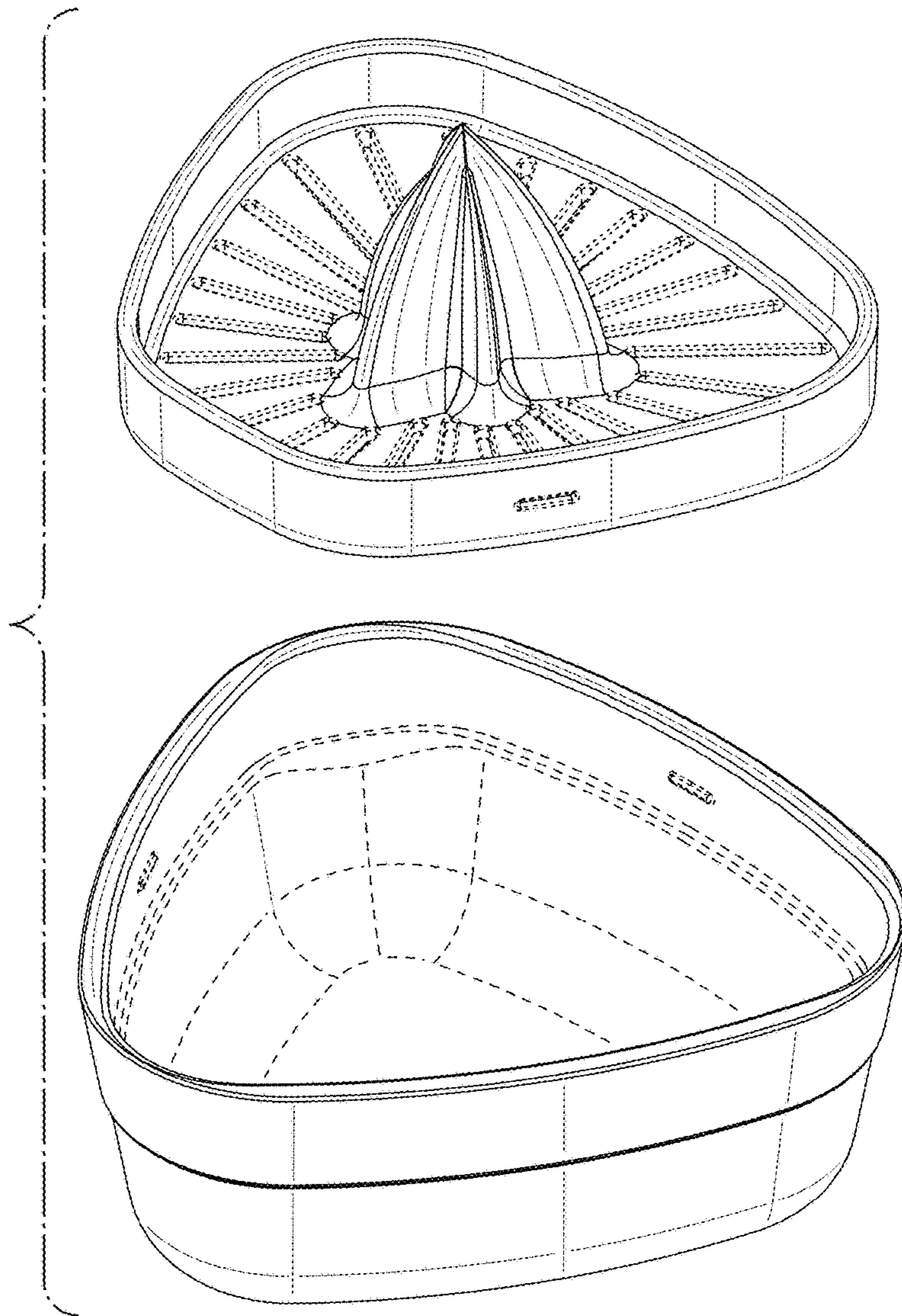


FIG. 9

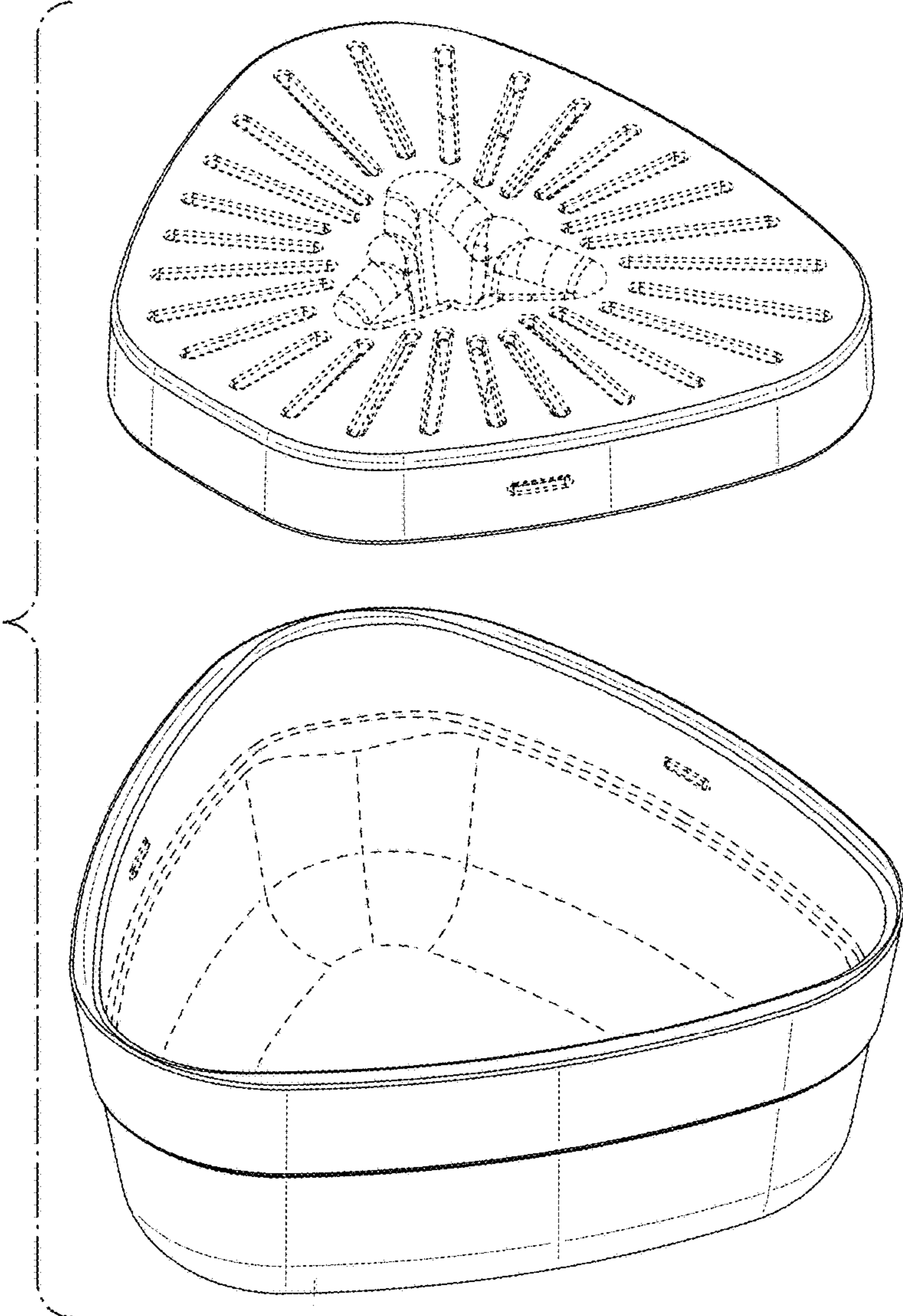


FIG. 10