



US00D851467S

(12) **United States Design Patent**  
**McConnell et al.**

(10) **Patent No.:** **US D851,467 S**  
(45) **Date of Patent:** **\*\* Jun. 18, 2019**

(54) **SIFTER SCALE ATTACHMENT**

2015/0014227 A1\* 1/2015 Riha, IV ..... A47J 43/22  
209/236

(71) Applicant: **WHIRLPOOL CORPORATION**,  
Benton Harbor, MI (US)

\* cited by examiner

(72) Inventors: **John W. McConnell**, St. Joseph, MI  
(US); **Brandon T. Mock**, St. Joseph,  
MI (US); **Nicholas H. Schutte**, St.  
Joseph, MI (US)

*Primary Examiner* — Terry A Wallace

(74) *Attorney, Agent, or Firm* — Price Heneveld LLP

(73) Assignee: **Whirlpool Corporation**, Benton  
Harbor, MI (US)

(57) **CLAIM**

We claim the ornamental design for a sifter scale attachment,  
as shown and described.

(\*\*) Term: **15 Years**

**DESCRIPTION**

(21) Appl. No.: **29/633,695**

FIG. 1 is a rear perspective view of a sifter scale attachment  
of the present disclosure;

(22) Filed: **Jan. 15, 2018**

FIG. 2 is a front perspective view of the sifter scale  
attachment of FIG. 1;

(51) **LOC (11) Cl.** ..... **31-00**

FIG. 3 is a rear elevational view of the sifter scale attach-  
ment of FIG. 1;

(52) **U.S. Cl.**  
USPC ..... **D7/667**; D7/412

FIG. 4 is a front elevational view of the sifter scale attach-  
ment of FIG. 1;

(58) **Field of Classification Search**  
USPC ..... D7/667, 368, 412, 376, 381, 384  
CPC .. A47J 2043/04418; A47J 43/06; A47J 43/22;  
B07B 1/30; B07B 1/36; B07B 1/00  
See application file for complete search history.

FIG. 5 is a first side elevational view of the sifter scale  
attachment of FIG. 1;

FIG. 6 is a second side elevational view of the sifter scale  
attachment of FIG. 1;

FIG. 7 is a top plan view of the sifter scale attachment of  
FIG. 1; and,

FIG. 8 is a bottom plan view of the sifter scale attachment  
of FIG. 1.

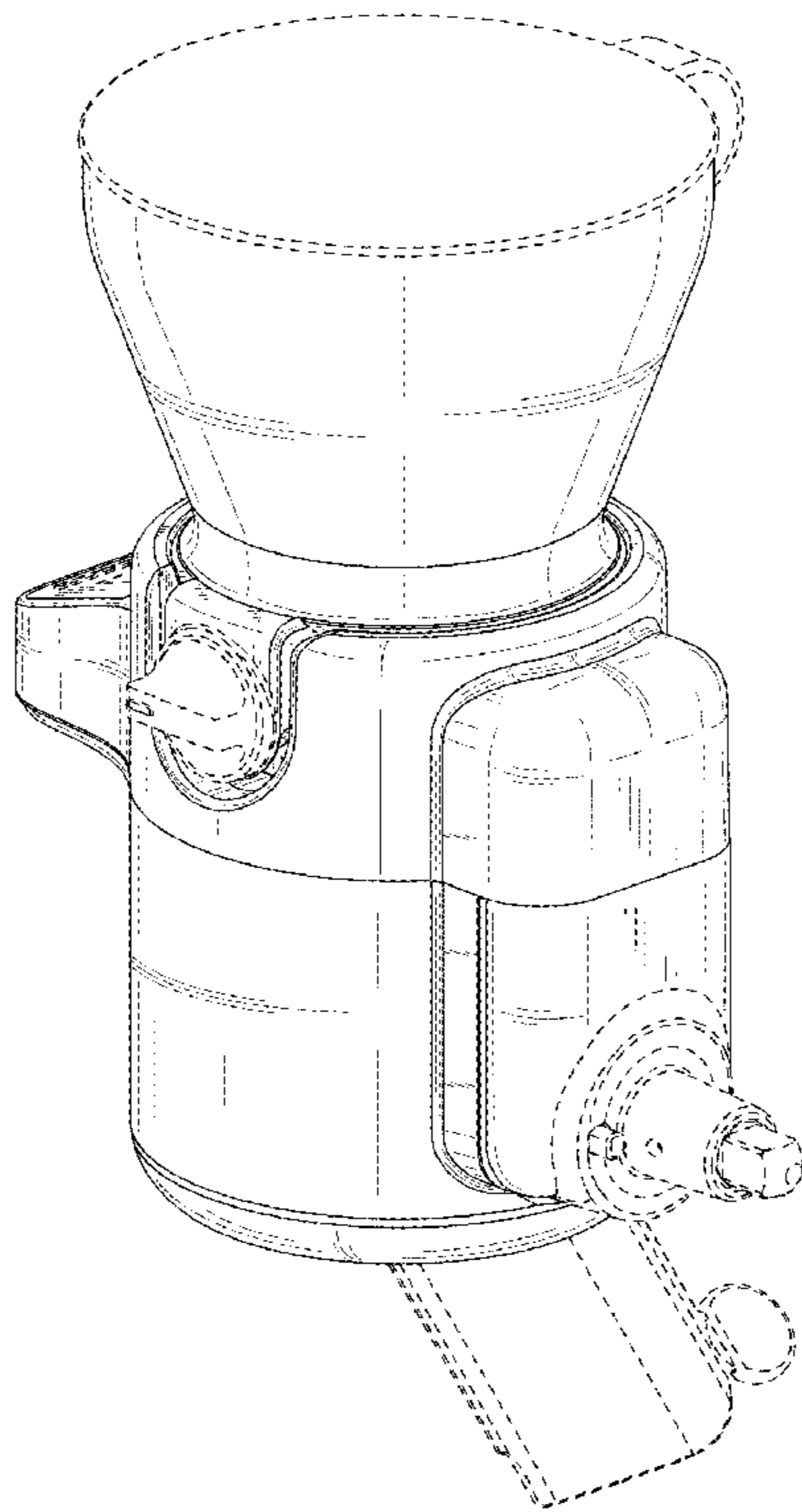
The broken lines depict portions of the article that form no  
part of the claimed design.

(56) **References Cited**

**U.S. PATENT DOCUMENTS**

D511,275 S \* 11/2005 Fritz ..... D7/668  
D760,038 S \* 6/2016 Riha, IV ..... D7/667

**1 Claim, 8 Drawing Sheets**



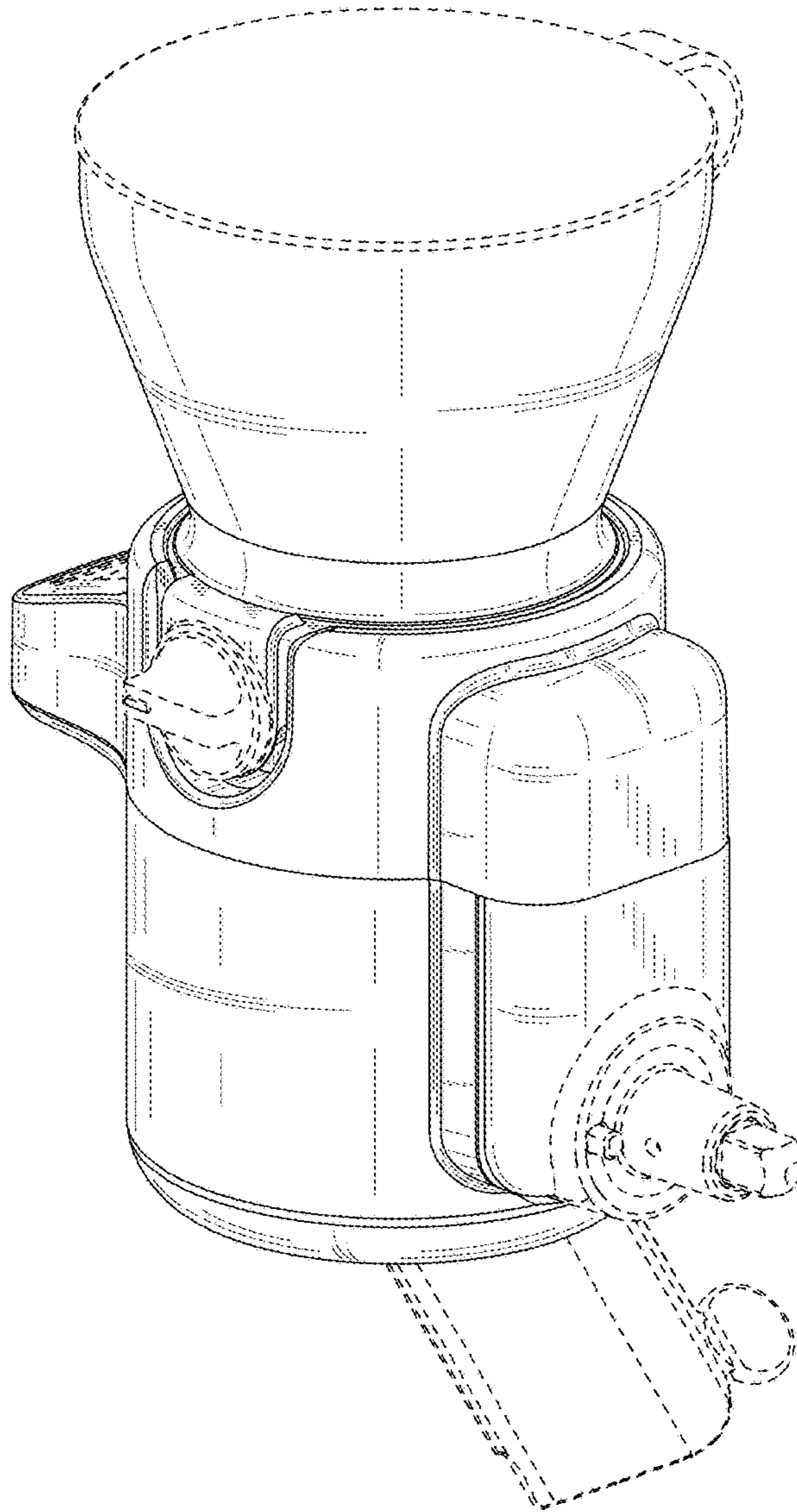
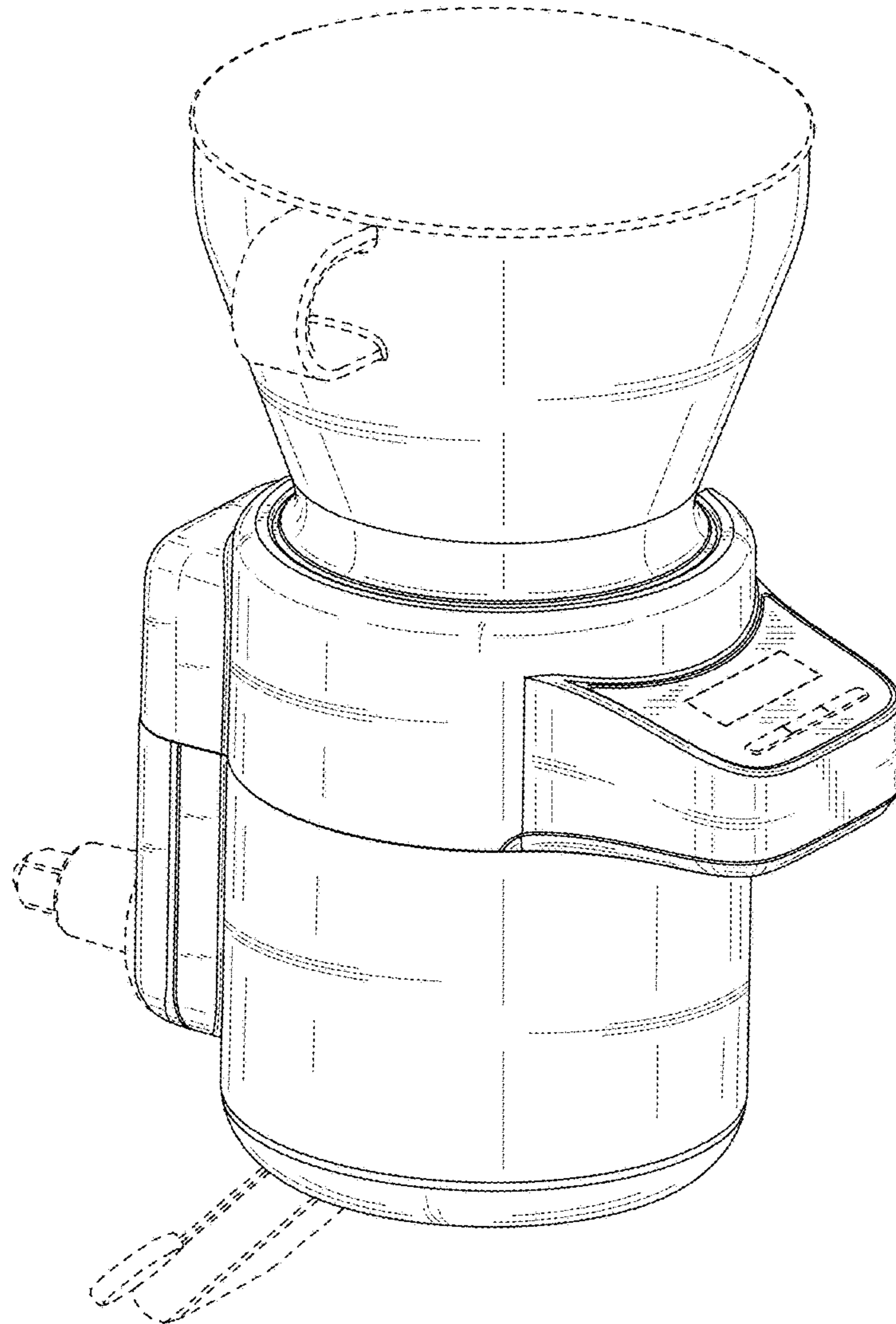


FIG. 1



**FIG. 2**

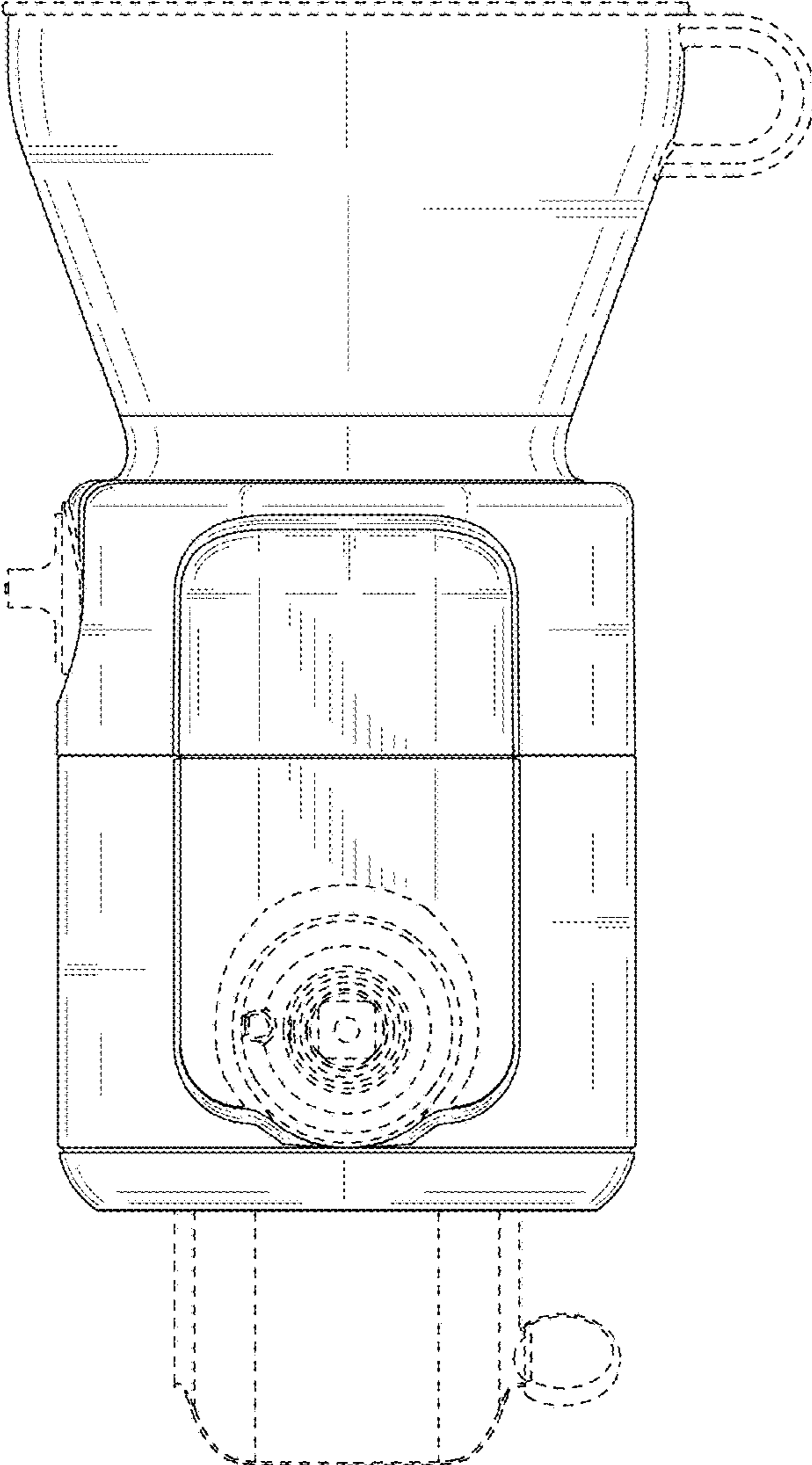


FIG. 3

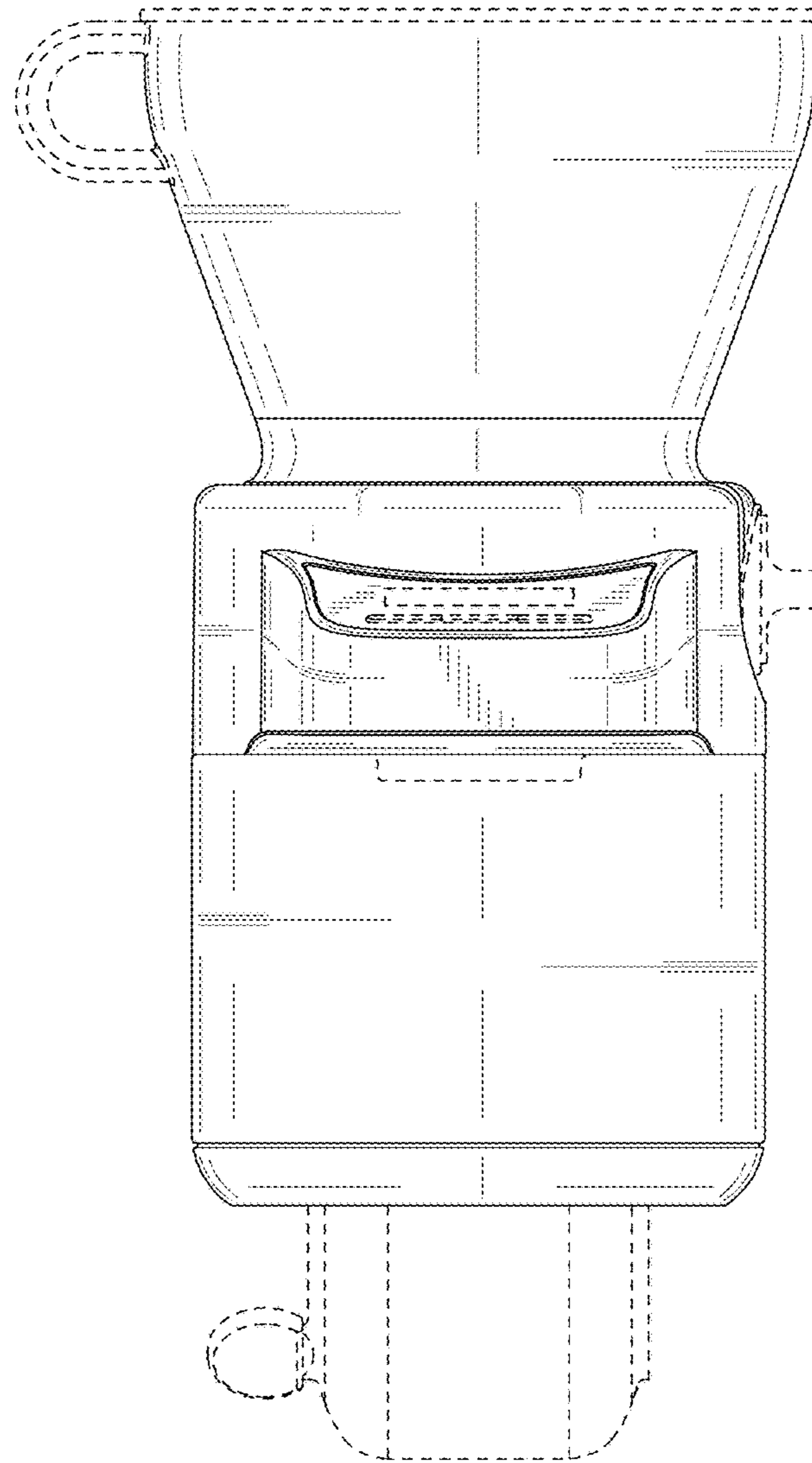


FIG. 4

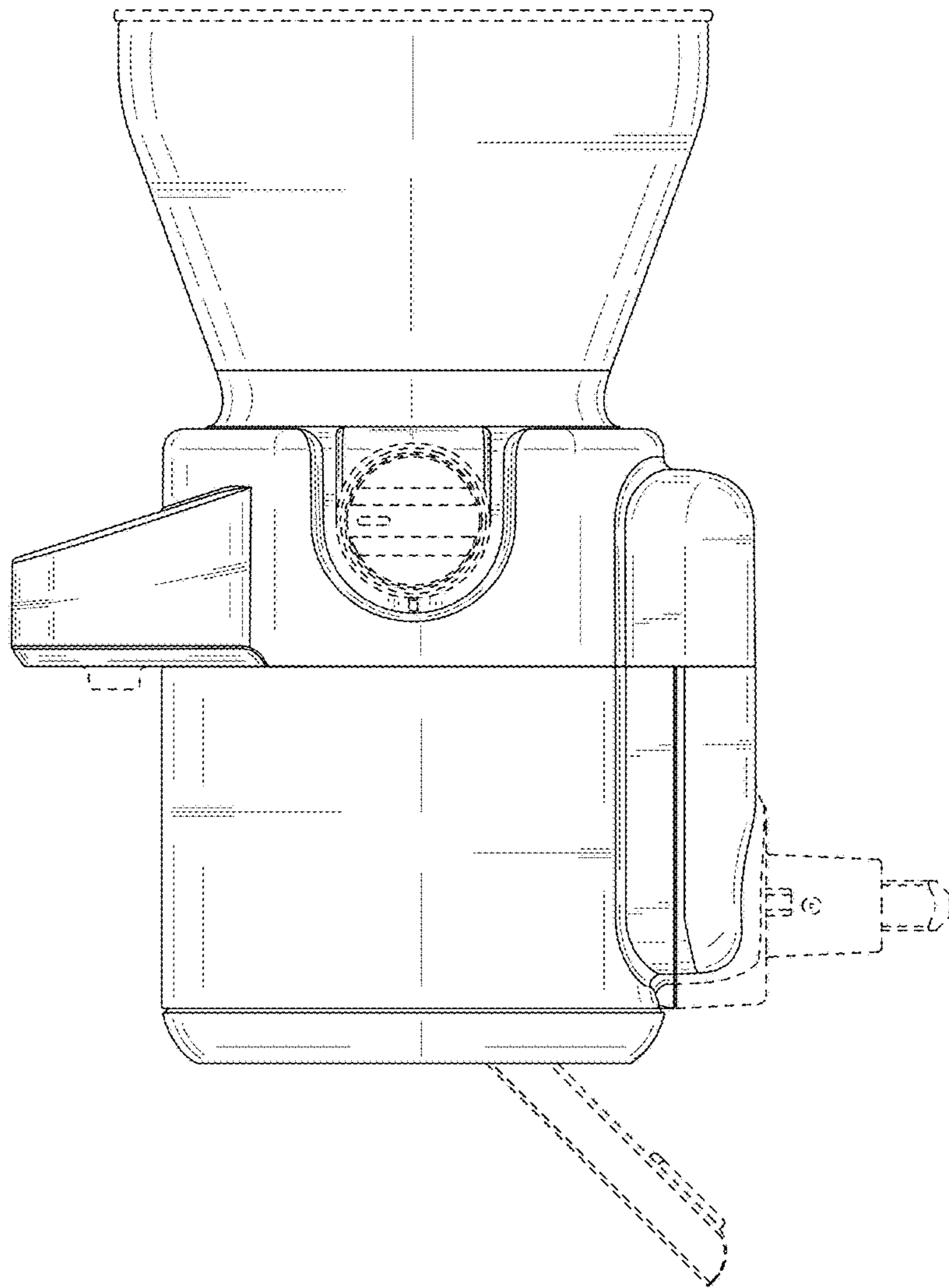
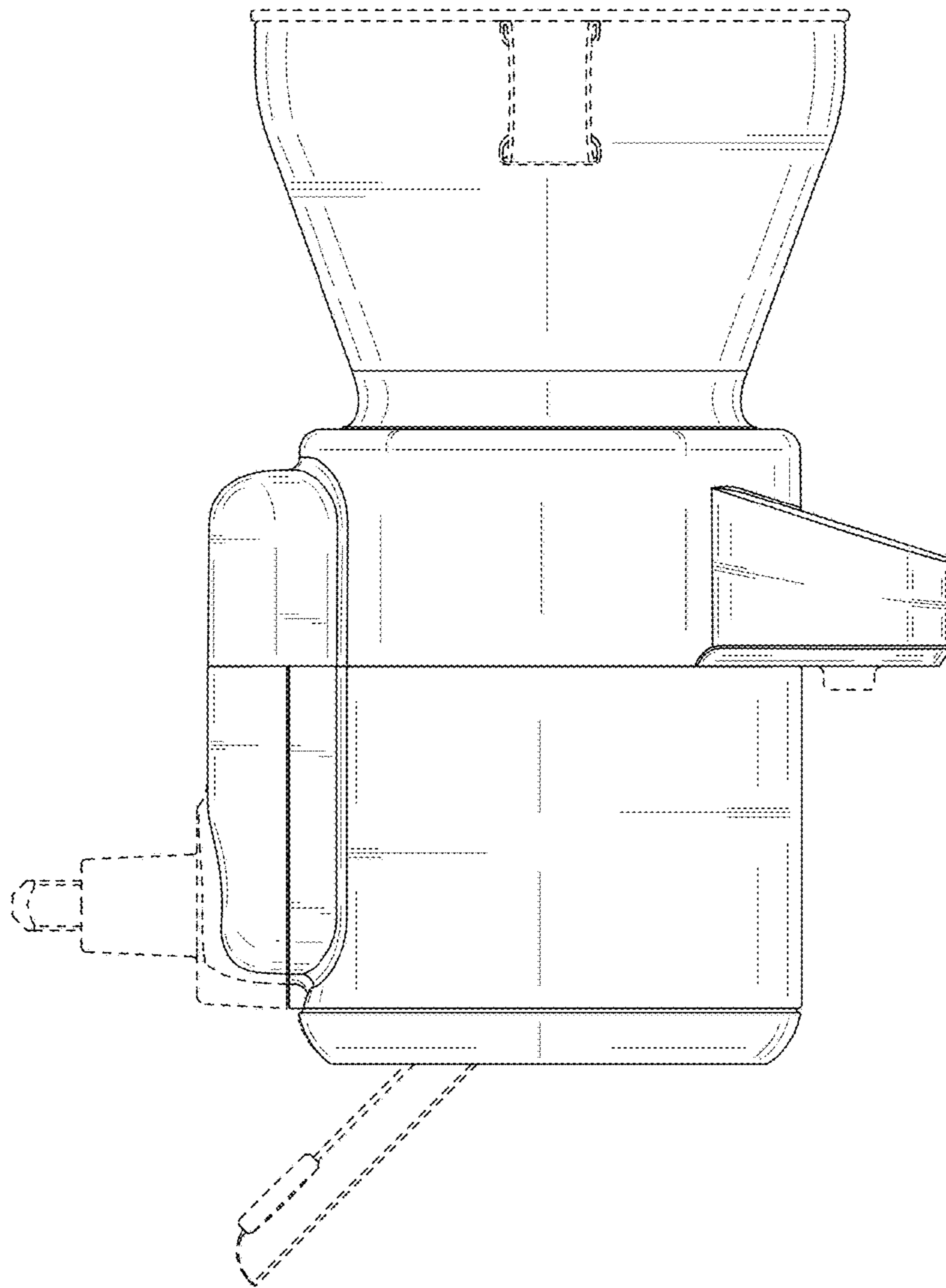
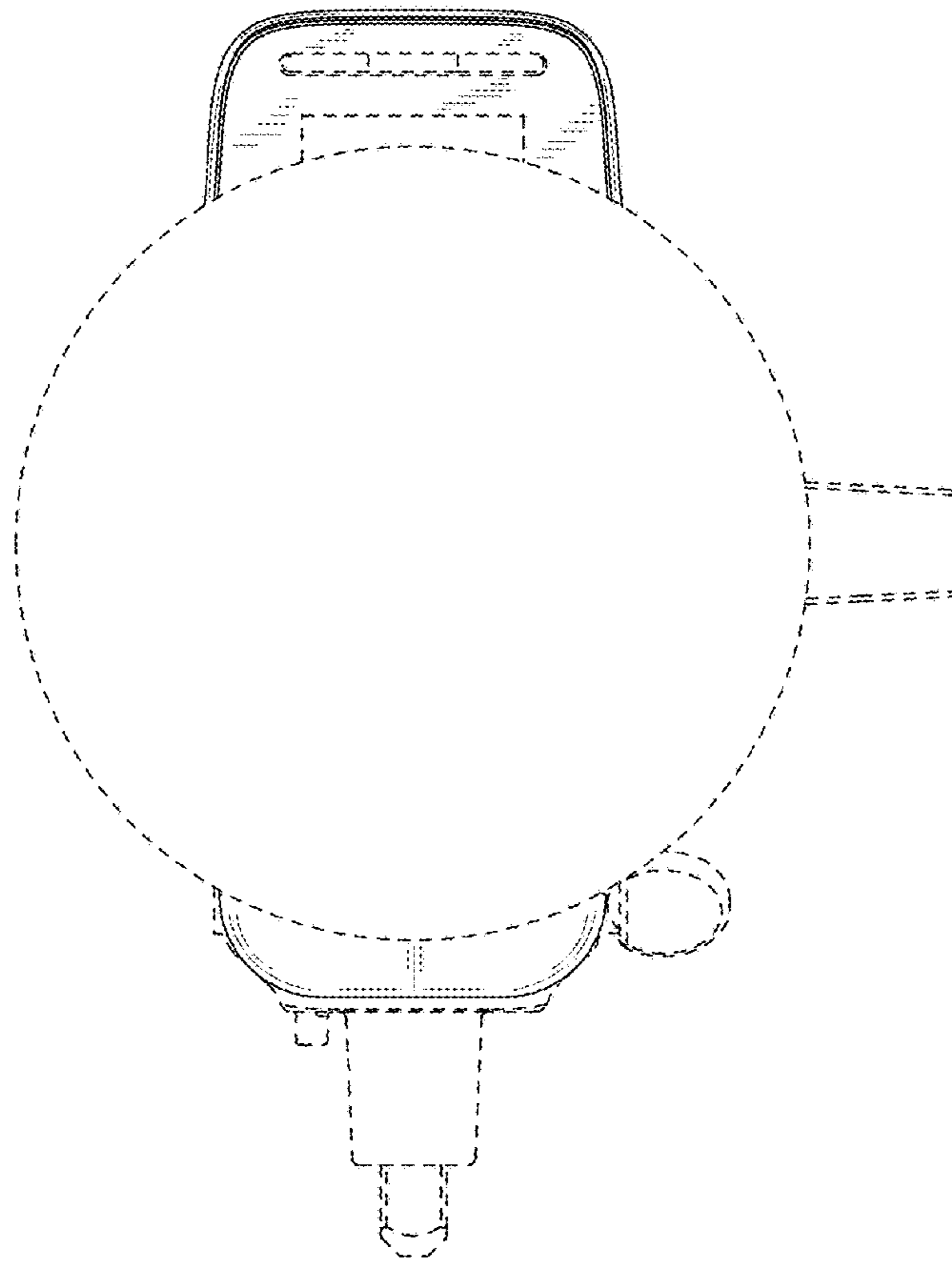


FIG. 5



**FIG. 6**



**FIG. 7**



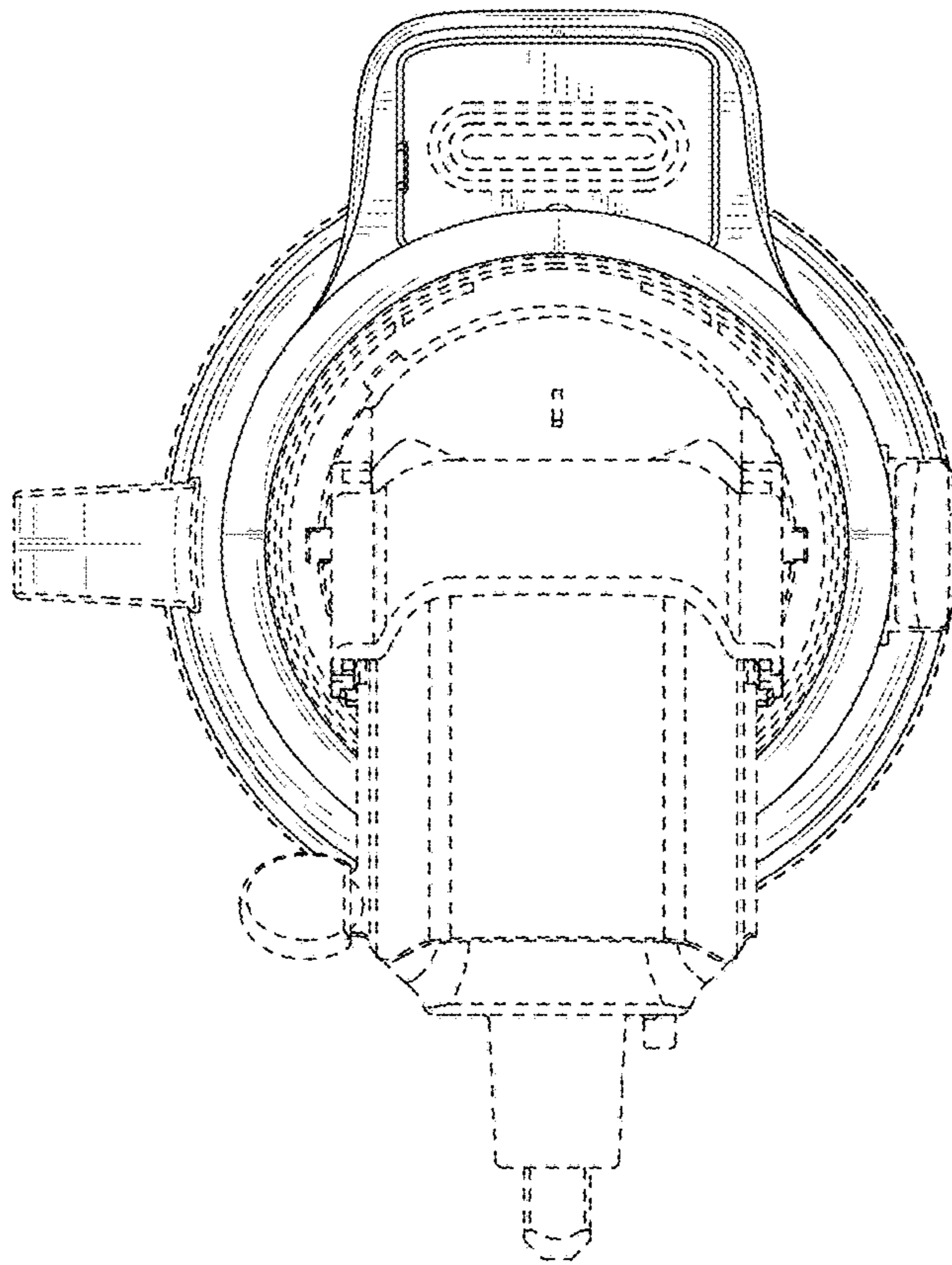


FIG. 8