



US00D851464S

(12) **United States Design Patent**
Mitchell

(10) **Patent No.:** **US D851,464 S**

(45) **Date of Patent:** **** Jun. 18, 2019**

(54) **FIXED BLADE KNIFE WITH CRUCIFORM HANDLE**

(71) Applicant: **Jeffrey T Mitchell**, Sanford, FL (US)

(72) Inventor: **Jeffrey T Mitchell**, Sanford, FL (US)

(**) Term: **15 Years**

(21) Appl. No.: **29/636,827**

(22) Filed: **Feb. 12, 2018**

(51) **LOC (11) Cl.** **07-03**

(52) **U.S. Cl.**
USPC **D7/649**

(58) **Field of Classification Search**
USPC D7/393-395, 401.2, 642-652, 693-696;
D8/93, 97-100, 107, 300, 321;
D22/117-118

CPC A01B 1/20; A01B 1/22; A22C 25/006;
A47G 21/06; A47G 21/065; A61B
17/3211; A61B 17/3213; B21D 53/64;
B25G 3/36; B26B 1/00; B26B 1/08;
B26B 1/10; B26B 3/00; B26B 3/02;
B26B 3/03; B26B 3/04; B26B 3/06;
B26B 5/00; B26B 5/001; B26B 5/007;
B26B 7/00; B26B 7/005; B26B 9/00;
B26B 9/02; B26B 11/00; B26B 11/006;
B26B 17/00; B26B 17/006; B26B 29/02

See application file for complete search history.

(56) **References Cited**

U.S. PATENT DOCUMENTS

D138,365 S * 7/1944 Baker 30/295
2,520,355 A * 8/1950 Bell B25G 1/102
16/430

D295,011 S * 4/1988 Herron D22/118
D302,092 S * 7/1989 Cohen D7/650
D372,648 S * 8/1996 Cohen D7/650
D581,241 S * 11/2008 Freeman D8/107
D582,243 S * 12/2008 Freeman D8/107
D610,646 S * 2/2010 Harsey, Jr. D22/118
D658,016 S * 4/2012 Grass D7/401.2
D672,842 S * 12/2012 Pelton D22/118
D784,485 S * 4/2017 Nawaz D22/118
D818,780 S * 5/2018 Davidson, III D7/649

* cited by examiner

Primary Examiner — Ricky Pham

(74) *Attorney, Agent, or Firm* — Jason T. Daniel, Esq.;
Daniel Law Offices, P.A.

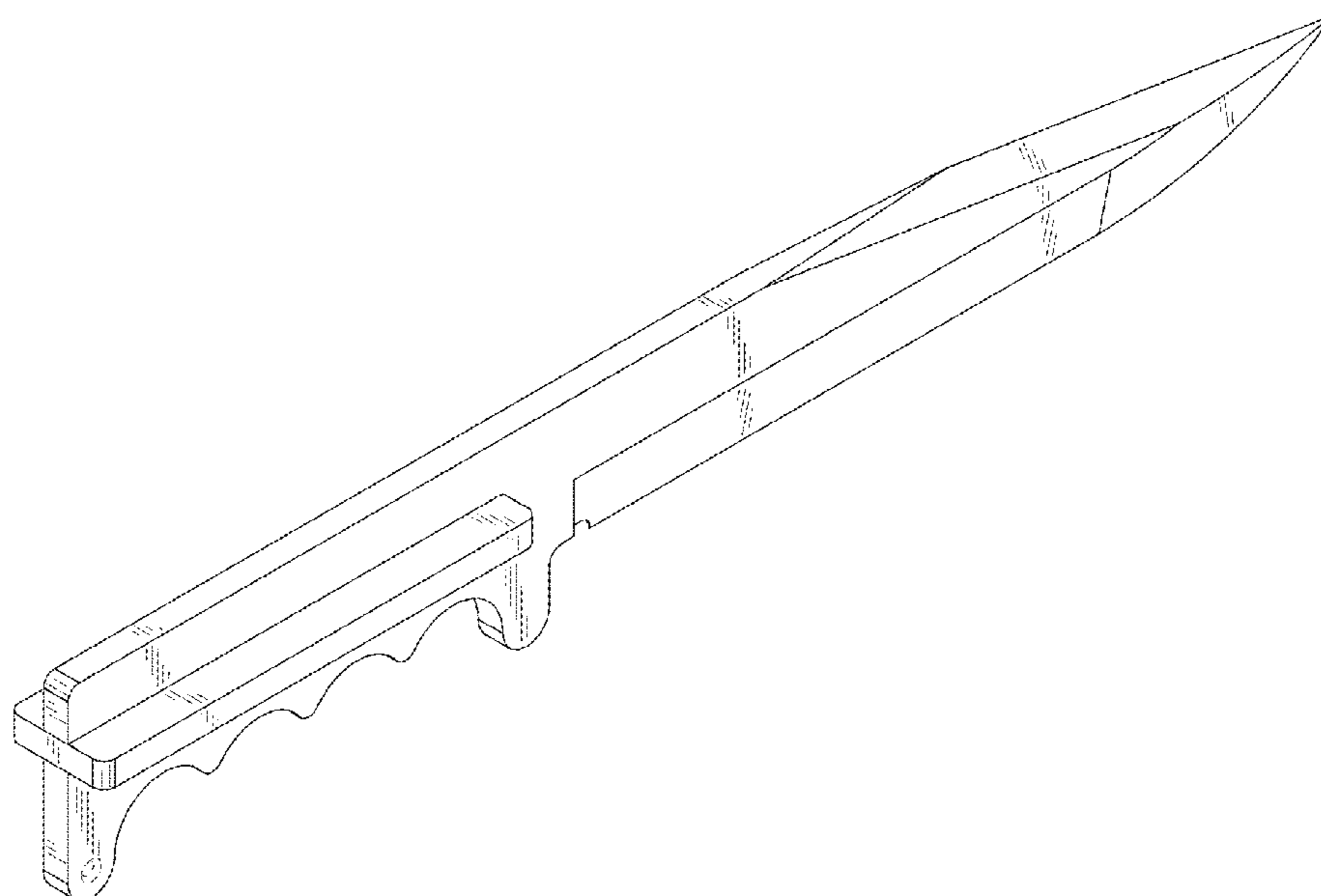
(57) **CLAIM**

The ornamental design for a fixed blade knife with cruciform handle, as shown and described.

DESCRIPTION

FIG. 1 is a perspective view of the front side thereof,
FIG. 2 is a top side view thereof,
FIG. 3 is a bottom side view thereof,
FIG. 4 is a right side view thereof,
FIG. 5 is a back side view thereof; and,
FIG. 6 is a front side view thereof.
The left side is symmetrical to the right side.

1 Claim, 2 Drawing Sheets



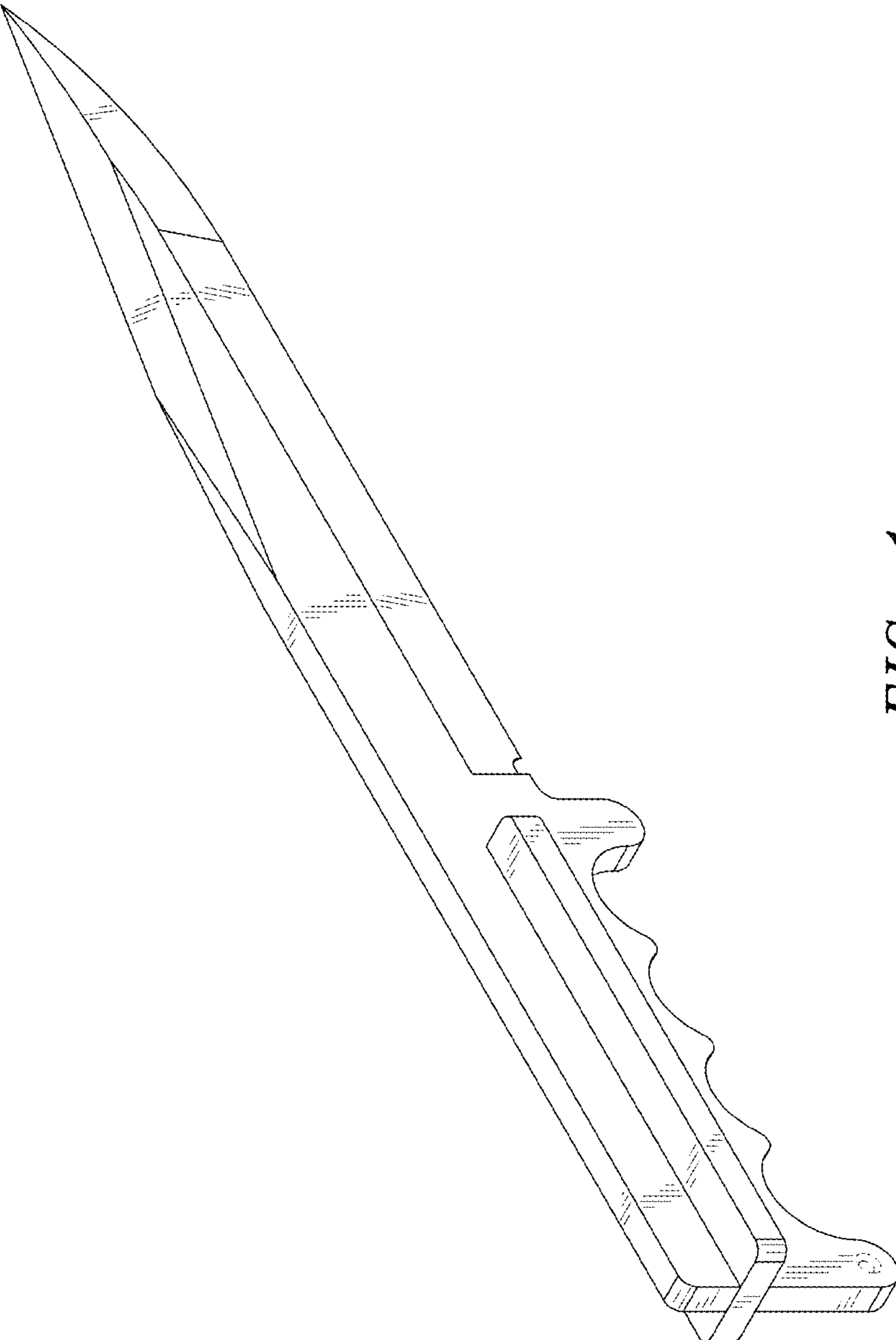


FIG. 1

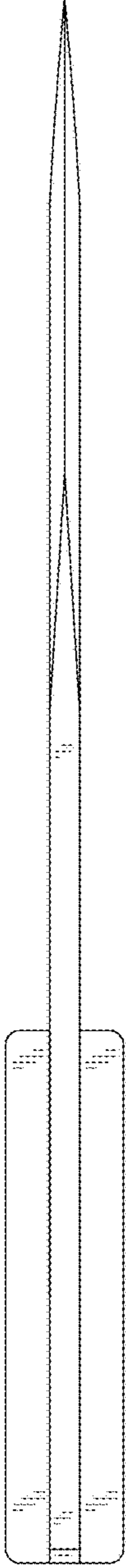


FIG. 2

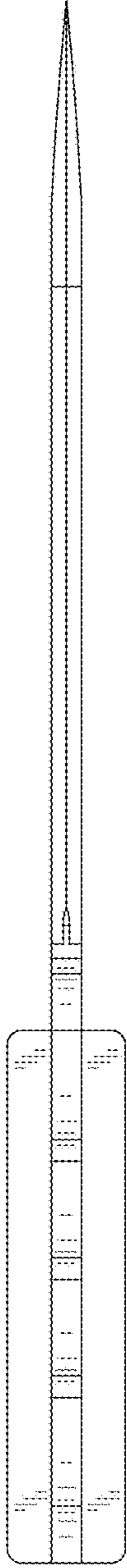


FIG. 3

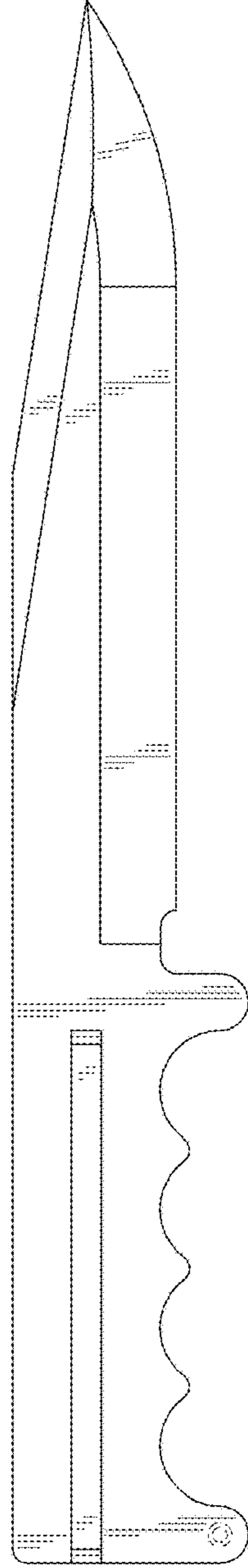


FIG. 4

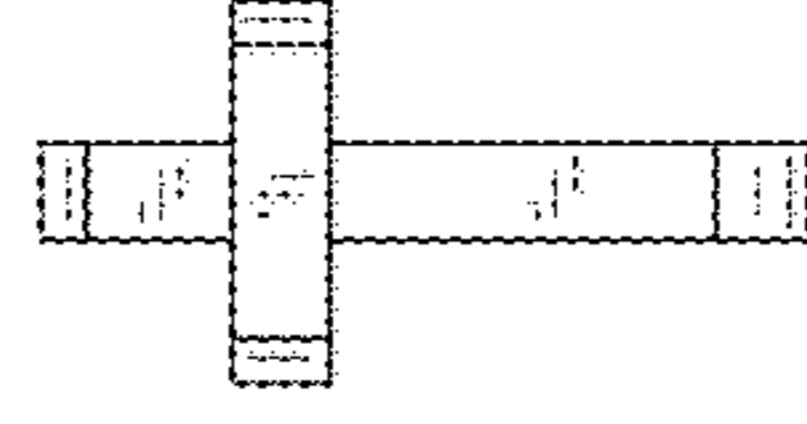


FIG. 5

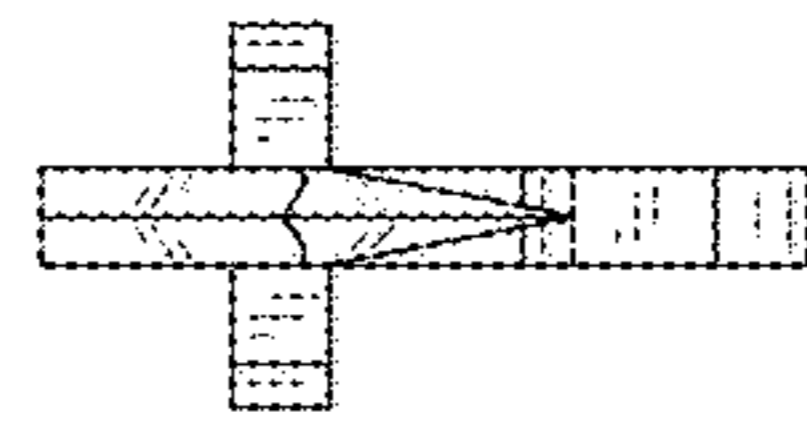


FIG. 6