



US00D851461S

(12) **United States Design Patent** (10) **Patent No.:** **US D851,461 S**
Dolinsky et al. (45) **Date of Patent:** **** Jun. 18, 2019**

(54) **STACKABLE SERVING TRAY**

OTHER PUBLICATIONS

(71) Applicant: **Remson Concepts, Inc.**, Tappan, NY (US)

Anonymous, Tray Bien; <http://www.traybiensolutions.com>, Accessed: Feb. 15, 2018.

(72) Inventors: **David Dolinsky**, Nyack, NY (US);
Reed Kimmel, Tappan, NY (US)

(Continued)

(73) Assignee: **Remson Concepts, Inc.**, Tappan, NY (US)

Primary Examiner — Kelley A Donnelly
(74) *Attorney, Agent, or Firm* — Werschulz Patent Law, LLC; Patricia P. Werschulz, Esq.

(**) Term: **15 Years**

(57) **CLAIM**

(21) Appl. No.: **29/668,414**

The ornamental design for a stackable serving tray, as shown and described.

(22) Filed: **Oct. 30, 2018**

DESCRIPTION

Related U.S. Application Data

(63) Continuation of application No. 29/657,466, filed on Jul. 23, 2018, now Pat. No. Des. 835,467.

(51) **LOC (11) Cl.** **07-01**

(52) **U.S. Cl.**
USPC **D7/553.6**

(58) **Field of Classification Search**
USPC D7/550.1, 553, 553.1, 553.2, 553.6,
D7/554.2, 601–602; D6/672, 677
(Continued)

FIG. 1 is a perspective view from above of a first embodiment of a stackable serving tray, showing my new design; FIG. 2 is a perspective view from below; FIG. 3 is a front elevational view thereof; FIG. 4 is a rear elevational view thereof; FIG. 5 is a top plan view thereof; FIG. 6 is a bottom plan view thereof; FIG. 7 is a right side elevational view thereof; and FIG. 8 is a left side elevational view thereof. FIG. 9 is a perspective view from above of a second embodiment of the stackable serving tray, showing my new design; FIG. 10 is a perspective view from below; FIG. 11 is a front elevational view thereof; FIG. 12 is a rear elevational view thereof; FIG. 13 is a top plan view thereof; FIG. 14 is a bottom plan view thereof; FIG. 15 is a right side elevational view thereof; and, FIG. 16 is a left side elevational view thereof. The broken lines showing in FIGS. 1 through 16 are for purposes of illustrating the environment of the article only and form no part of the claimed design.

(56) **References Cited**

U.S. PATENT DOCUMENTS

855,565 A * 6/1907 Greenhouse B65D 71/72
206/562

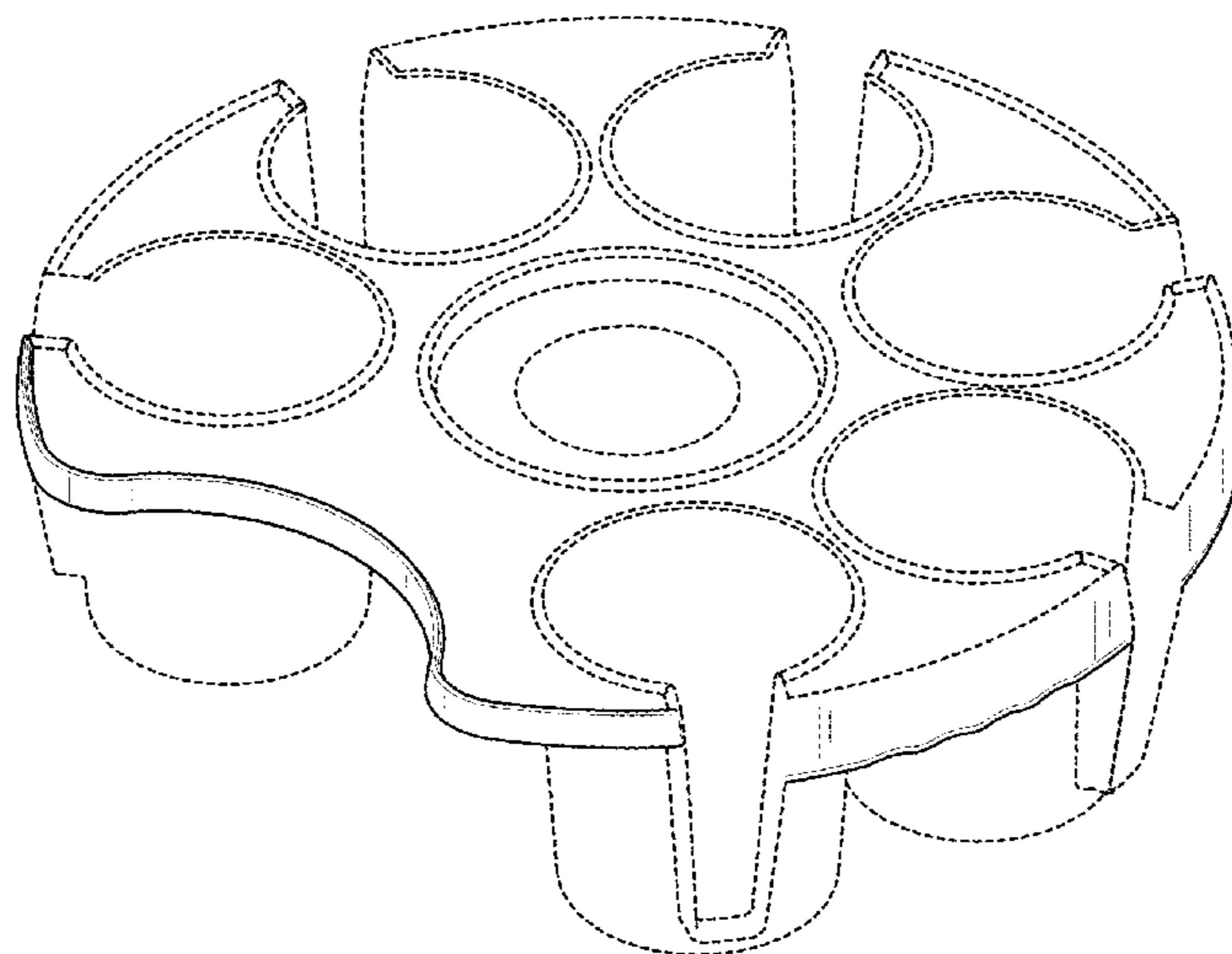
D20,928 S 12/1921 Van Kannel
(Continued)

FOREIGN PATENT DOCUMENTS

CA 32861 S 9/1970
CA 33568 A 2/1971

(Continued)

1 Claim, 10 Drawing Sheets



(58) **Field of Classification Search**
 CPC A47B 23/00; A47B 23/002; B65D 1/34;
 B65D 21/00; B65D 21/0204; A47G
 19/02; A47G 23/06; A47G 23/0641
 See application file for complete search history.

(56) **References Cited**

U.S. PATENT DOCUMENTS

D60,025 S 12/1921 Hoodwin
 1,469,596 A 10/1923 Hoodwin
 D93,210 S * 9/1934 Friedlander D7/706
 2,281,849 A * 5/1942 McCoppin A47G 23/025
 101/407.1
 2,920,804 A 1/1960 Minton
 3,162,344 A 12/1964 Raymond
 3,949,876 A * 4/1976 Bridges B65D 1/36
 206/427
 3,964,629 A * 6/1976 McCabe A47G 23/0208
 220/23.86
 D252,066 S 6/1979 Jeambey
 D269,935 S * 8/1983 Powers D7/357
 D286,250 S 10/1986 Prescott
 D292,161 S * 10/1987 Spolter D7/553.6
 D293,640 S 1/1988 Perry et al.
 4,718,555 A 1/1988 Amberg
 D297,799 S 9/1988 Hammer
 D303,194 S 9/1989 Darby et al.
 4,899,881 A 2/1990 Girard et al.
 4,991,713 A 2/1991 Phillips
 5,118,063 A * 6/1992 Young, Sr. A47G 23/06
 248/311.2
 5,249,700 A 10/1993 Dumke
 D344,436 S 2/1994 Walls et al.
 5,292,028 A 3/1994 Patterson et al.
 D349,425 S 8/1994 Kays et al.
 D353,977 S 1/1995 Muschett
 D363,644 S 10/1995 Wyatt et al.
 D376,928 S 12/1996 Lorenzana et al.
 D378,038 S * 2/1997 Gaines D7/551.1
 D378,477 S 3/1997 Sussman
 D382,727 S 8/1997 Kresge et al.
 D389,020 S 1/1998 Lajoie
 D393,775 S 4/1998 Otero
 D399,704 S 10/1998 Cousins
 D413,488 S 9/1999 Foley
 6,113,049 A * 9/2000 Miljanich B60N 3/103
 248/311.2
 D459,950 S 7/2002 Bush et al.
 D469,659 S 2/2003 Gale
 6,752,288 B1 6/2004 Swift
 D529,764 S * 10/2006 Schalk D7/553.6
 D534,816 S 1/2007 Newton
 D557,072 S 12/2007 Lim
 D563,726 S 3/2008 Fraser
 D591,560 S 5/2009 Lackey et al.
 D601,343 S * 10/2009 Franczyk D3/313
 D623,478 S 9/2010 Hayashi
 D624,360 S * 9/2010 Leavelle D7/501
 D625,960 S 10/2010 Lipfert et al.
 D626,335 S * 11/2010 Sime D3/313
 D628,449 S 12/2010 Kulzer et al.
 D631,203 S * 1/2011 Hall D28/73
 D651,048 S * 12/2011 Gold D7/553.6
 D653,049 S 1/2012 Goldszer
 8,146,737 B2 4/2012 D'Agostino
 D704,854 S 5/2014 Wainwright et al.
 D705,618 S * 5/2014 Reid, Jr. D7/701
 D708,062 S 7/2014 Navarro
 D710,123 S 8/2014 Wright
 8,973,796 B1 3/2015 Abusaoud et al.

D731,247 S 6/2015 Kamei et al.
 D731,249 S 6/2015 Keeth
 D734,099 S 7/2015 Fissell
 D737,104 S * 8/2015 Sobotka D7/554.2
 D742,178 S 11/2015 Shames
 D743,756 S * 11/2015 Brandon D7/707
 D766,665 S 9/2016 Shames
 D769,676 S * 10/2016 Alleyne D7/553.8
 D770,857 S * 11/2016 Davidson, IV D7/553.6
 D770,870 S * 11/2016 Nash D7/551.1
 D776,485 S 1/2017 Bradley
 D779,887 S 2/2017 Alleyne
 D783,177 S 4/2017 Kawamura
 D793,799 S 8/2017 Dunne
 D798,677 S 10/2017 Paternostre et al.
 D799,340 S 10/2017 Shoshan et al.
 D804,325 S 12/2017 Thompson
 9,839,311 B2 12/2017 Shames
 D808,222 S 1/2018 Shames
 D810,959 S 2/2018 Langhoff et al.
 D819,408 S * 6/2018 Floco D7/553.6
 D833,828 S * 11/2018 Floco D7/553.4
 D834,894 S * 12/2018 Allen D7/554.2
 2002/0027366 A1 3/2002 Bieri
 2003/0141424 A1 * 7/2003 Thomas B60N 3/103
 248/311.2
 2009/0120832 A1 * 5/2009 Munden A47G 23/0625
 206/561
 2015/0230643 A1 8/2015 Kamei et al.

FOREIGN PATENT DOCUMENTS

CN 3458160 7/2005
 CN 201536943 U 8/2010
 CN 103054434 A 4/2013
 CN 202932630 U 5/2013
 CN 304465319 1/2018
 CN 304465320 1/2018
 DE 202008001450 U1 6/2008
 EM 00000076950001 6/2003
 EM 00004086950001 11/2005
 EM 00004382470005 12/2005
 EM 00008881020001 3/2008
 EM 00015982020001 8/2009
 EM 00017400690003 9/2010
 EM 00024292820002 6/2014
 EM 00024931140001 7/2014
 FR 2865124 A1 7/2005
 GB 205038 A 3/1996
 GB 2338402 A 12/1999
 GB 3017536 2/2006
 IL 43704 1/2009
 IL 48439 10/2011
 IL 49780 7/2012
 JP D1158044 11/2002
 JP D1358998 5/2009
 JP D1575108 5/2017
 WO 200534694 A1 4/2005

OTHER PUBLICATIONS

Anonymous, Vintage Minnesota pine cone theme metal beverage serving tray souvenir; <https://www.ebay.ca/itm/VINTAGE-MINNESOTA-PINE-CONE-THEME-METAL-BEVERAGE-SERVING-TRAY-SOUVENIER/332527280569?hash=item4d6c2ba1b9:g:oMsAAOSw8gVYACJD>; Accessed: Feb. 15, 2018.
 Anonymous, Vintage Pennsylvania tin drink serving tray souvenir with flowers, ETSY, URL: <https://www.etsy.com/in-en/listing/491888539/vintage-pennsylvania-tin-drink-serving?>, Published/ Accessed: Feb. 15, 2018.

* cited by examiner

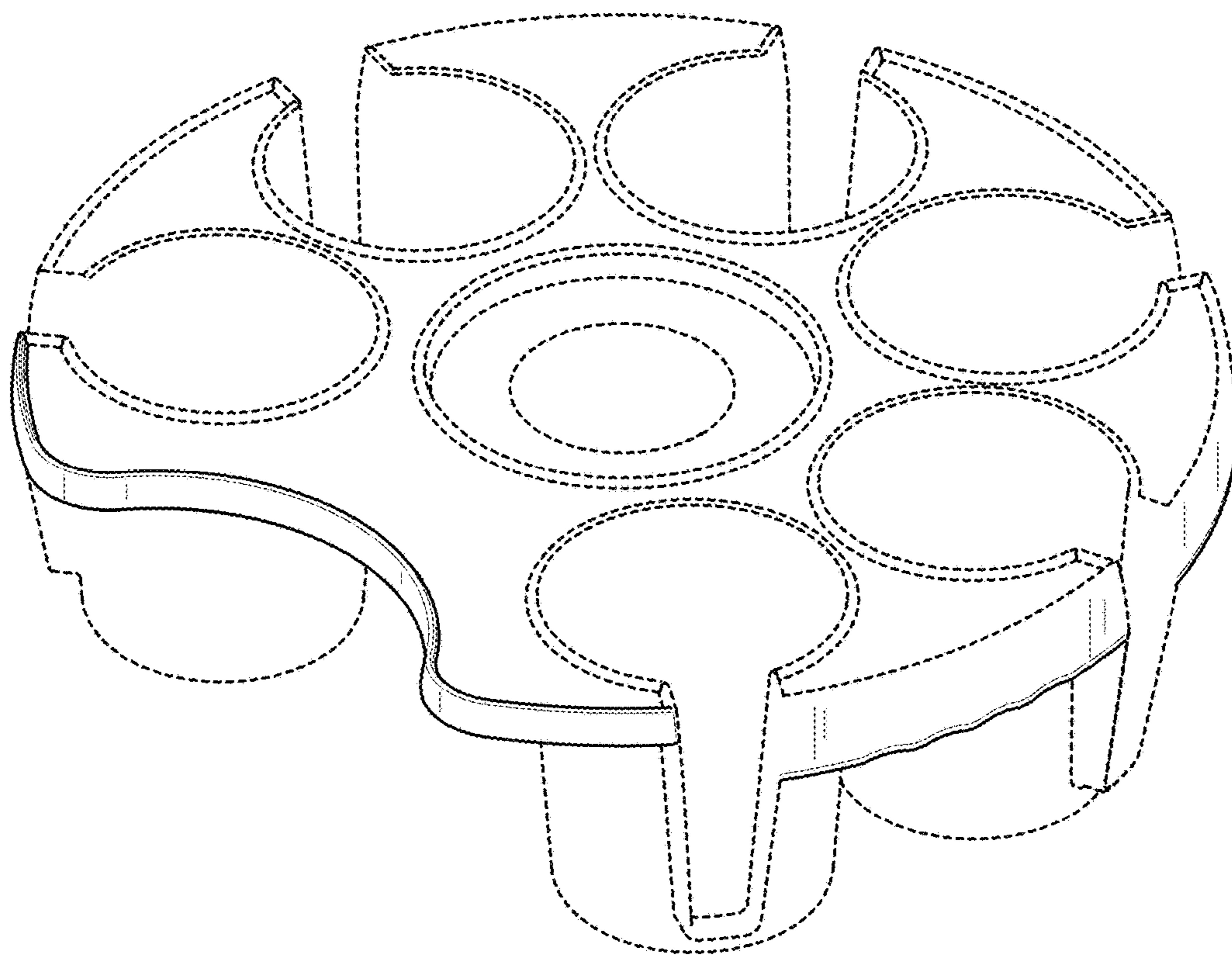


FIG. 1

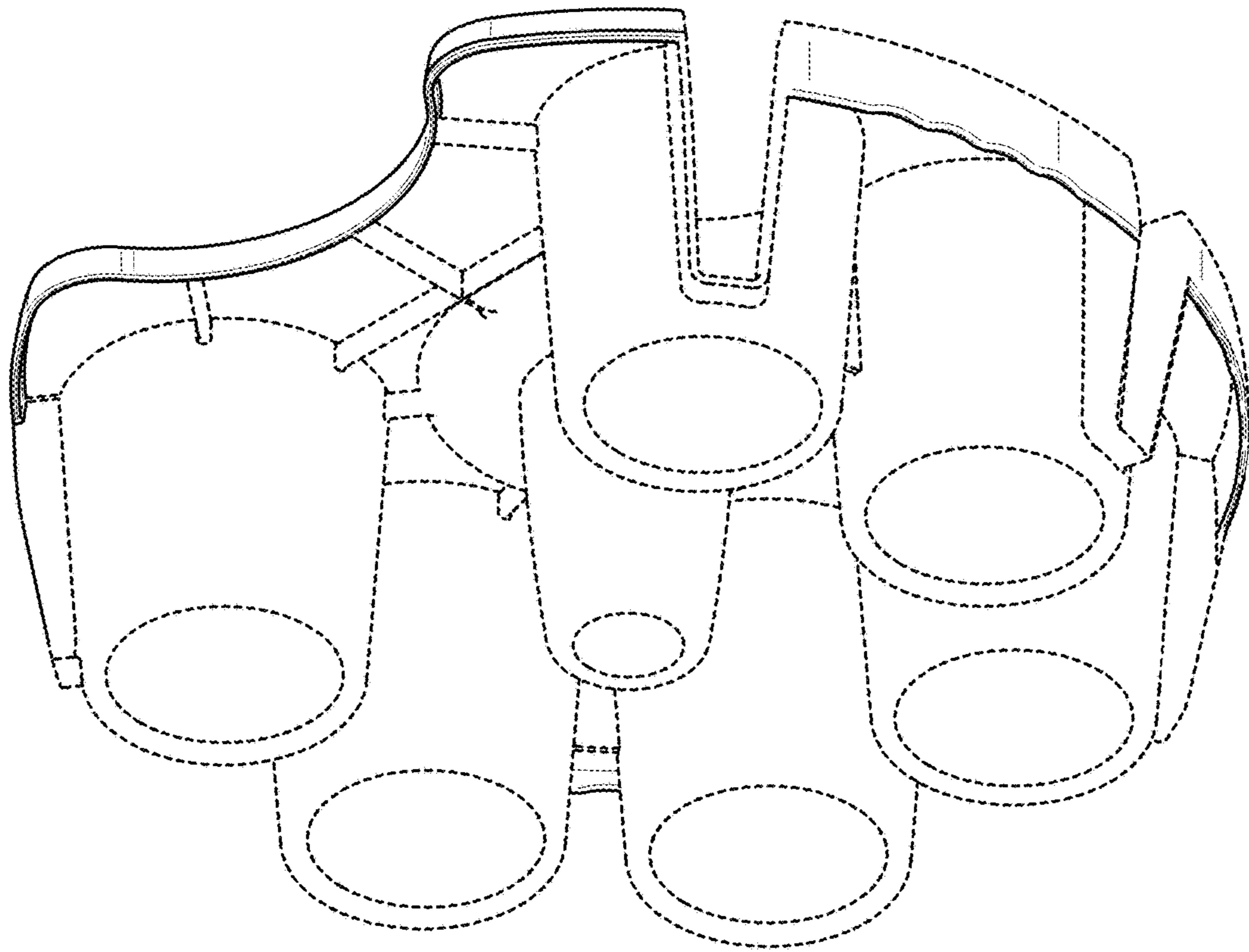


FIG. 2

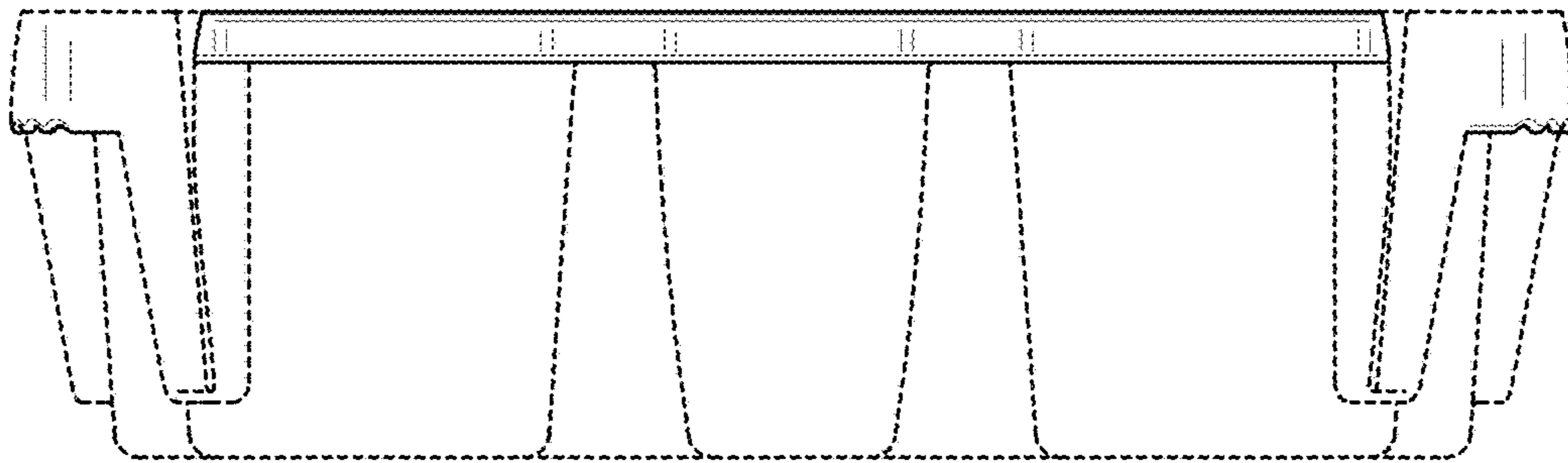


FIG. 3

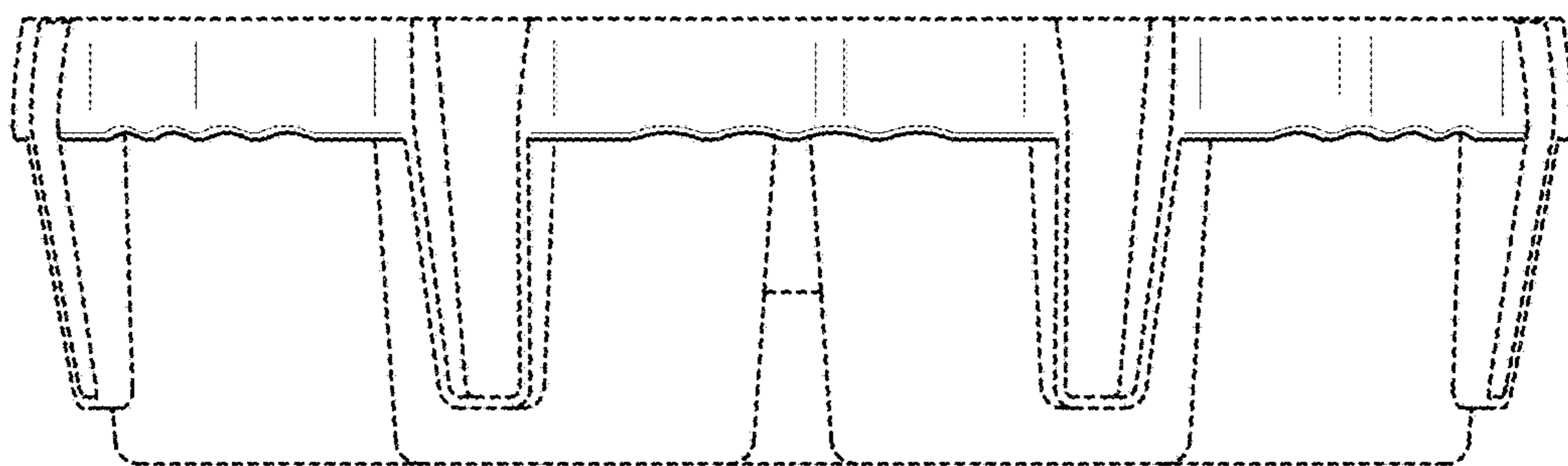


FIG. 4

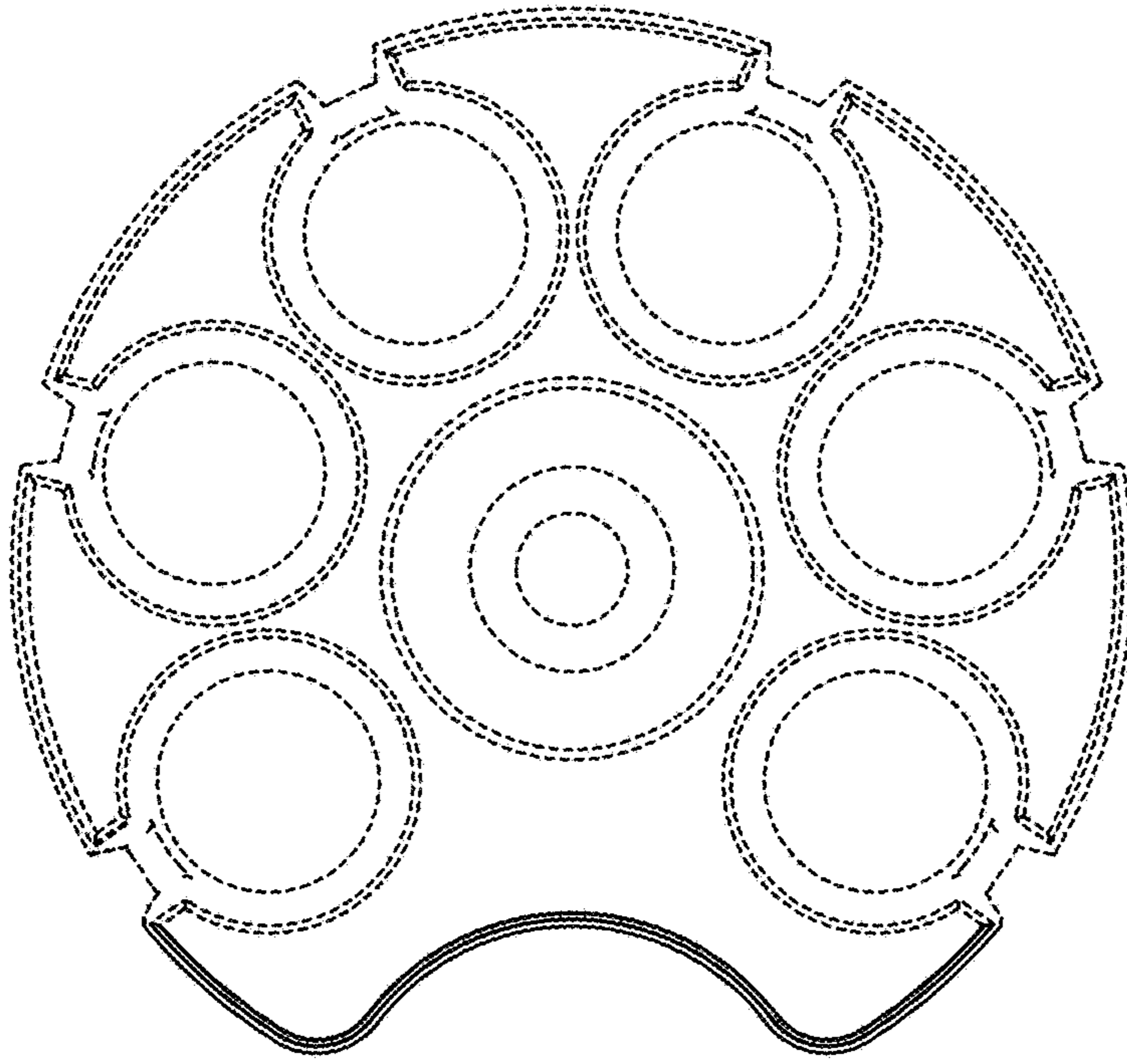


FIG. 5

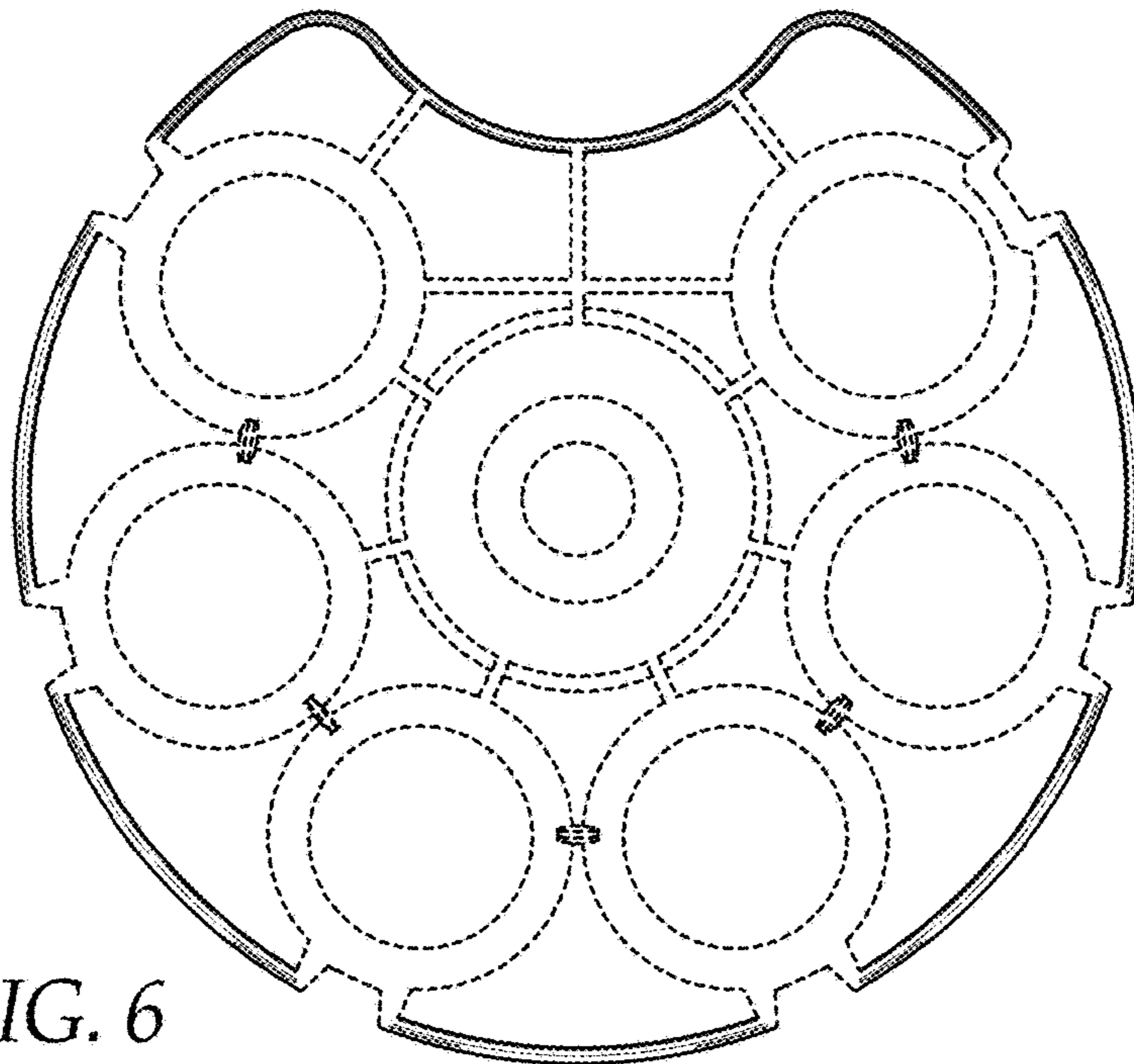


FIG. 6

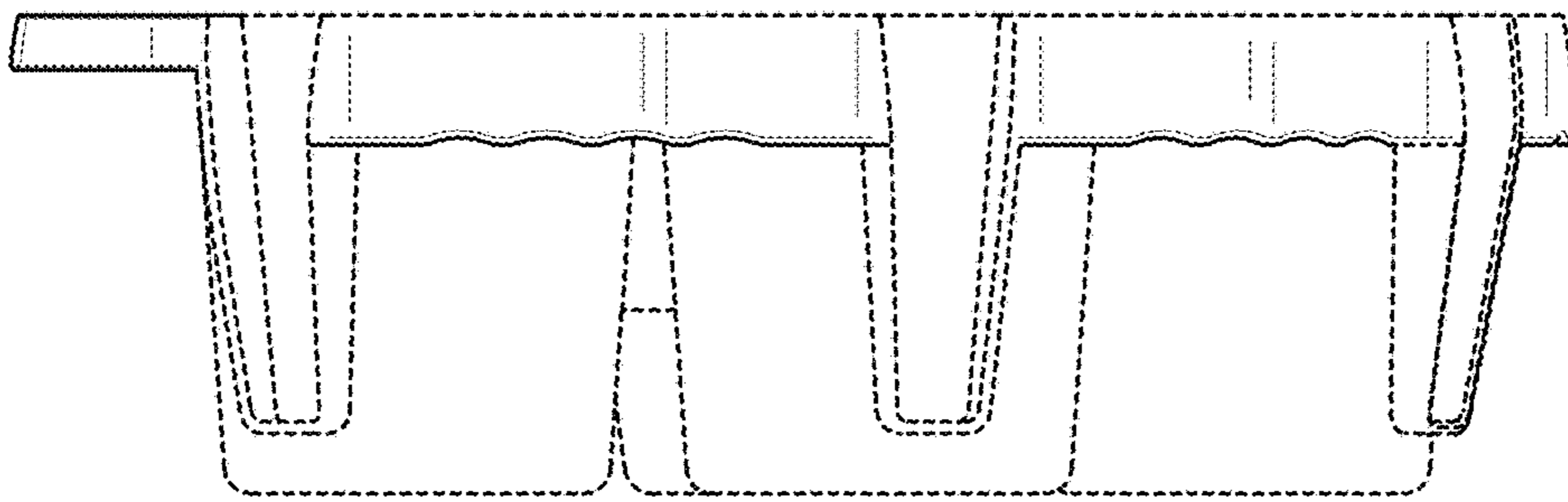


FIG. 7

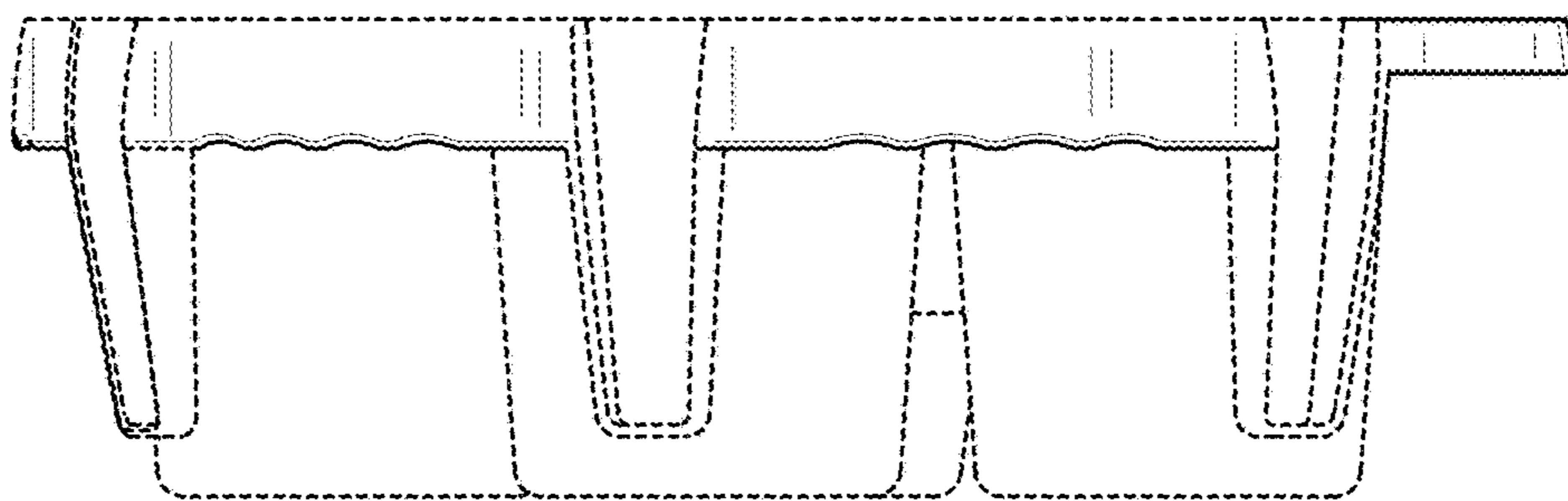


FIG. 8

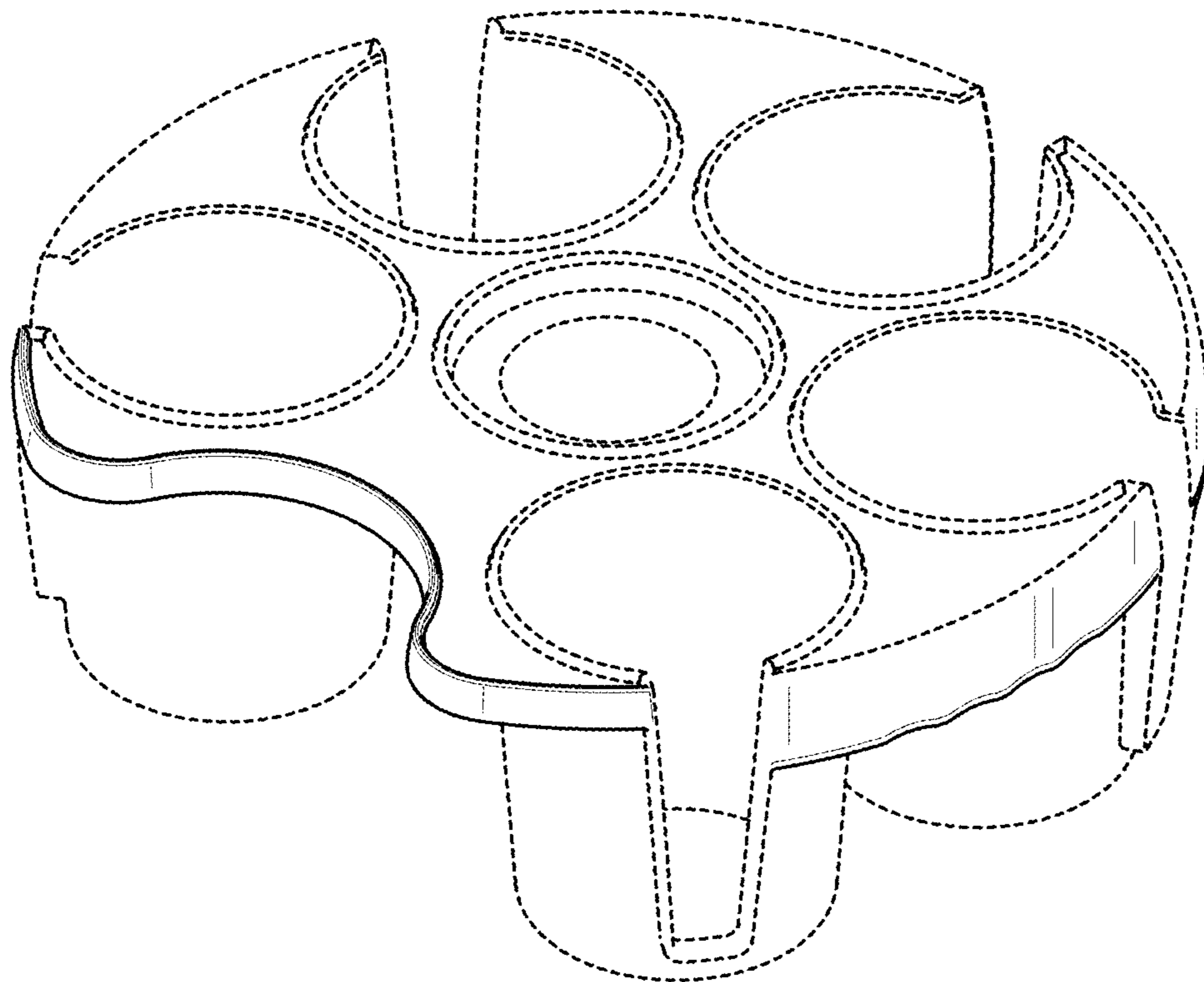


FIG. 9

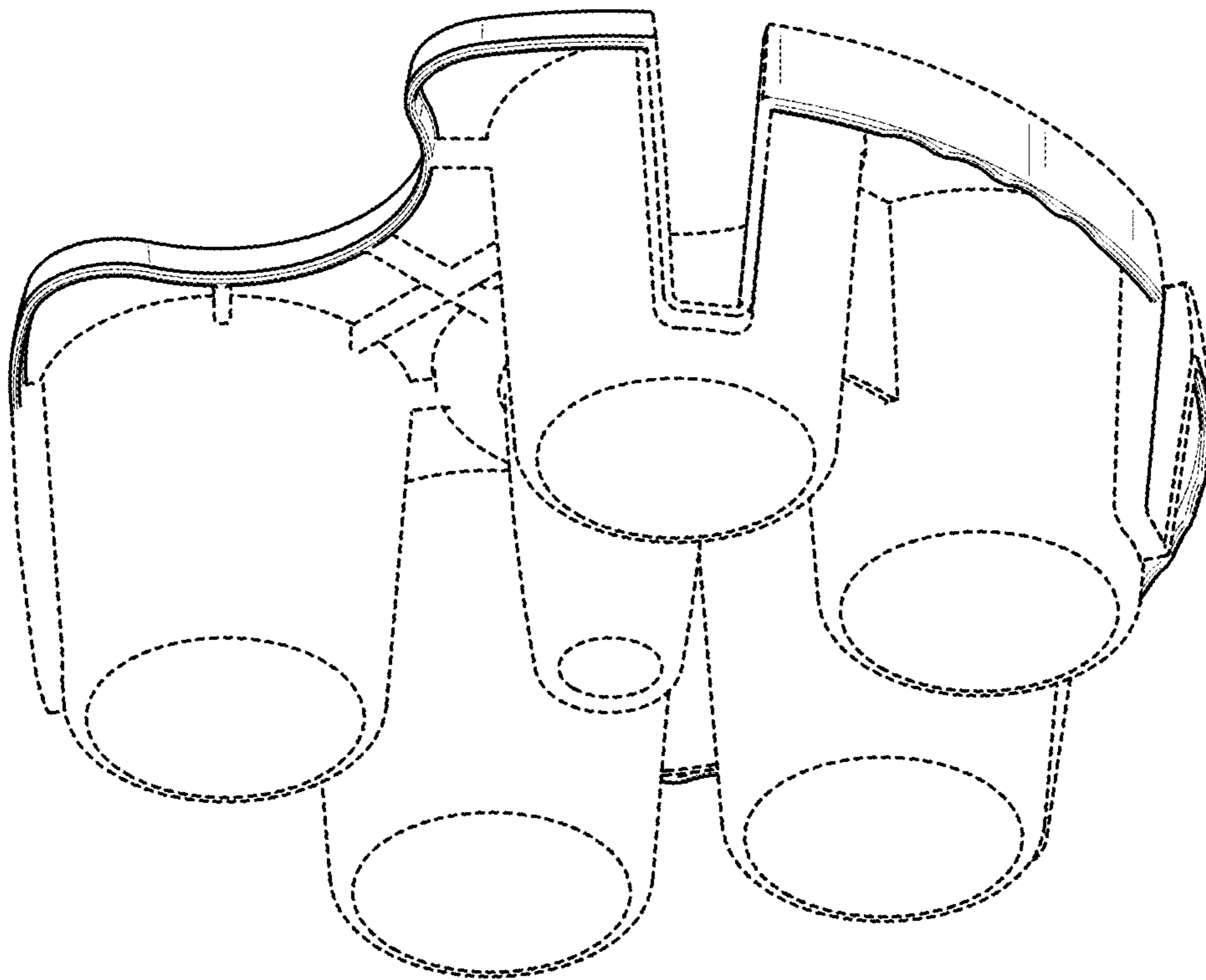


FIG. 10

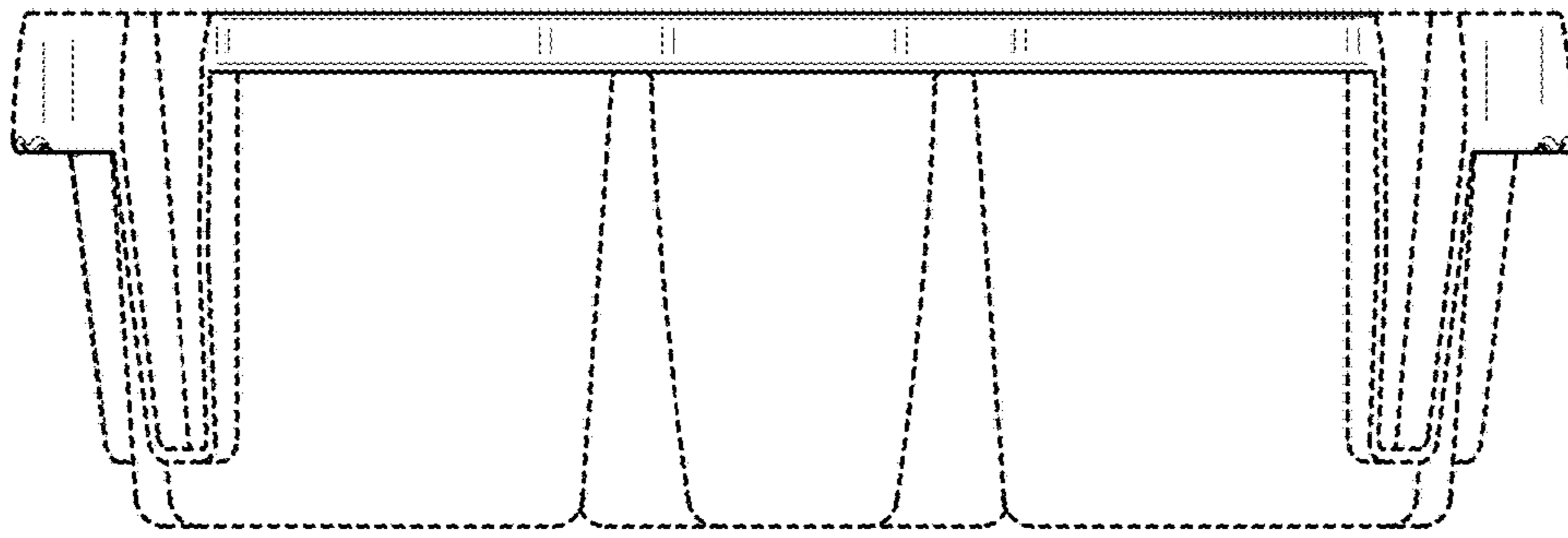


FIG. 11

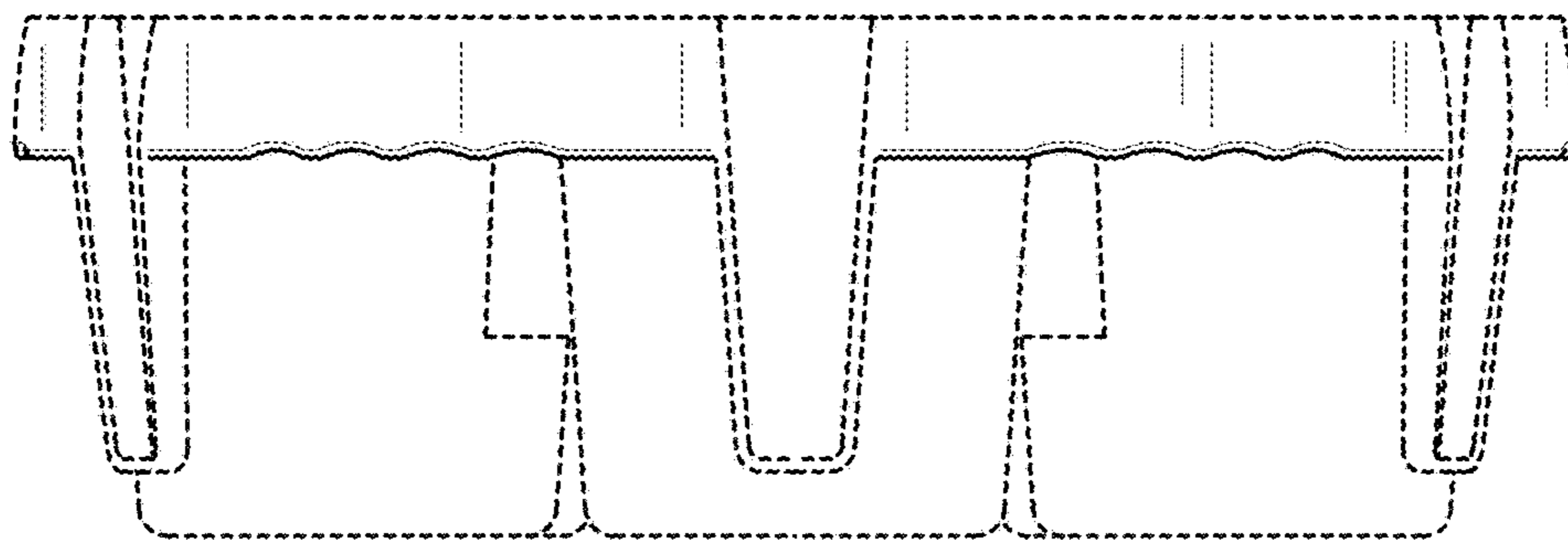


FIG. 12

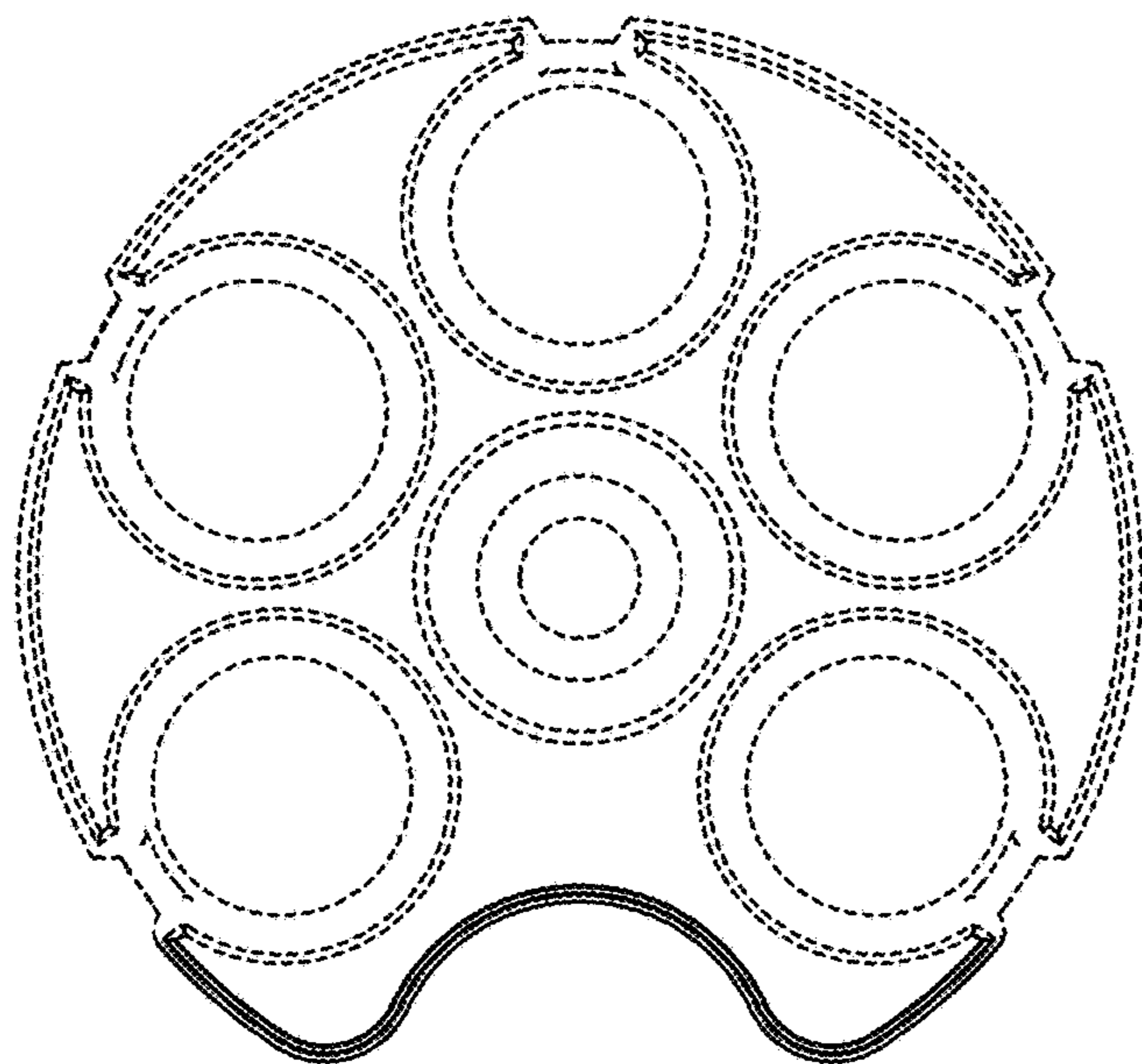


FIG. 13

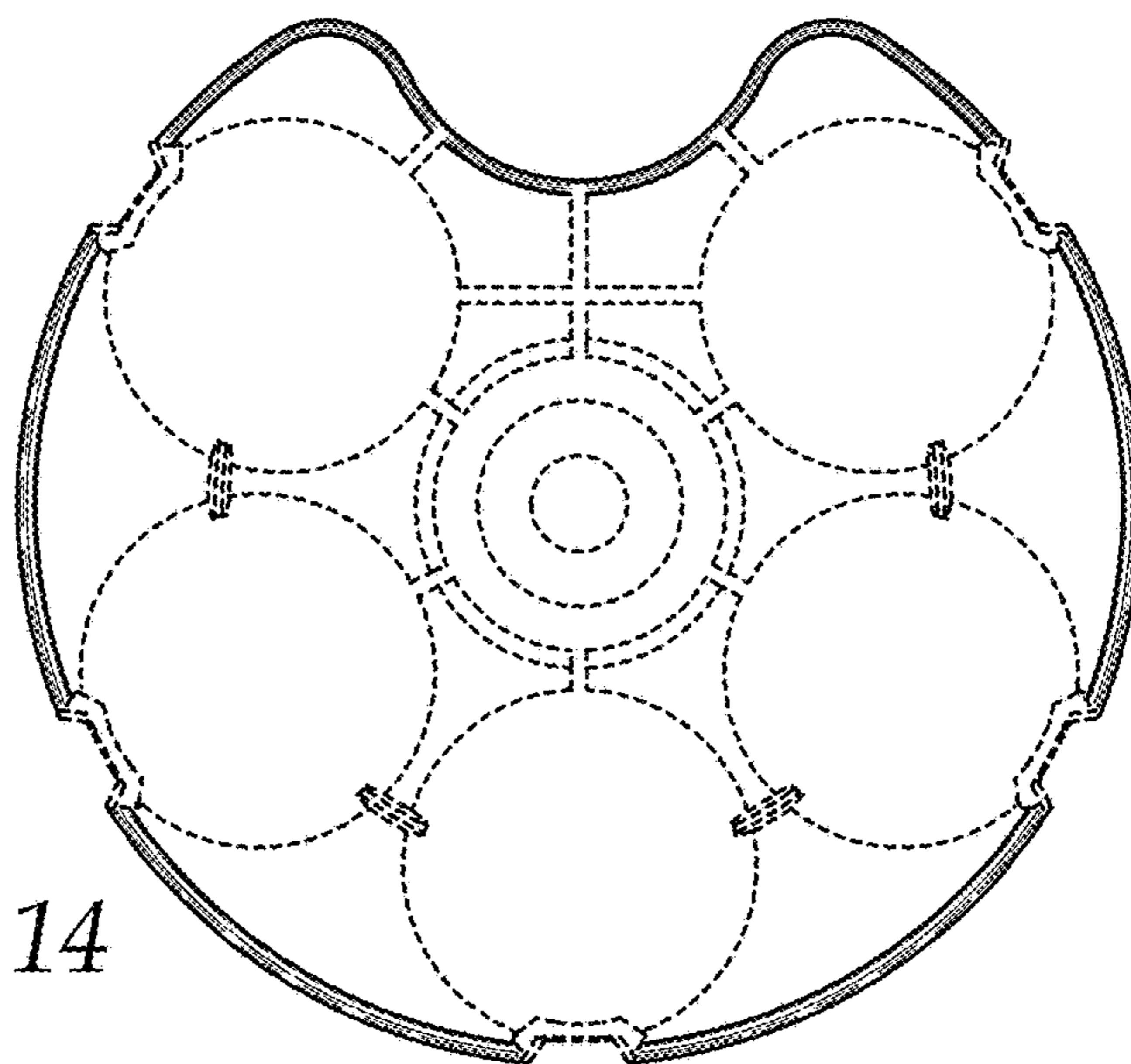


FIG. 14

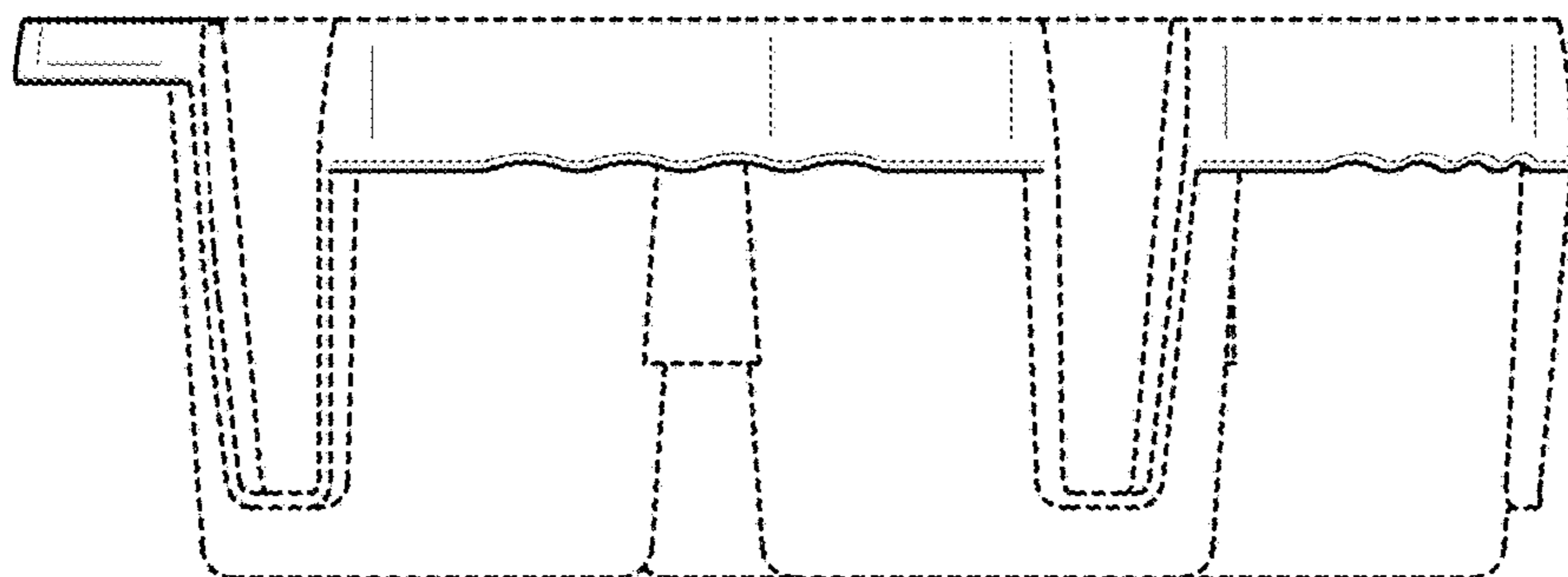


FIG. 15

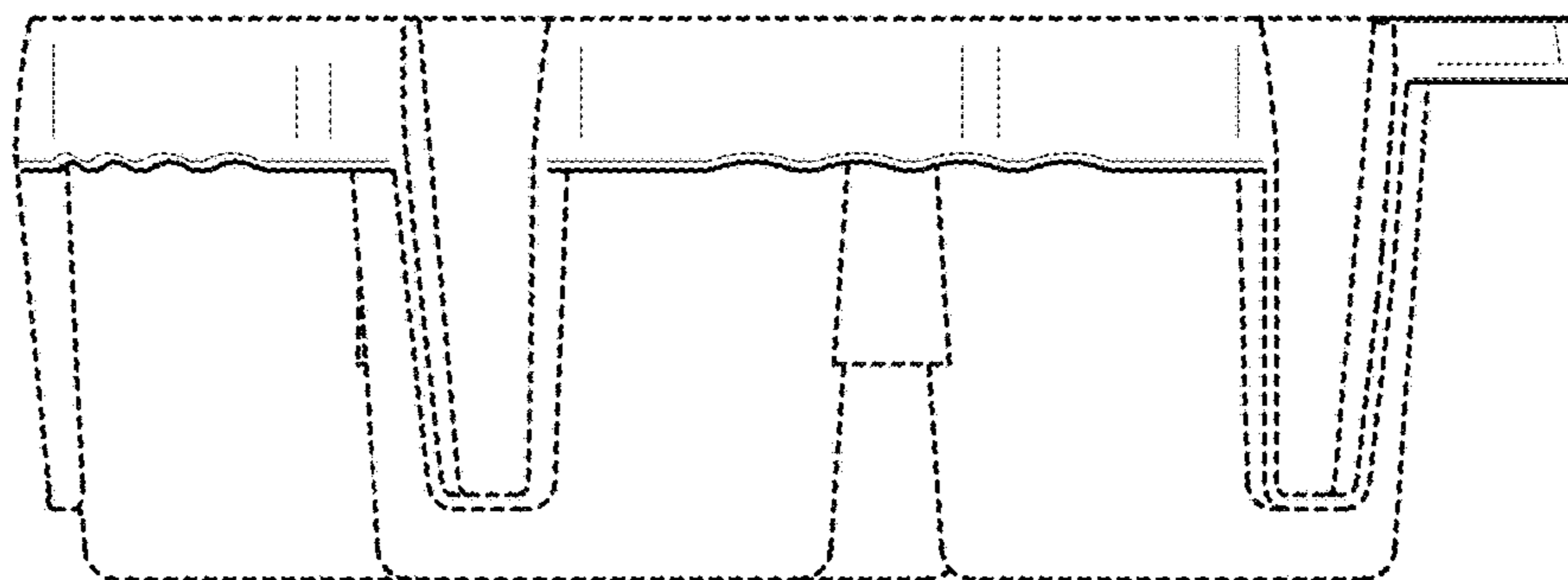


FIG. 16