



US00D851460S

(12) **United States Design Patent**
Merten et al.

(10) **Patent No.:** **US D851,460 S**
(45) **Date of Patent:** **** Jun. 18, 2019**

(54) **MUG**

(71) Applicant: **M Group, Inc.**, Manitowoc, WI (US)

(72) Inventors: **David J. Merten**, Manitowoc, WI (US);
Jay Z. Muchin, Manitowoc, WI (US);
Michael S. Potempa, Freeport, IL (US);
Brian S. Potempa, Freeport, IL (US)

(73) Assignee: **M Group, Inc.**, Manitowoc, WI (US)

(**) Term: **15 Years**

(21) Appl. No.: **29/590,979**

(22) Filed: **Jan. 14, 2017**

Related U.S. Application Data

(63) Continuation of application No. 15/073,532, filed on Mar. 17, 2016.

(51) **LOC (11) Cl.** **07-01**

(52) **U.S. Cl.**
USPC **D7/533; D7/510; D7/511; D7/393; D7/622**

(58) **Field of Classification Search**

USPC D7/507, 509, 510, 511, 523, 529, 530, D7/531, 532, 533, 536, 300.1, 300.2, D7/396.4, 393, 622; 220/592.16, 592.17, 220/495.03; D9/503, 504; D12/543, 539, D12/542, 540, 544, 548; D5/47, 58, 56, D5/59

CPC A47G 19/22; A47G 19/2205; A47G 19/02; A47G 19/00; A47J 43/27

See application file for complete search history.

(56) **References Cited**

U.S. PATENT DOCUMENTS

430,596 A 6/1890 Welteroth
D53,143 S * 3/1919 Wiener D12/539
4,303,173 A 12/1981 Nergard
D299,332 S * 1/1989 Carretta D12/602

5,320,232 A 6/1994 Maquire et al.
5,551,592 A 9/1996 Barton et al.
5,918,761 A 7/1999 Wissinger
D439,473 S * 3/2001 Lin D7/510
6,352,166 B1 3/2002 Copeland
D512,269 S * 12/2005 Trombly D7/510
D518,998 S * 4/2006 Lipson D7/507

(Continued)

FOREIGN PATENT DOCUMENTS

DE 3837477 10/1990

OTHER PUBLICATIONS

www.Bigstockphoto.com Tin Eye result Jun. 26, 2015.*
<https://www.alamy.com/stock-photo-vector-seamless-chevron-diagonal-half-tone-gradient-geometric-pattern-116577005.html> Jul. 22, 2016
Vector Image.*

Primary Examiner — Marianne N Pandozzi

Assistant Examiner — Jae Liang

(74) *Attorney, Agent, or Firm* — Rathe Lindenbaum LLP

(57) **CLAIM**

We claim the ornamental design for a mug, as shown and described.

DESCRIPTION

FIG. 1 is a front perspective view of a mug showing our new design;

FIG. 2 is a front view thereof;

FIG. 3 is a rear view thereof;

FIG. 4 is a left side view thereof;

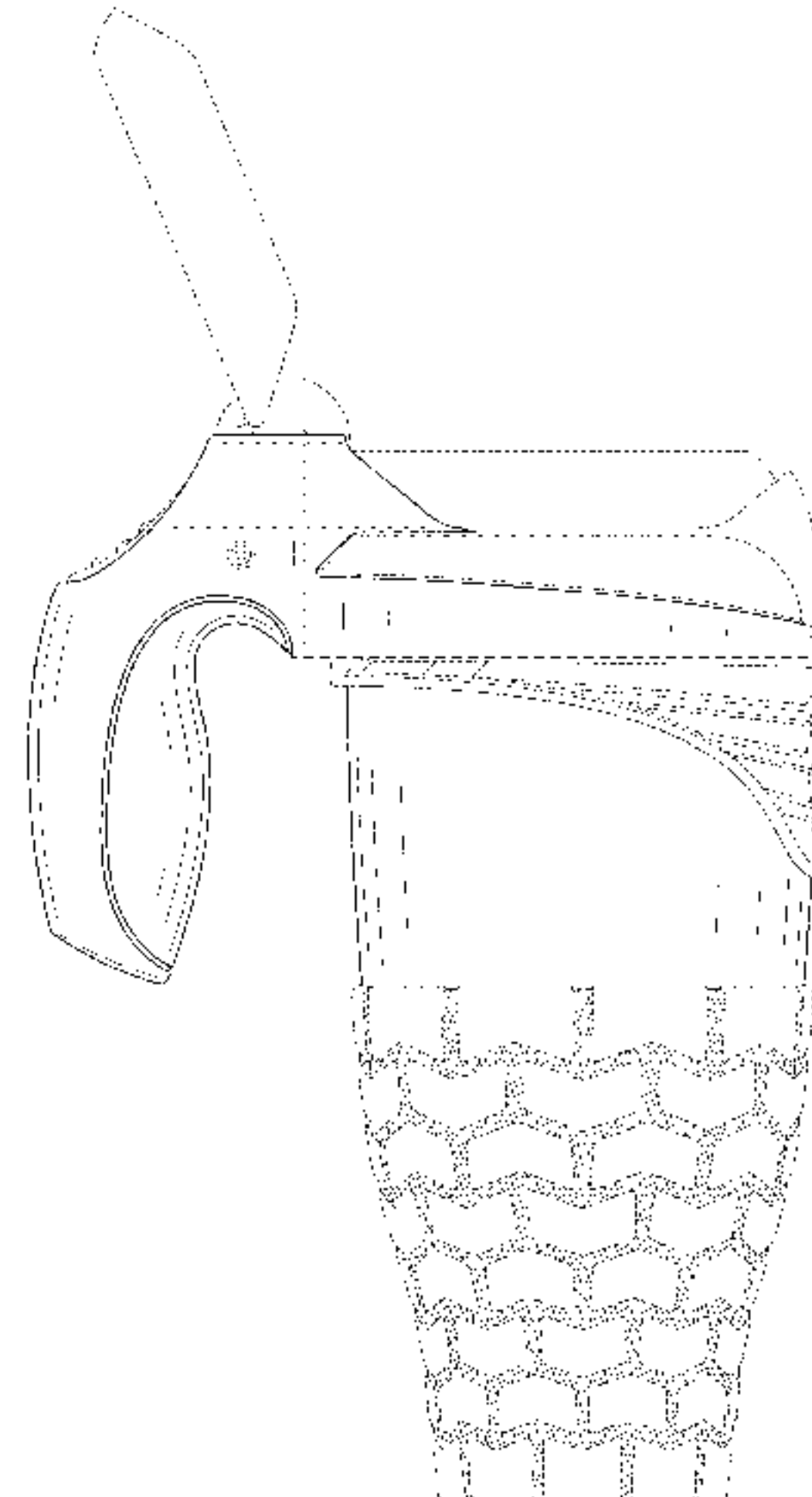
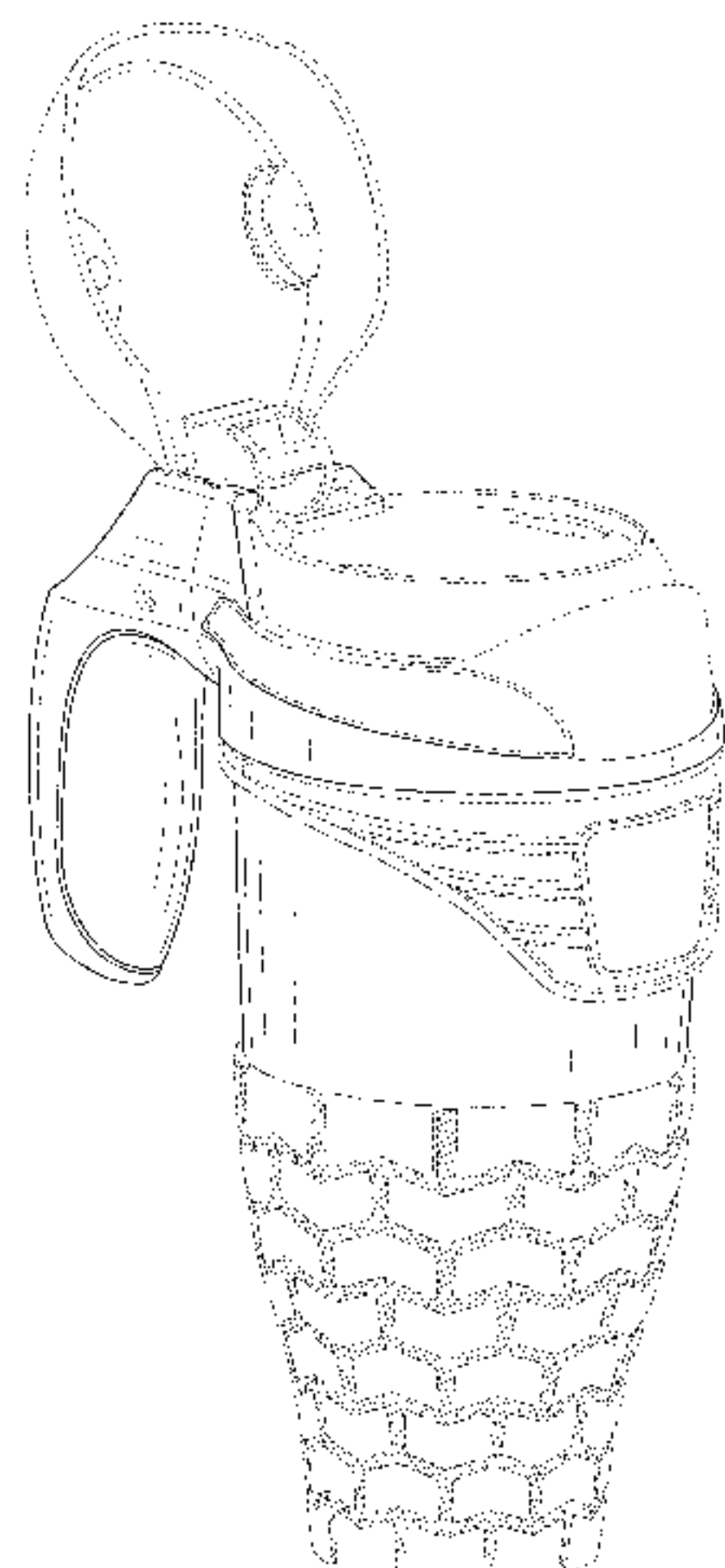
FIG. 5 is a right side view thereof;

FIG. 6 is a top view thereof; and,

FIG. 7 is a bottom view thereof.

The broken lines in the drawings depict portions of the mug that form no part of the claimed design. The dot dash lines in the drawings represent the bounds of the claims and form no part of the claimed design. The stippling in the drawing shows contrast in appearance.

1 Claim, 7 Drawing Sheets



(56)

References Cited

U.S. PATENT DOCUMENTS

7,147,192 B2 12/2006 Kong
 7,194,951 B1 3/2007 Porter
 D539,609 S * 4/2007 Ying D7/510
 D545,128 S * 6/2007 Liu D7/507
 D548,524 S * 8/2007 Meehan D7/507
 D555,076 S * 11/2007 Sakakibara D12/544
 7,306,113 B2 12/2007 El-Saden et al.
 7,422,184 B2 9/2008 Carnevali
 D598,242 S * 8/2009 Kusher D7/507
 D600,071 S * 9/2009 Carreno D7/509
 D600,633 S * 9/2009 Lo D12/544
 7,740,147 B1 6/2010 Gilbert
 D622,968 S * 9/2010 Mercer D5/59
 7,900,798 B1 3/2011 Allen
 8,061,670 B1 11/2011 White
 D683,186 S * 5/2013 Tobias D7/510
 D690,814 S * 10/2013 Bizzell D24/162

D698,602 S * 2/2014 Beller D7/396.2
 D729,014 S * 5/2015 Nemeth D7/533
 D752,731 S * 3/2016 Ansley D23/366
 D752,732 S * 3/2016 Ansley D23/366
 D763,043 S * 8/2016 Stevens D7/509
 D772,651 S * 11/2016 Leonard D7/510
 D774,828 S * 12/2016 Miller D7/523
 D777,452 S * 1/2017 Toronjo D5/56
 D777,513 S * 1/2017 Nguyen D7/400
 D792,155 S * 7/2017 Stover D7/510
 D794,390 S * 8/2017 Boettcher Sebben D7/510
 2002/0179615 A1 12/2002 Hakim
 2006/0255049 A1 * 11/2006 McCarthy A47G 19/2205
 220/703
 2010/0038368 A1 * 2/2010 Larreau A47J 41/0061
 220/592.17
 2011/0062154 A1 3/2011 Rhee
 2013/0098933 A1 4/2013 Del-Solar et al.
 2014/0158848 A1 6/2014 Caruso et al.
 2016/0270569 A1 * 9/2016 Merten A47G 19/2205

* cited by examiner

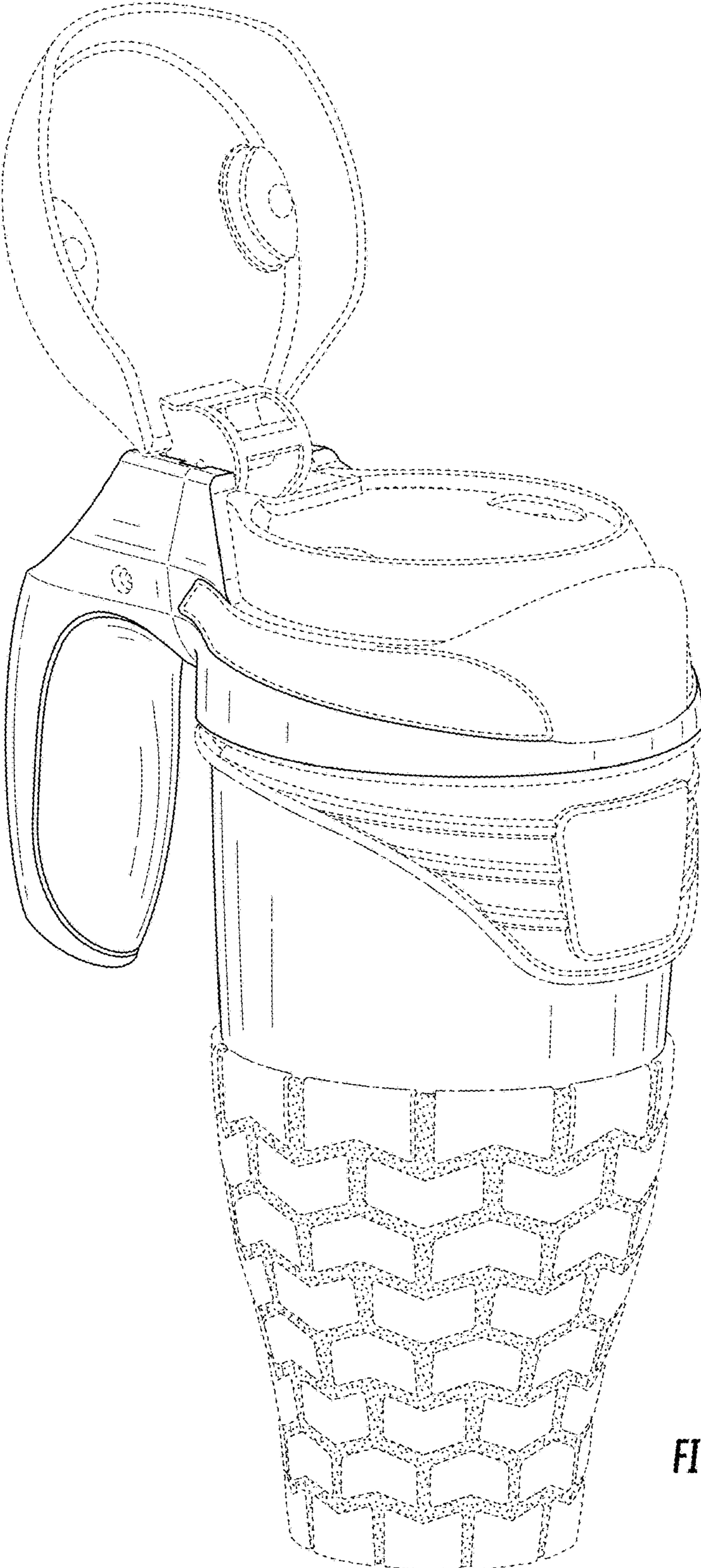


FIG. 1

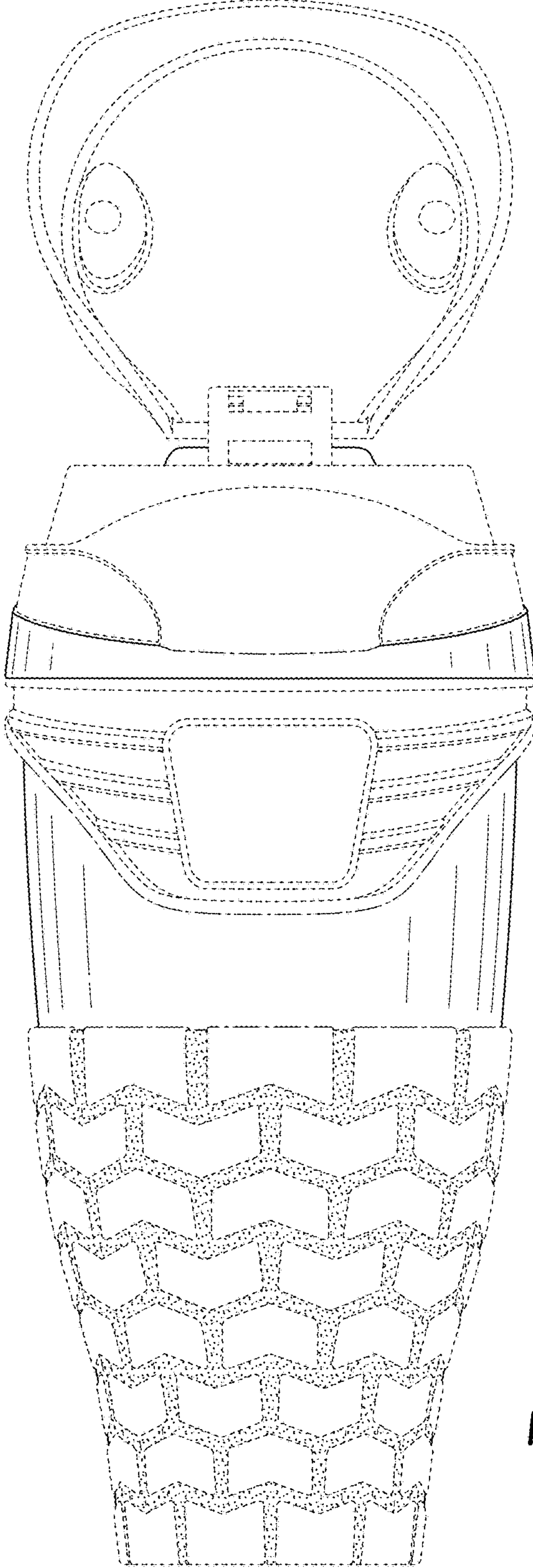


FIG. 2

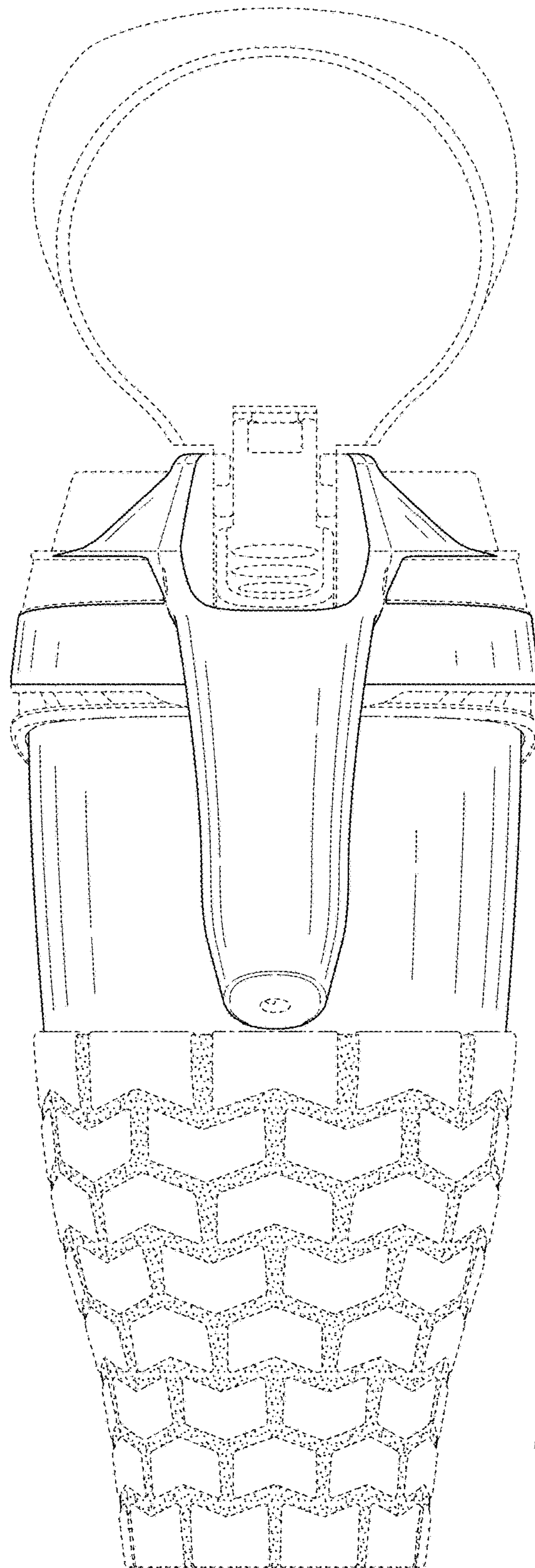


FIG. 3

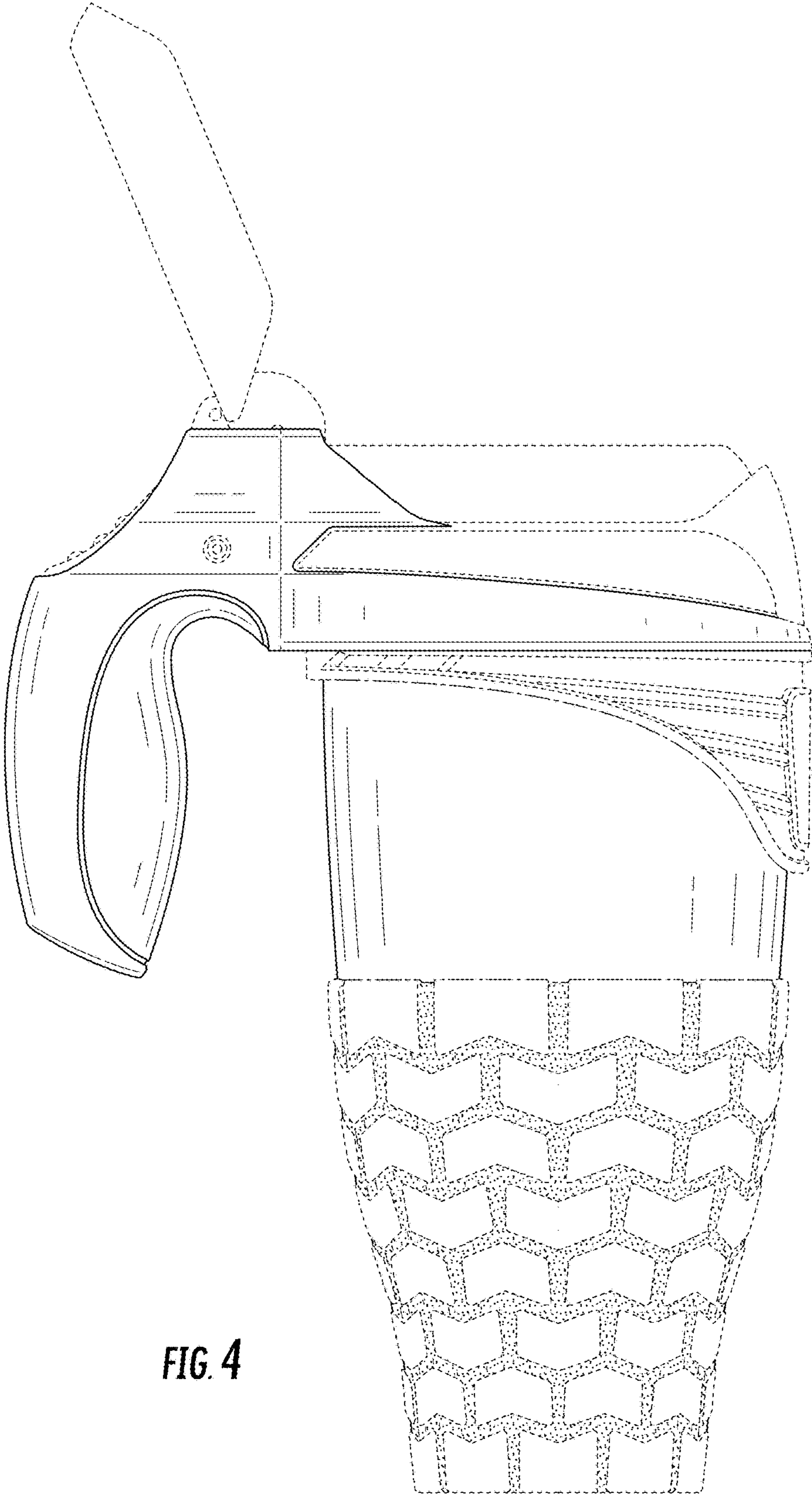


FIG. 4

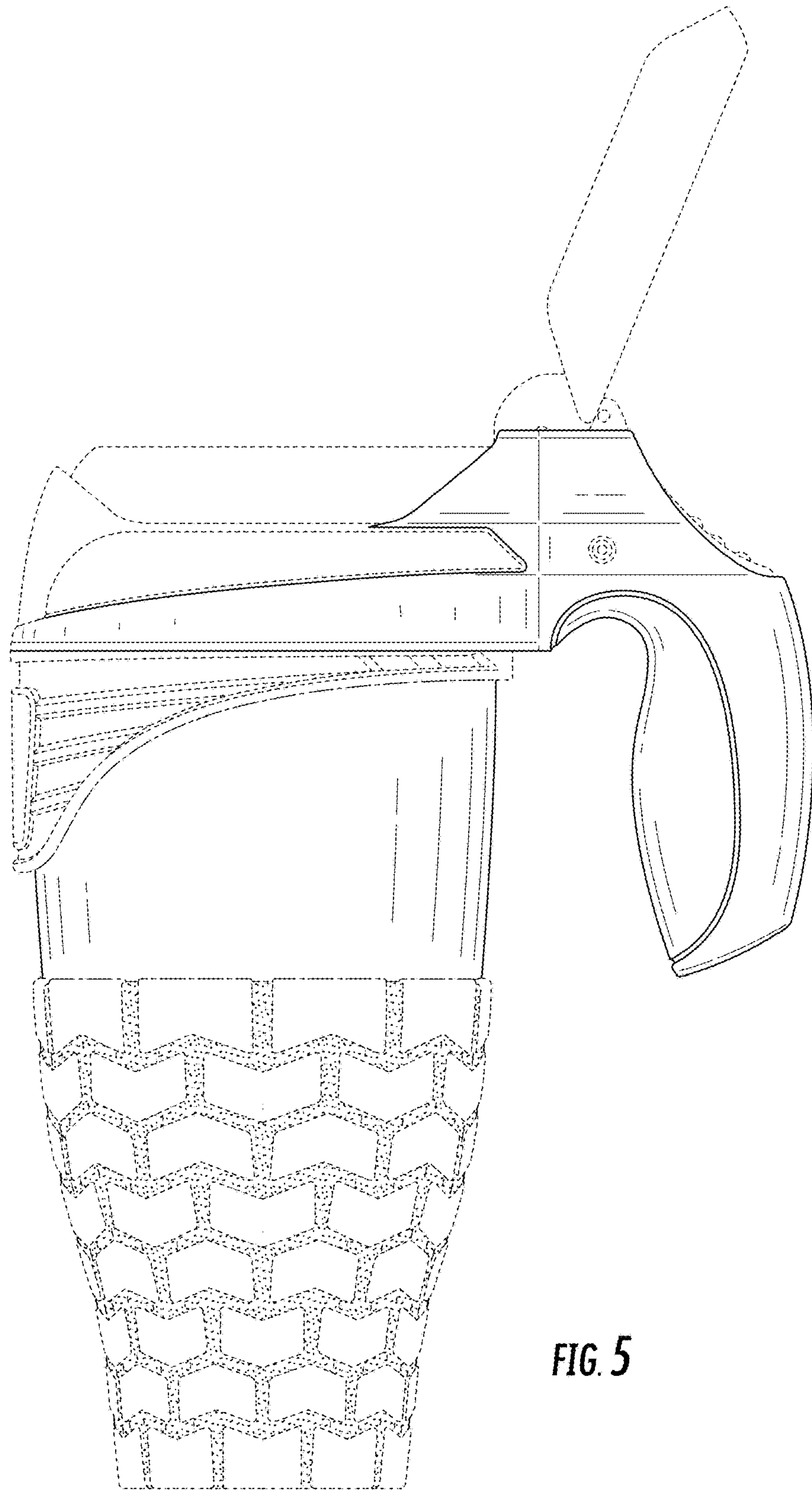


FIG. 5

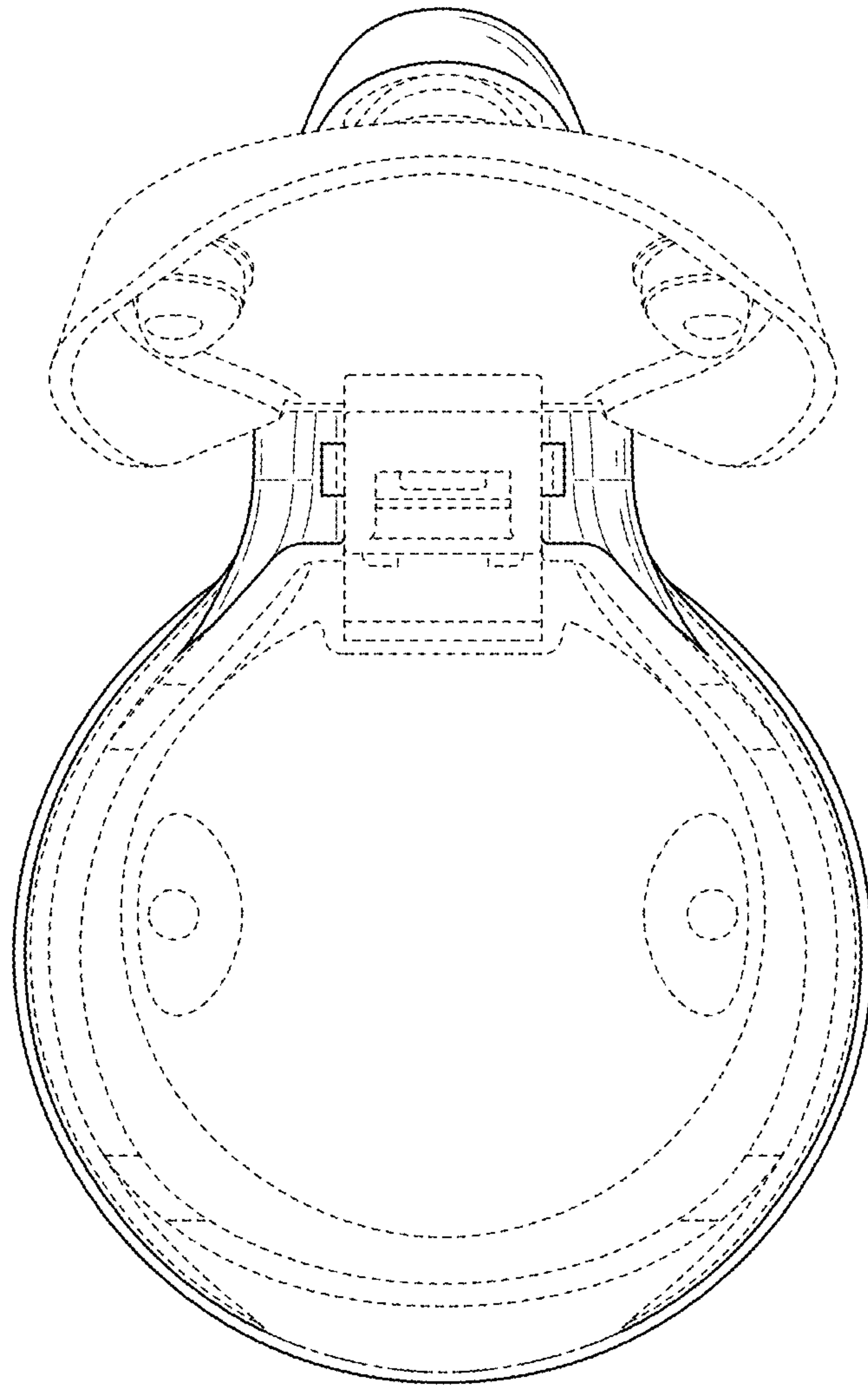


FIG. 6

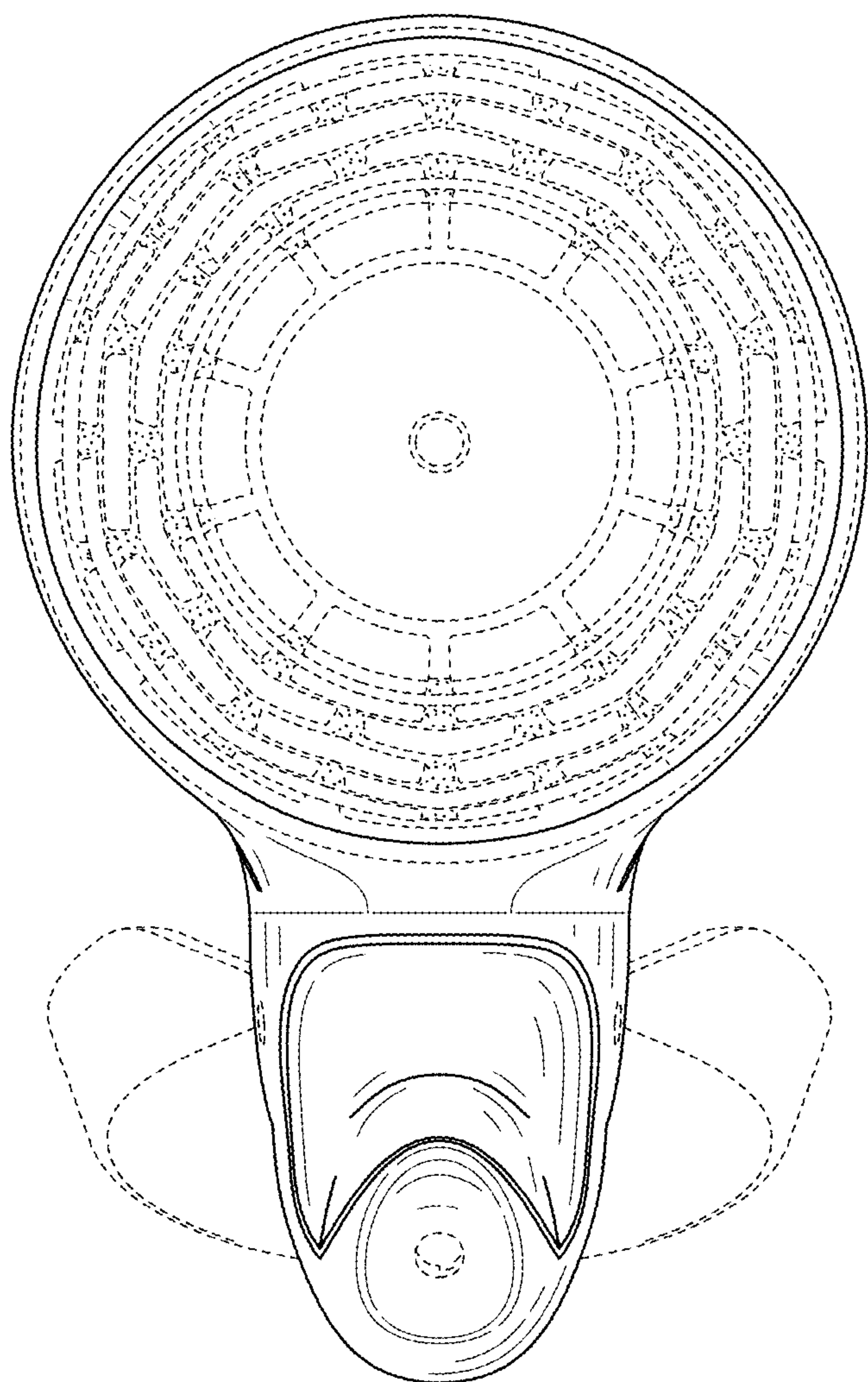


FIG. 7