



US00D851458S

(12) **United States Design Patent** (10) **Patent No.:** **US D851,458 S**
Burns et al. (45) **Date of Patent:** **** Jun. 18, 2019**

(54) **TRAVEL MUG**

19/2288; A47G 2019/2277; A47G
19/2227; G09F 3/00

(71) Applicant: **Can't Live Without It, LLC**, New York, NY (US)

See application file for complete search history.

(72) Inventors: **Clay Burns**, New York, NY (US);
Michael Circosta, Brooklyn, NY (US);
Mario Quintana Serrahima, Brooklyn, NY (US)

(56) **References Cited**

U.S. PATENT DOCUMENTS

D261,230 S *	10/1981	Bird	D9/529
4,949,865 A *	8/1990	Turner	B65D 47/0847 220/254.3
D416,755 S	11/1999	Trombly	
D476,857 S *	7/2003	Holsinger	D7/523
D556,581 S	12/2007	Yamada	
D560,435 S *	1/2008	Meehan	D7/507
D586,182 S *	2/2009	Trombly	D7/509

(Continued)

(73) Assignee: **CAN'T LIVE WITHOUT IT, LLC**, New York, NY (US)

(**) Term: **15 Years**

OTHER PUBLICATIONS

(21) Appl. No.: **29/637,880**

Notice of Allowance for U.S. Appl. No. 29/608,704, dated Nov. 3, 2017, 7 pages.

(22) Filed: **Feb. 22, 2018**

(Continued)

Related U.S. Application Data

(63) Continuation of application No. 29/608,704, filed on Jun. 23, 2017, now Pat. No. Des. 816,399.

Primary Examiner — Marianne N Pandozzi

Assistant Examiner — Jae Liang

(51) **LOC (11) Cl.** **07-01**

(74) *Attorney, Agent, or Firm* — Kilpatrick Townsend & Stockton LLP

(52) **U.S. Cl.**

USPC **D7/510**; D7/511; D7/523

(57) **CLAIM**

The ornamental design for a travel mug, as shown and described.

(58) **Field of Classification Search**

USPC D7/392.1, 396.2, 396.3, 396.6, 397, 398, D7/399, 400, 402, 387, 213, 388, 510, D7/511, 507, 624.1, 624.2, 506, 505, 406, D7/708.1, 619.1, 622, 633, 635, 523, 532; D9/435, 436, 440, 453, 455, 499, 454, D9/415, 434, 520, 450; 220/200, 703, 220/592.16, 592.17; D20/22, 23, 24, 26, D20/27, 28, 29, 43, 32, 19, 10, 4
 CPC B65D 41/04; B65D 41/0414; B65D 43/02; B65D 41/56; Y10S 330/903; A47G

DESCRIPTION

FIG. 1 is a front perspective view of a travel mug showing our new design;
 FIG. 2 is a front elevational view of the travel mug;
 FIG. 3 is a rear elevational view of the travel mug;
 FIG. 4 is a right-side elevational view of the travel mug;
 FIG. 5 is a left-side elevational view of the travel mug;
 FIG. 6 is a top view of the travel mug;
 FIG. 7 is a bottom view of the travel mug;
 FIG. 8 is a rear perspective view of the travel mug;
 FIG. 9 is a front perspective view of the travel mug; and,

(Continued)

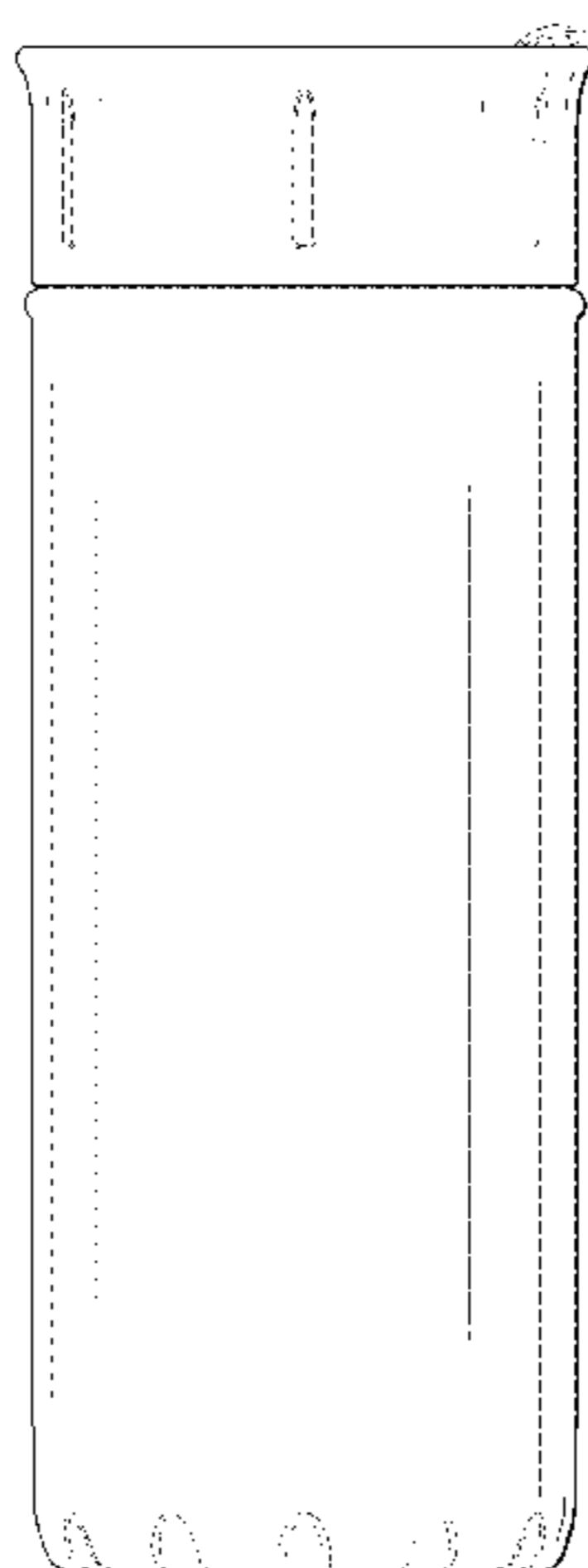
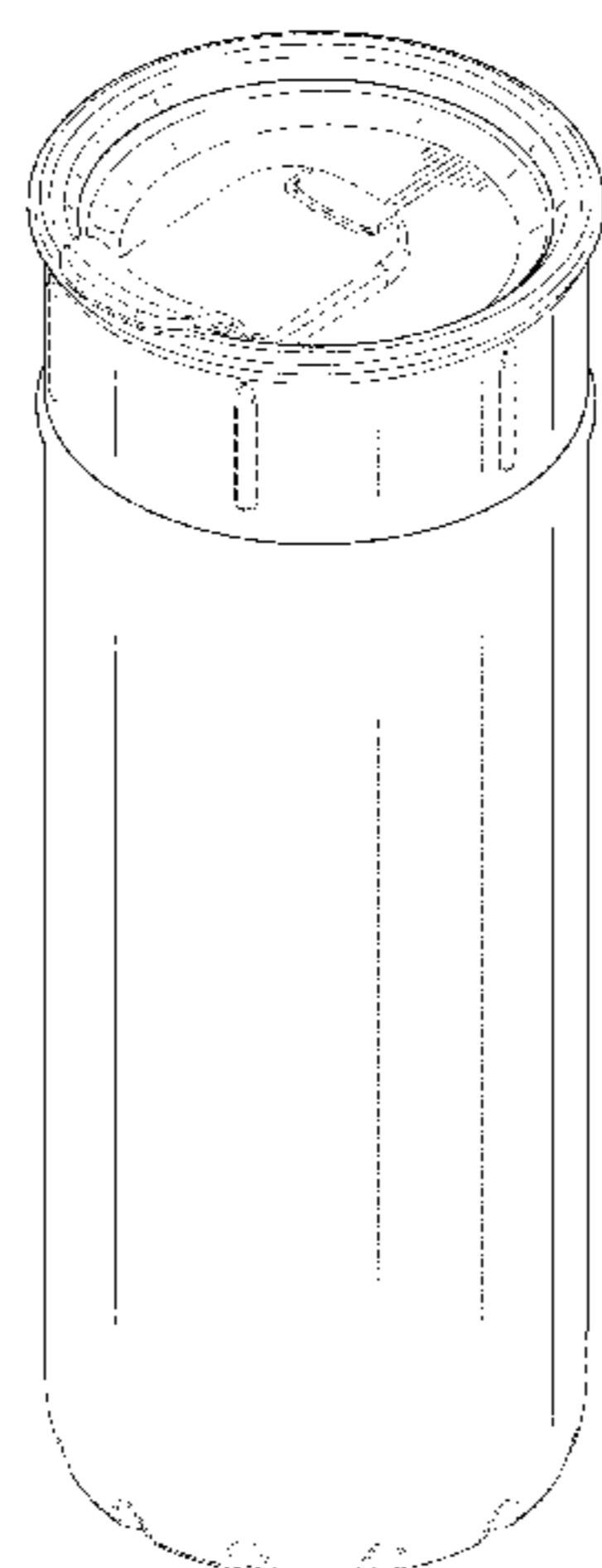


FIG. 10 is a rear perspective view of the travel mug.
The broken lines in the drawings depict portions of the travel mug that form no part of the claimed design.

1 Claim, 9 Drawing Sheets

(56)

References Cited

U.S. PATENT DOCUMENTS

D587,069 S * 2/2009 Bodum D7/510
 D606,364 S * 12/2009 Gilbert D7/510
 D615,358 S * 5/2010 Wahl D7/510
 D617,204 S 6/2010 Lauret
 D641,591 S * 7/2011 Tsukida D7/608
 D641,640 S * 7/2011 Kraff D9/680
 D644,060 S * 8/2011 Komeiji D7/392.1
 D648,984 S * 11/2011 Gullickson D7/510
 D651,045 S * 12/2011 Eyal D7/510
 D675,058 S 1/2013 Lee
 D691,416 S * 10/2013 Eyal D7/396.2
 D696,551 S 12/2013 Meyers et al.
 D698,657 S 2/2014 Bernstein
 D715,100 S * 10/2014 Eyal D7/510
 D717,115 S * 11/2014 Lane D7/511
 D732,892 S 6/2015 Keys

D736,563 S * 8/2015 George D7/510
 D743,742 S * 11/2015 Rummel D7/511
 D744,781 S * 12/2015 Rummel D7/511
 D750,966 S 3/2016 Zhou
 D760,542 S * 7/2016 Vu D7/510
 D761,618 S * 7/2016 Lapsker D7/392.1
 D761,619 S * 7/2016 Seiders D7/392.1
 D761,624 S 7/2016 McLean et al.
 D765,836 S * 9/2016 Kammer D24/121
 D775,897 S * 1/2017 Knox D7/509
 D782,317 S 3/2017 Zhou
 D790,913 S 7/2017 Stover
 D792,155 S * 7/2017 Stover D7/510
 D798,665 S * 10/2017 Rummel D7/510
 D799,899 S * 10/2017 Rummel D7/510
 D803,005 S * 11/2017 Lane D7/608
 D803,287 S * 11/2017 Whetsel D16/135
 D816,399 S * 5/2018 Burns D7/392.1
 2010/0032454 A1 * 2/2010 Moribata A45D 40/0075
 222/494

OTHER PUBLICATIONS

Restriction/Election Requirement for U.S. Appl. No. 29/608,704, dated Aug. 22, 2017, 10 pages.
 Response to Restriction/Election Requirement for Aug. 22, 2017 for U.S. Appl. No. 29/608,704, filed Sep. 14, 2018, 1 page.

* cited by examiner

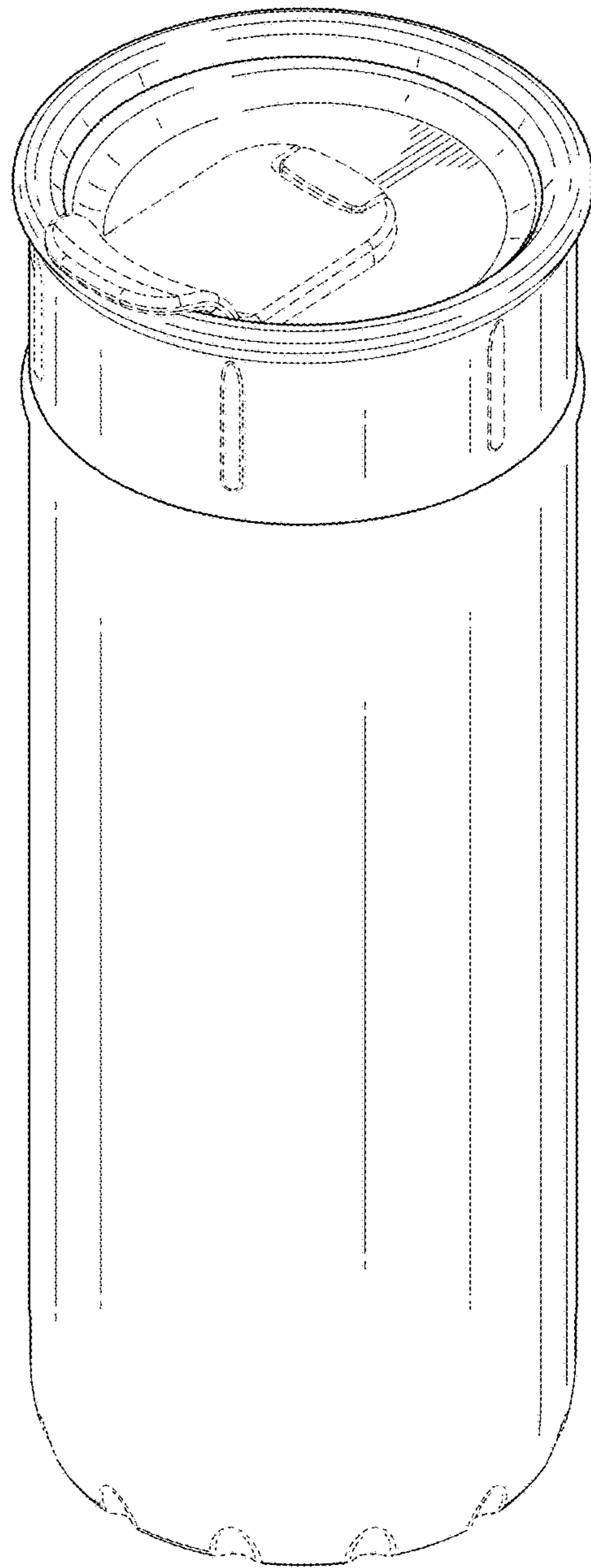


FIG. 1

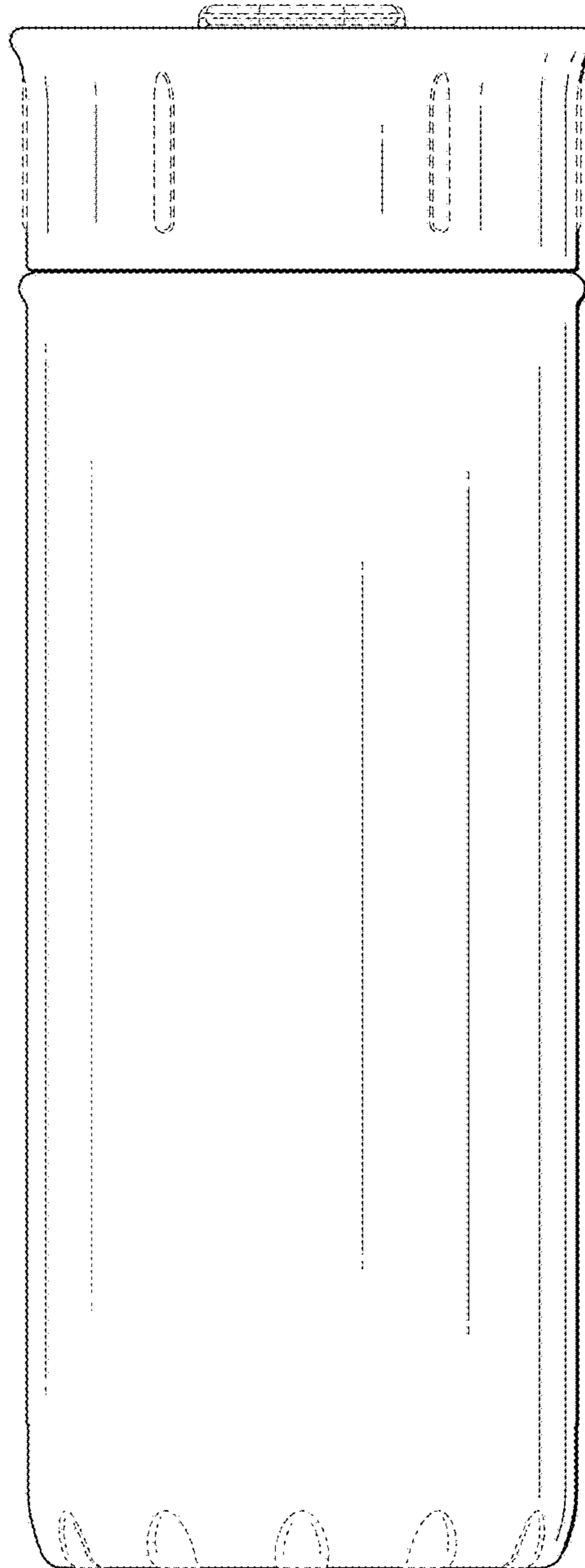


FIG. 2

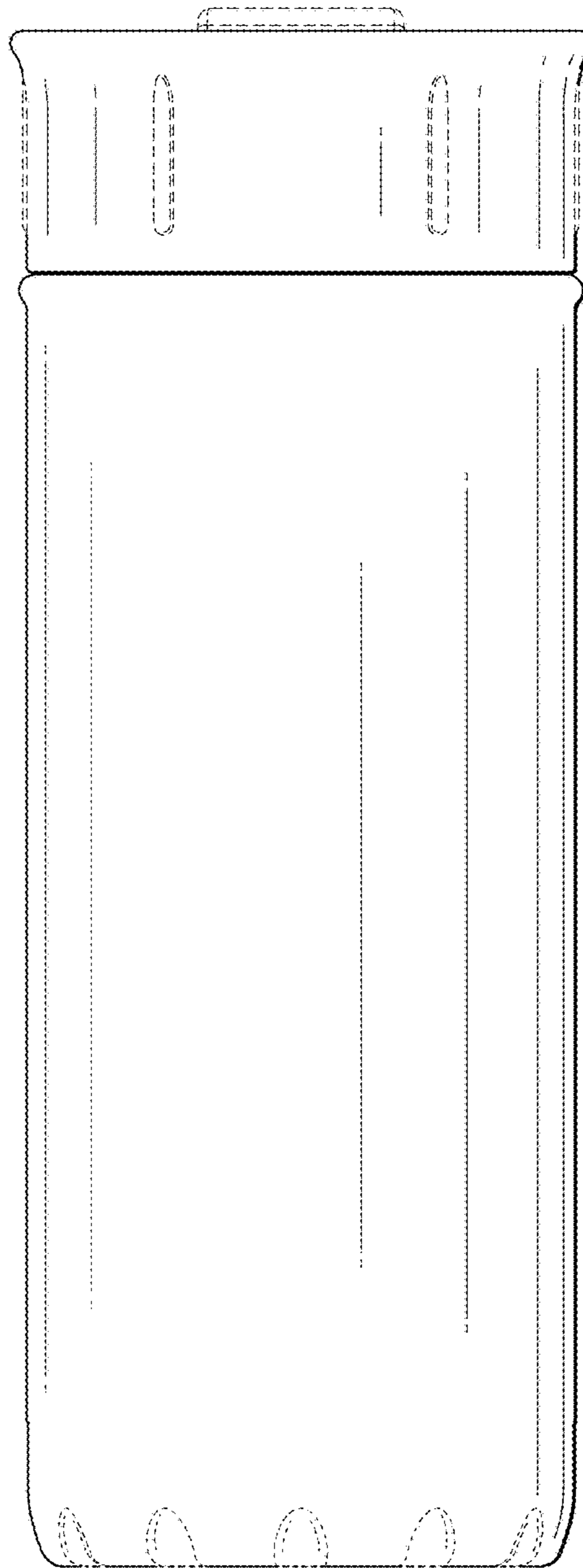


FIG. 3

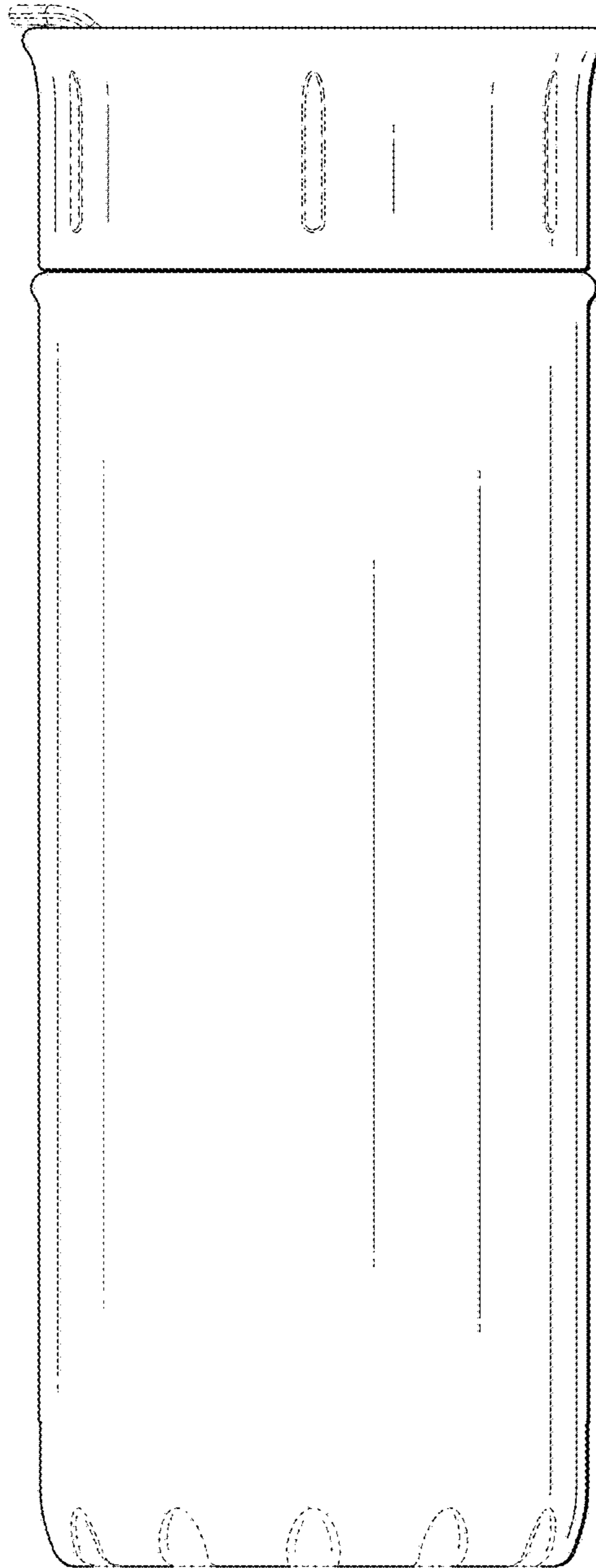


FIG. 4

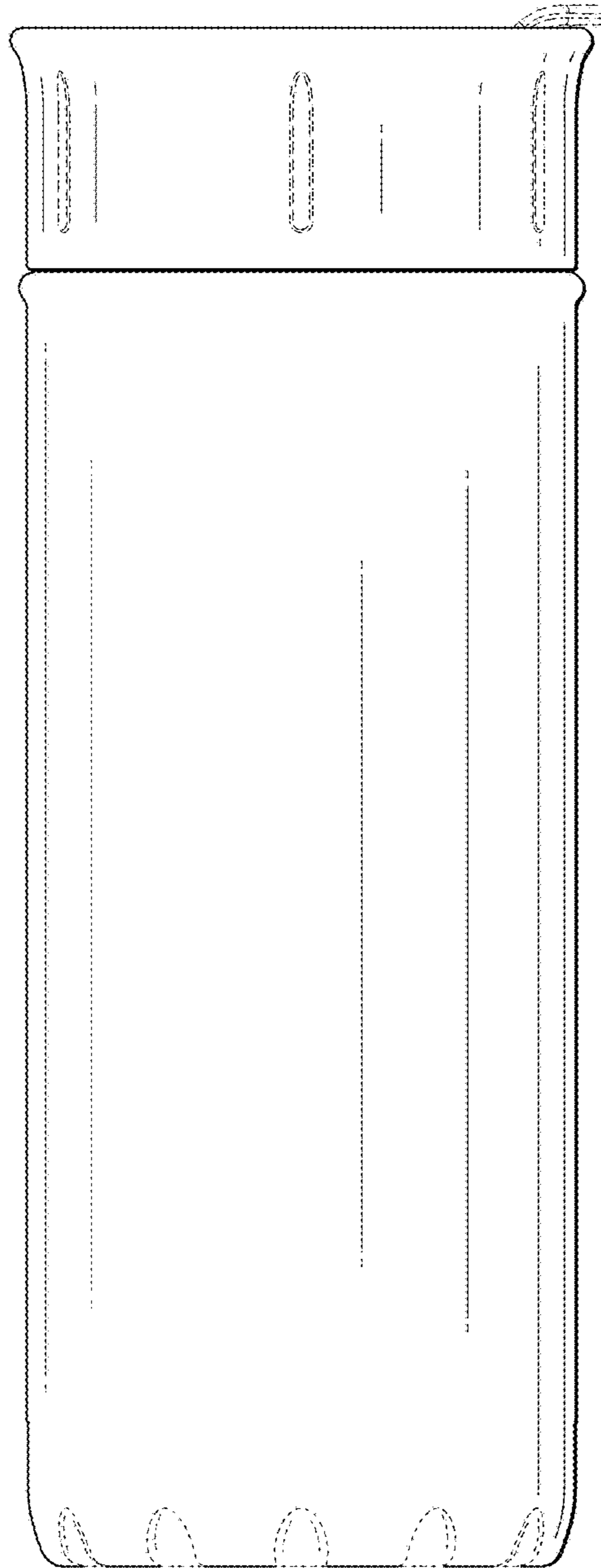


FIG. 5

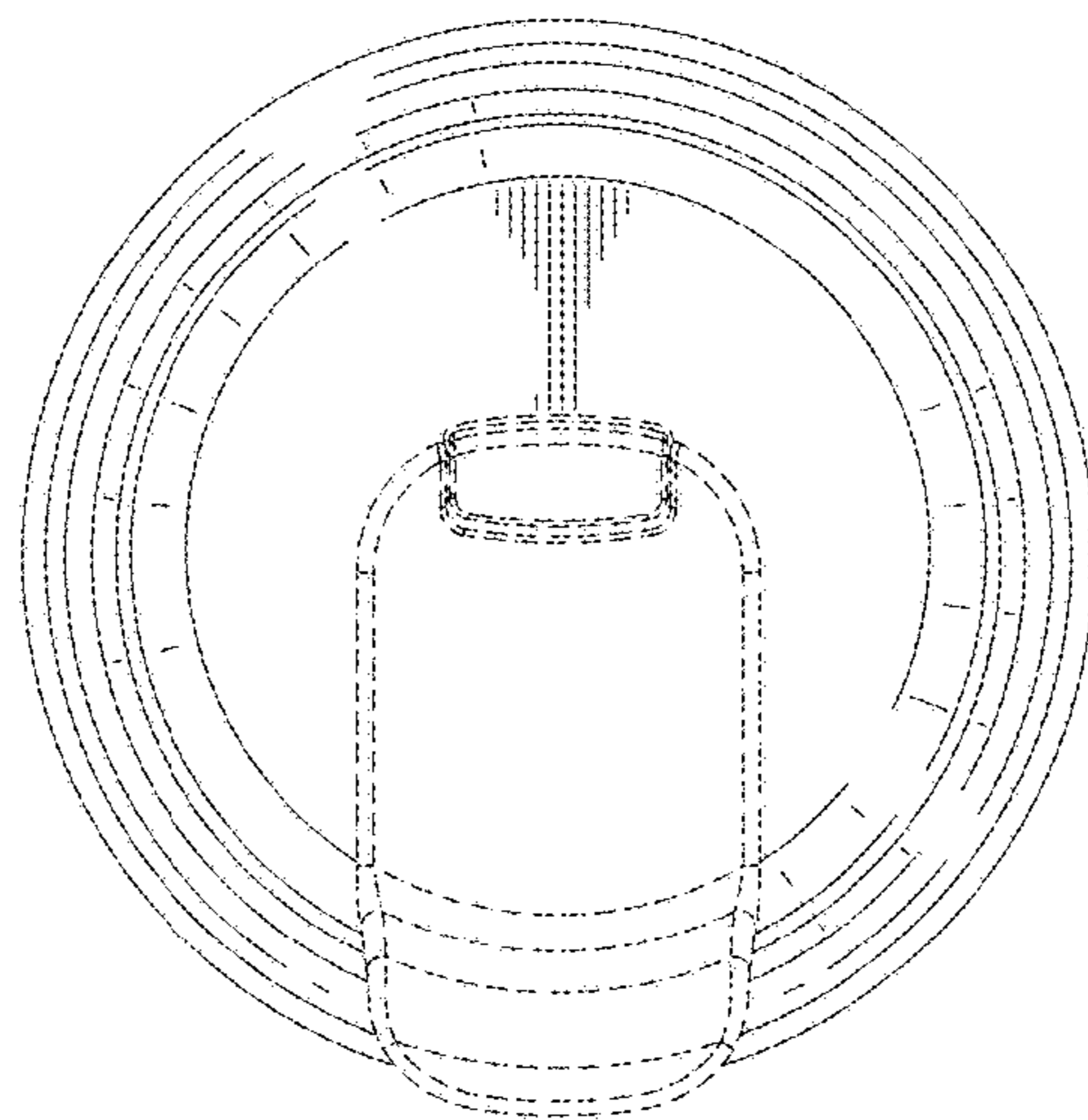


FIG. 6

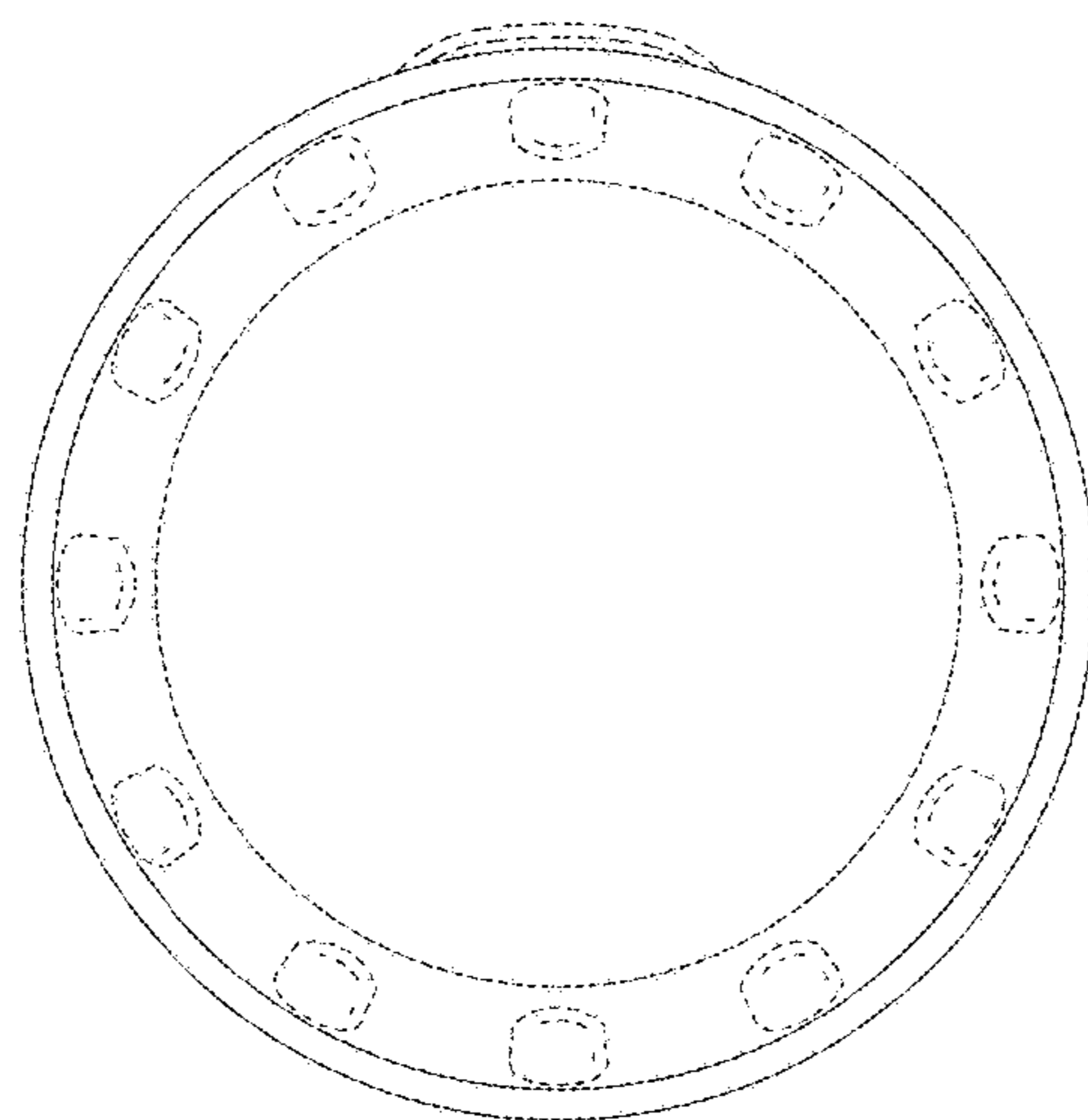


FIG. 7

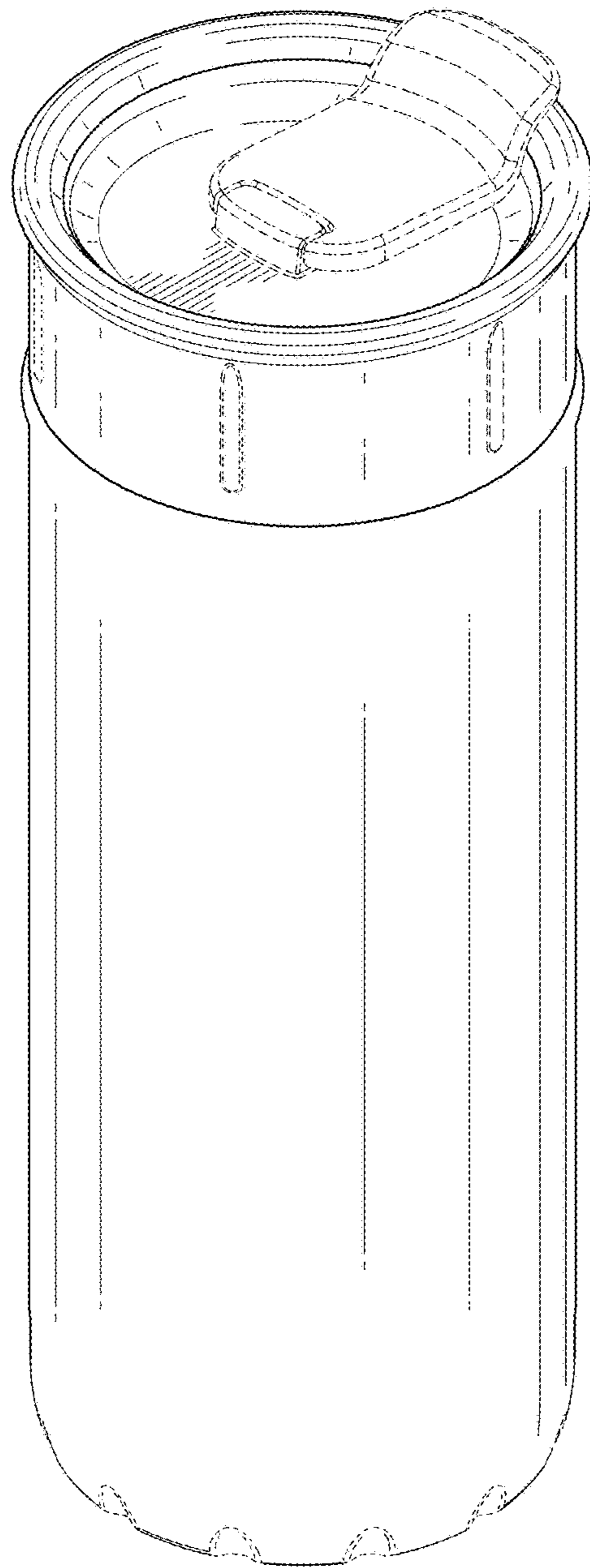


FIG. 8

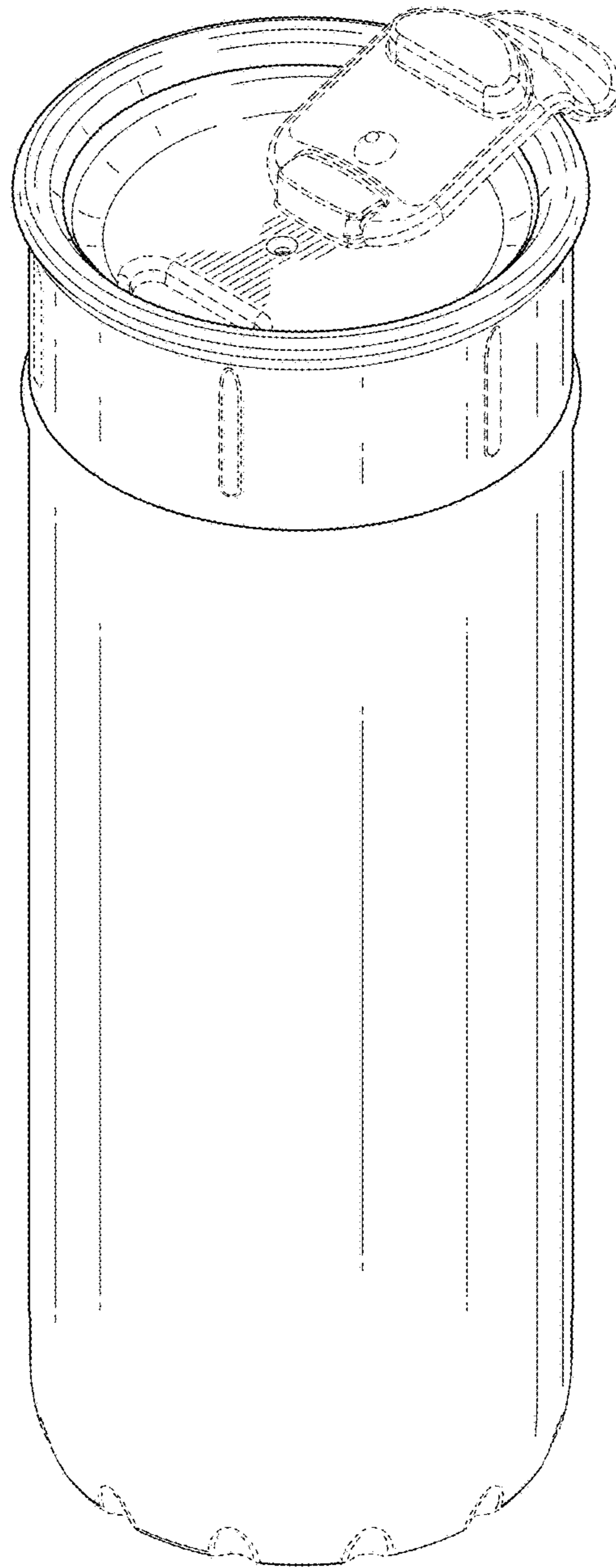


FIG. 9

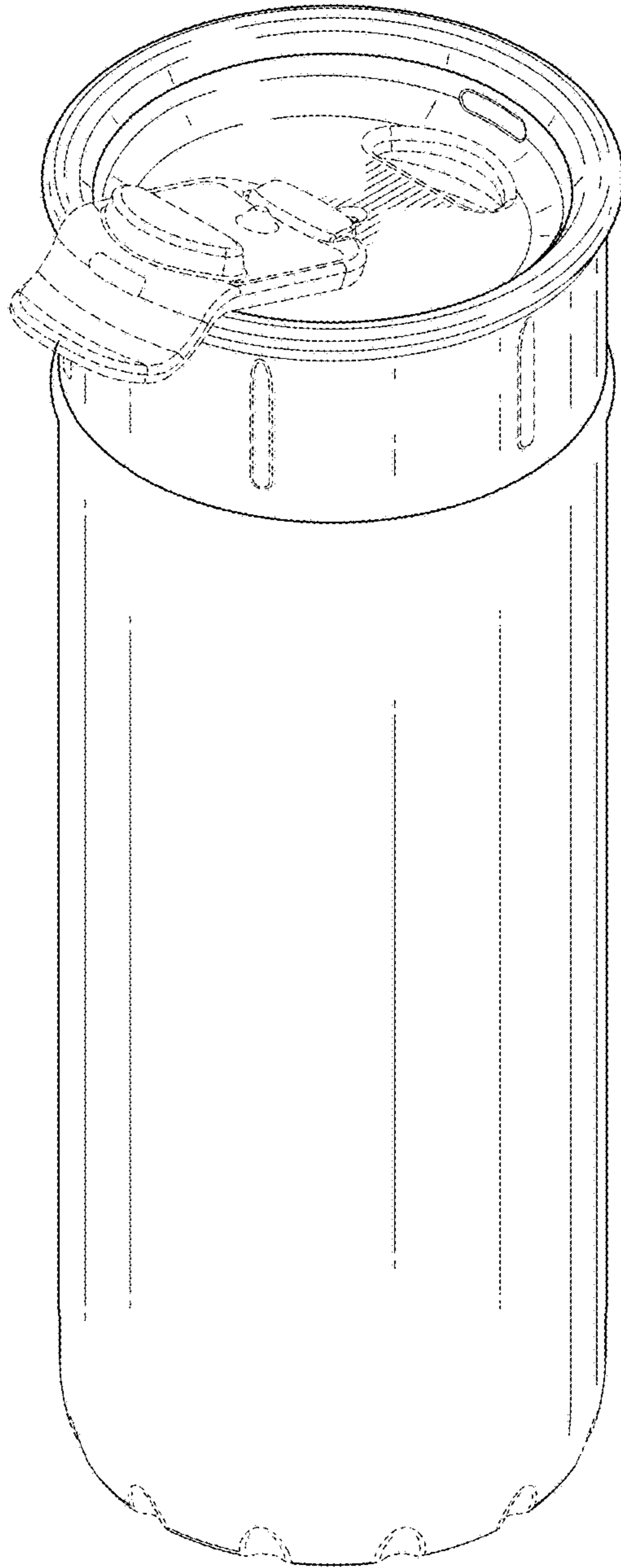


FIG. 10