



US00D851457S

(12) **United States Design Patent**
Han

(10) **Patent No.:** **US D851,457 S**
(45) **Date of Patent:** **** Jun. 18, 2019**

(54) **DUAL FUNCTION MISTER AND DRINK BEVERAGE HOLDER**

(71) Applicant: **Barenthal North America, Inc.**,
Whippany, NJ (US)

(72) Inventor: **Hongyuan Han**, New Vernon, NJ (US)

(73) Assignee: **Barenthal North America, Inc.**,
Whippany, NJ (US)

(**) Term: **15 Years**

(21) Appl. No.: **29/634,448**

(22) Filed: **Jan. 22, 2018**

Related U.S. Application Data

(63) Continuation of application No. 29/587,600, filed on Dec. 14, 2016, now abandoned.

(51) **LOC (11) Cl.** **07-01**

(52) **U.S. Cl.**
USPC **D7/510; D7/511; D7/523**

(58) **Field of Classification Search**

USPC D7/507, 509, 510, 511, 523, 529, 530, D7/531, 532, 533, 536, 608, 598, 300.1, D7/320, 629, 392.1, 396.2, 396.6, 387, D7/667; D9/435, 436, 443, 452, 453, D9/447, 440, 503; 220/592.16, 592.17, 220/705, 495.03; 215/381; D3/202
CPC A47G 19/22; A47G 19/2205; A47G 19/2211; A47G 19/2266; A47G 19/2272; A45F 3/16; B65D 47/066
See application file for complete search history.

(56) **References Cited**

U.S. PATENT DOCUMENTS

4,124,148 A * 11/1978 Vieler B05B 11/3052
222/321.8
D274,222 S * 6/1984 Markis D9/504

D285,533 S * 9/1986 Berish D9/503
5,242,079 A 9/1993 Stephens et al.
D387,621 S * 12/1997 Sullivan D7/510
5,873,478 A * 2/1999 Sullivan A47G 19/2266
215/389
D409,051 S 5/1999 Huang
D482,571 S 11/2003 Leinenweber
D579,334 S * 10/2008 Williams D9/500
D592,915 S 5/2009 Olivari
D621,648 S 8/2010 Lown et al.

(Continued)

Primary Examiner — Marianne N Pandozzi

Assistant Examiner — Jae Liang

(74) *Attorney, Agent, or Firm* — Preti Flaherty Beliveau & Pachios, LLP

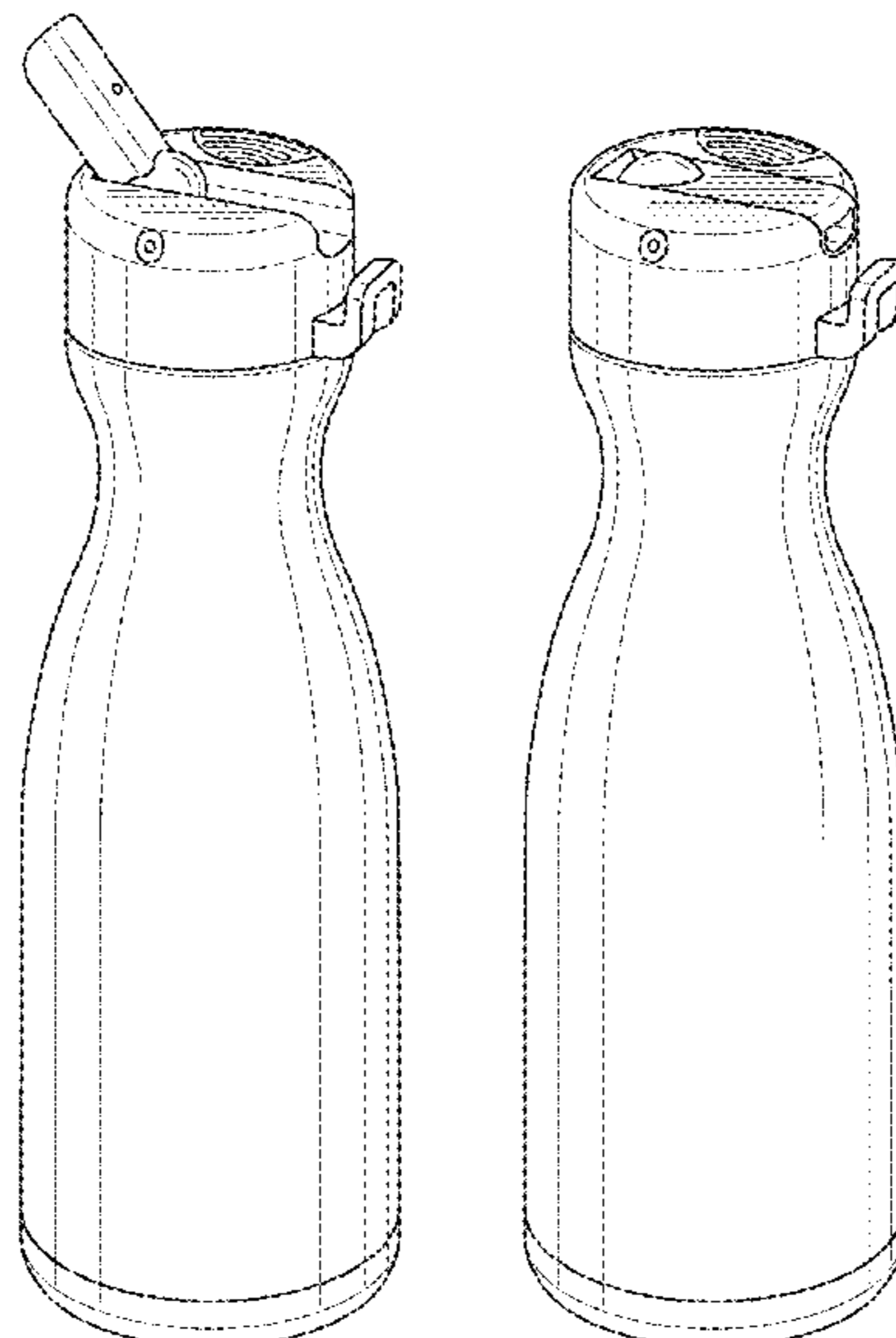
(57) **CLAIM**

The ornamental design for a dual function mister and drink beverage holder, as shown and described.

DESCRIPTION

FIG. 1 is a front, left side, top perspective view of a dual function mister and drink beverage holder with its movable spout in an open position showing my new design; FIG. 2 is a front, left side, top perspective view thereof with the movable spout in a closed position; FIG. 3 is a front, right side, top perspective view of FIG. 1; FIG. 4 is a front, right side, top perspective view of FIG. 2; FIG. 5 is a rear, right side, top perspective view of FIG. 1; FIG. 6 is a rear, right side, top perspective view of FIG. 2; FIG. 7 is a right side elevational view of FIG. 1; FIG. 8 is a right side elevational view of FIG. 2; FIG. 9 is a top plan view of FIG. 1; and, FIG. 10 is a top plan view of FIG. 2.

1 Claim, 5 Drawing Sheets



(56)

References Cited

U.S. PATENT DOCUMENTS

D634,161	S *	3/2011	Roth	D7/510
D646,932	S	10/2011	Melms, Jr.	
D671,786	S	12/2012	Lin	
D685,218	S	7/2013	Willat et al.	
8,672,174	B1	3/2014	McMullin	
D720,218	S	12/2014	Hutson et al.	
D728,297	S *	5/2015	Melzer	D7/300.1
D728,316	S *	5/2015	Breit	D7/598
D732,964	S *	6/2015	Dyer	D9/529
D751,331	S *	3/2016	Rashid	D7/316
D762,476	S *	8/2016	Velmer	D9/445
D784,764	S *	4/2017	Yao	D7/510
D789,148	S *	6/2017	Hornung	D7/507
D812,966	S *	3/2018	Murosky	D7/392.1
D817,096	S *	5/2018	Kauss	D7/511
D829,054	S *	9/2018	Breit	D7/510
D829,101	S *	9/2018	Spivey	D9/503
2003/0085232	A1	5/2003	Leinenweber	
2008/0203007	A1	8/2008	Jang et al.	
2010/0193462	A1 *	8/2010	Roth	A47G 19/2288 215/229
2014/0151390	A1	6/2014	Kohler	

* cited by examiner

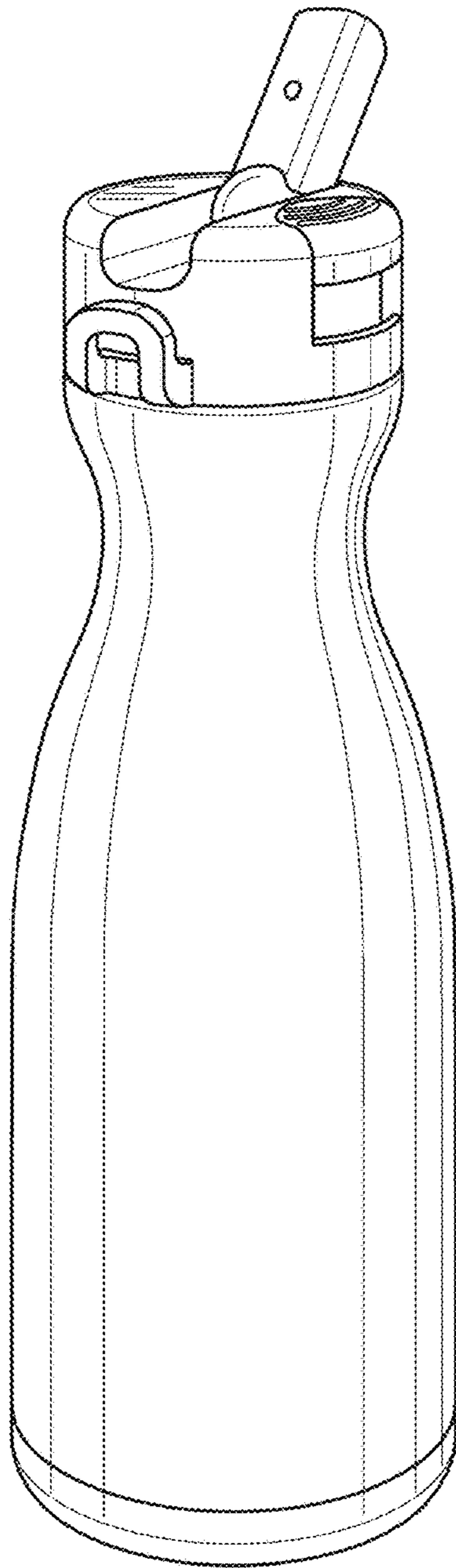


FIG. 1

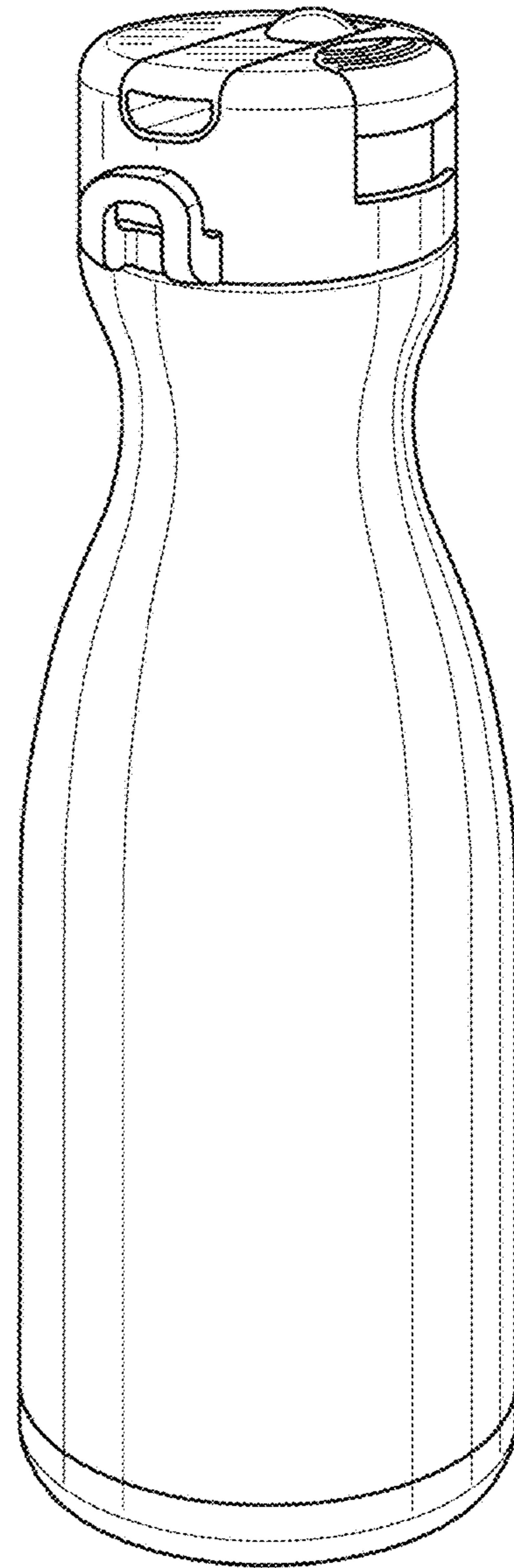


FIG. 2

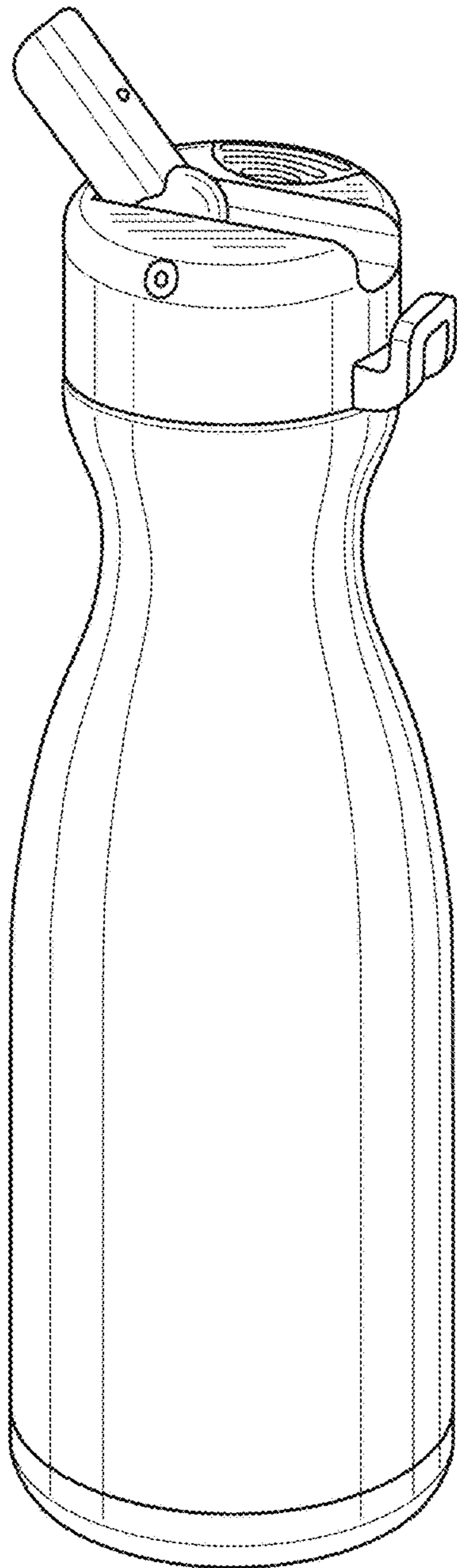


FIG. 3

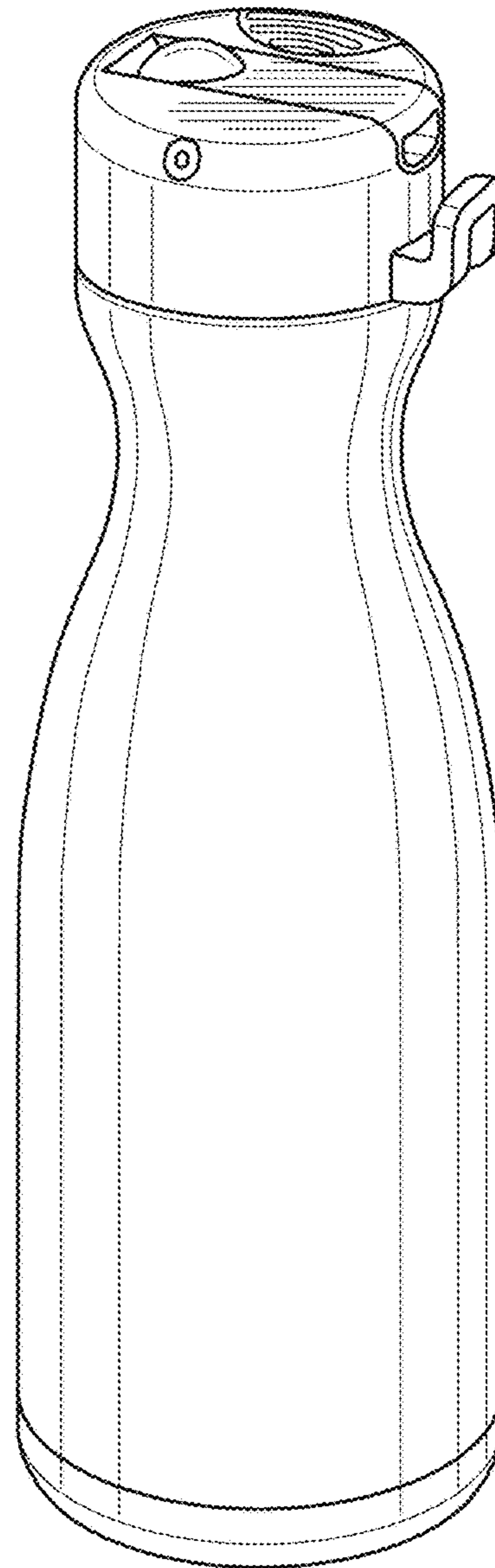


FIG. 4

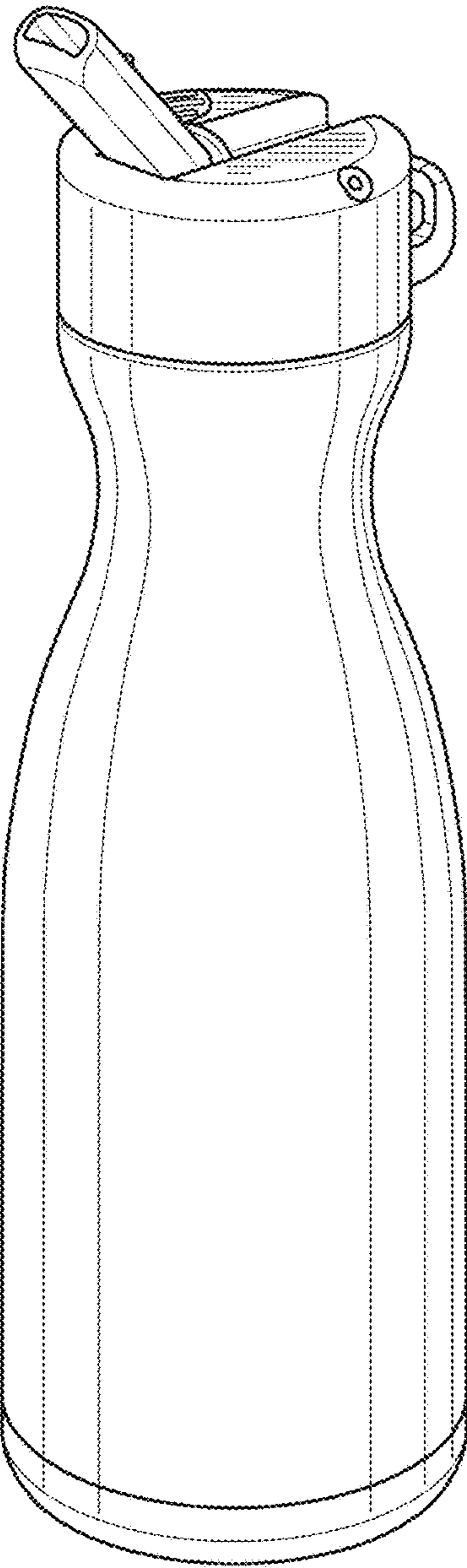


FIG. 5

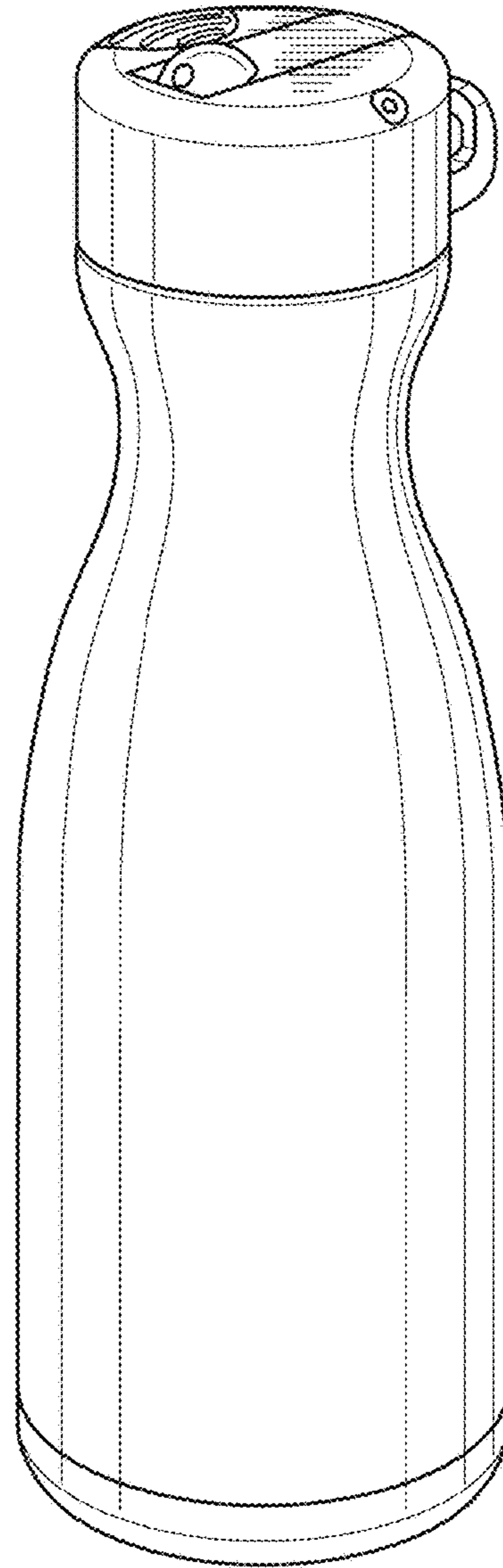


FIG. 6

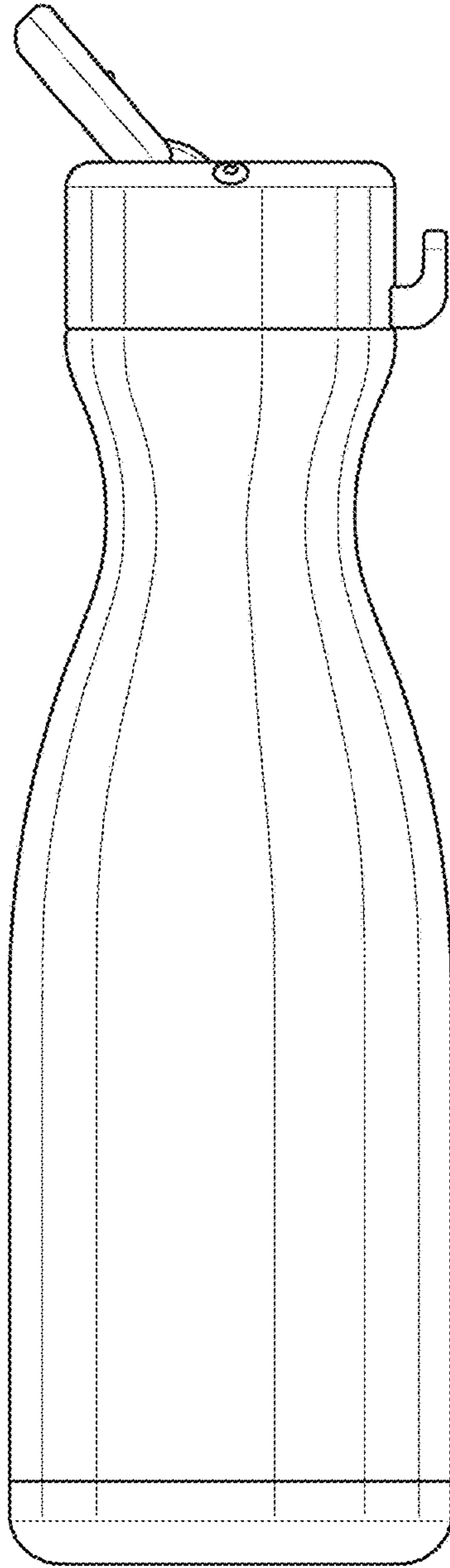


FIG. 7

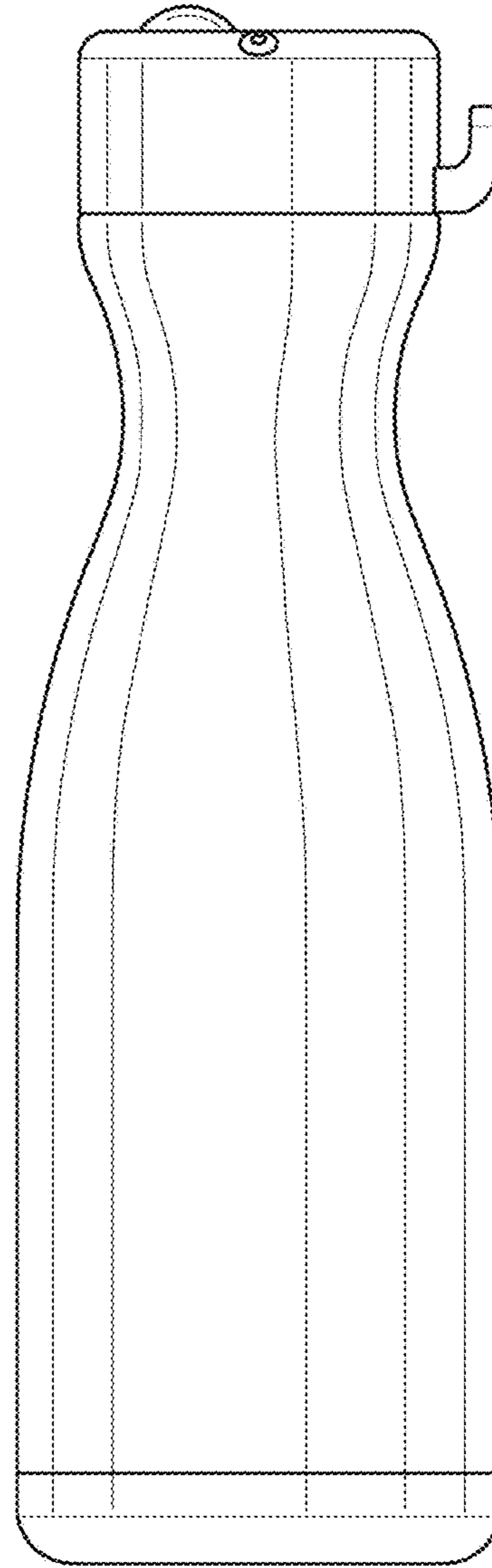


FIG. 8

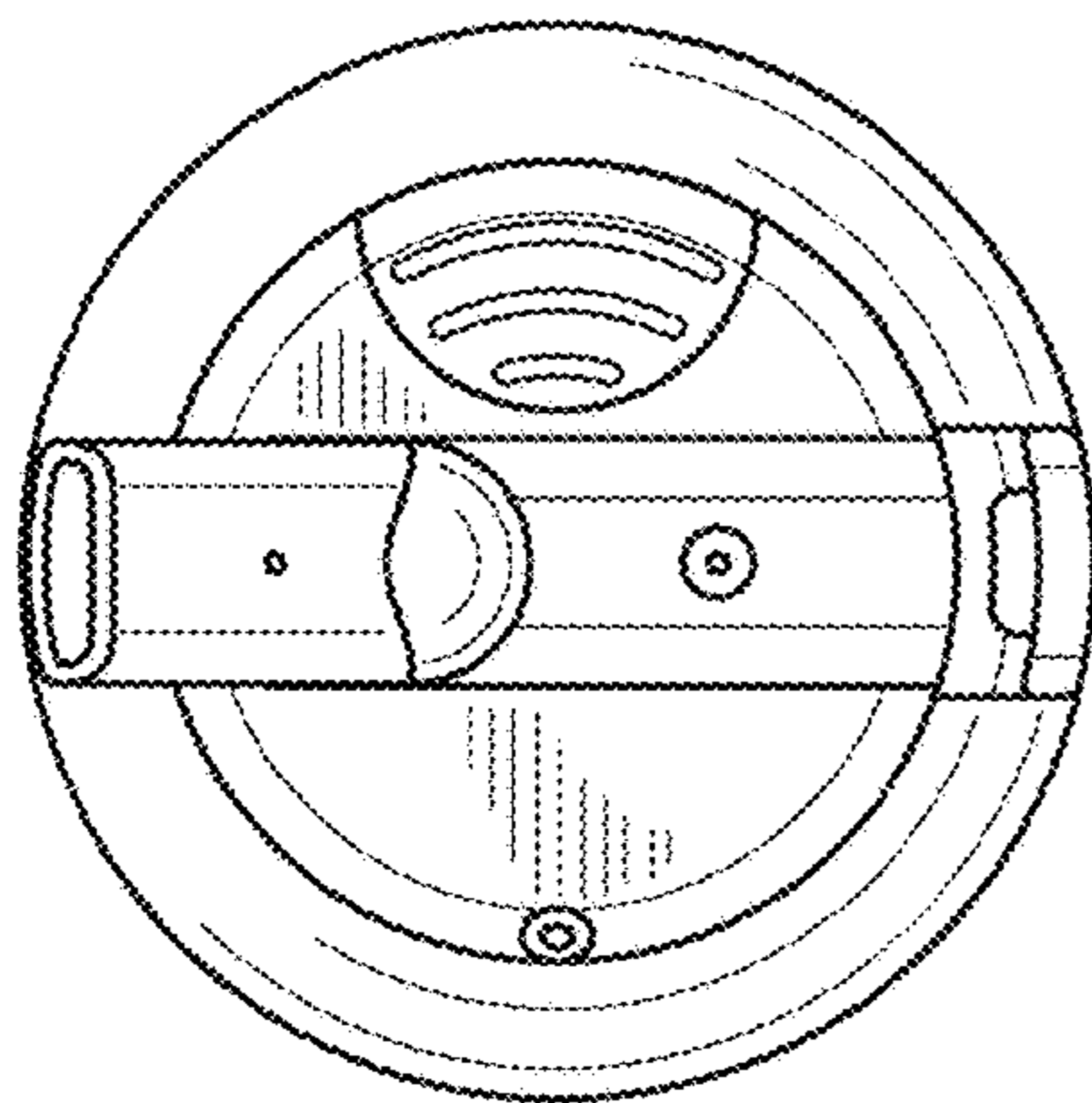


FIG. 9

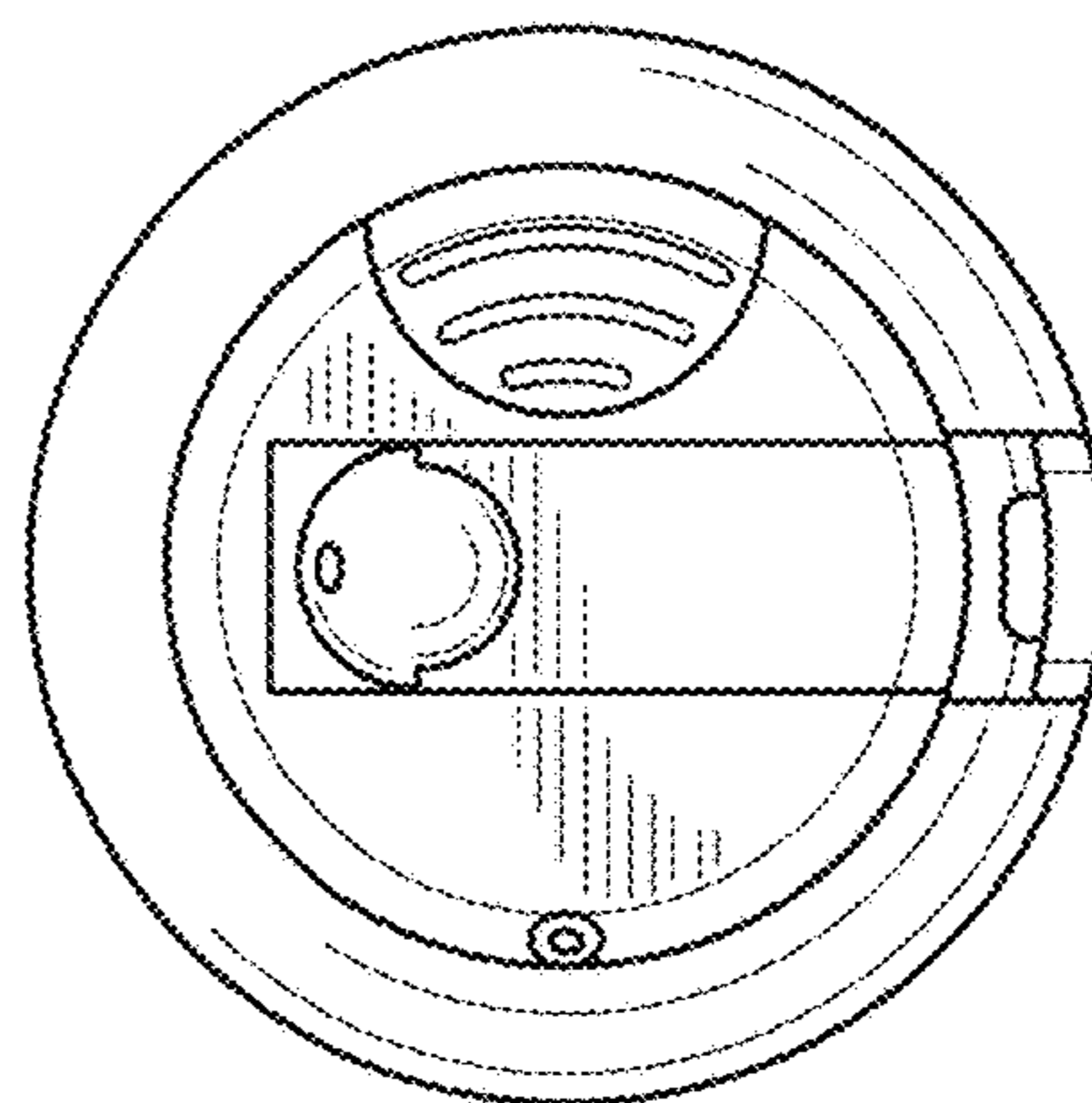


FIG. 10