



US00D851456S

(12) **United States Design Patent** (10) **Patent No.:** **US D851,456 S**
Shen (45) **Date of Patent:** **** Jun. 18, 2019**

(54) **DOUBLE-LAYER CUP**

(71) Applicant: **Min Shen**, Guangdong (CN)

(72) Inventor: **Min Shen**, Guangdong (CN)

(**) Term: **15 Years**

(21) Appl. No.: **29/623,621**

(22) Filed: **Oct. 26, 2017**

(51) **LOC (11) Cl.** **07-01**

(52) **U.S. Cl.**
USPC **D7/510; D7/608**

(58) **Field of Classification Search**
USPC D7/507, 509, 510, 511, 523, 605, 608,
D7/603, 619.1, 624.1, 624.2; D9/500,
D9/503-504

CPC A47G 19/22; A47G 19/2222; A47G
19/2205; A47G 19/2266; A47J 41/02;
B65D 47/066; B65D 1/02; B65D 25/14;
B65D 81/3865; B65D 81/3867; B65D
81/3869; B65D 81/3872; B65D 81/3816;
B65D 81/3834; B65D 81/3874; B65D
81/3876; B65D 81/3879; B65D 81/2881;
B65D 81/3883; B65D 81/3886; B65D
81/3888; A45F 3/16; A45F 3/20; B67F
7/06; B67D 1/0004; A45C 11/20; F25D
3/08; F25D 3/14

See application file for complete search history.

(56) **References Cited**

U.S. PATENT DOCUMENTS

D488,672 S * 4/2004 Oas D7/507
D615,817 S * 5/2010 George D7/510
D618,964 S * 7/2010 Eisenhardt D7/509
D726,498 S * 4/2015 Bukhari D7/510

* cited by examiner

Primary Examiner — Terry A Wallace

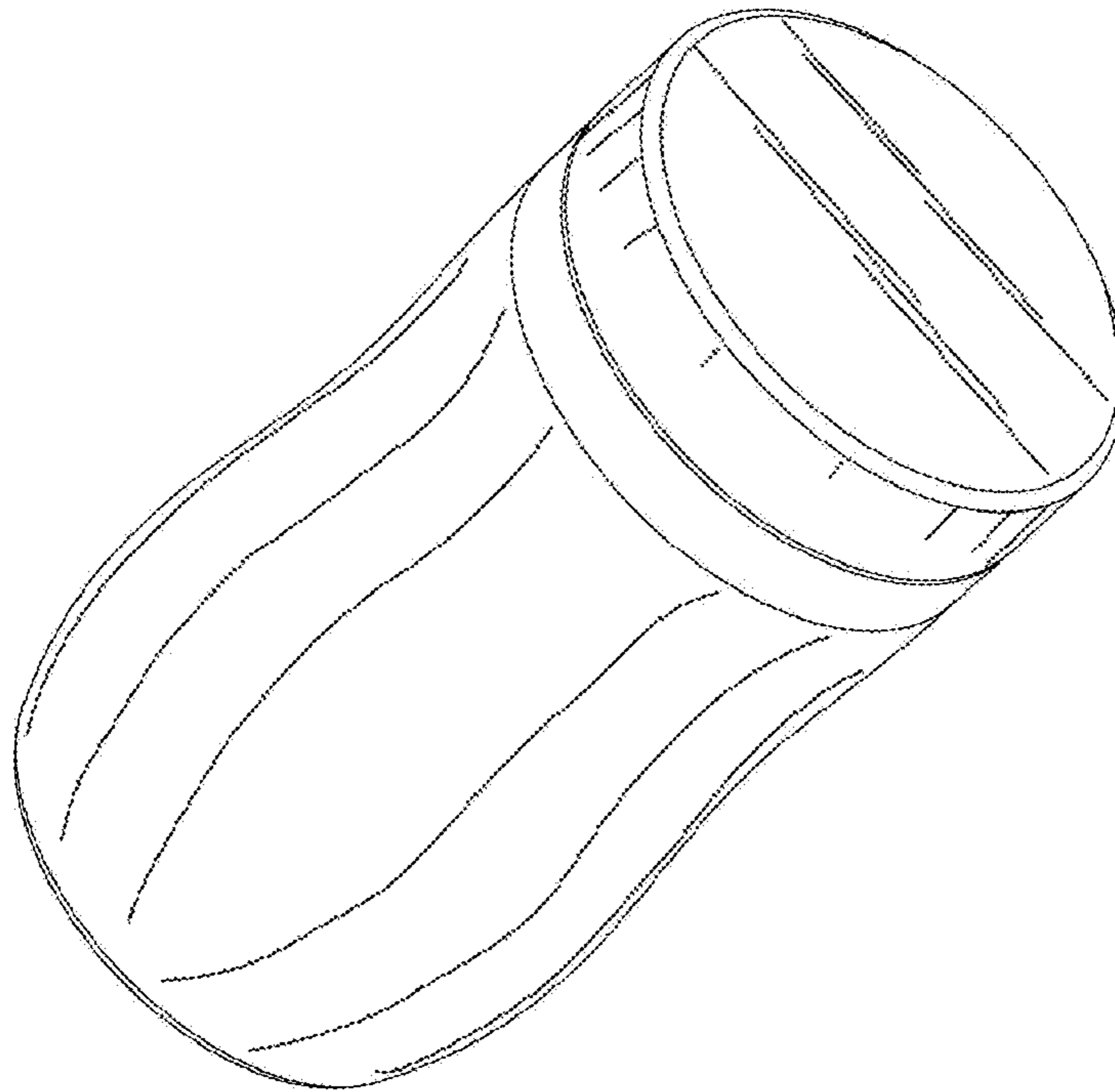
(57) **CLAIM**

The ornamental design for a double-layer cup, as shown.

DESCRIPTION

FIG. 1 is a front elevational view of a double-layer cup showing my new design;
FIG. 2 is a rear elevational view thereof;
FIG. 3 is a left side view thereof;
FIG. 4 is a right side view thereof;
FIG. 5 is a top plan view thereof;
FIG. 6 is a bottom plan view thereof;
FIG. 7 is a perspective view thereof;
FIG. 8 is another perspective view thereof; and,
FIG. 9 is a disassembled view thereof.

1 Claim, 4 Drawing Sheets



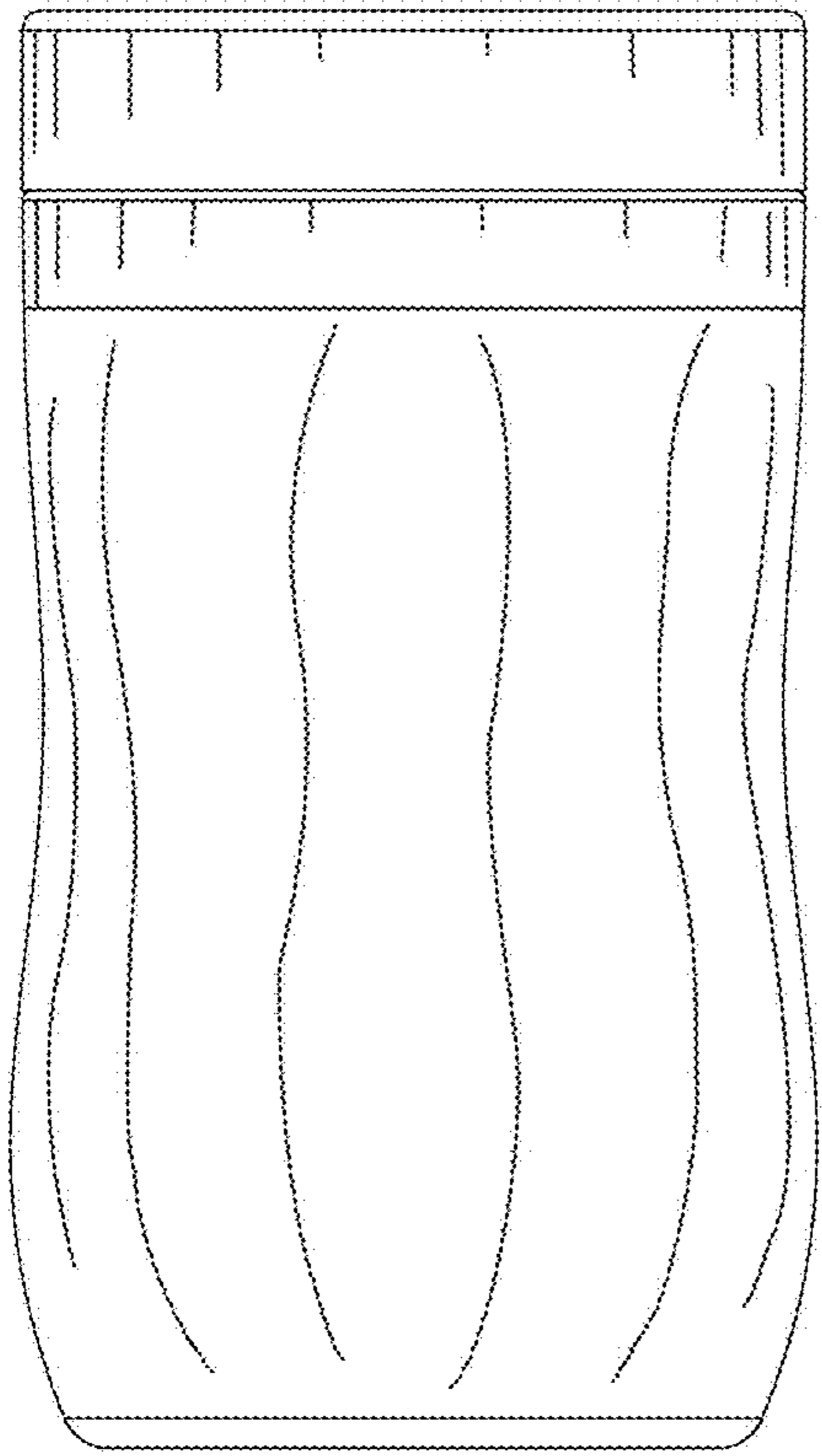


FIG. 1

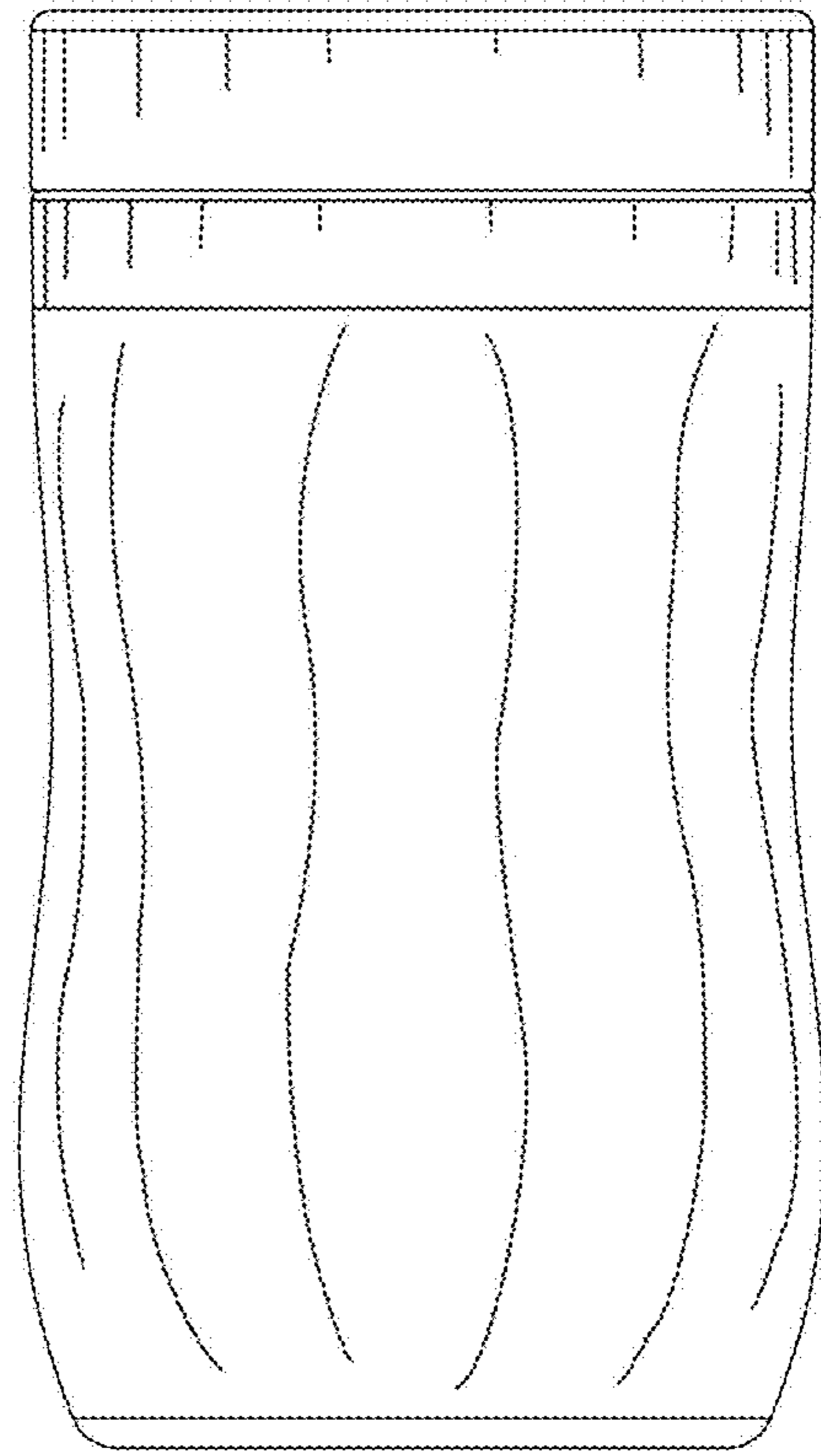


FIG. 2

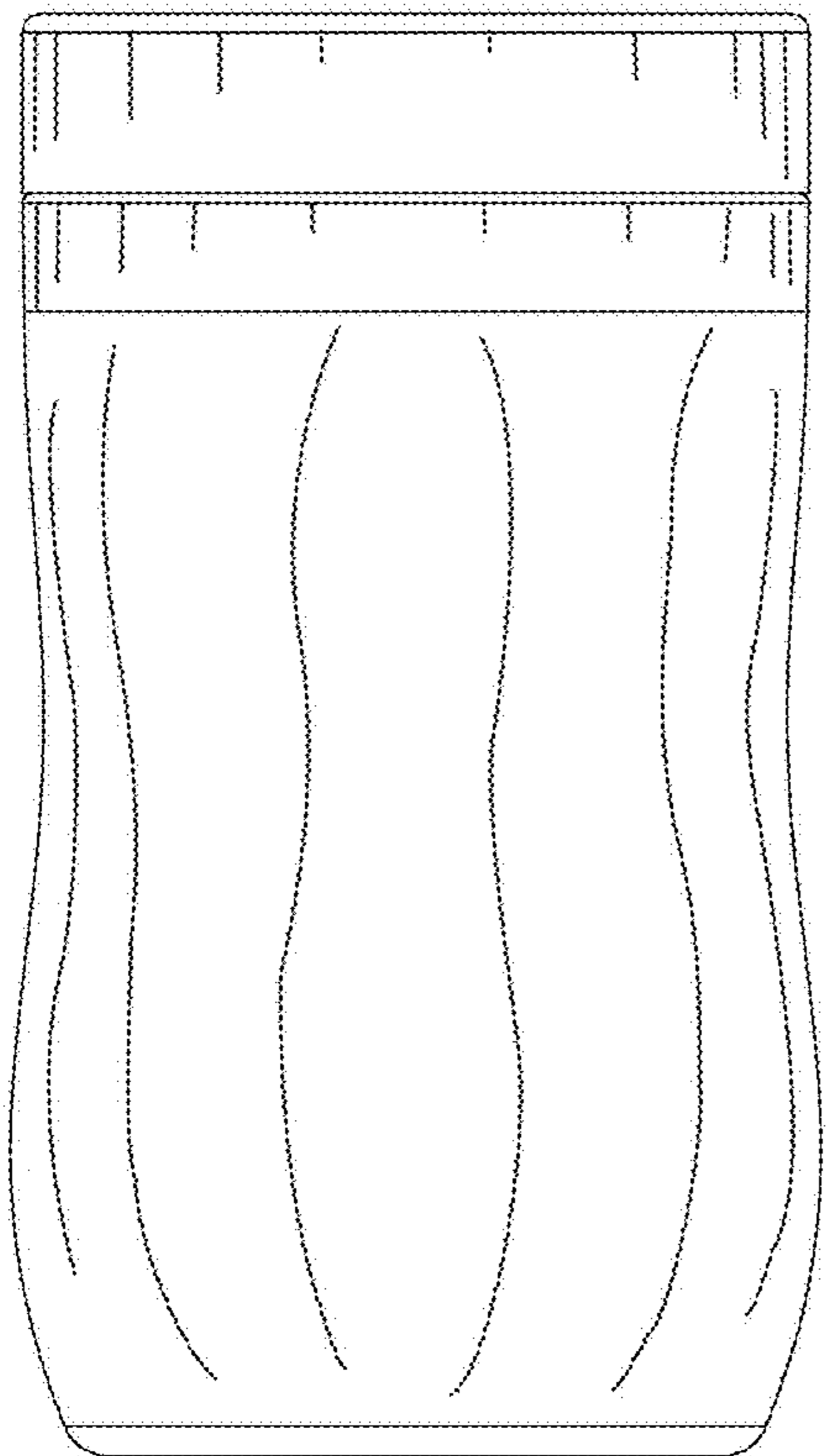


FIG. 3

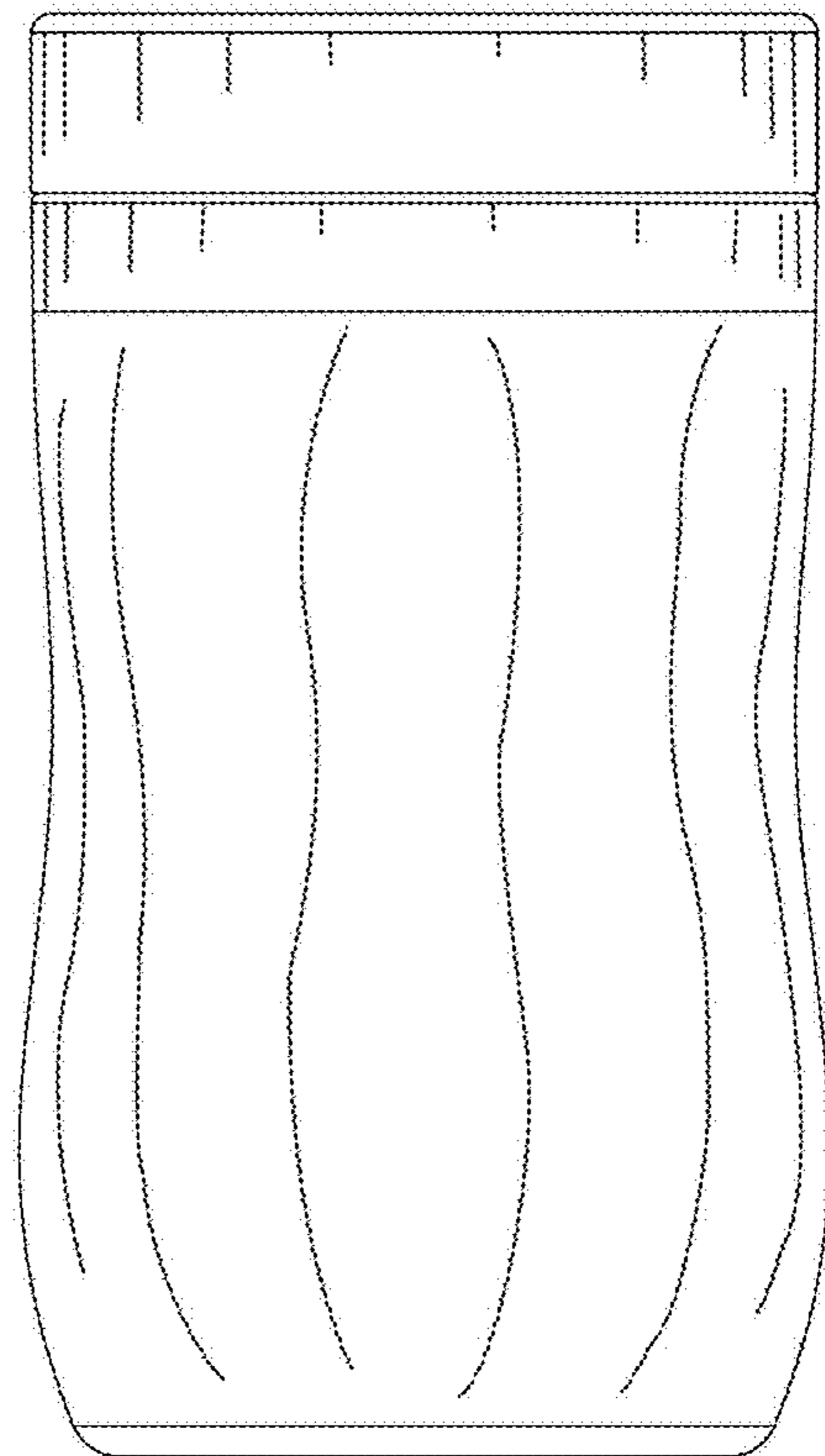


FIG. 4

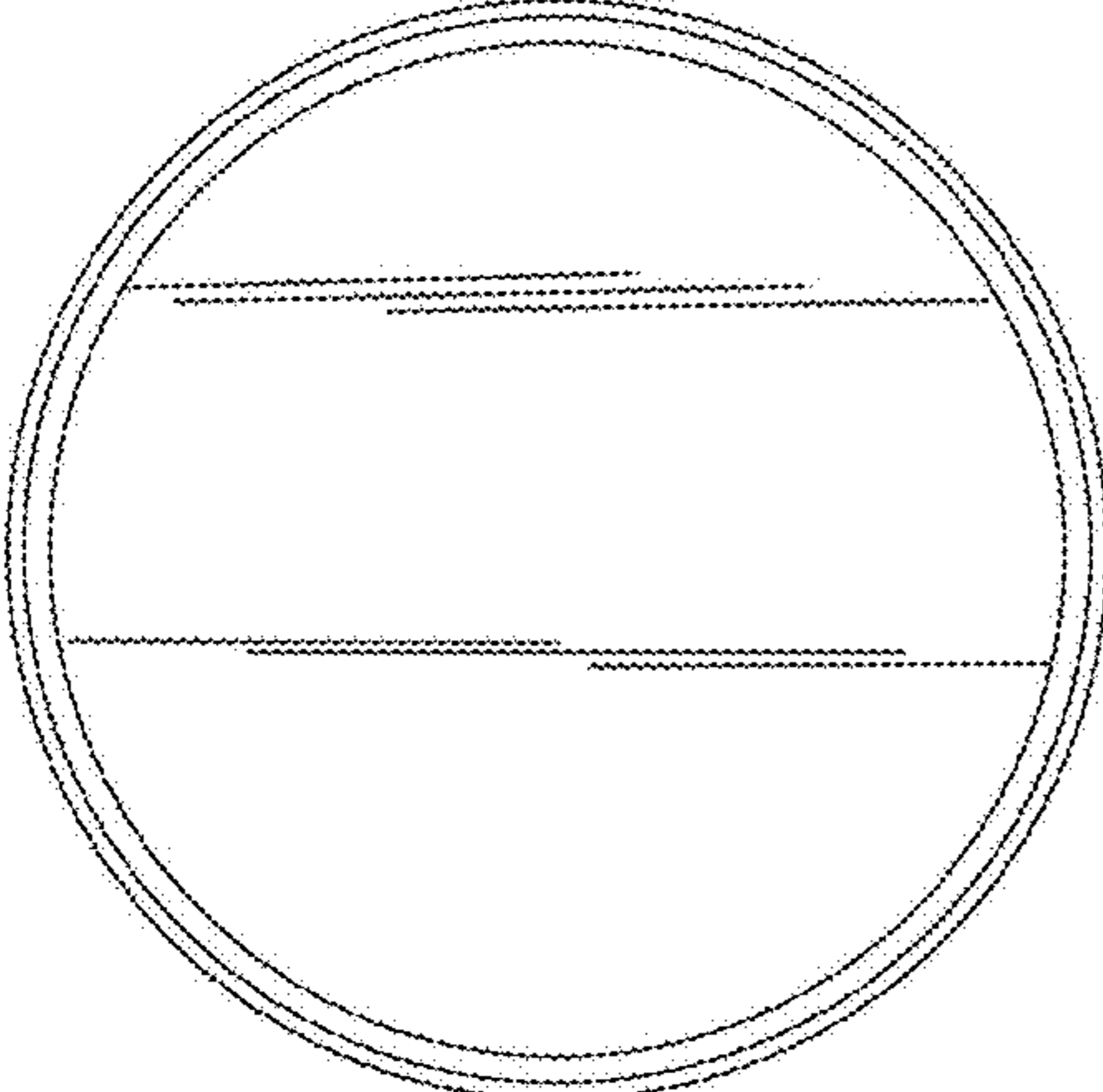


FIG. 5

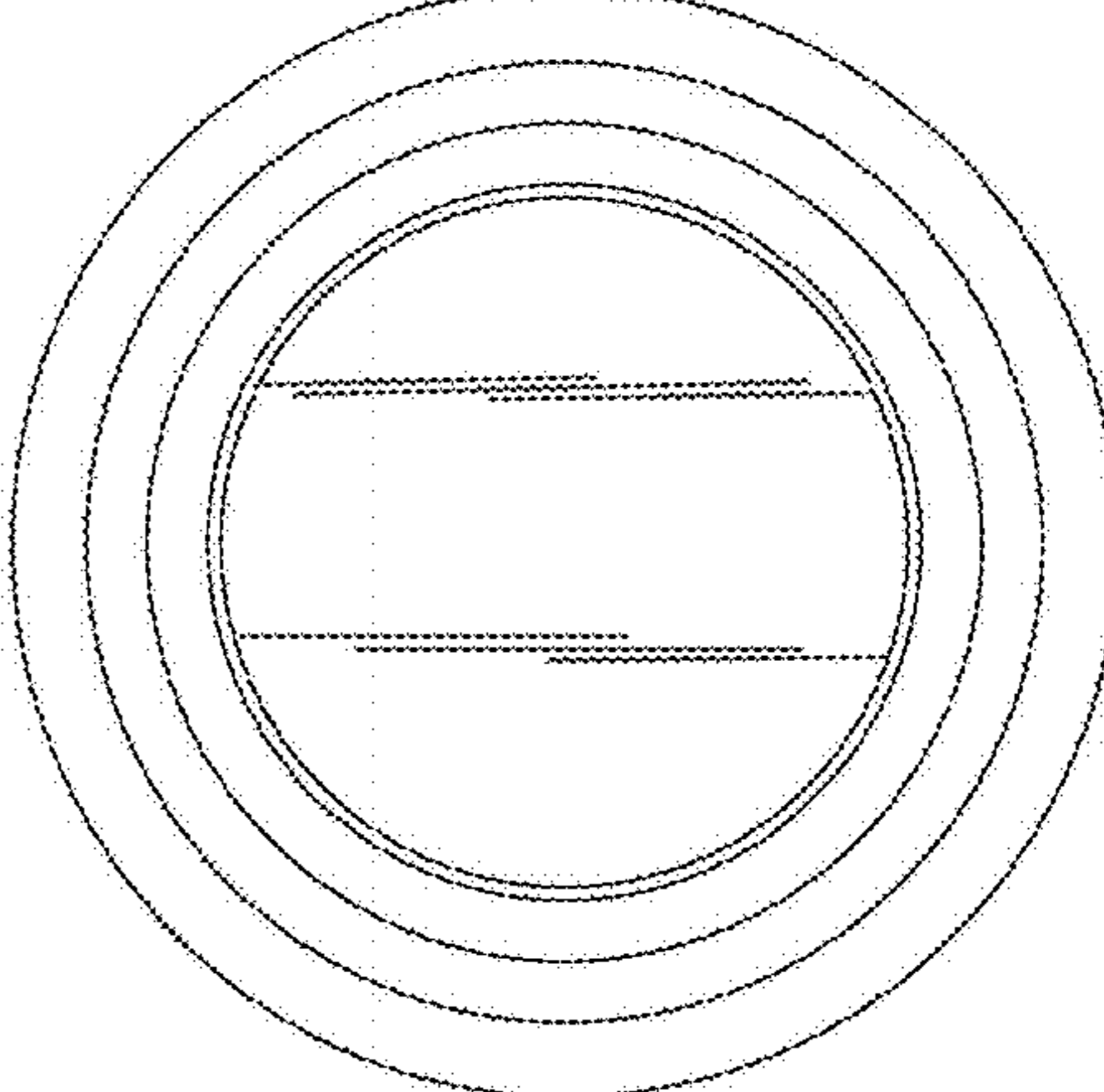


FIG. 6

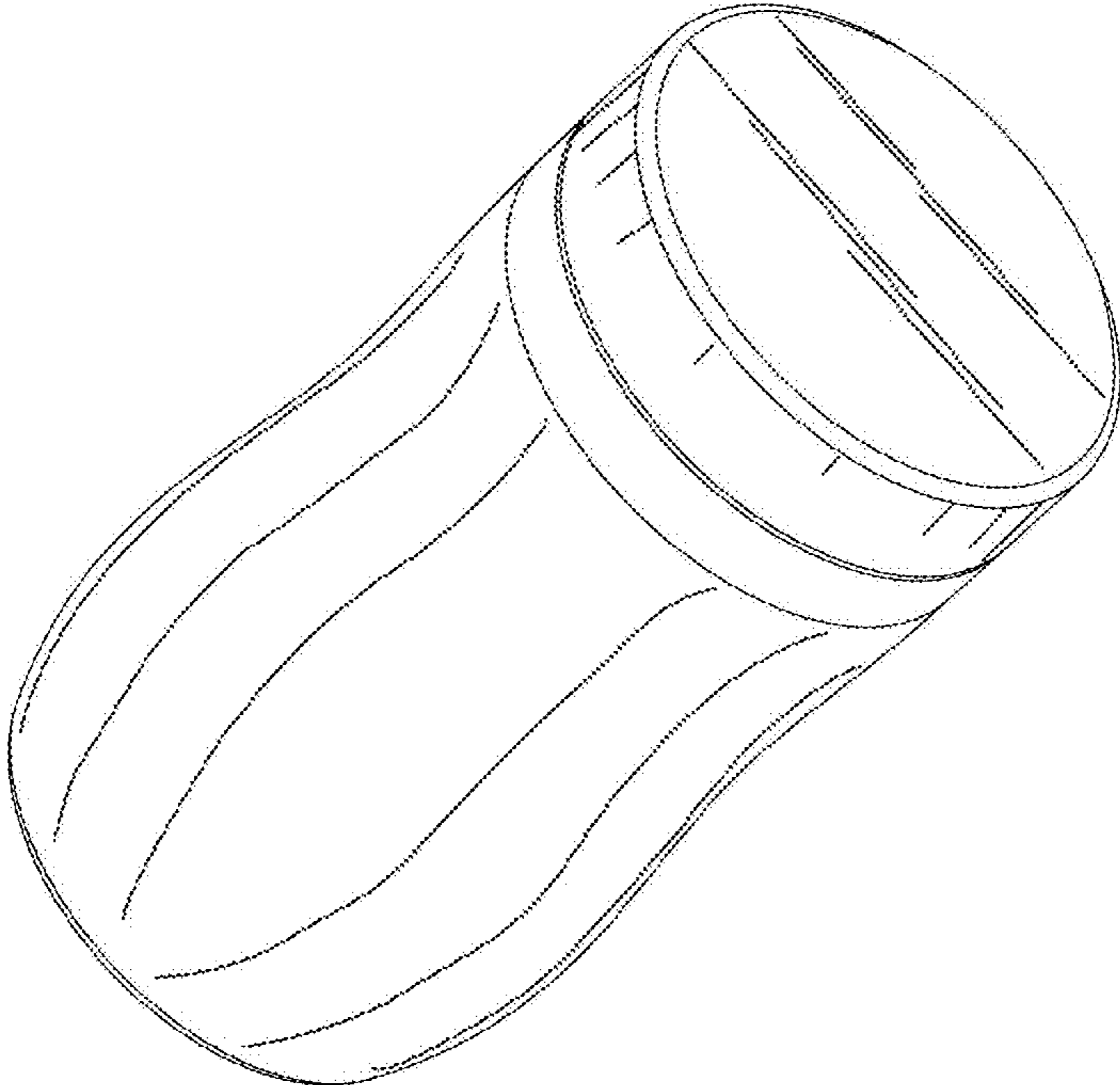


FIG. 7

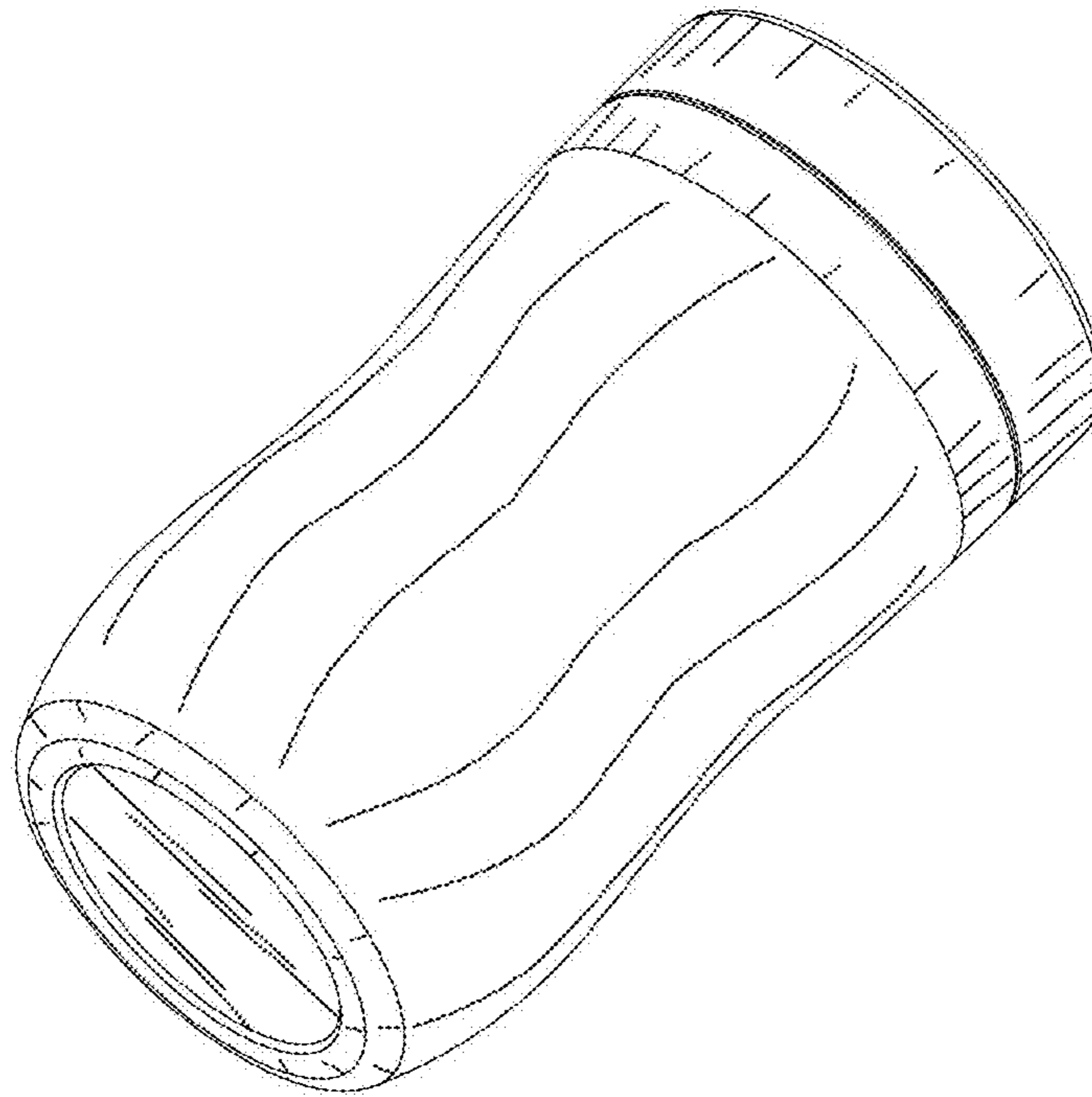


FIG. 8

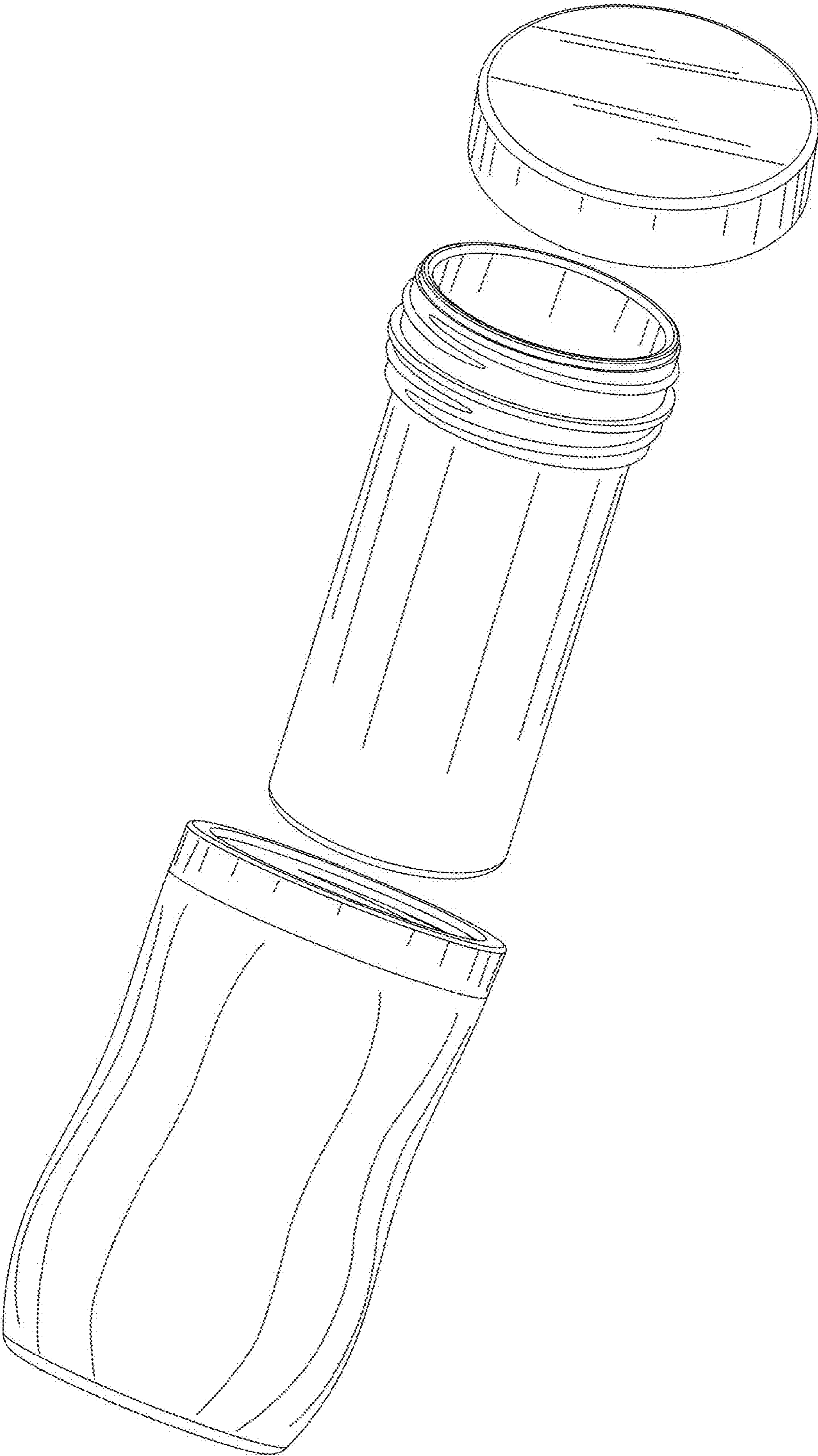


FIG. 9