



US00D851455S

(12) **United States Design Patent**  
**Lee**

(10) **Patent No.:** **US D851,455 S**  
(45) **Date of Patent:** **\*\* Jun. 18, 2019**

(54) **PILL BOX ORGANIZER WITH BOTTLE**  
(71) Applicant: **E-LINK PLASTIC & METAL INDUSTRIAL CO., LTD.**, New Taipei (TW)  
(72) Inventor: **Ming-Kun Lee**, New Taipei (TW)  
(73) Assignee: **E-LINK PLASTIC & METAL INDUSTRIAL CO., LTD.**, New Taipei (TW)

(\*\*) Term: **15 Years**

(21) Appl. No.: **29/640,471**

(22) Filed: **Mar. 14, 2018**

(51) **LOC (11) Cl.** ..... **07-01**

(52) **U.S. Cl.**  
USPC ..... **D7/507; D7/529; D7/513; D7/511; D3/203.3**

(58) **Field of Classification Search**  
USPC ..... D7/505, 507, 509, 510, 511, 523, 532, D7/608, 300.1, 213, 392.1, 396.2, 387, D7/396.6, 624.1, 624.2, 529, 396.4, 533, D7/536, 531, 513; D9/500, 501, 502, D9/503, 504, 505, 516, 530, 556, 569, D9/537, 549, 557, 546, 517; 220/529.16, 220/529.17; D24/197; 215/381; D23/207, 209; D14/212, 214, 216; D3/202, 203.2, 203.3, 300  
CPC ..... A47G 19/2205; A47G 19/2272; A47G 19/2266; A47J 43/27; A47J 41/02; A45F 3/16  
See application file for complete search history.

(56) **References Cited**

**U.S. PATENT DOCUMENTS**

D278,513 S \* 4/1985 Ebeling ..... D3/203.3  
D279,621 S \* 7/1985 Richer ..... D19/75

5,782,359 A \* 7/1998 McAllister ..... B65D 41/06 206/1.5  
D463,102 S \* 9/2002 Rosado ..... D3/203.3  
D476,894 S \* 7/2003 Masotta ..... D9/503  
7,090,072 B1 \* 8/2006 Elliott ..... B44D 3/122 206/15.3  
D609,521 S \* 2/2010 Holsinger ..... D7/313  
D614,033 S \* 4/2010 Hassamanci ..... D9/504  
D624,361 S \* 9/2010 Roth ..... D7/509  
D639,113 S \* 6/2011 Hayes ..... D7/509  
D663,113 S \* 7/2012 Simms ..... D3/203.3  
D740,610 S \* 10/2015 Eyal ..... D7/509  
D746,046 S \* 12/2015 Lee ..... D3/203.3  
D757,274 S \* 5/2016 Gelb ..... D24/176  
D760,541 S \* 7/2016 Kane ..... D7/510  
D768,494 S \* 10/2016 Li ..... D9/504  
9,549,639 B2 \* 1/2017 Garr ..... A47J 43/27

(Continued)

*Primary Examiner* — Marianne N Pandozzi

*Assistant Examiner* — Jae Liang

(74) *Attorney, Agent, or Firm* — Chun-Ming Shih

(57) **CLAIM**

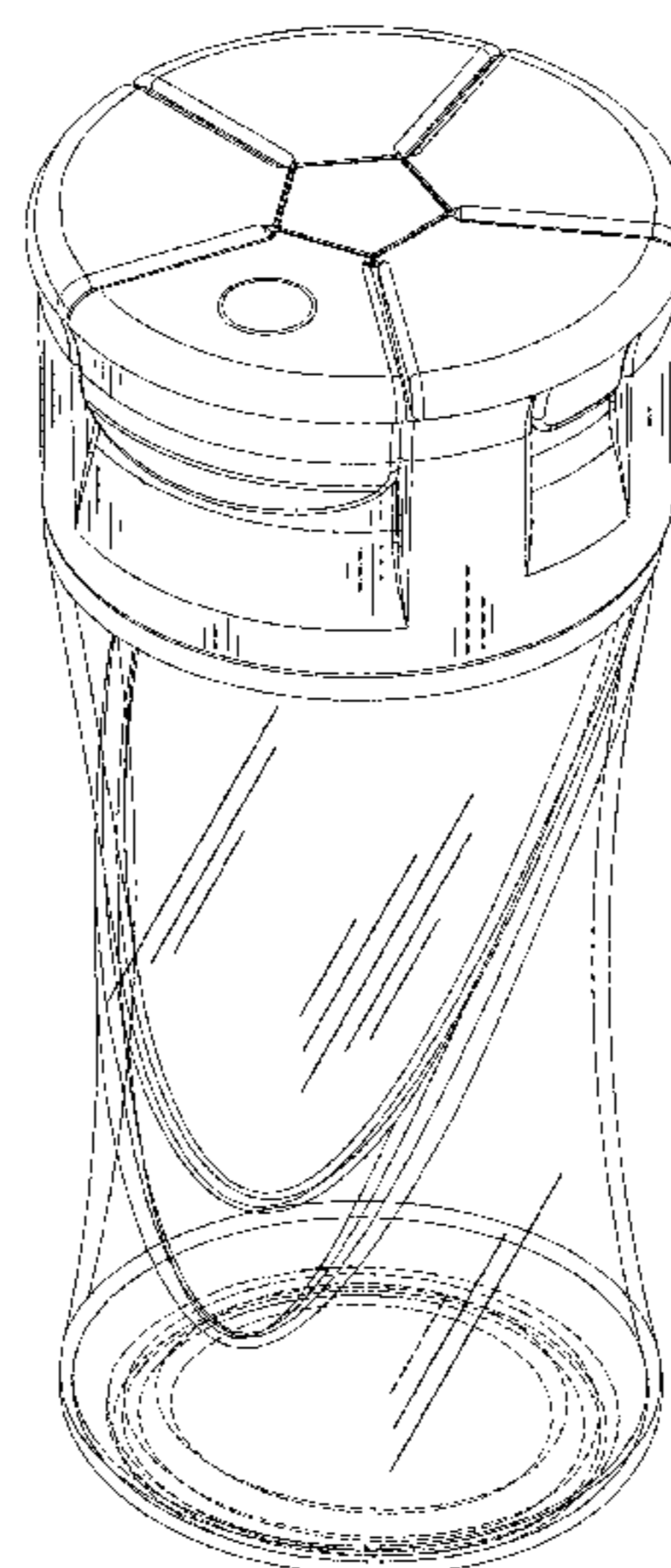
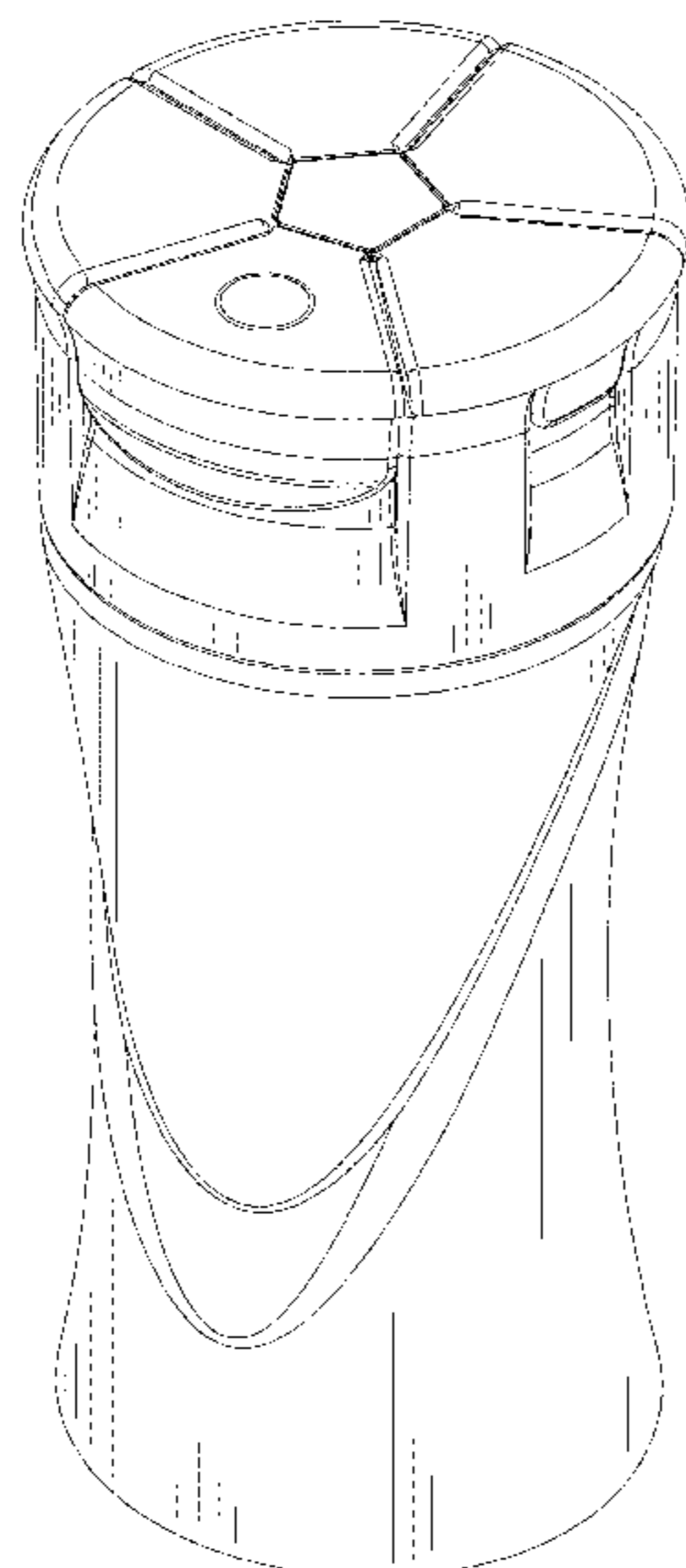
The ornamental design for a pill box organizer with bottle, as shown and described.

**DESCRIPTION**

FIG. 1 is a front left perspective view of a first embodiment of a pill box organizer with bottle showing my new design; FIG. 2 is a front perspective view thereof; FIG. 3 is a rear perspective view thereof; FIG. 4 is a left side elevational view thereof; FIG. 5 is a right side elevational view thereof; FIG. 6 is a top plan view thereof; FIG. 7 is a bottom plan view thereof; and, FIG. 8 is a perspective view of a second embodiment of a pill box organizer.

The broken lines in the drawings depict environmental subject matter only and form no part of the claimed design.

**1 Claim, 7 Drawing Sheets**



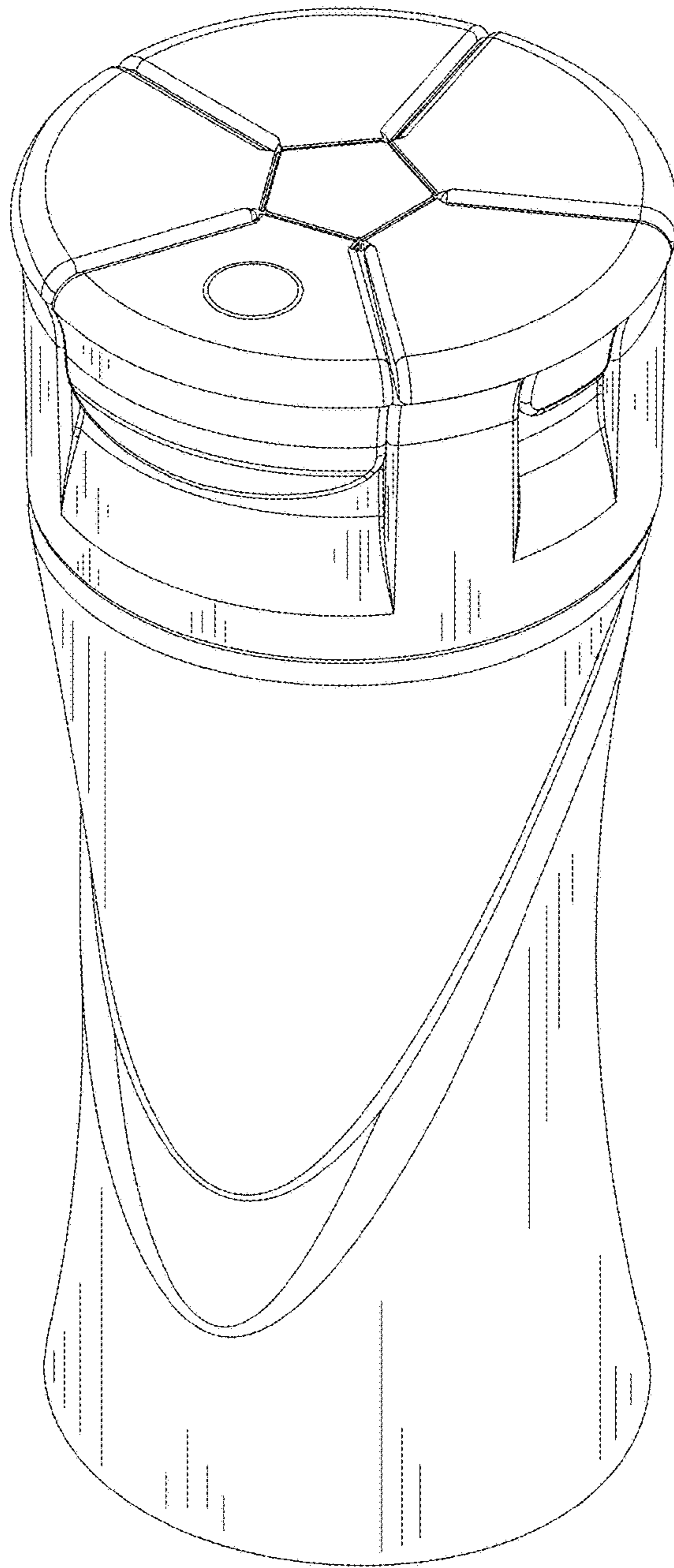
(56)

**References Cited**

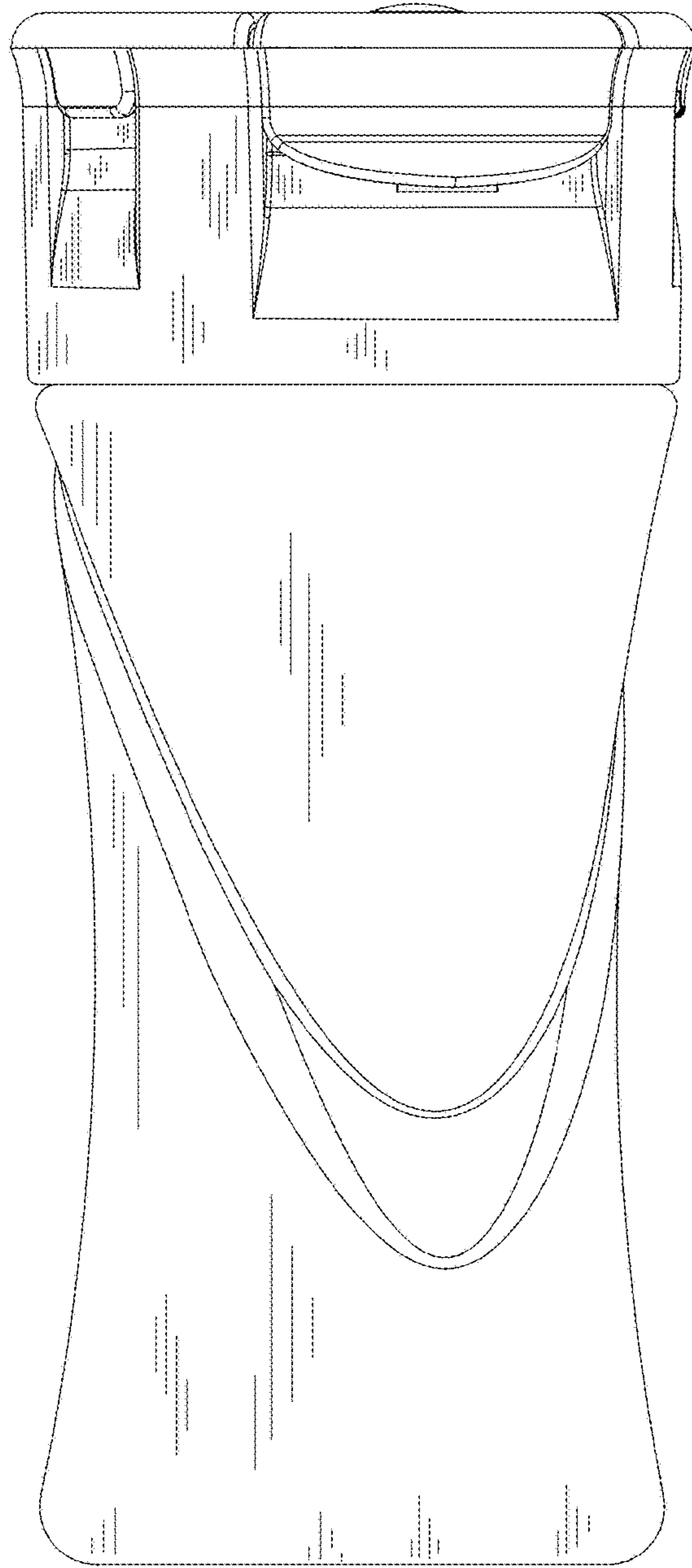
U.S. PATENT DOCUMENTS

D805,355 S *	12/2017	Steel .....	D7/529
D810,510 S *	2/2018	Serruya .....	D7/511
D812,479 S *	3/2018	Li .....	D9/503
D821,818 S *	7/2018	Eyal .....	D7/529
D830,775 S *	10/2018	Lewis .....	D7/513
2014/0110411 A1 *	4/2014	Saslekov .....	B65D 5/60 220/495.03
2015/0144516 A1 *	5/2015	Shamoon .....	B65D 25/04 206/459.1
2016/0270600 A1 *	9/2016	Pappas .....	A47J 43/27
2017/0361985 A1 *	12/2017	Kaminkow .....	B65D 25/04

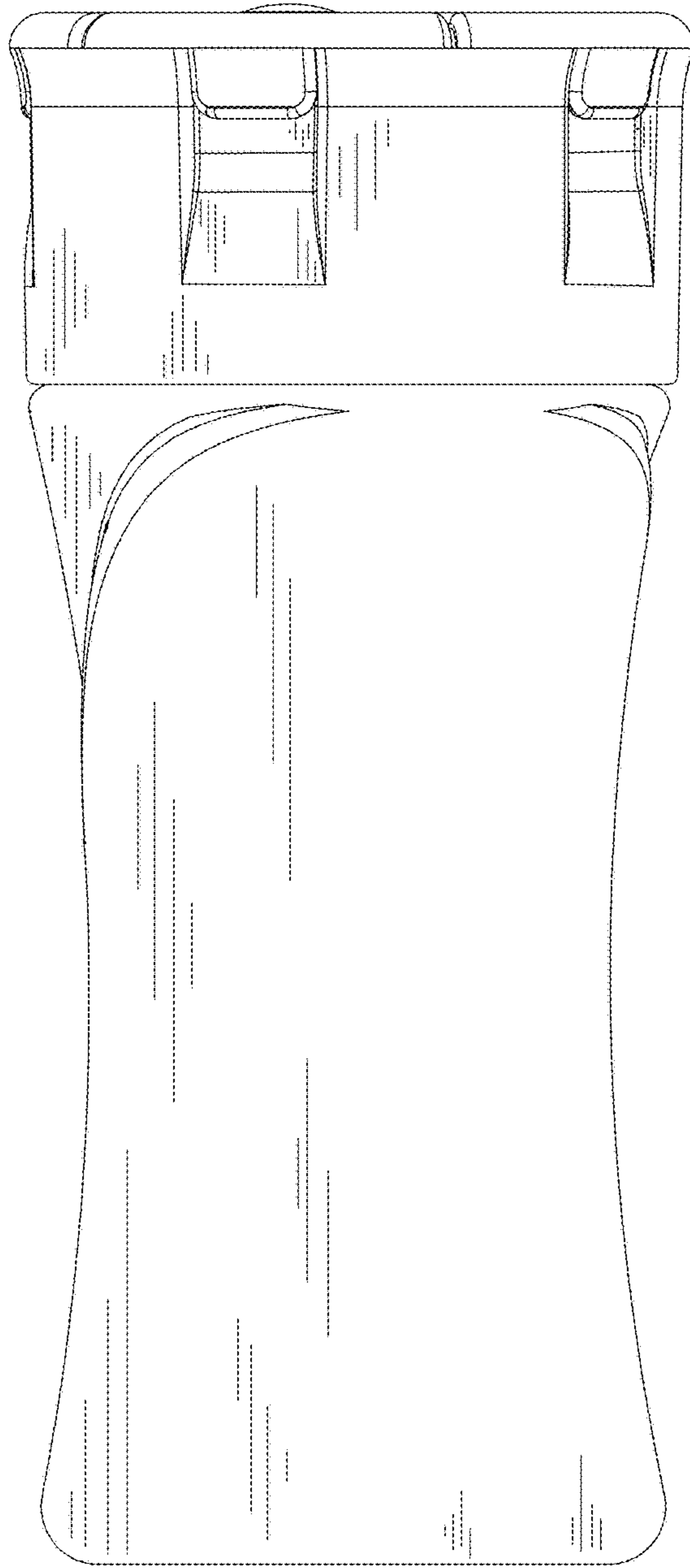
\* cited by examiner



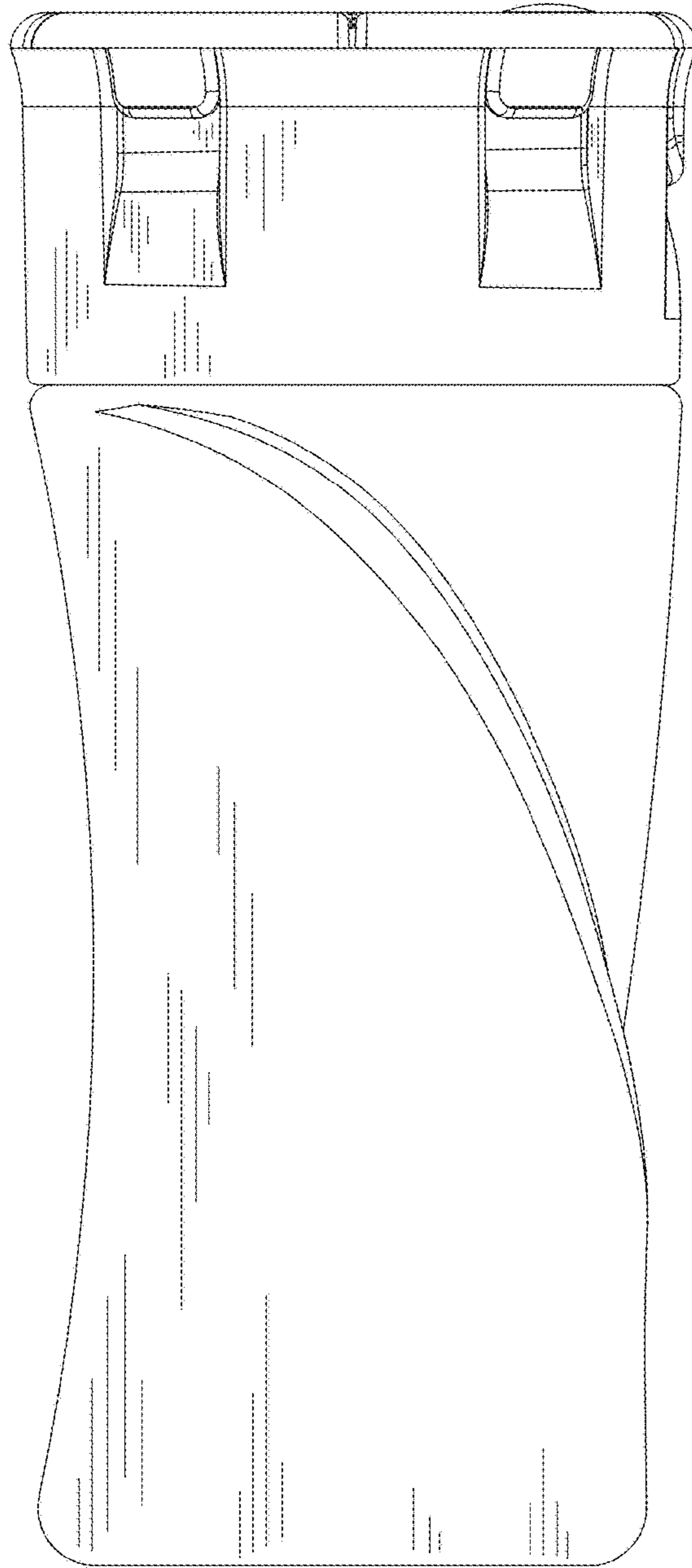
*FIG. 1*



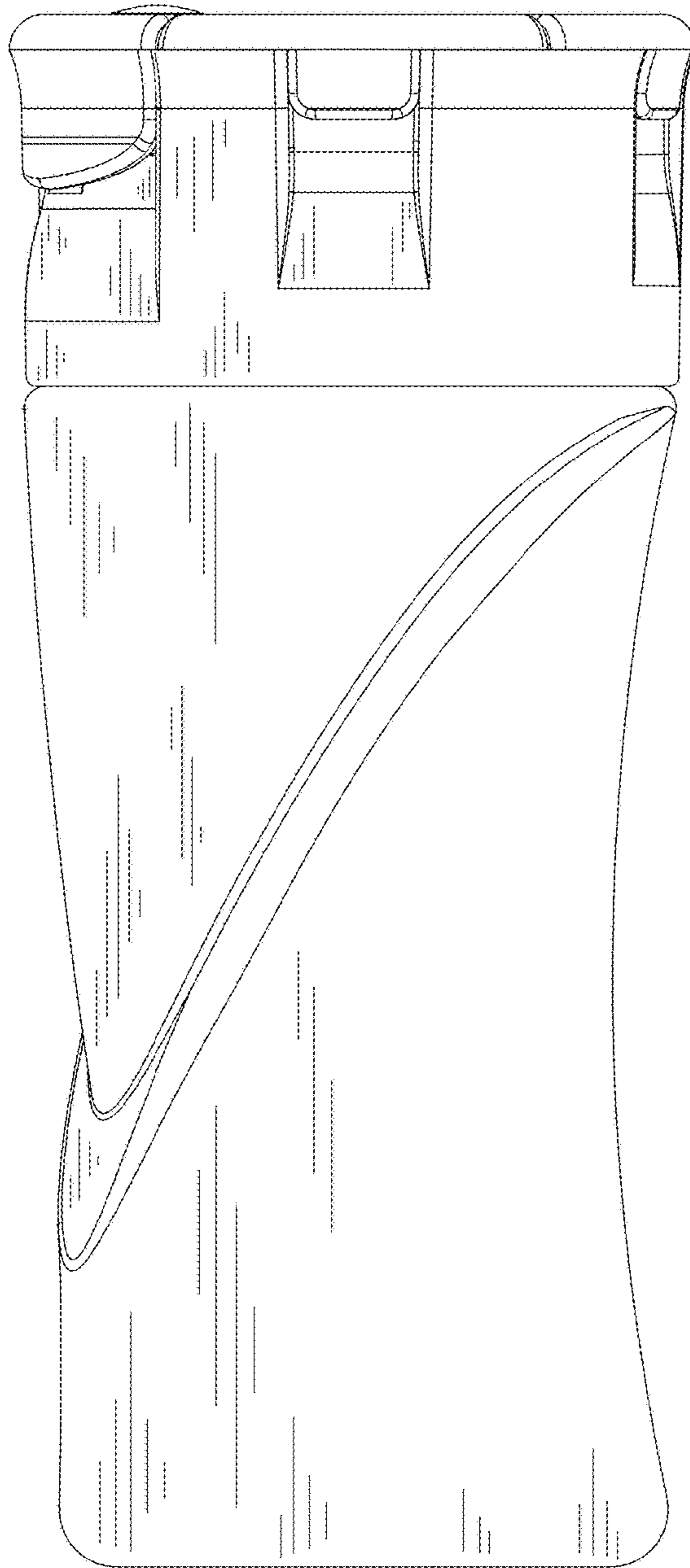
*FIG.2*



*FIG. 3*



*FIG.4*



*FIG. 5*

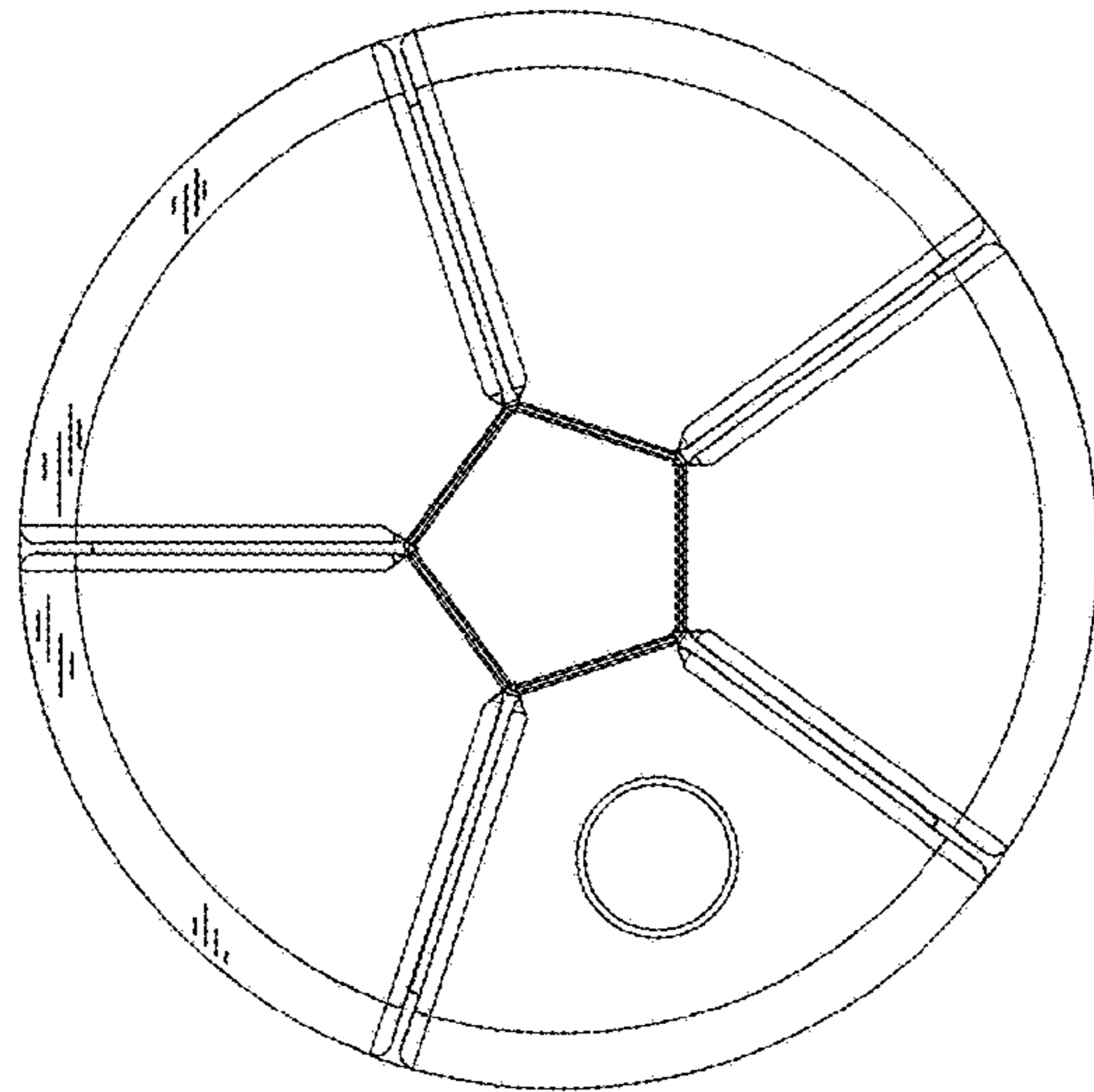


FIG. 6

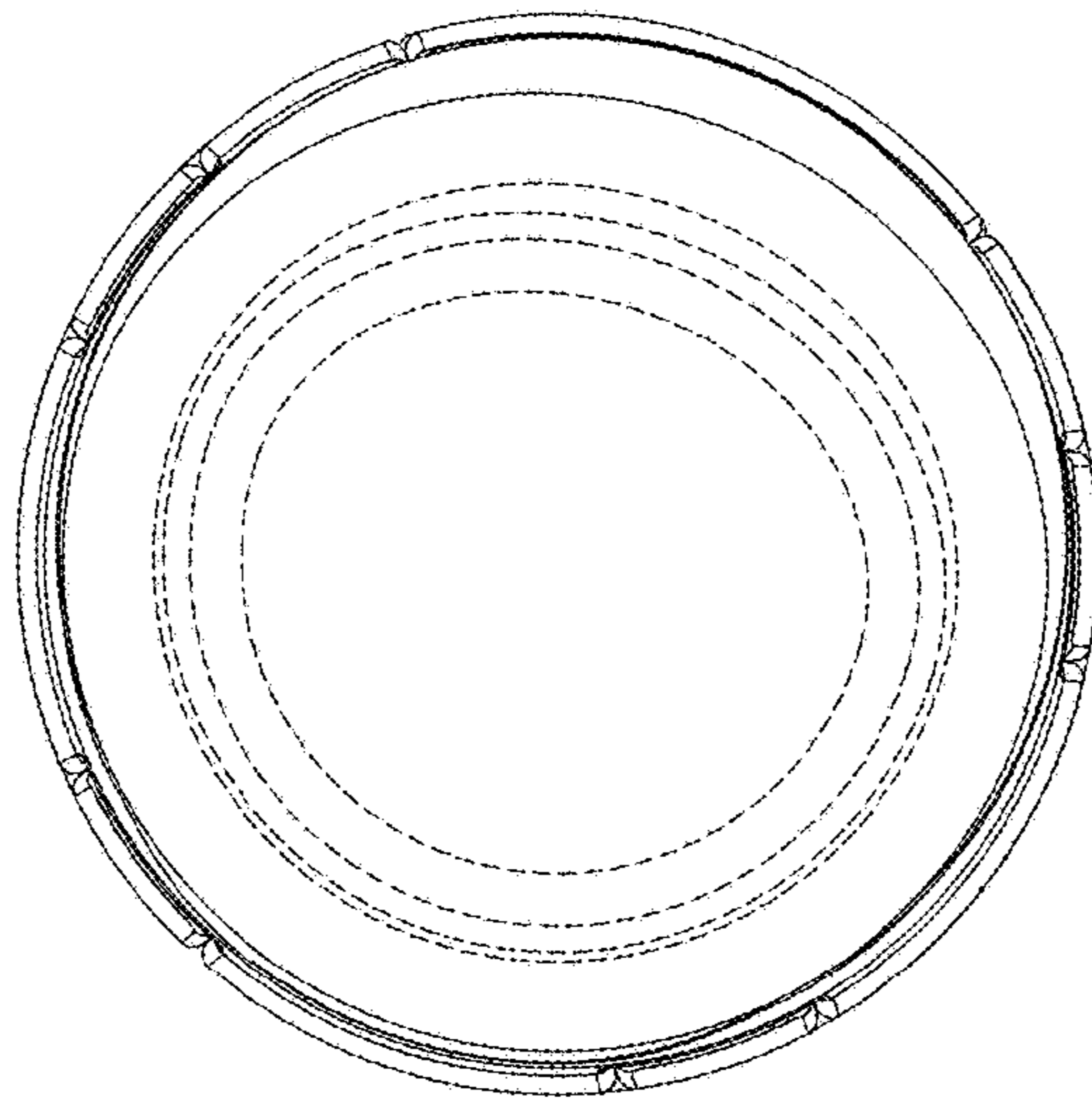


FIG. 7



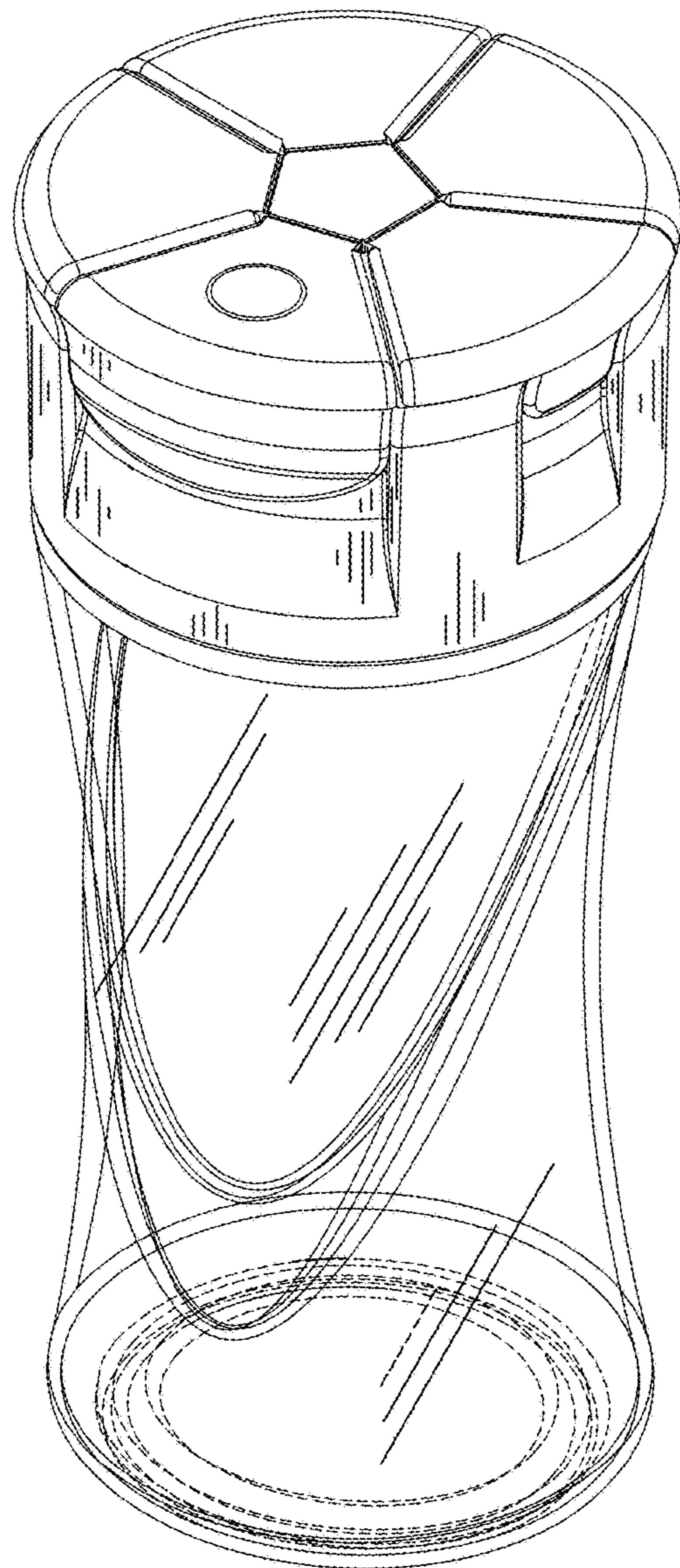


FIG. 8