



US00D851454S

(12) **United States Design Patent**  
**Lefkowitz**

(10) **Patent No.:** **US D851,454 S**  
(45) **Date of Patent:** **\*\* Jun. 18, 2019**

(54) **BOAT-SHAPED DECANTER BASE**

(71) Applicant: **Chaim Lefkowitz**, Brooklyn, NY (US)

(72) Inventor: **Chaim Lefkowitz**, Brooklyn, NY (US)

(73) Assignee: **GODINGER SILVER ART, LTD.**,  
Ridgewood, NY (US)

(\*\*) Term: **15 Years**

(21) Appl. No.: **29/673,339**

(22) Filed: **Dec. 13, 2018**

(51) **LOC (11) Cl.** ..... **07-01**

(52) **U.S. Cl.**  
USPC ..... **D7/506; D7/602; D7/505; D7/556;**  
**D7/397; D9/678**

(58) **Field of Classification Search**

USPC ..... D7/505, 507, 509, 510, 511, 512, 523,  
D7/532, 533, 536, 396.6, 387, 320, 321,  
D7/300.2, 213, 608, 393, 624.1, 543, 591,  
D7/593, 642, 654, 656, 653, 549, 544,  
D7/553.6, 506, 604, 598, 601, 602, 632,  
D7/514, 515, 556, 567, 571, 551.1, 397;  
D3/202; D24/197; D9/695, 698, 522,  
D9/454, 439, 435, 434, 436, 531, 517,  
D9/707, 708, 709, 528, 549, 678, 636,  
D9/639, 640  
CPC .... B65D 47/066; B65D 1/0223; B65D 33/00;  
B65D 33/16; A47G 19/2272; A47G  
19/2205; A47G 19/2266; A47J 41/02;  
B29C 49/04

See application file for complete search history.

(56) **References Cited**

**U.S. PATENT DOCUMENTS**

D102,457 S \* 12/1936 Spence ..... D7/564  
D164,056 S \* 7/1951 Pasta ..... D7/556  
D164,077 S \* 7/1951 Wendell ..... D7/556  
D175,167 S \* 7/1955 Hubbard ..... D7/556  
D209,628 S \* 12/1967 Burnsworth ..... D21/542

D229,005 S \* 11/1973 Davis ..... D7/544  
D229,238 S \* 11/1973 Milne ..... D12/300  
D249,218 S \* 9/1978 Mathison ..... D7/550.1  
D258,071 S \* 1/1981 Walker ..... D21/543

(Continued)

**FOREIGN PATENT DOCUMENTS**

CN 302610714 10/2013  
CN 302611989 10/2013

(Continued)

**OTHER PUBLICATIONS**

[https://www.amazon.com/Whiskey-Decanter-Globe-Etched-Glasses/dp/B077Y2SJML/ref=sr\\_1\\_3?ie=UTF8&qid=1548979483&sr=8-3&keywords=whiskey+decanter+globe+set](https://www.amazon.com/Whiskey-Decanter-Globe-Etched-Glasses/dp/B077Y2SJML/ref=sr_1_3?ie=UTF8&qid=1548979483&sr=8-3&keywords=whiskey+decanter+globe+set) Dec. 5, 2017 Godinger Whiskey Decanter.\*

(Continued)

*Primary Examiner* — Marianne N Pandozzi

*Assistant Examiner* — Jae Liang

(74) *Attorney, Agent, or Firm* — Cozen O'Connor

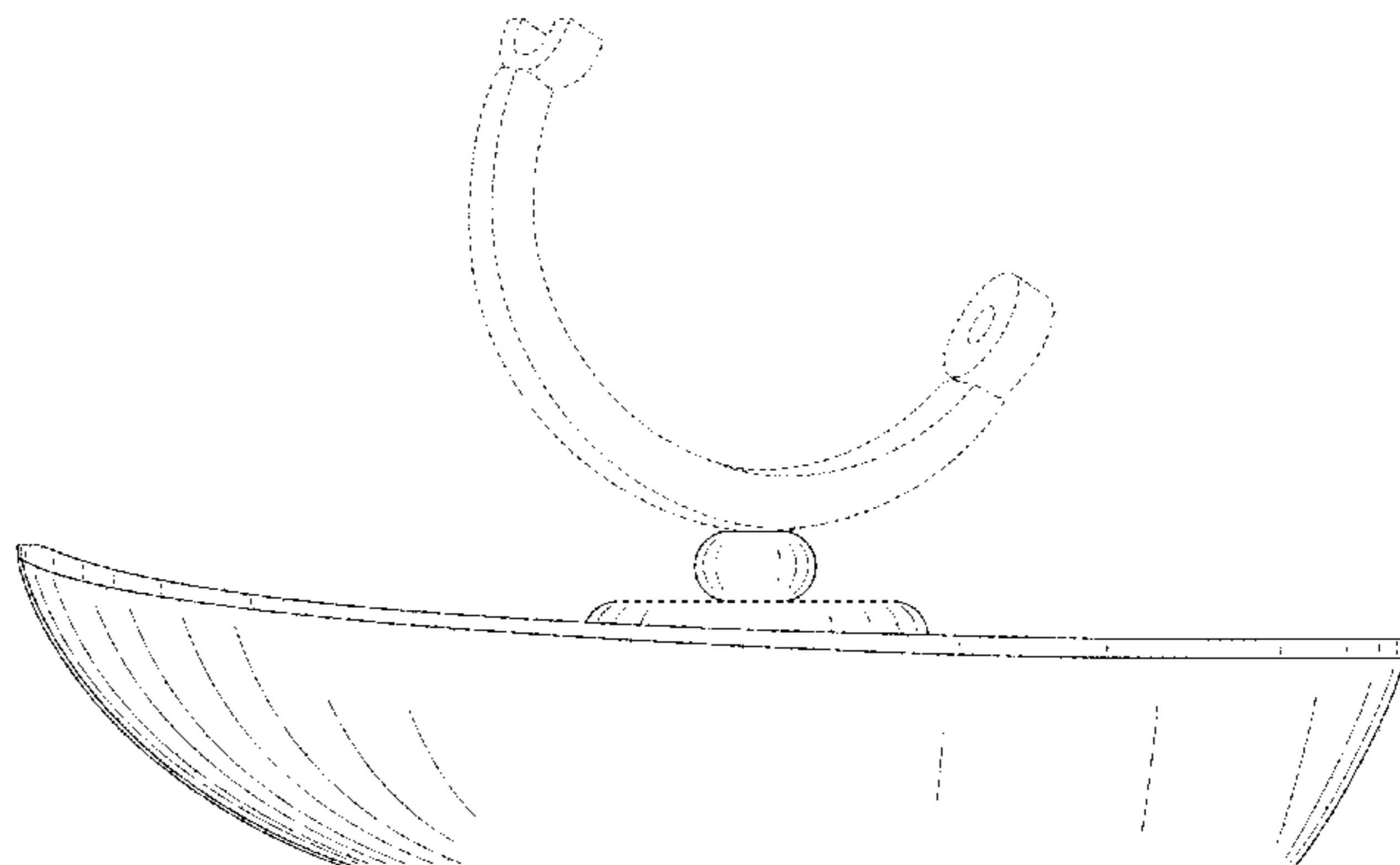
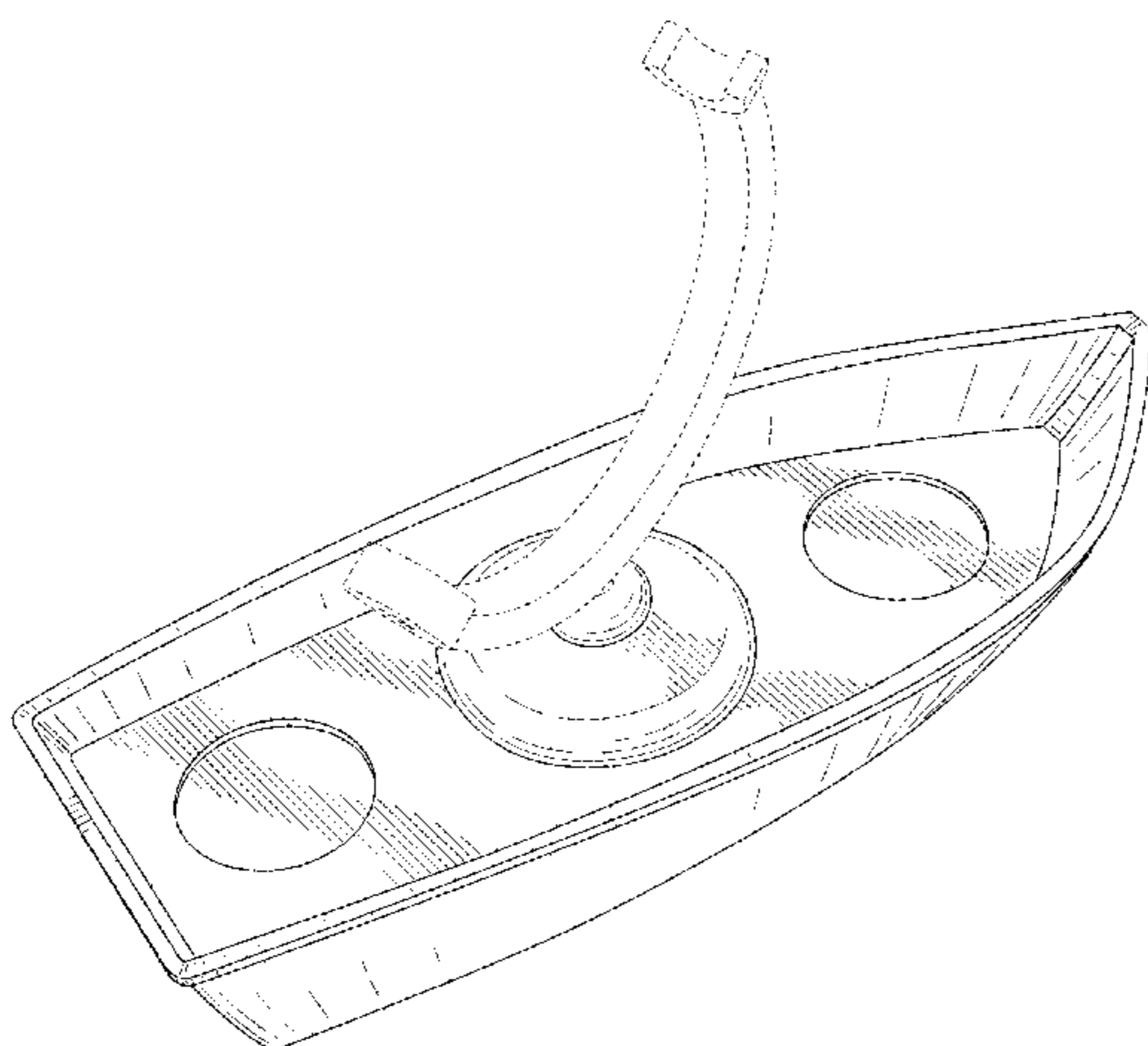
(57) **CLAIM**

The ornamental design for a boat-shaped decanter base, as shown and described.

**DESCRIPTION**

FIG. 1 is a perspective view of a boat-shaped decanter base showing my new design;  
FIG. 2 is a right side view thereof;  
FIG. 3 is a left side view thereof;  
FIG. 4 is a front view thereof;  
FIG. 5 is a rear view thereof;  
FIG. 6 is a top view thereof;  
FIG. 7 is a bottom view thereof; and,  
FIG. 8 is an environmental perspective view thereof.  
The broken lines in the drawings depict environmental subject matter only and form no part of the claimed design.

**1 Claim, 8 Drawing Sheets**



(56)

**References Cited**

U.S. PATENT DOCUMENTS

4,512,512 A \* 4/1985 Fleming ..... B65D 5/36  
 206/229  
 D288,511 S \* 3/1987 Sullivan ..... D21/544  
 D342,646 S \* 12/1993 Sicard ..... D7/551.1  
 D357,372 S \* 4/1995 McArdle ..... D7/601  
 5,474,188 A \* 12/1995 McArdle ..... A47F 7/0071  
 211/85.4  
 D374,467 S \* 10/1996 Cziraky ..... D19/82  
 D379,889 S \* 6/1997 McArdle ..... D6/513  
 D383,040 S \* 9/1997 McArdle ..... D6/674  
 D482,934 S \* 12/2003 Liu ..... D7/602  
 D563,728 S \* 3/2008 Welch, III ..... D7/500  
 D610,877 S \* 3/2010 Cooper ..... D7/544  
 D714,593 S \* 10/2014 Light ..... D7/606  
 D719,222 S \* 12/2014 Kasahara ..... D21/542  
 D796,268 S \* 9/2017 Karsevar ..... D7/551.1

FOREIGN PATENT DOCUMENTS

CN 303320832 8/2015  
 CN 303641289 4/2016

EM 000925326 6/2008  
 EM 002013243 4/2012  
 EM 002419200 3/2014  
 EM 001402713 4/2014  
 GB 6003308 11/2016

OTHER PUBLICATIONS

[https://www.amazon.com/Vagabond-House-Shaped-Acacia-matching/dp/B077PKYZBN/ref=sr\\_1\\_6?ie=UTF8&qid=1548979629&sr=8-6&keywords=vagabond+house](https://www.amazon.com/Vagabond-House-Shaped-Acacia-matching/dp/B077PKYZBN/ref=sr_1_6?ie=UTF8&qid=1548979629&sr=8-6&keywords=vagabond+house) Nov. 22, 2017 Vagabond House Row Boat Shaped Acacia Wood Salad Bowl.\*  
[https://www.amazon.com/Wine-Bodies-Sailboat-Accessory-Centerpiece/dp/B074CQBG4G/ref=pd\\_rhf\\_se\\_p\\_img\\_3?encoding=UTF8&pvc=1&refRID=AKJY9HYW6DZSGBE8SHZR](https://www.amazon.com/Wine-Bodies-Sailboat-Accessory-Centerpiece/dp/B074CQBG4G/ref=pd_rhf_se_p_img_3?encoding=UTF8&pvc=1&refRID=AKJY9HYW6DZSGBE8SHZR) Metal Sea Blue Sailboat Wine Bottle Holder Feb. 20, 2017.\*

\* cited by examiner

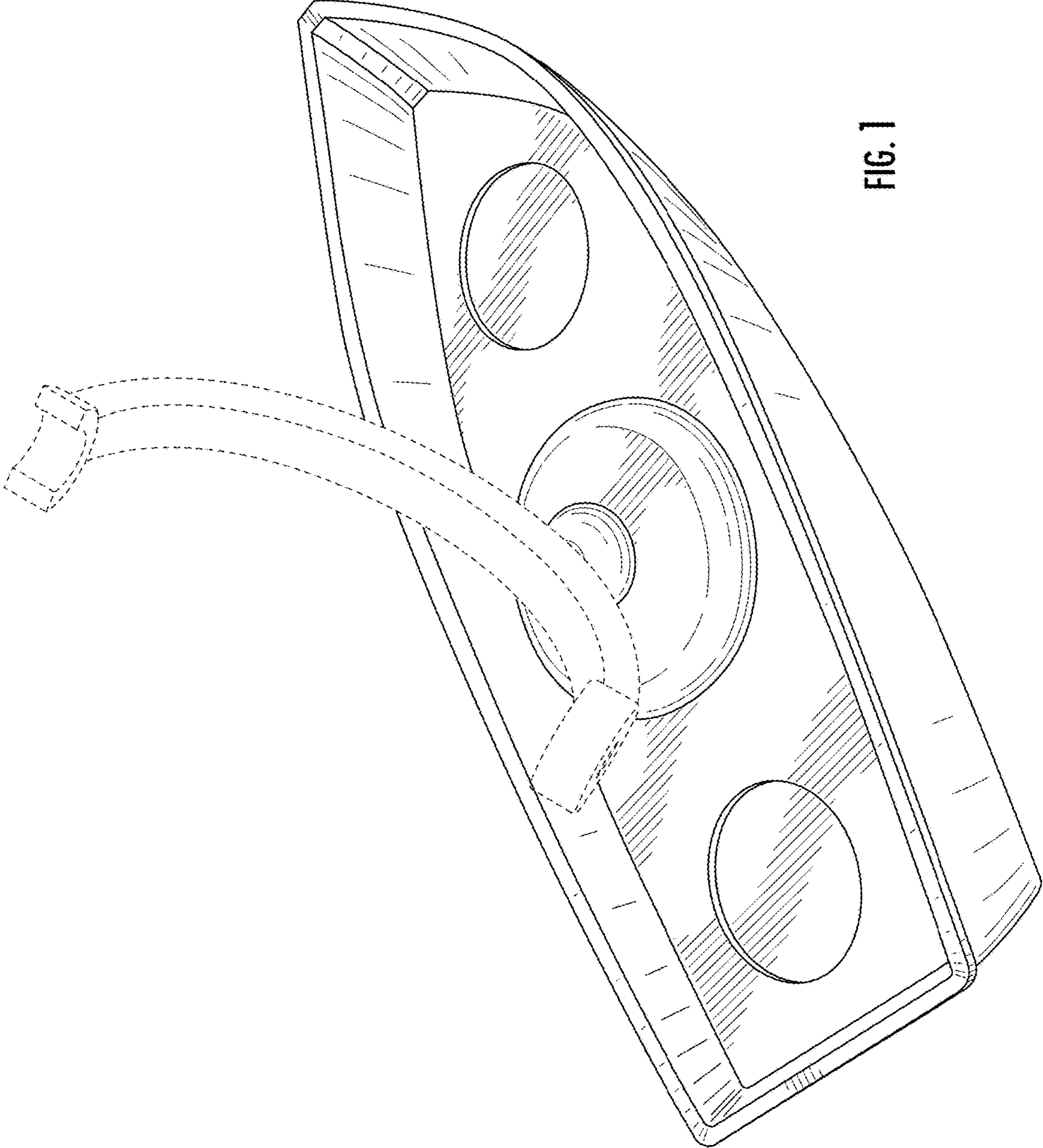


FIG. 1

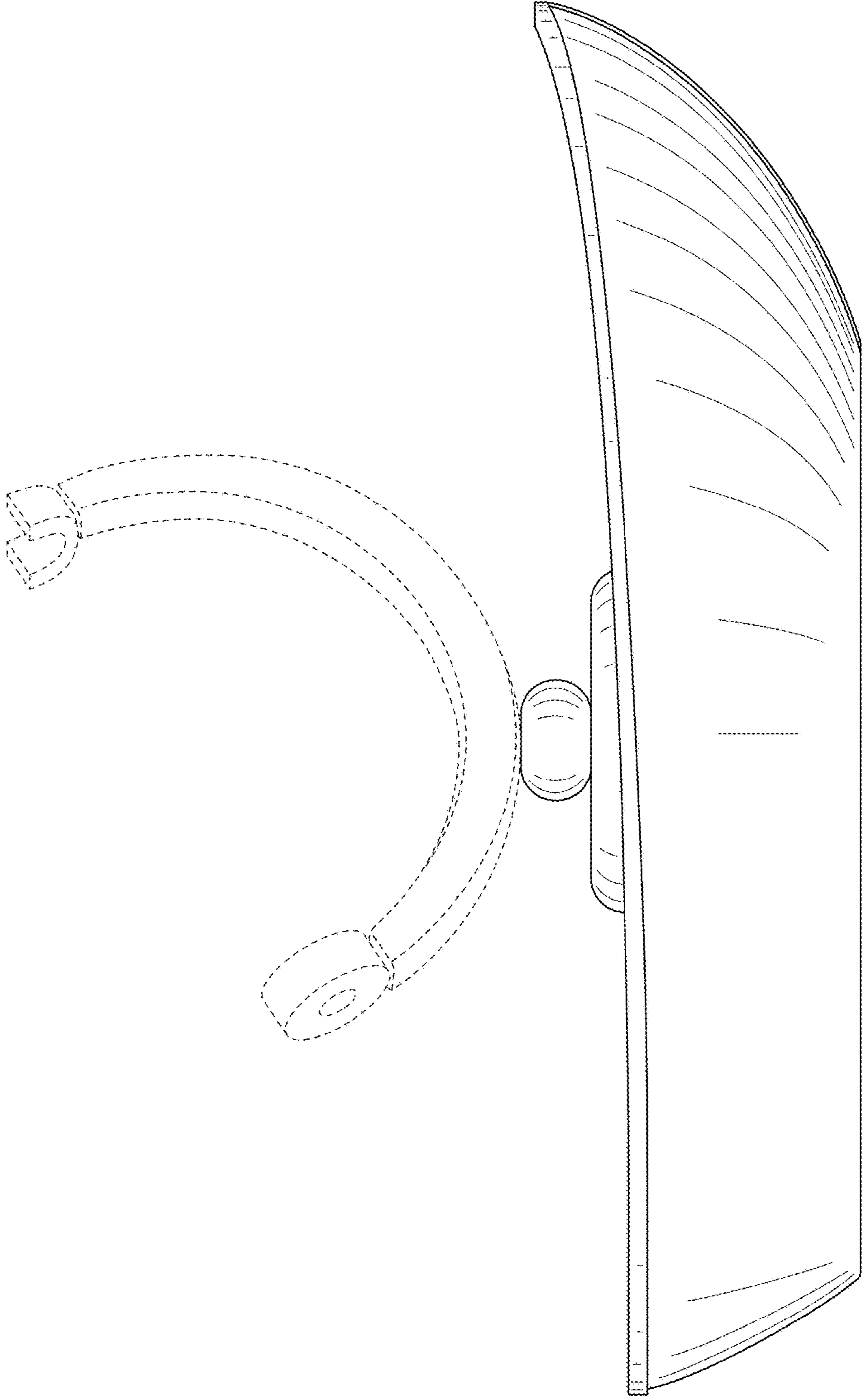


FIG. 2



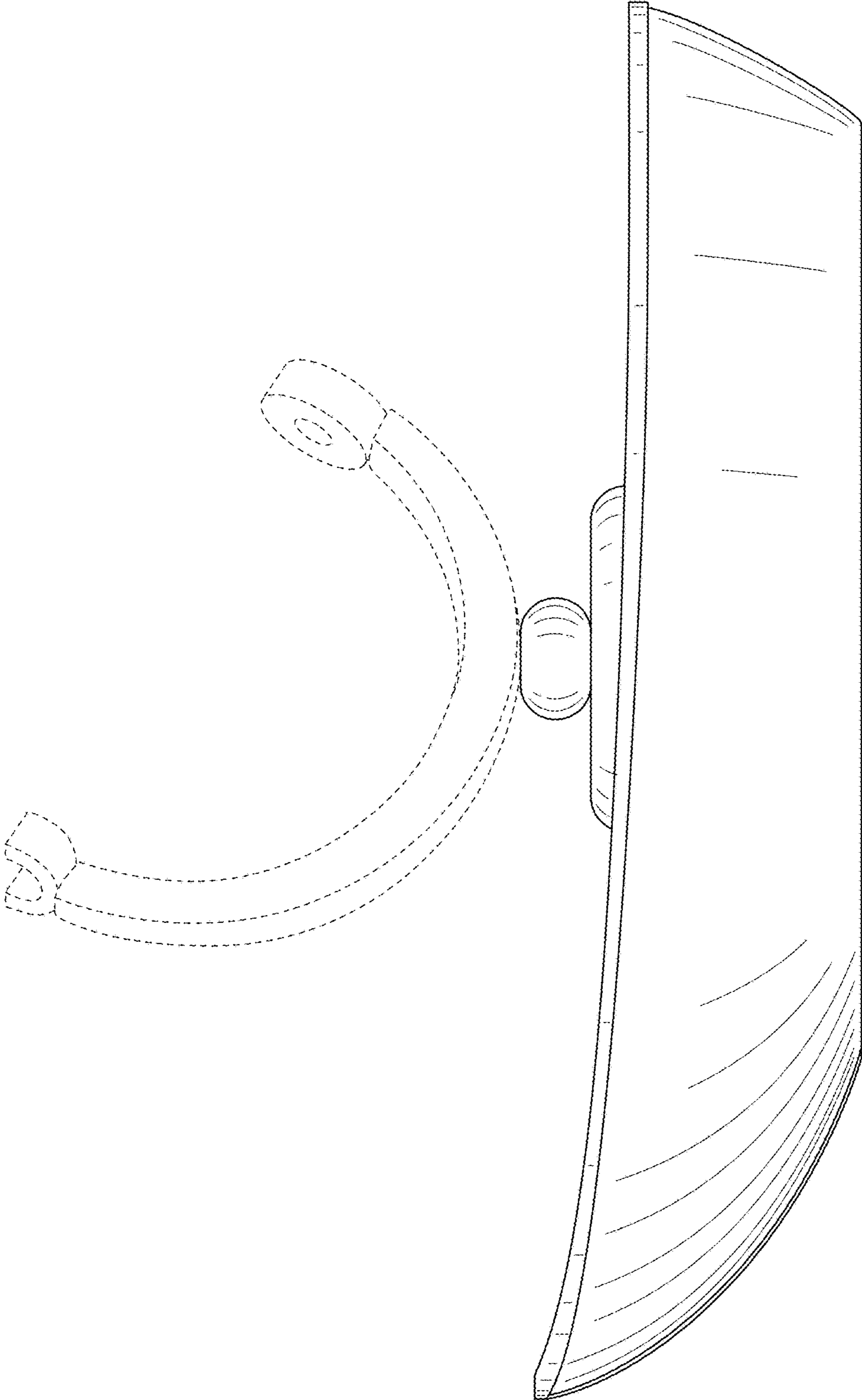


FIG. 3

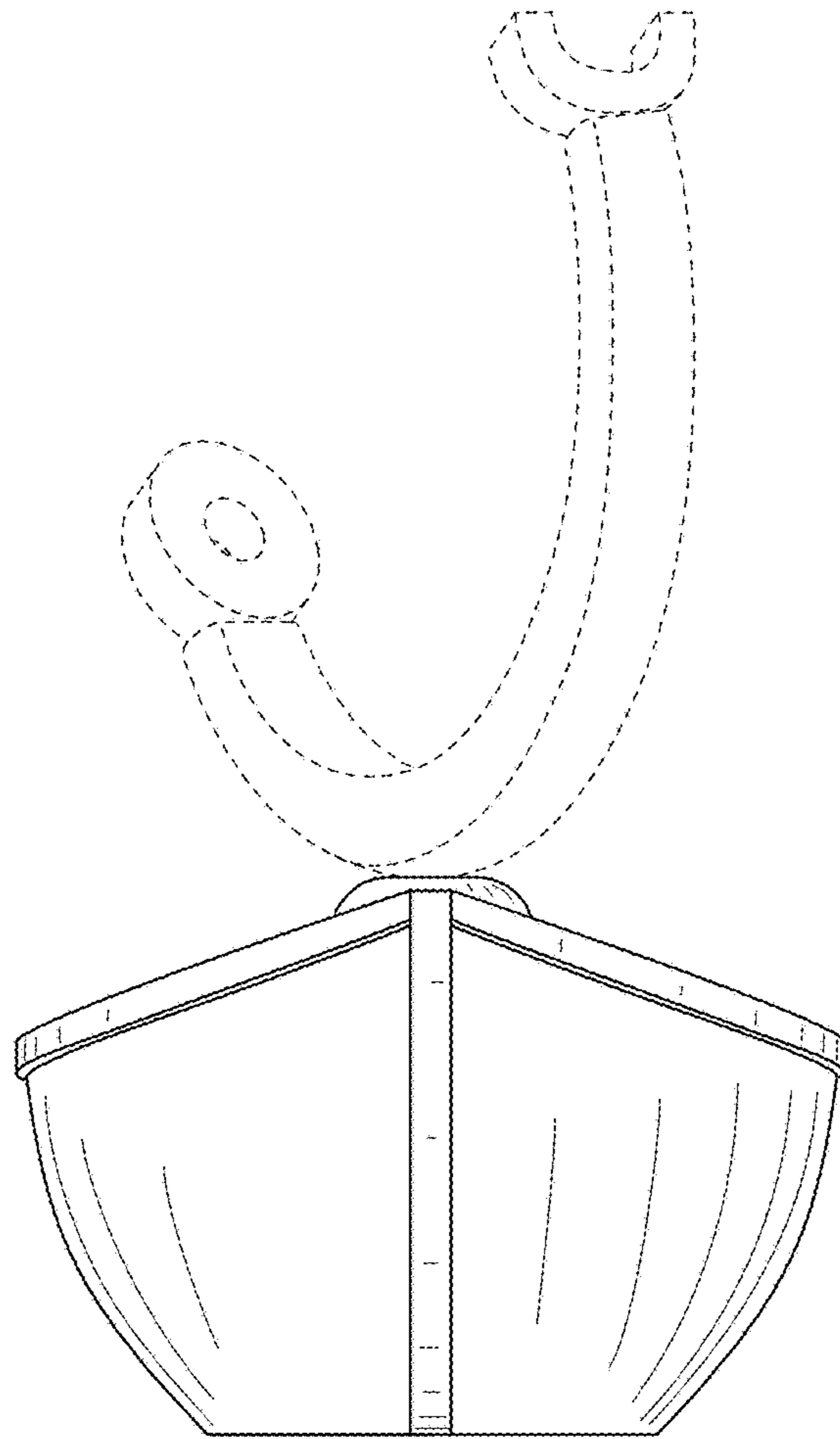


FIG. 4

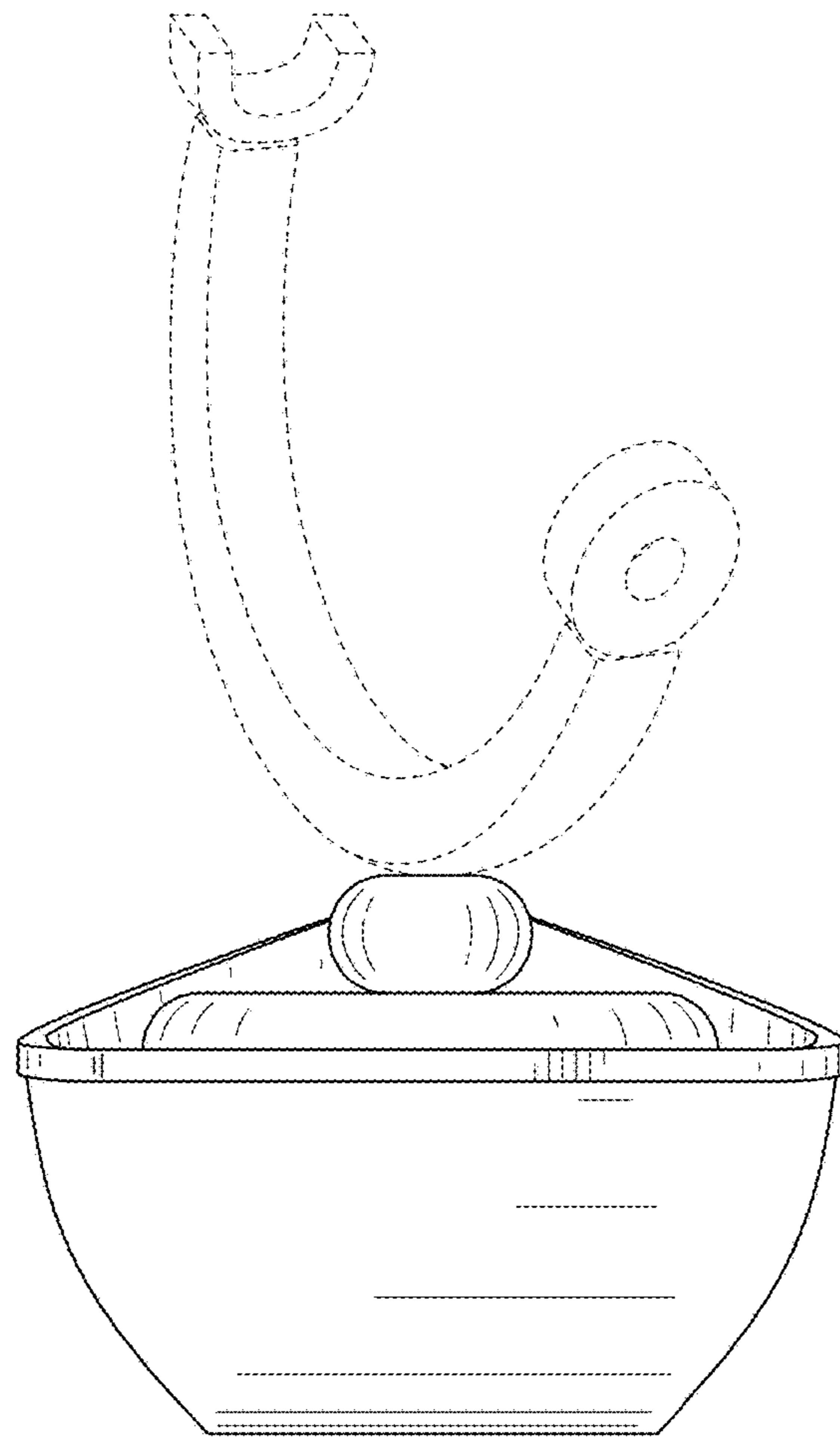


FIG. 5

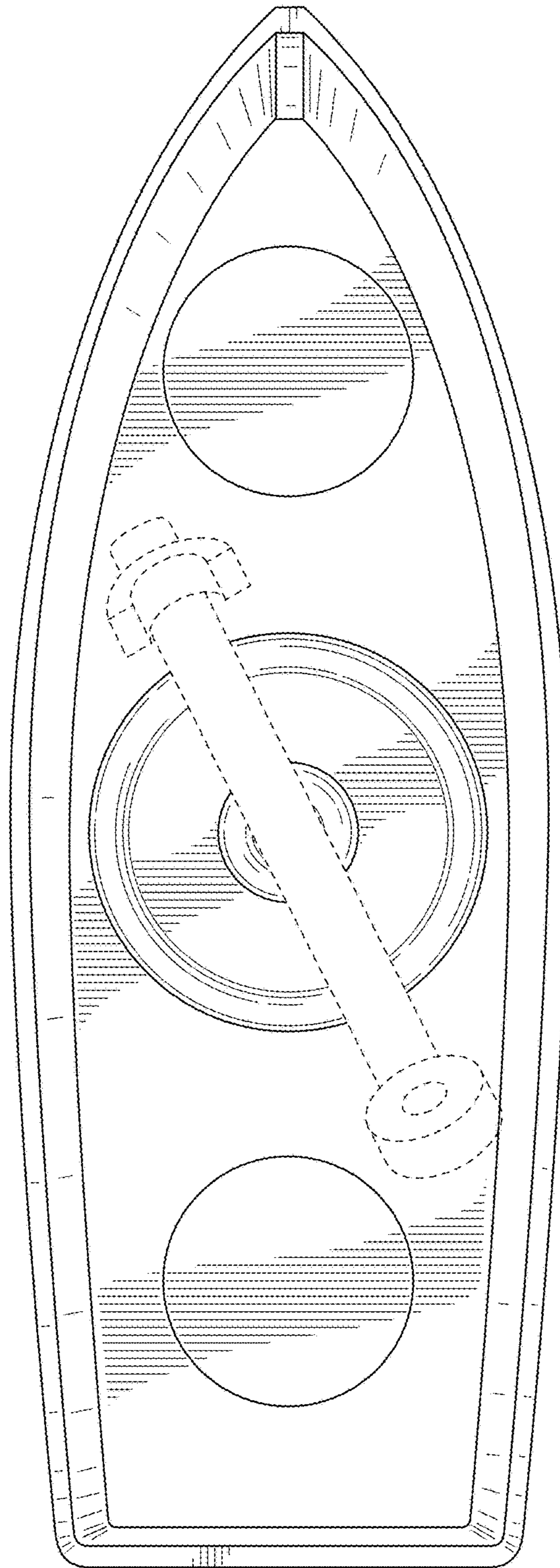


FIG. 6



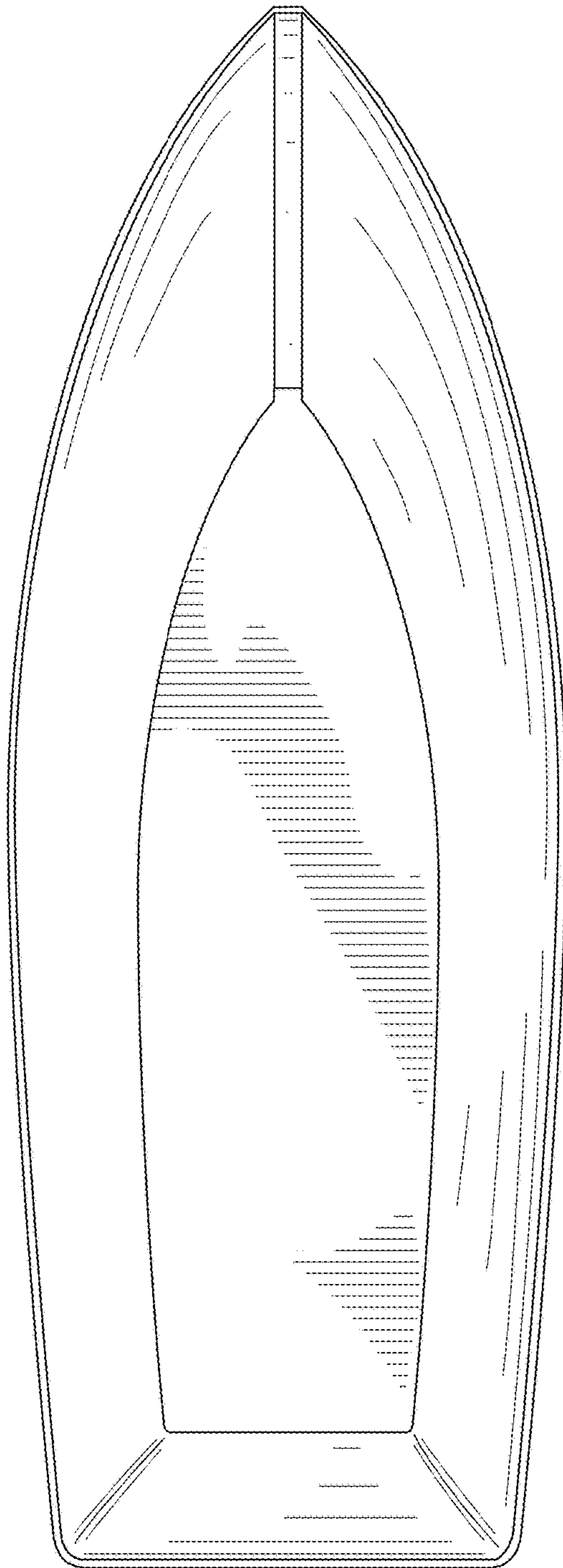


FIG. 7

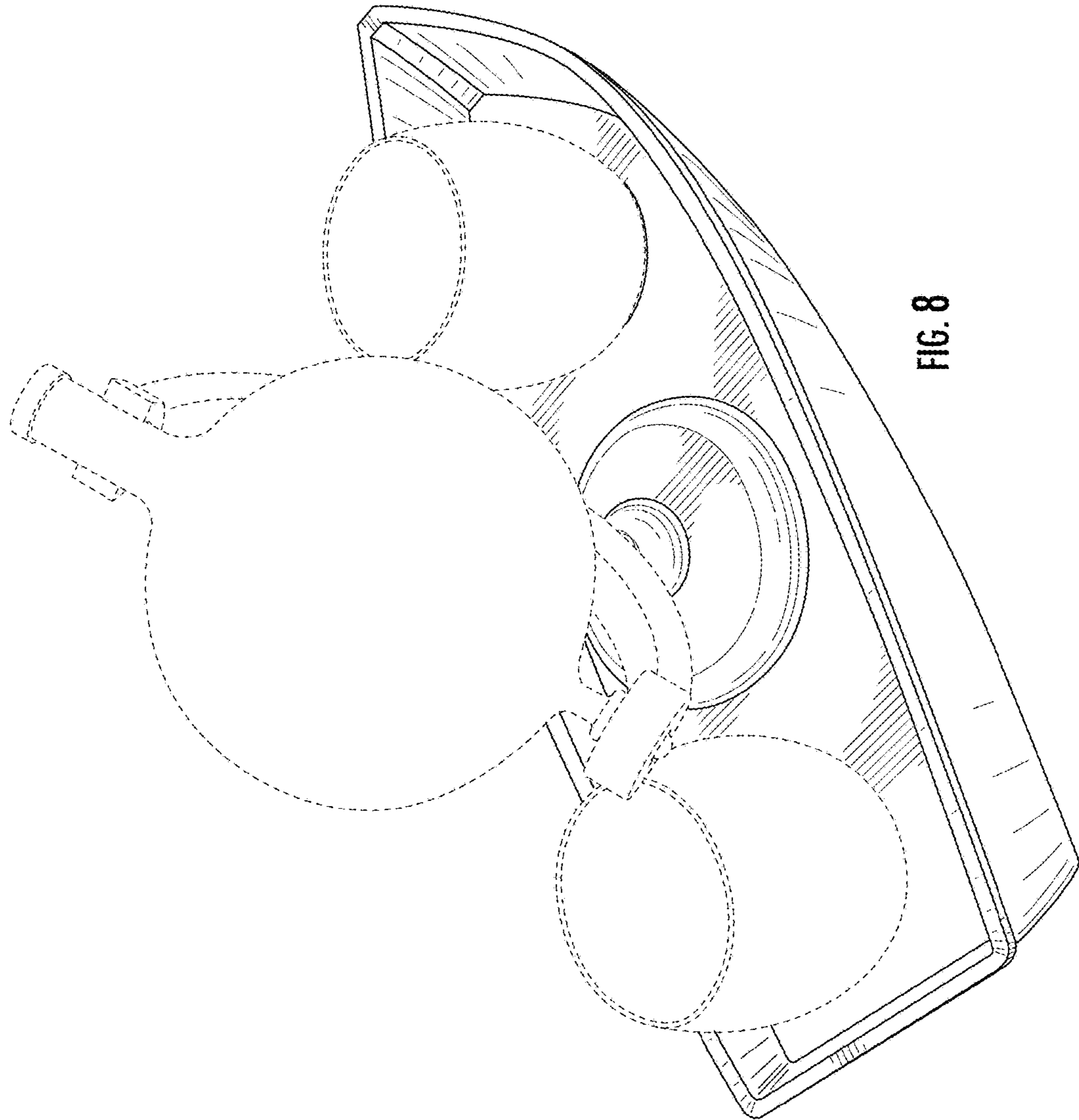


FIG. 8