



US00D851451S

(12) **United States Design Patent** (10) **Patent No.:** **US D851,451 S**
Brennan (45) **Date of Patent:** **** Jun. 18, 2019**

(54) **BASE FOR KAMADO FIREBOX**
(71) Applicant: **Premier Specialty Brands LLC**,
Duluth, GA (US)
(72) Inventor: **Robert A. Brennan**, Duluth, GA (US)
(73) Assignee: **Premier Specialty Brands LLC**
(**) Term: **15 Years**

D505,589 S * 5/2005 Hoff D7/409
D615,354 S * 5/2010 Garpelin D7/402
D618,038 S * 6/2010 Davies D7/337
D666,055 S * 8/2012 O'Neil D7/407
D683,999 S * 6/2013 Karlsson D7/337
D701,721 S * 4/2014 Jan D7/332
8,899,222 B2 * 12/2014 DeFoort F24C 1/16
126/2
9,377,187 B2 * 6/2016 Chen F23C 7/002
(Continued)

(21) Appl. No.: **29/588,813**
(22) Filed: **Dec. 22, 2016**
(51) **LOC (11) Cl.** **07-02**
(52) **U.S. Cl.**
USPC **D7/407**
(58) **Field of Classification Search**
USPC D7/332-337, 402-409, 417
CPC A47J 37/07-0781; A47J 37/0786; A47J
37/079; F24B 1/202; F24B 1/205; F24B
1/207; F24C 1/16; F24C 3/14; A23B
4/044; A23B 4/048; A23B 4/052; A23B
4/0523; A23B 4/0526; A23B 4/056
See application file for complete search history.

FOREIGN PATENT DOCUMENTS

DE 102013010377 A1 6/2014
DE 102014220789 A1 8/2016

OTHER PUBLICATIONS

Office Action from German Patent and Trademark Office, dated Aug. 1, 2018.

Primary Examiner — Brett Miller
(74) *Attorney, Agent, or Firm* — Miller & Martin PLLC

(57) **CLAIM**

The ornamental design for a base for kamado firebox, as shown and described.

DESCRIPTION

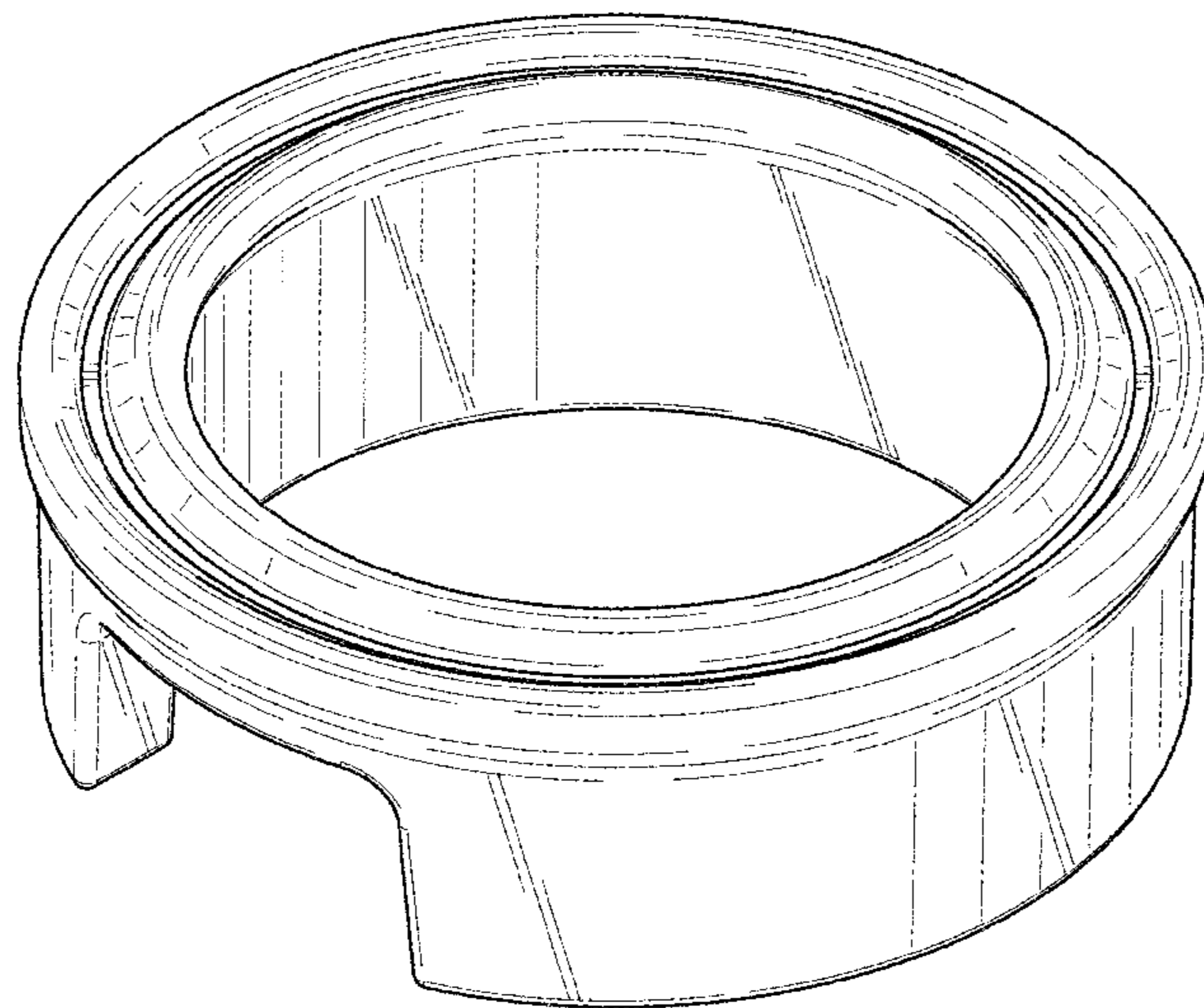
FIG. 1 is a perspective view of the base for kamado firebox; FIG. 2 is a front view thereof; FIG. 3 is a rear view thereof; FIG. 4 is a top view thereof; FIG. 5 is a bottom view thereof; and, FIG. 6 is a right side view thereof, the left side view being a mirror image of the right side view shown. The dashed broken lines in FIGS. 2, 3, 5 and 6 depict environmental subject matter only and form no part of the claimed design. The dot-dot dash broken lines in FIGS. 1, 2, 3, 5 and 6 are boundary lines representing the lower bounds of the claimed portion of the design.

1 Claim, 3 Drawing Sheets

(56) **References Cited**

U.S. PATENT DOCUMENTS

D172,672 S * 7/1954 Lennox D7/337
4,280,622 A * 7/1981 Nelson, Jr. B65D 5/5038
206/577
4,877,010 A * 10/1989 Hait F24C 1/16
126/39 M
5,024,208 A 6/1991 Hottenroth
5,881,709 A * 3/1999 Daoust F24C 5/02
126/38
D422,452 S * 4/2000 Persson D7/332
D442,431 S * 5/2001 Hoff D7/409
D465,131 S * 11/2002 Alden A47J 37/0786
D7/409
D466,369 S * 12/2002 Alden A47J 37/0786
D7/409



(56)

References Cited

U.S. PATENT DOCUMENTS

D802,995 S * 11/2017 Rogers D7/402
D816,401 S * 5/2018 Chung D7/402
2008/0173298 A1* 7/2008 Hsu F24C 3/14
126/39 E
2009/0078246 A1* 3/2009 Leavens A47J 37/0786
126/39 H
2010/0095946 A1 4/2010 Creel
2010/0154770 A1* 6/2010 Zhou F24C 3/14
126/42
2011/0073098 A1* 3/2011 Chang A47J 37/0704
126/25 B
2012/0006316 A1* 1/2012 Shimek F23L 1/02
126/519
2016/0174766 A1 6/2016 Schlosser
2017/0007073 A1* 1/2017 Bianchini A47J 37/0704
2017/0347832 A1* 12/2017 Lin A47J 33/00
2018/0180286 A1* 6/2018 Brennan A47J 37/0718

* cited by examiner

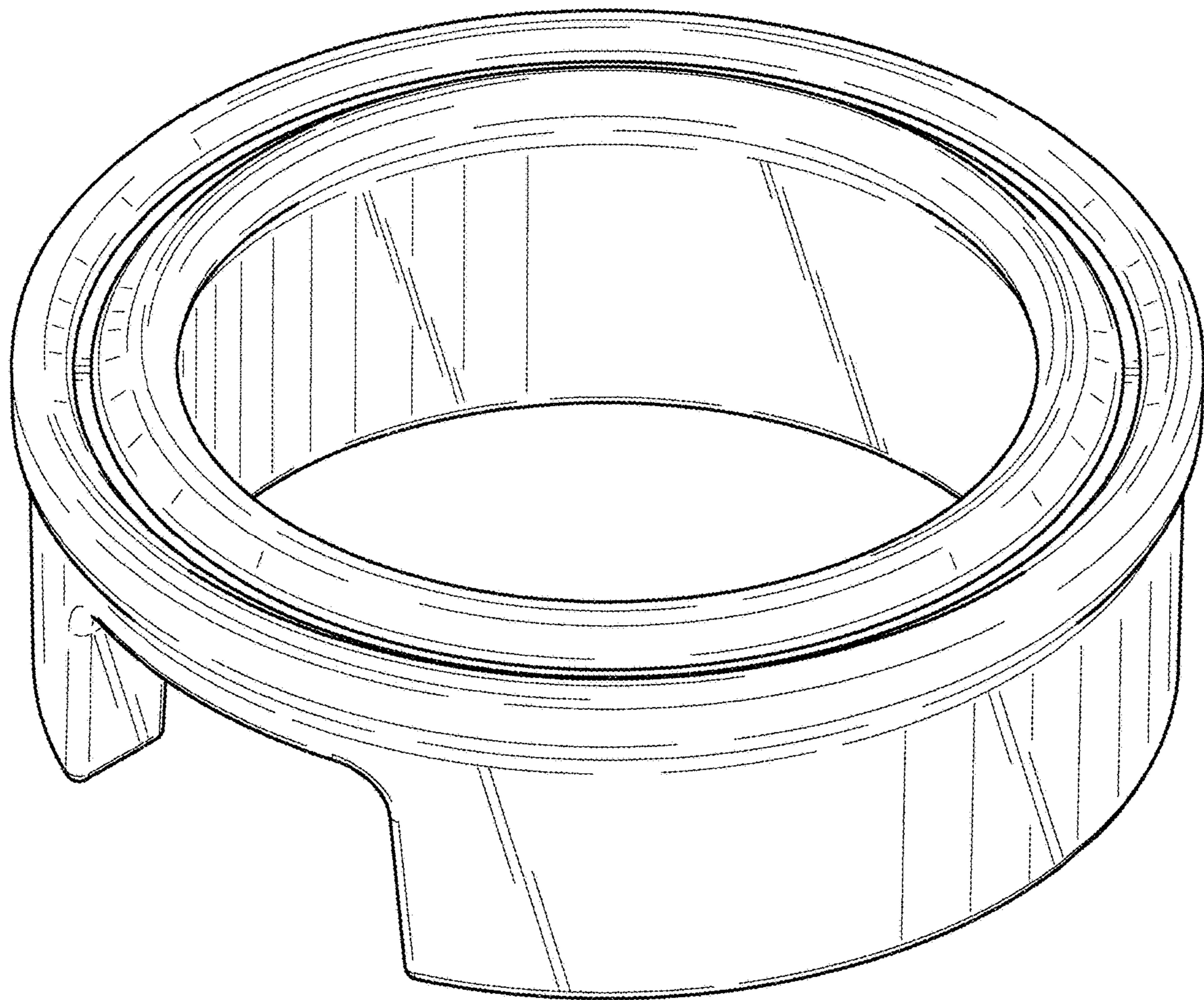


FIG. 1

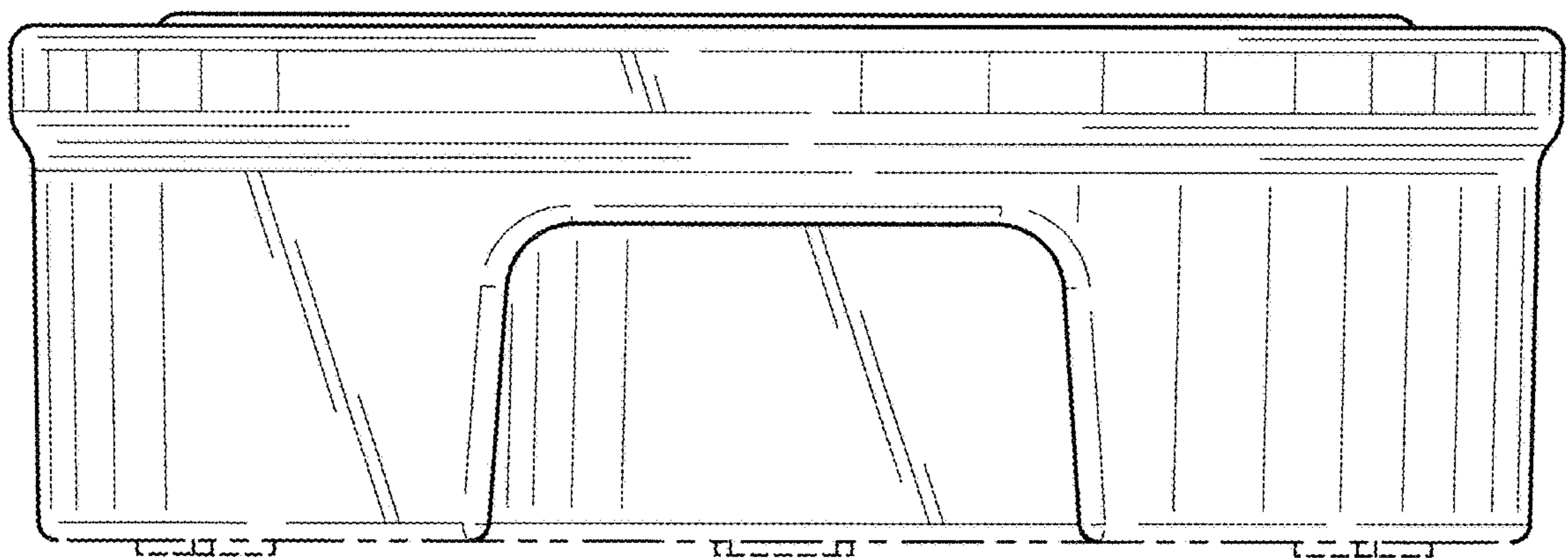


FIG. 2

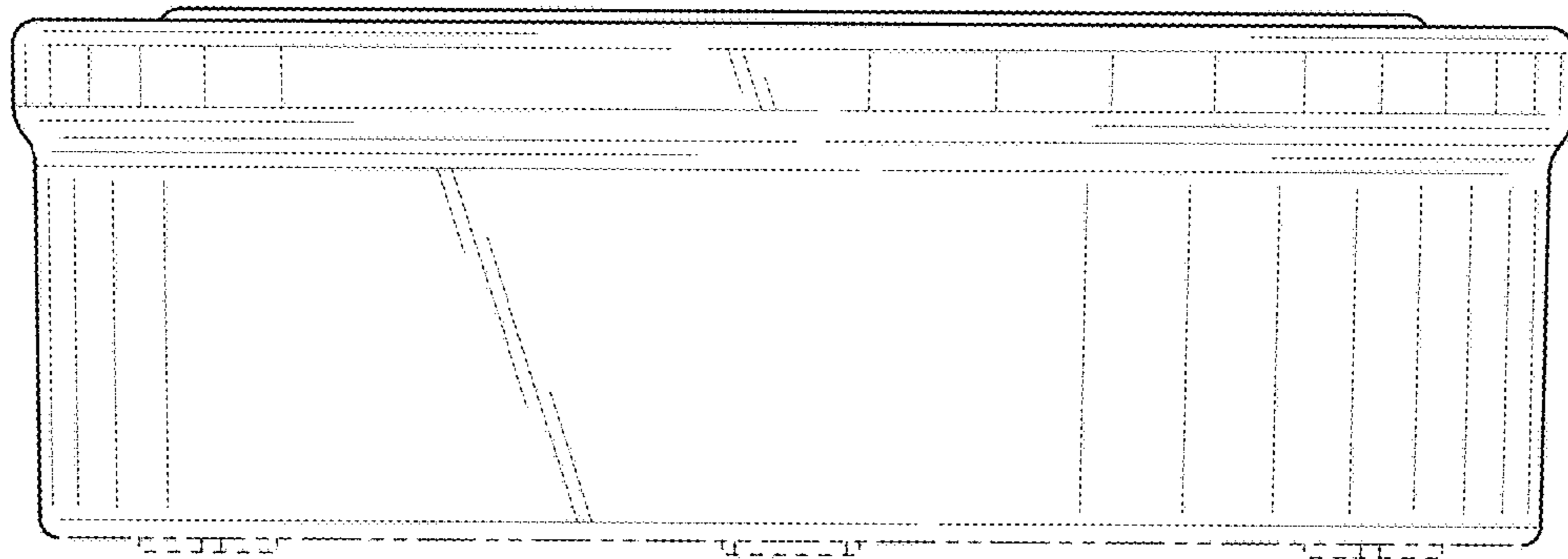


FIG. 3

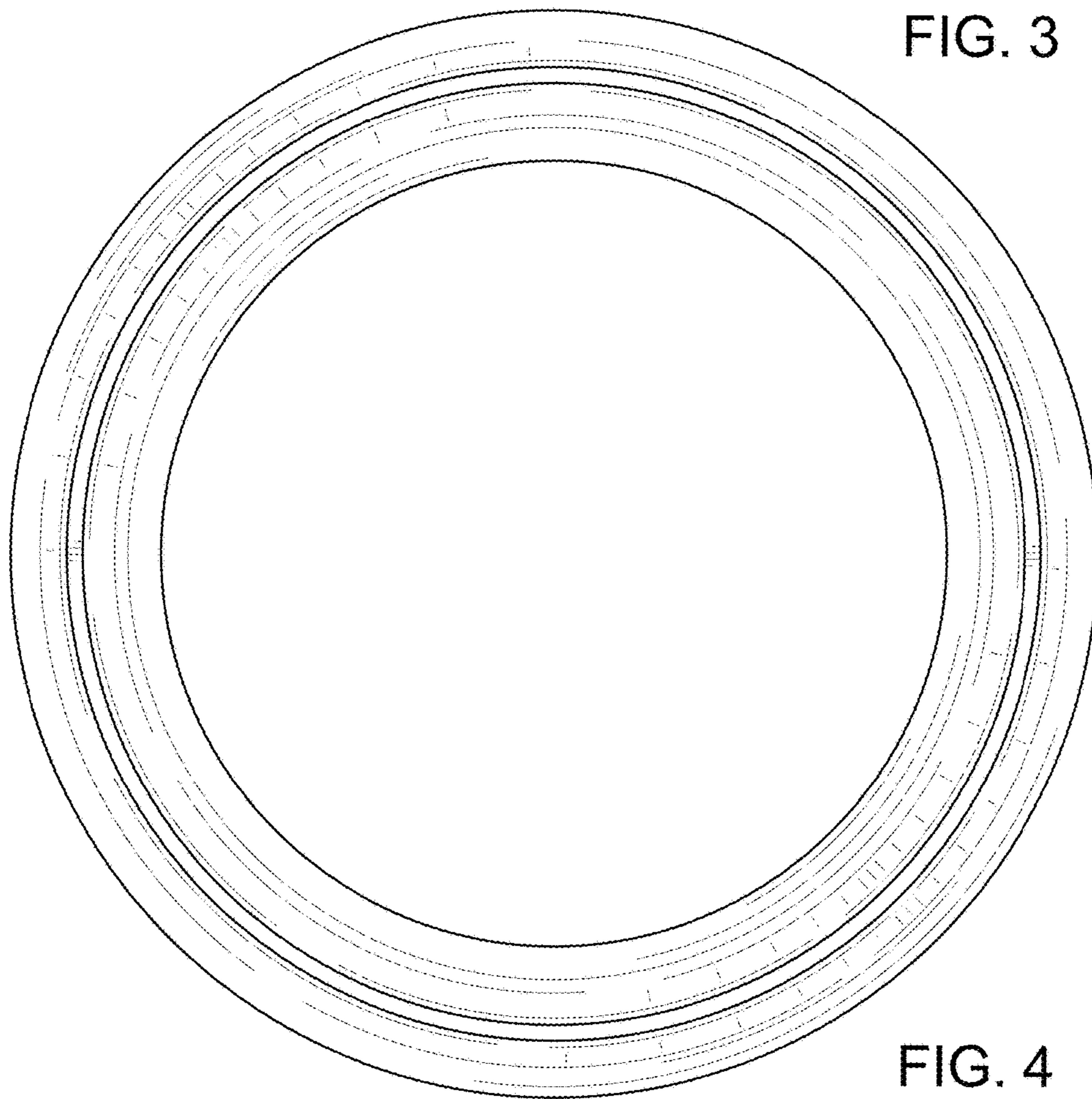


FIG. 4

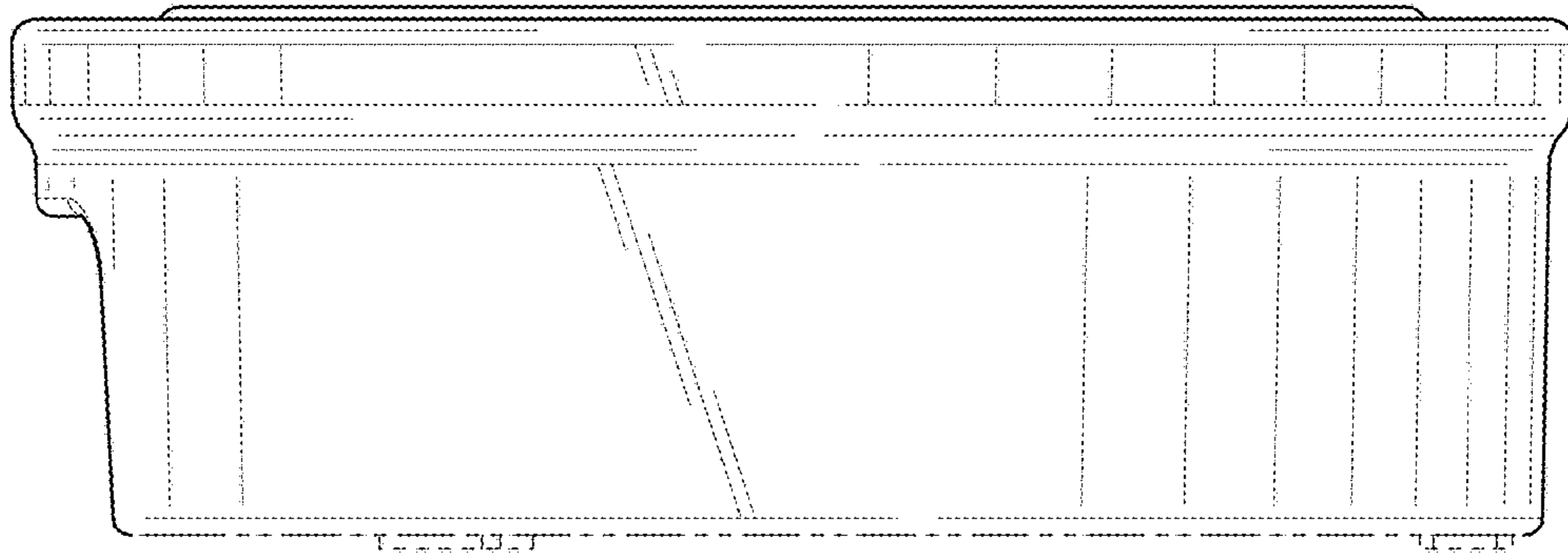


FIG. 6

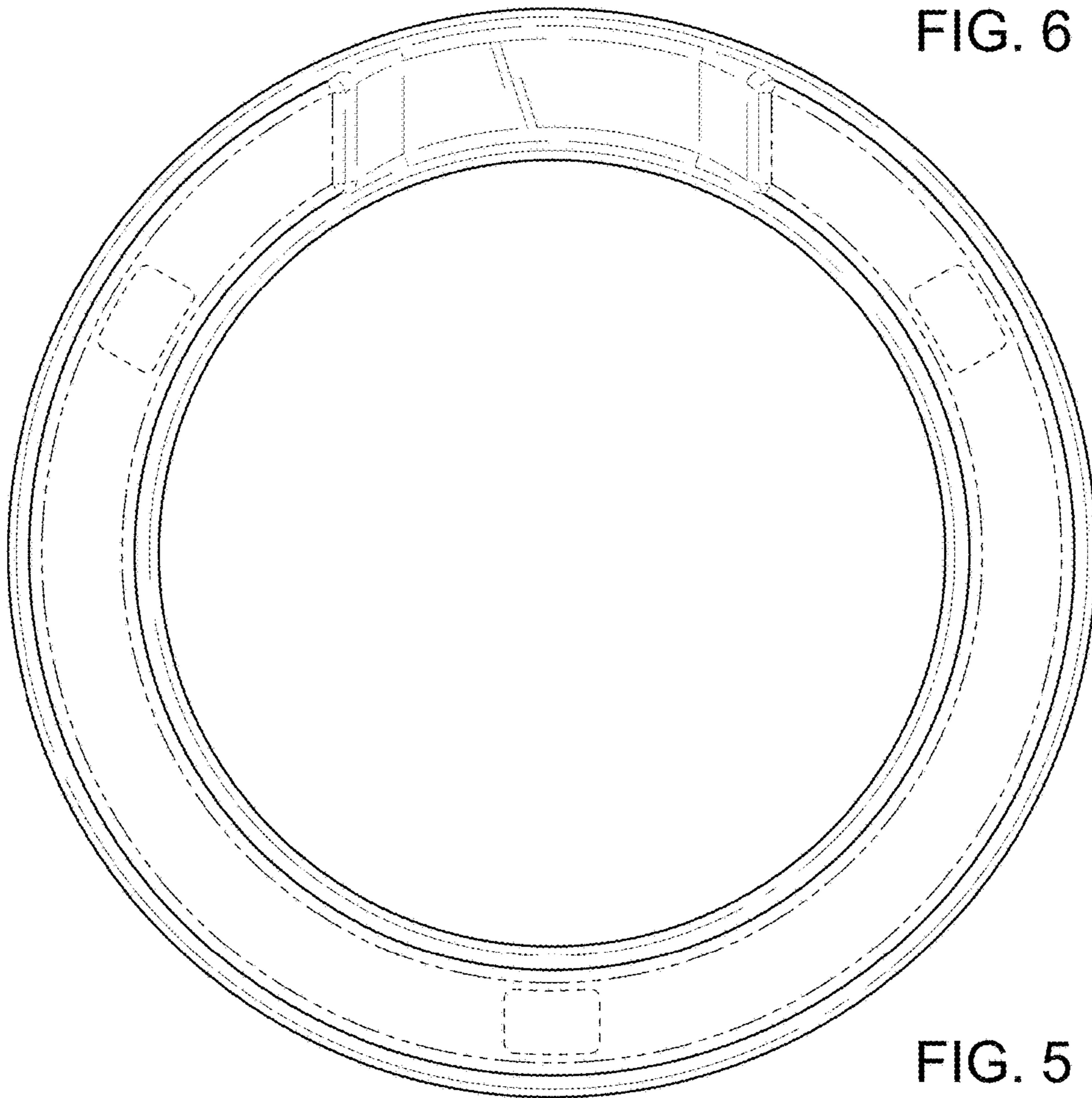


FIG. 5