



US00D851450S

(12) **United States Design Patent** (10) **Patent No.:** **US D851,450 S**  
**Brennan** (45) **Date of Patent:** **\*\* Jun. 18, 2019**

(54) **MULTIPLE PIECE KAMADO FIREBOX**

FOREIGN PATENT DOCUMENTS

(71) Applicant: **Premier Specialty Brands LLC**,  
Duluth, GA (US)

DE 102013010377 A1 6/2014  
DE 102014220789 A1 8/2016

(72) Inventor: **Robert A. Brennan**, Duluth, GA (US)

OTHER PUBLICATIONS

(73) Assignee: **Premier Specialty Brands LLC**

Office Action from German Patent and Trademark Office, dated Aug. 1, 2018.

(\*\*) Term: **15 Years**

*Primary Examiner* — Brett Miller

(21) Appl. No.: **29/588,811**

(74) *Attorney, Agent, or Firm* — Miller & Martin PLLC

(22) Filed: **Dec. 22, 2016**

(51) **LOC (11) Cl.** ..... **07-02**

(52) **U.S. Cl.**  
USPC ..... **D7/407**

(58) **Field of Classification Search**  
USPC ..... D7/332-337, 402-409, 417  
CPC ..... A47J 37/07-0781; A47J 37/0786; A47J  
37/079; F24B 1/202; F24B 1/205; F24B  
1/207; F24C 1/16; F24C 3/14; A23B  
4/044; A23B 4/048; A23B 4/052; A23B  
4/0523; A23B 4/0526; A23B 4/056  
See application file for complete search history.

(57) **CLAIM**

The ornamental design for a multiple piece kamado firebox, as shown and described.

**DESCRIPTION**

FIG. 1 is a perspective view of the multiple piece kamado firebox;  
FIG. 2 is a front view thereof;  
FIG. 3 is a rear view thereof;  
FIG. 4 is a top view thereof;  
FIG. 5 is a bottom view thereof;  
FIG. 6 is a right side view thereof;  
FIG. 7 is a left side view thereof;  
FIG. 8 is a supplementary exploded view of the multiple piece kamado firebox of FIG. 1; and,  
FIG. 9 is a right side cross-section view of the multiple piece kamado firebox taken from lines 9-9 in FIG. 4.  
The dashed broken lines in FIGS. 1 through 9 depict environmental subject matter only and form no part of the claimed design. The dot-dot dash broken lines in FIGS. 1 through 3 and 5 through 9 are boundary lines representing the lower bounds of the claimed portion of the design. The kamado grill shown in broken lines in FIG. 9 for illustrative purposes only and forms no part of the claimed design.

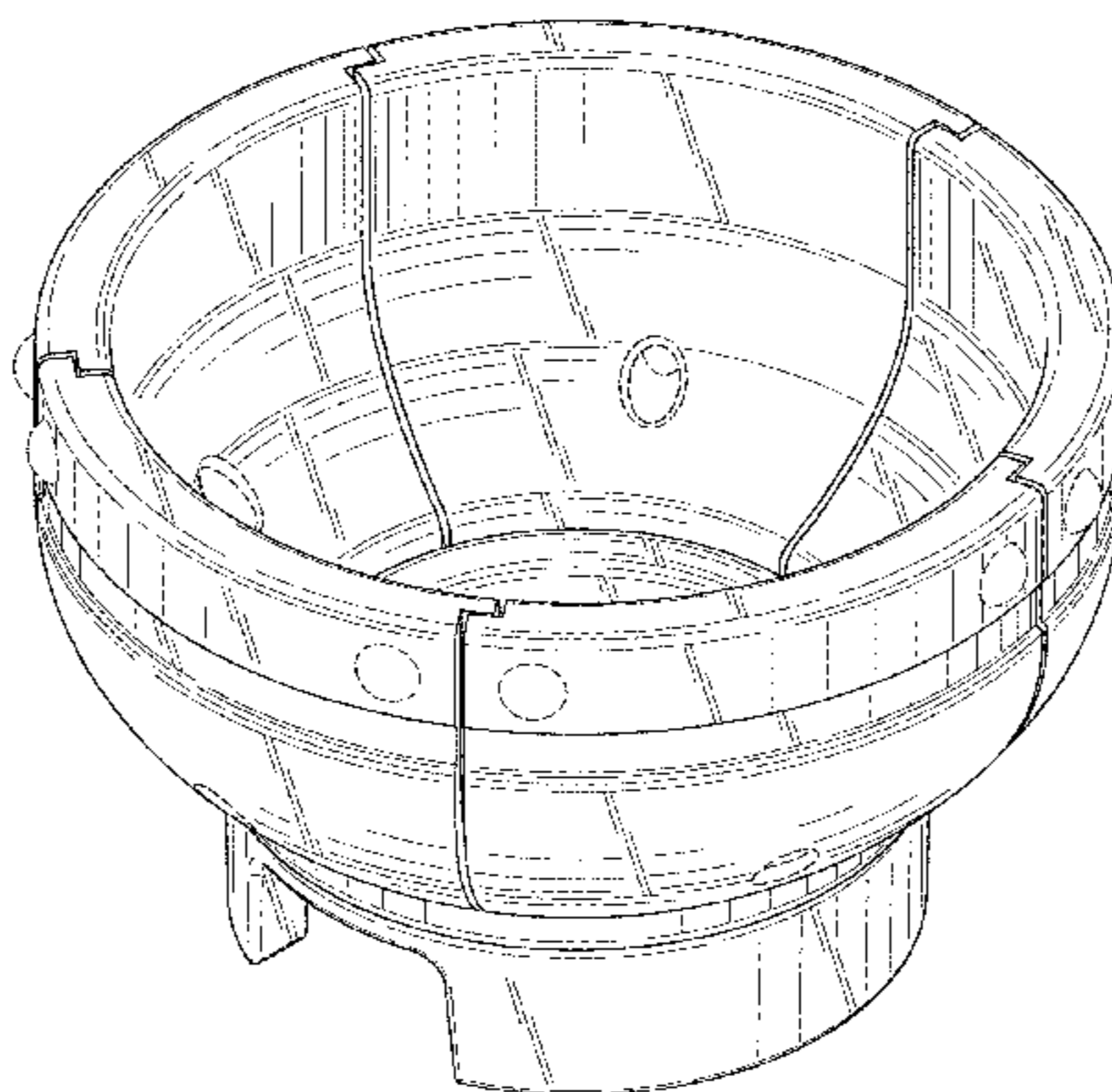
(56) **References Cited**

**U.S. PATENT DOCUMENTS**

D172,672 S \* 7/1954 Lennox ..... D7/337  
4,280,622 A \* 7/1981 Nelson, Jr. .... B65D 5/5038  
206/577  
4,877,010 A \* 10/1989 Hait ..... F24C 1/16  
126/39 M  
5,024,208 A 6/1991 Hottenroth  
5,881,709 A \* 3/1999 Daoust ..... F24C 5/02  
126/38  
D422,452 S \* 4/2000 Persson ..... D7/332  
D442,431 S \* 5/2001 Hoff ..... D7/409  
D465,131 S \* 11/2002 Alden ..... A47J 37/0786  
D7/409  
D466,369 S \* 12/2002 Alden ..... A47J 37/0786  
D7/409  
D505,589 S \* 5/2005 Hoff ..... D7/409  
D615,354 S \* 5/2010 Garpelin ..... D7/402

(Continued)

**1 Claim, 7 Drawing Sheets**



(56)

**References Cited**

## U.S. PATENT DOCUMENTS

D618,038 S \* 6/2010 Davies ..... D7/337  
D666,055 S \* 8/2012 O'Neil ..... D7/407  
D683,999 S \* 6/2013 Karlsson ..... D7/337  
D701,721 S \* 4/2014 Jan ..... D7/332  
8,899,222 B2 \* 12/2014 DeFoort ..... F24C 1/16  
126/2  
9,377,187 B2 \* 6/2016 Chen ..... F23C 7/002  
D802,995 S \* 11/2017 Rogers ..... D7/402  
D816,401 S \* 5/2018 Chung ..... D7/402  
2008/0173298 A1 \* 7/2008 Hsu ..... F24C 3/14  
126/39 E  
2009/0078246 A1 \* 3/2009 Leavens ..... A47J 37/0786  
126/39 H  
2010/0095946 A1 4/2010 Creel  
2010/0154770 A1 \* 6/2010 Zhou ..... F24C 3/14  
126/42  
2011/0073098 A1 \* 3/2011 Chang ..... A47J 37/0704  
126/25 B  
2012/0006316 A1 \* 1/2012 Shimek ..... F23L 1/02  
126/519  
2016/0174766 A1 6/2016 Schlosser  
2017/0007073 A1 \* 1/2017 Bianchini ..... A47J 37/0704  
2017/0347832 A1 \* 12/2017 Lin ..... A47J 33/00  
2018/0180286 A1 \* 6/2018 Brennan ..... A47J 37/0718

\* cited by examiner

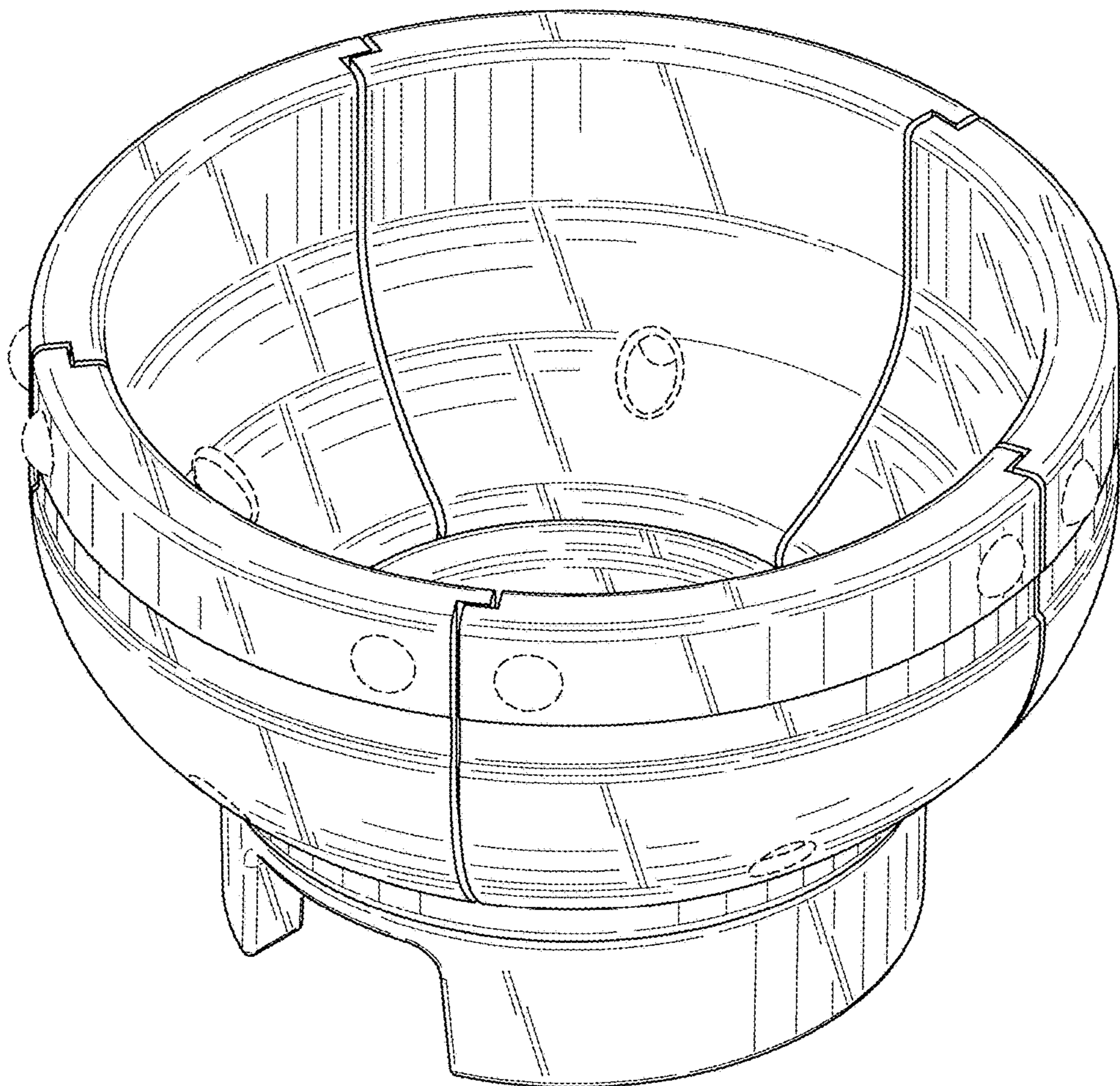


FIG. 1

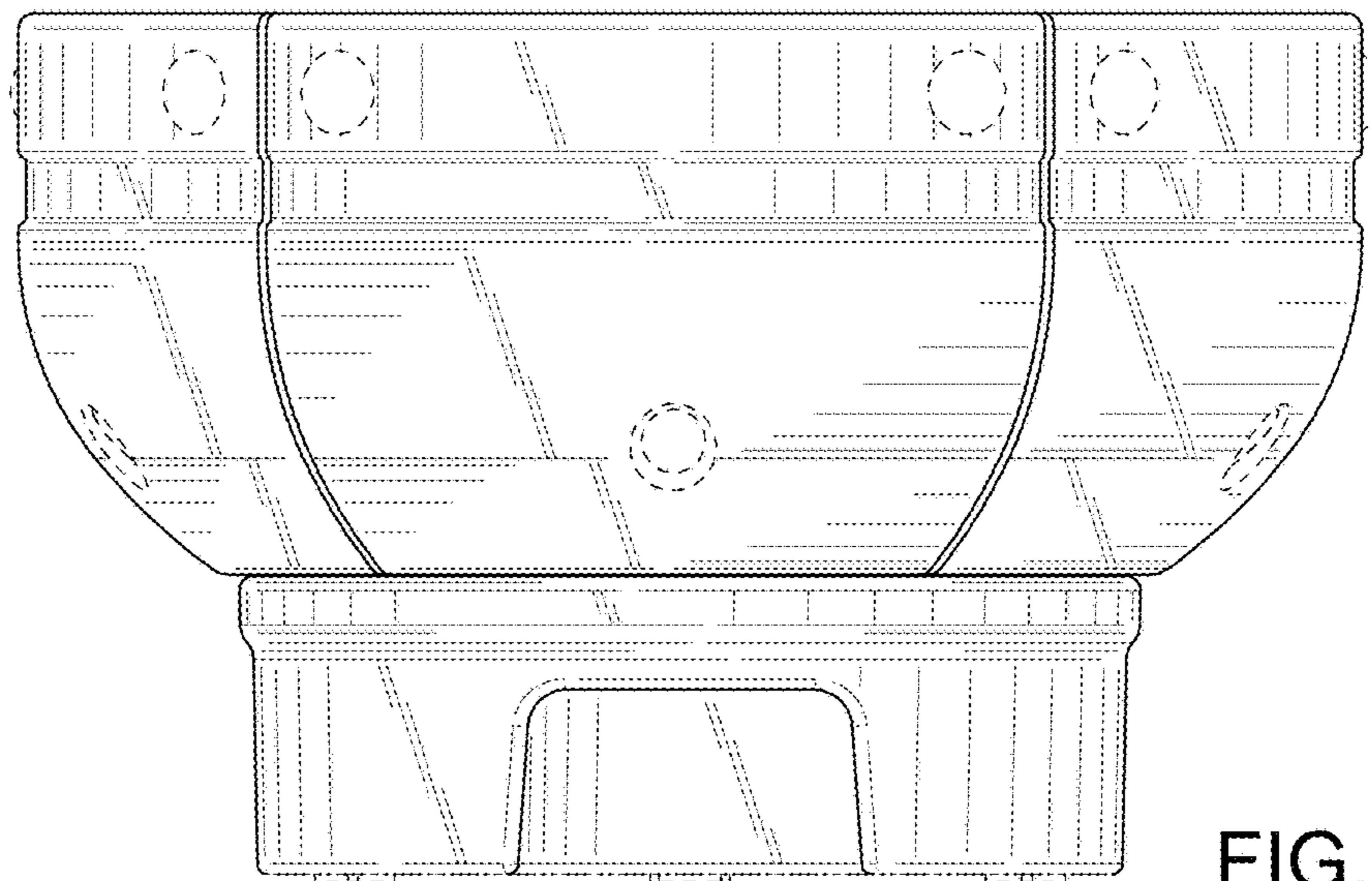


FIG. 2

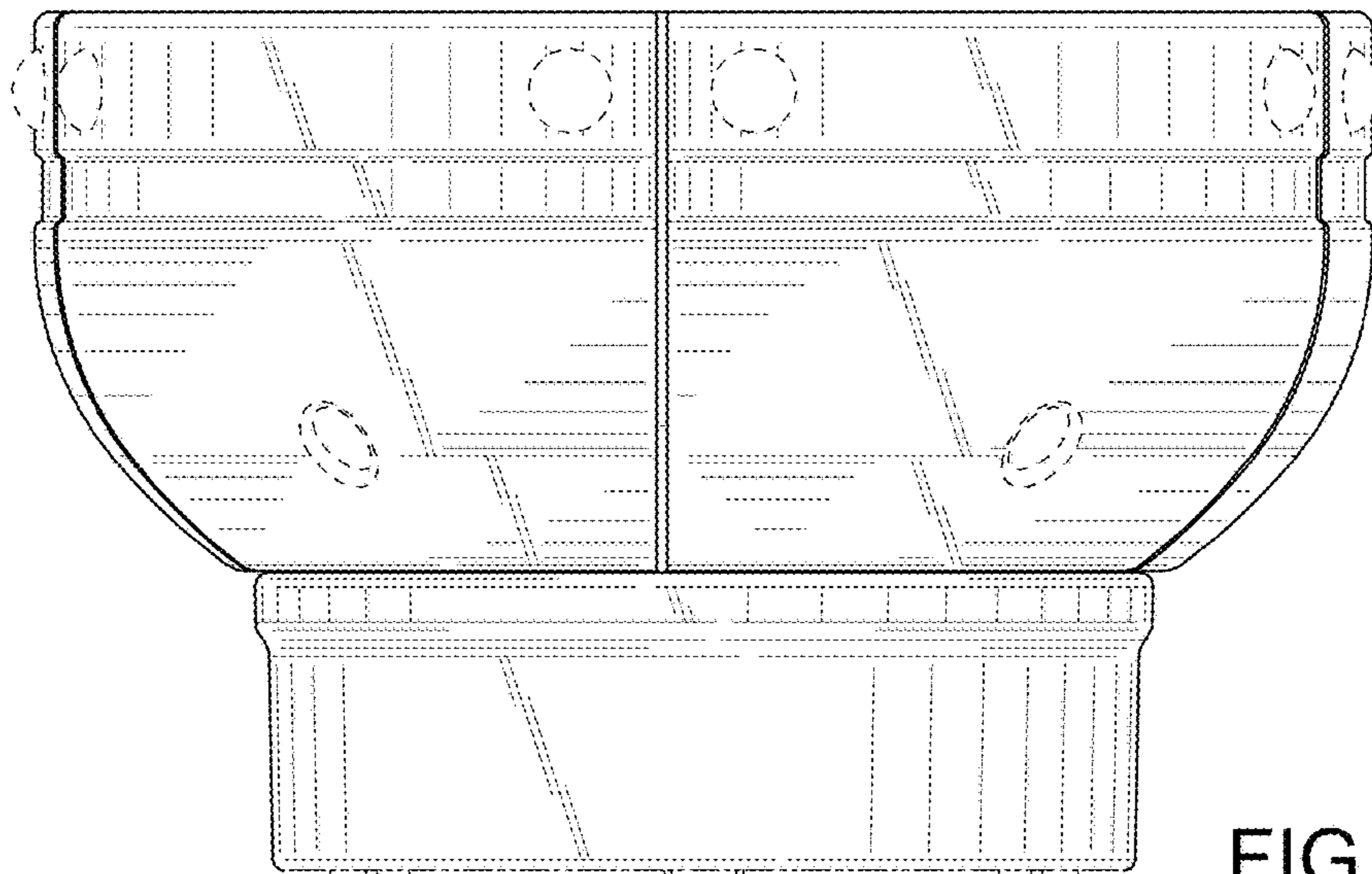


FIG. 3

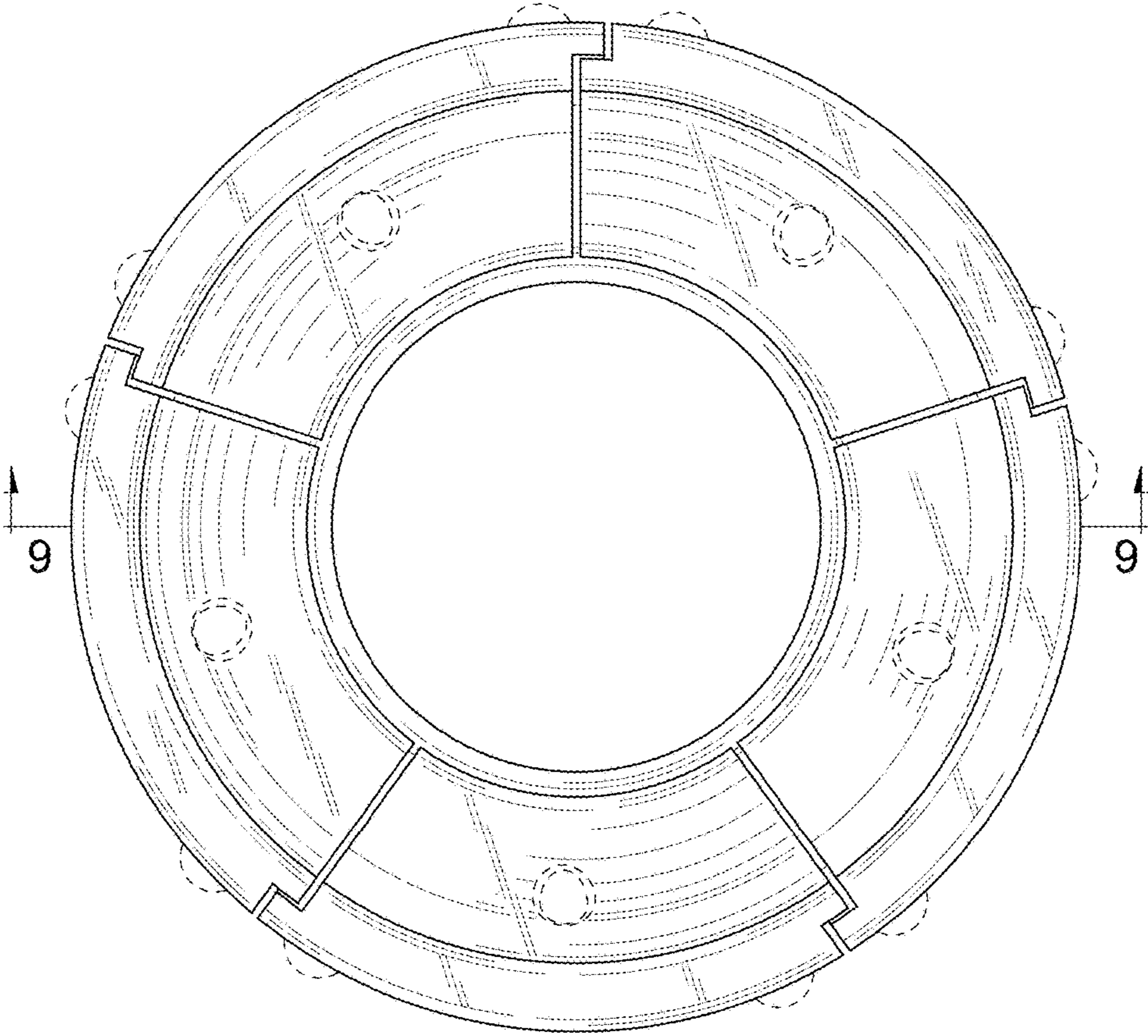


FIG. 4

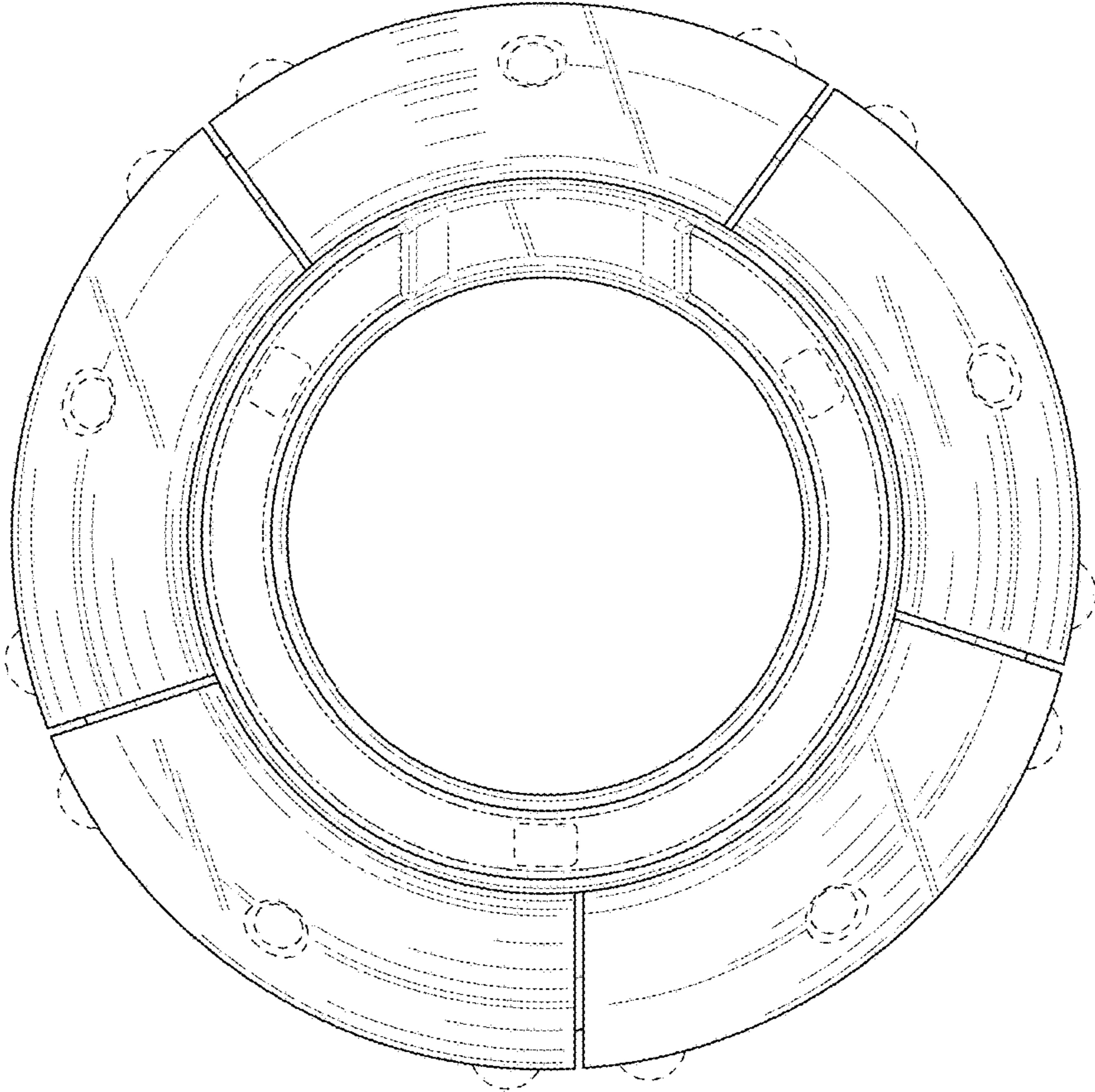


FIG. 5

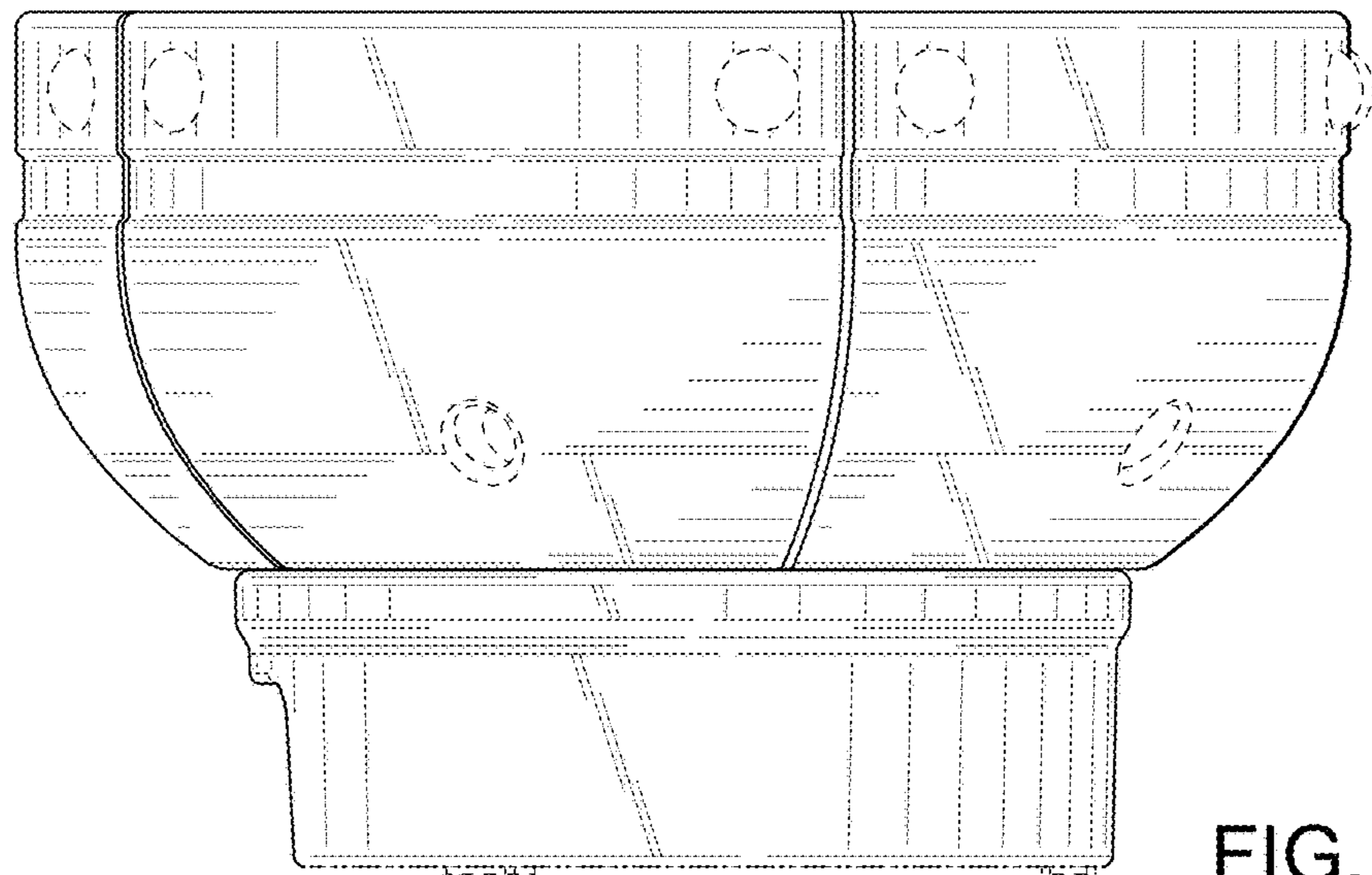


FIG. 6

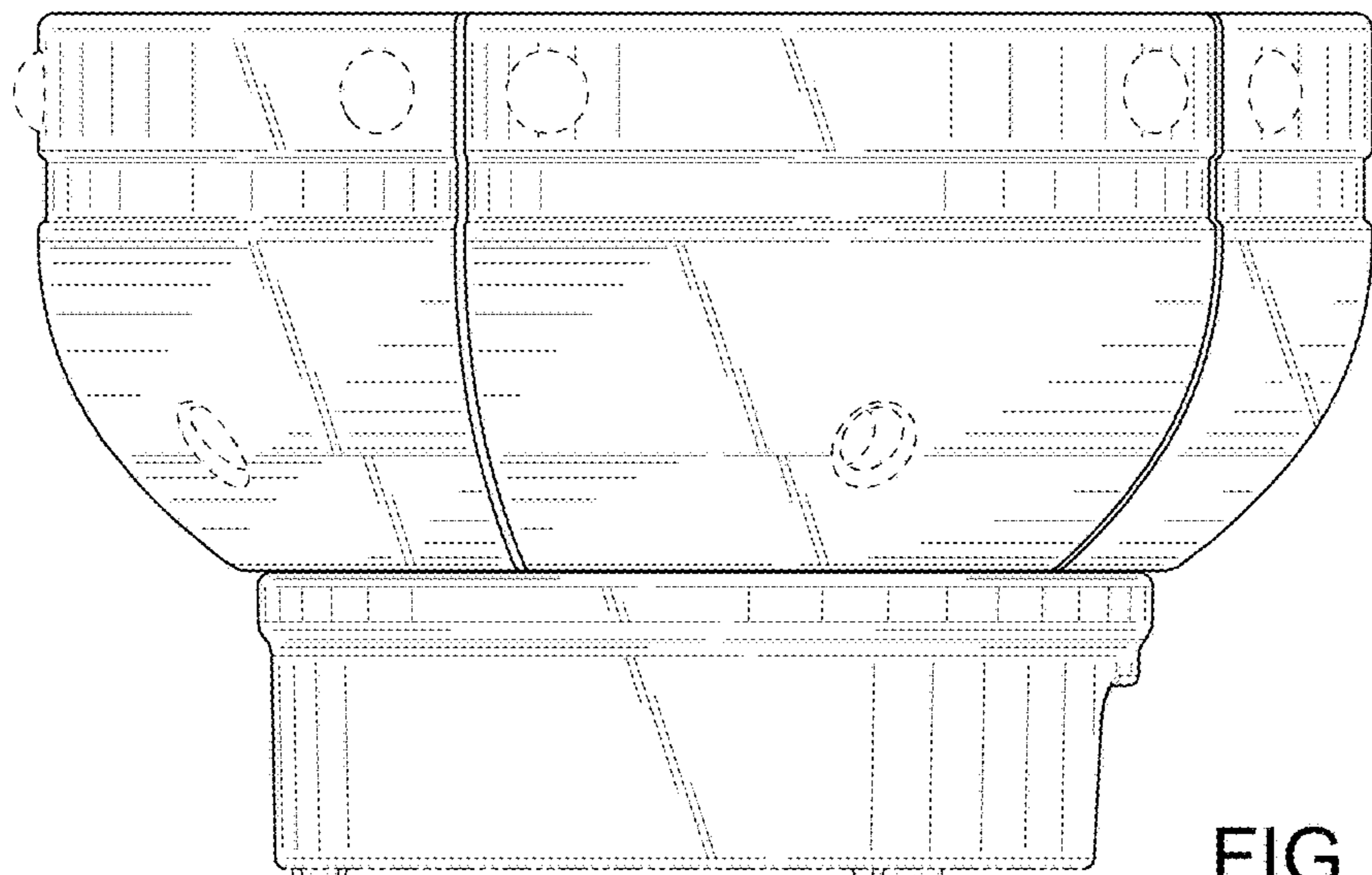
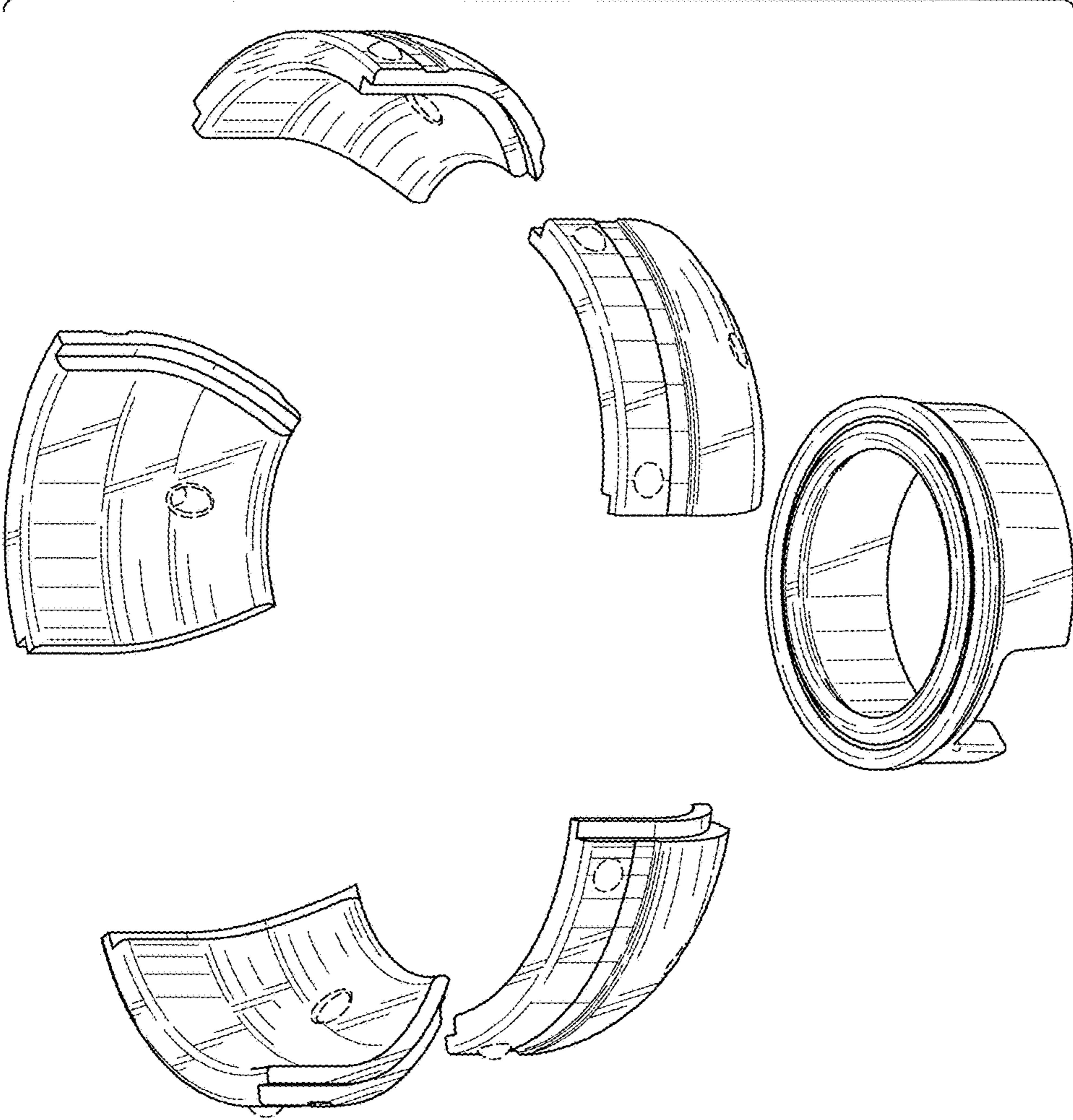


FIG. 7

FIG. 8





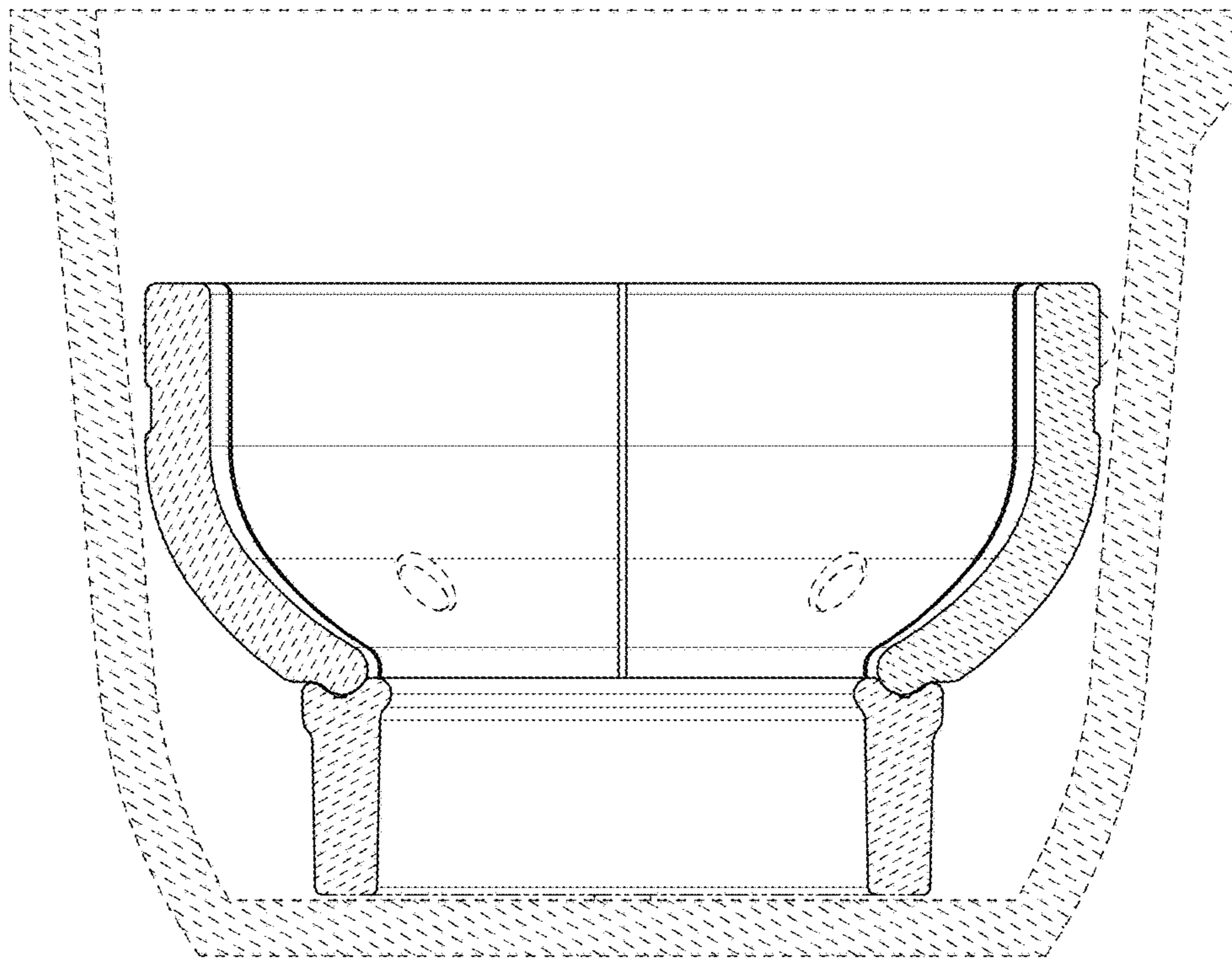


FIG. 9