



US00D851448S

(12) **United States Design Patent**
Ko et al.

(10) **Patent No.:** **US D851,448 S**

(45) **Date of Patent:** **** Jun. 18, 2019**

(54) **CLIP FOR A CLAMSHELL GRIDDLE**

(71) Applicant: **KCP FOOD (U.S.) INC.**, New York, NY (US)

(72) Inventors: **Richard Ko**, Lexington, MA (US);
Wilson Suen, Ontario (CA)

(73) Assignee: **KCP Food (U.S.) Inc.**, New York, NY (US)

(**) Term: **15 Years**

(21) Appl. No.: **29/614,328**

(22) Filed: **Aug. 17, 2017**

(51) **LOC (11) Cl.** **07-02**

(52) **U.S. Cl.**
USPC **D7/402; D8/395**

(58) **Field of Classification Search**
USPC D7/402–409, 332, 337, 339–341,
D7/346–349, 350.1–351, 362–363, 323,
D7/550.1, 552.1, 554.3, 554.4; D8/315,
D8/300, 394–396
CPC A47J 37/0786; F24C 15/16; F24C 3/082;
F24C 3/085; F24C 7/083
See application file for complete search history.

(56) **References Cited**

U.S. PATENT DOCUMENTS

D326,981 S * 6/1992 Balven D7/402
D354,677 S * 1/1995 Troyer D26/138
D516,904 S * 3/2006 Kendrick D8/395

D531,019 S * 10/2006 Plumer D8/396
D606,849 S * 12/2009 Jimenez D8/395
D727,676 S * 4/2015 Barford D7/332
D736,612 S * 8/2015 Sickler, Jr. D8/396
D745,382 S * 12/2015 Faria D8/396
D760,583 S * 7/2016 Weilage D8/395
D815,517 S * 4/2018 Van Fleet D8/396

* cited by examiner

Primary Examiner — Sheryl Lane

Assistant Examiner — Nicole C Shiflet

(74) *Attorney, Agent, or Firm* — Tarter Krinsky & Drogin LLP

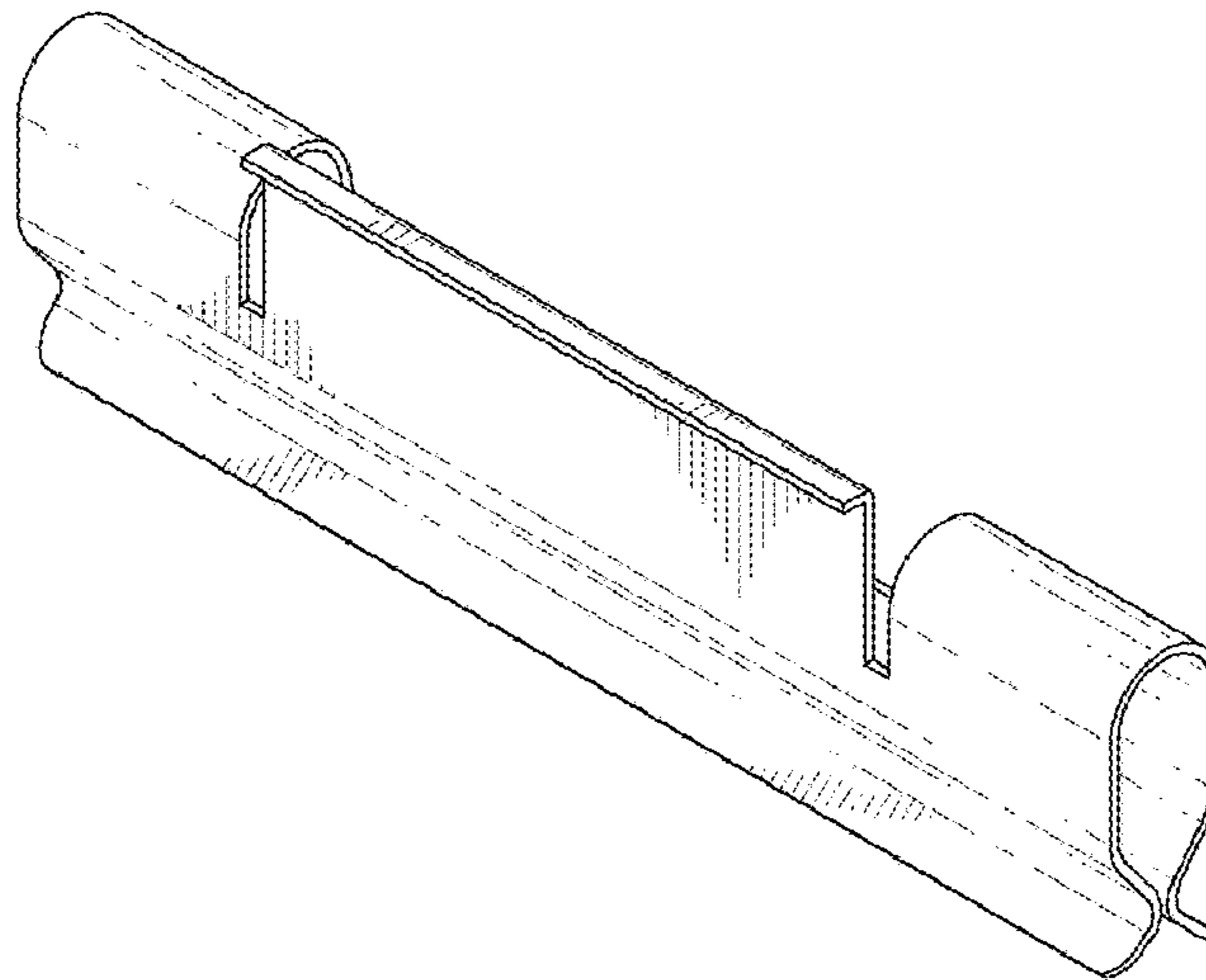
(57) **CLAIM**

The ornamental design for a clip for a clamshell griddle, as shown and described.

DESCRIPTION

FIG. 1 is a front perspective view of a clip for a clamshell griddle;
FIG. 2 is a front view thereof;
FIG. 3 is a rear view thereof;
FIG. 4 is a first side view thereof;
FIG. 5 is a second side view thereof;
FIG. 6 is a top view thereof;
FIG. 7 is a bottom view thereof; and,
FIG. 8 is a perspective view of the clip for a clamshell griddle being used in conjunction with a clamshell griddle. The broken lines showing environment form no part of the claimed design.

1 Claim, 5 Drawing Sheets



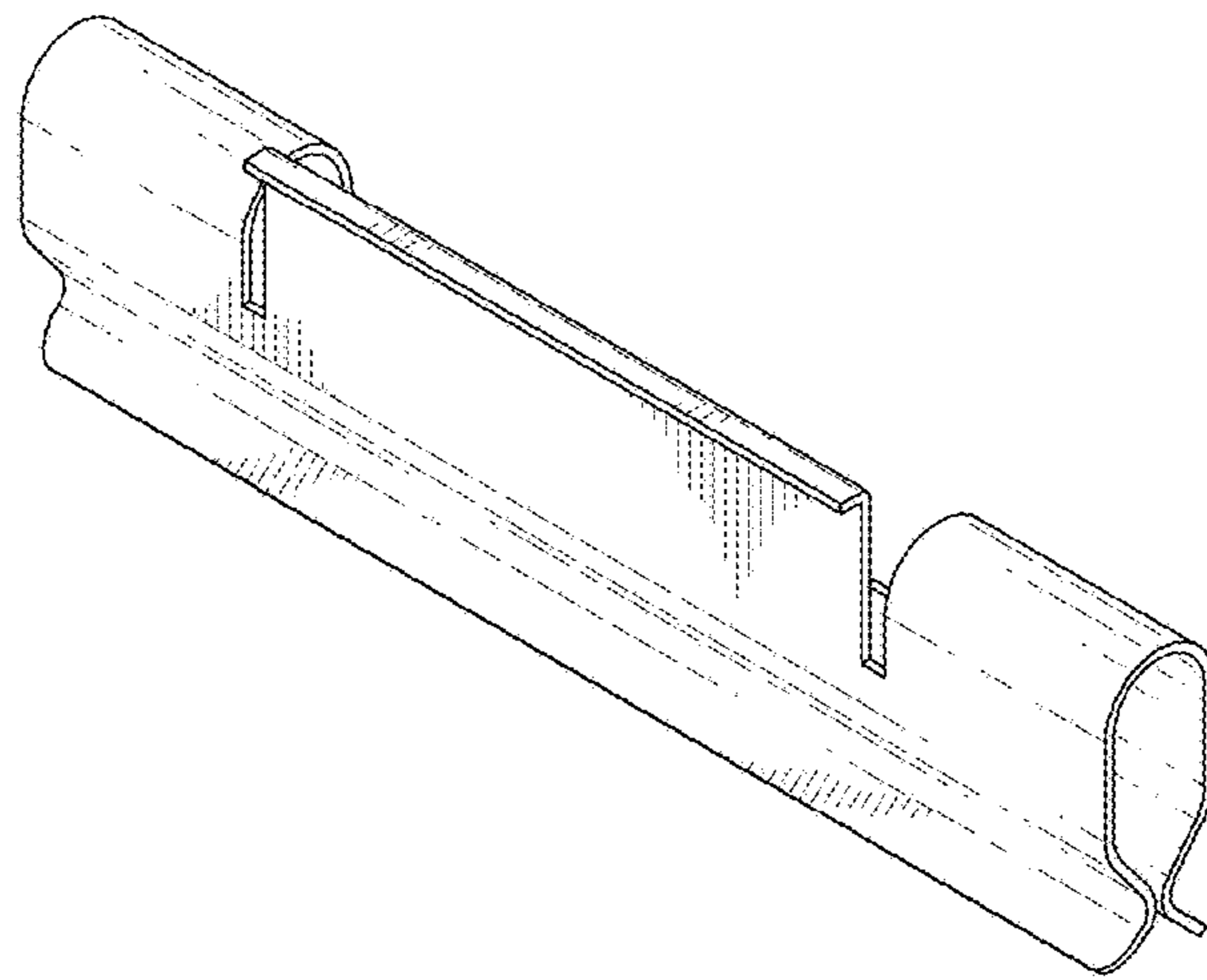


FIG. 1

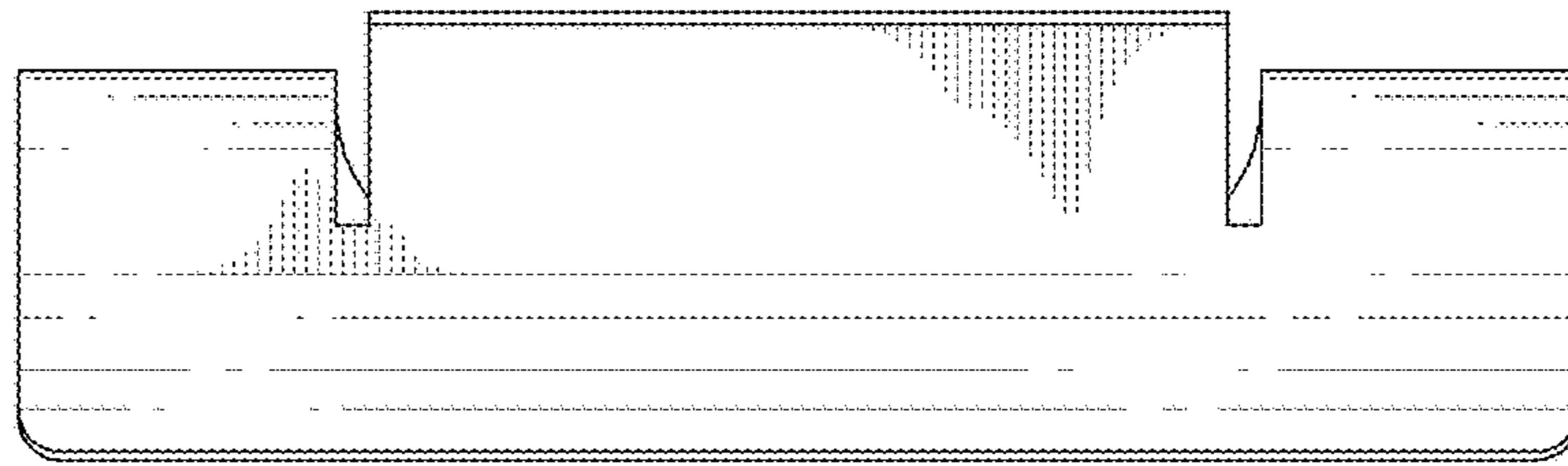


FIG. 2

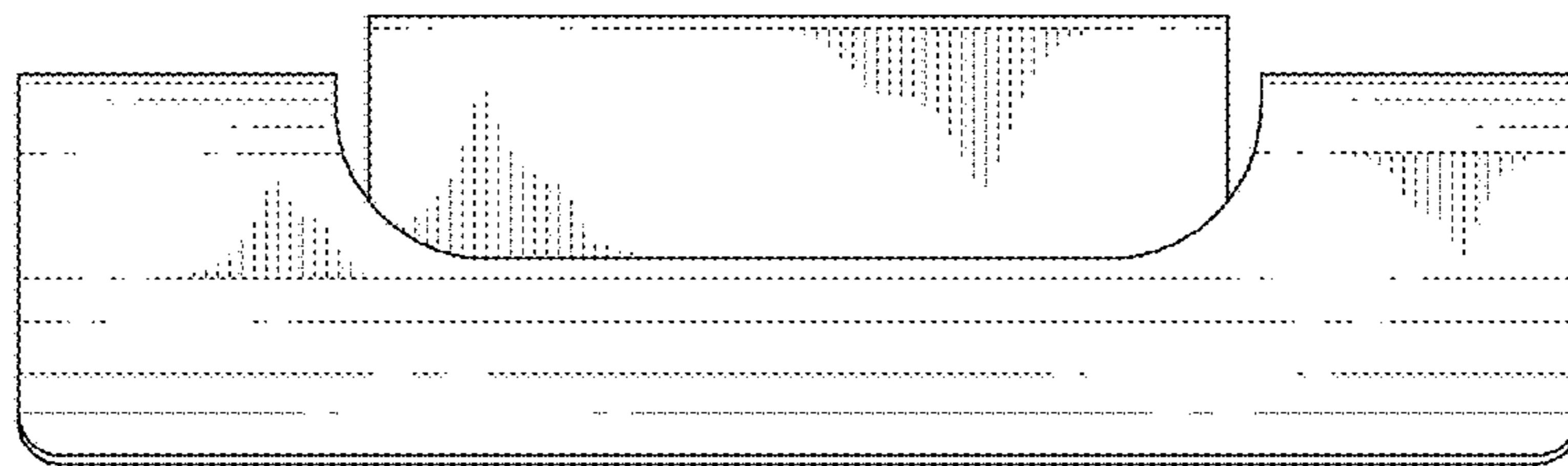


FIG. 3

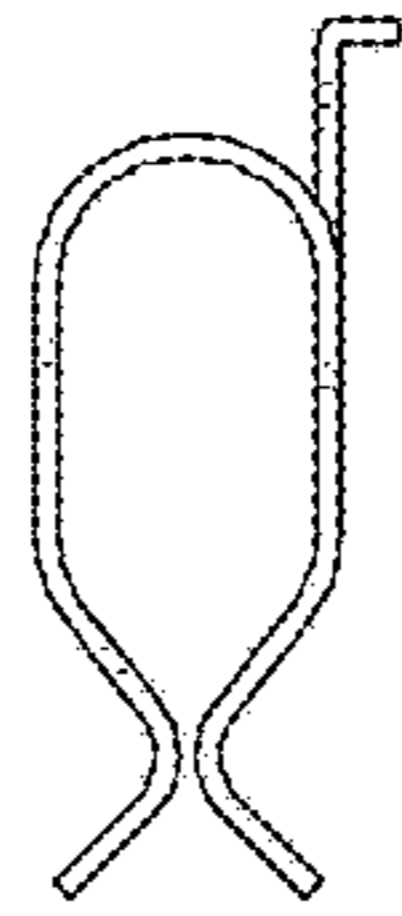


FIG. 4

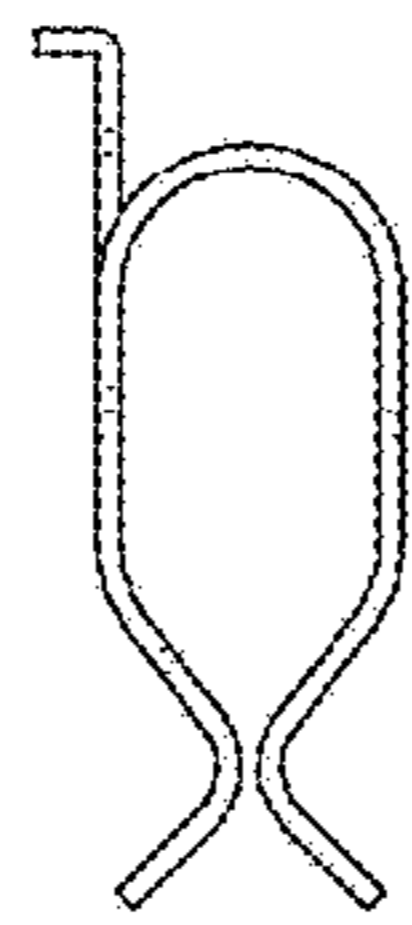


FIG. 5

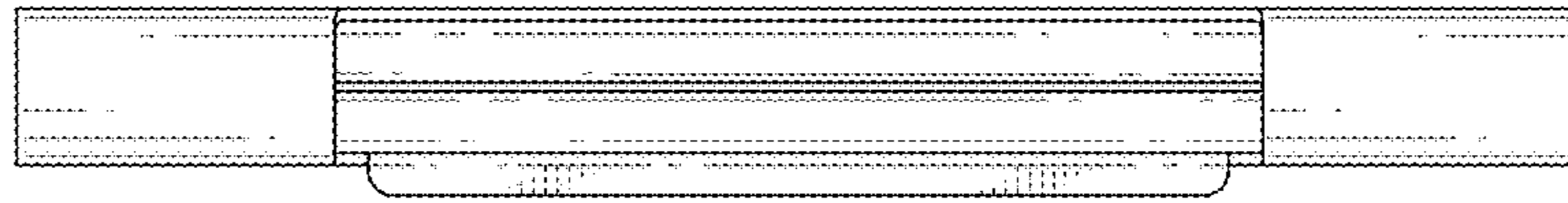


FIG. 6

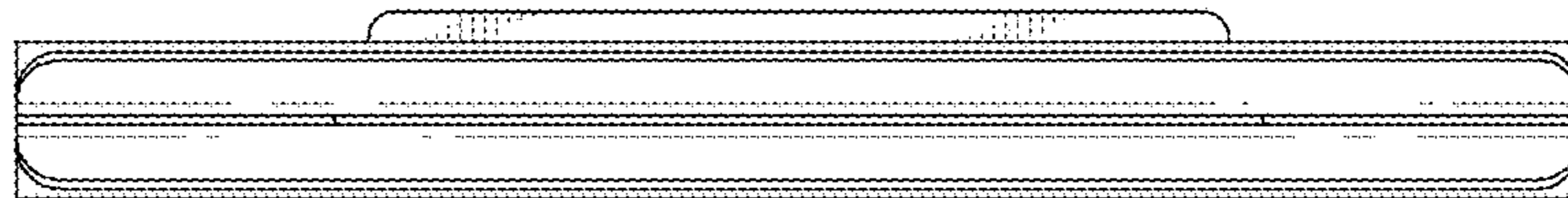


FIG. 7

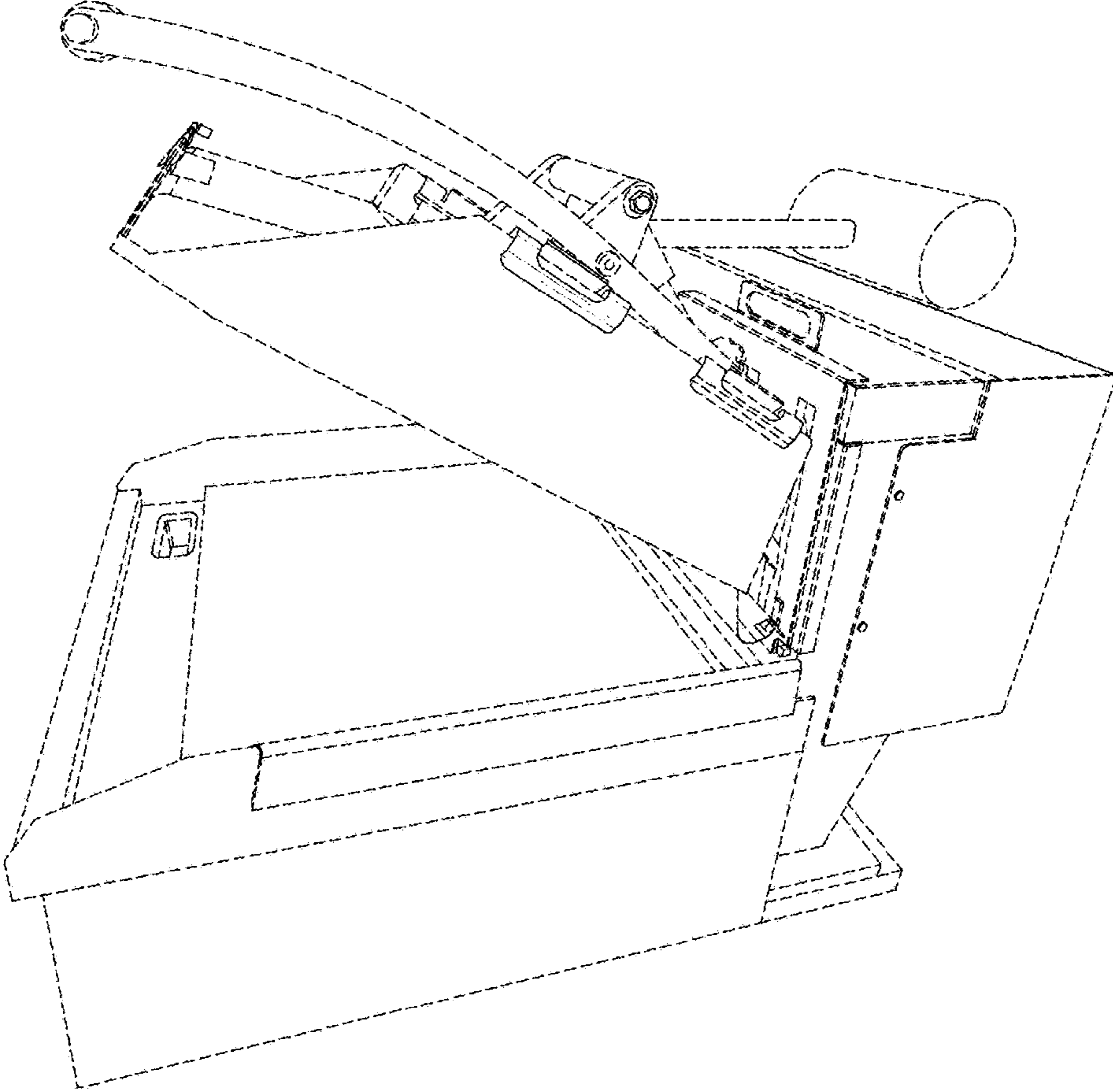


FIG.8