



US00D851444S

(12) **United States Design Patent** (10) **Patent No.:** **US D851,444 S**
Moon et al. (45) **Date of Patent:** **** Jun. 18, 2019**

(54) **VACCUM BLENDER BASE**

13/1835; B28C 5/10; B28C 5/12; B28C 5/14; B28C 5/16

(71) Applicant: **NuWave, LLC**, Libertyville, IL (US)

See application file for complete search history.

(72) Inventors: **Jung S. Moon**, Long Grove, IL (US);
Eunjung Huh, Grayslake, IL (US);
Byung G. Choi, Lake Villa, IL (US);
Li Xiang Jun, Foshan (CN); **Zeng Qing Ping**, Shanwei (CN)

(56) **References Cited**

U.S. PATENT DOCUMENTS

D625,142	S	*	10/2010	Moore	D7/376
D688,911	S	*	9/2013	Chiarini	D7/376
D730,683	S	*	6/2015	Tu	D7/376
D733,488	S	*	7/2015	Tu	D7/376
D773,248	S	*	12/2016	Barquin	D7/376
D778,665	S	*	2/2017	Barquin	D7/376
D797,496	S	*	9/2017	Gee, II	A47J 27/004 D7/376
D809,333	S	*	2/2018	Lee	D7/386
D821,806	S	*	7/2018	Coakley	D7/386
D834,878	S	*	12/2018	Moon	D7/386
2006/0263501	A1	*	11/2006	Oghafua	A47J 27/004 426/523

(73) Assignee: **NUWAVE, LLC**, Libertyville, IL (US)

(**) Term: **15 Years**

(21) Appl. No.: **29/671,556**

(22) Filed: **Nov. 28, 2018**

(Continued)

Related U.S. Application Data

Primary Examiner — Ricky Pham

(62) Division of application No. 29/608,495, filed on Jun. 22, 2017, now Pat. No. Des. 834,878.

(74) *Attorney, Agent, or Firm* — Bishop, Diehl & Lee, Ltd.

(51) **LOC (11) Cl.** **31-00**

(57) **CLAIM**

The ornamental design for a vacuum blender base, as shown and described.

(52) **U.S. Cl.**

USPC **D7/386**; D7/376; D7/378; D7/384

DESCRIPTION

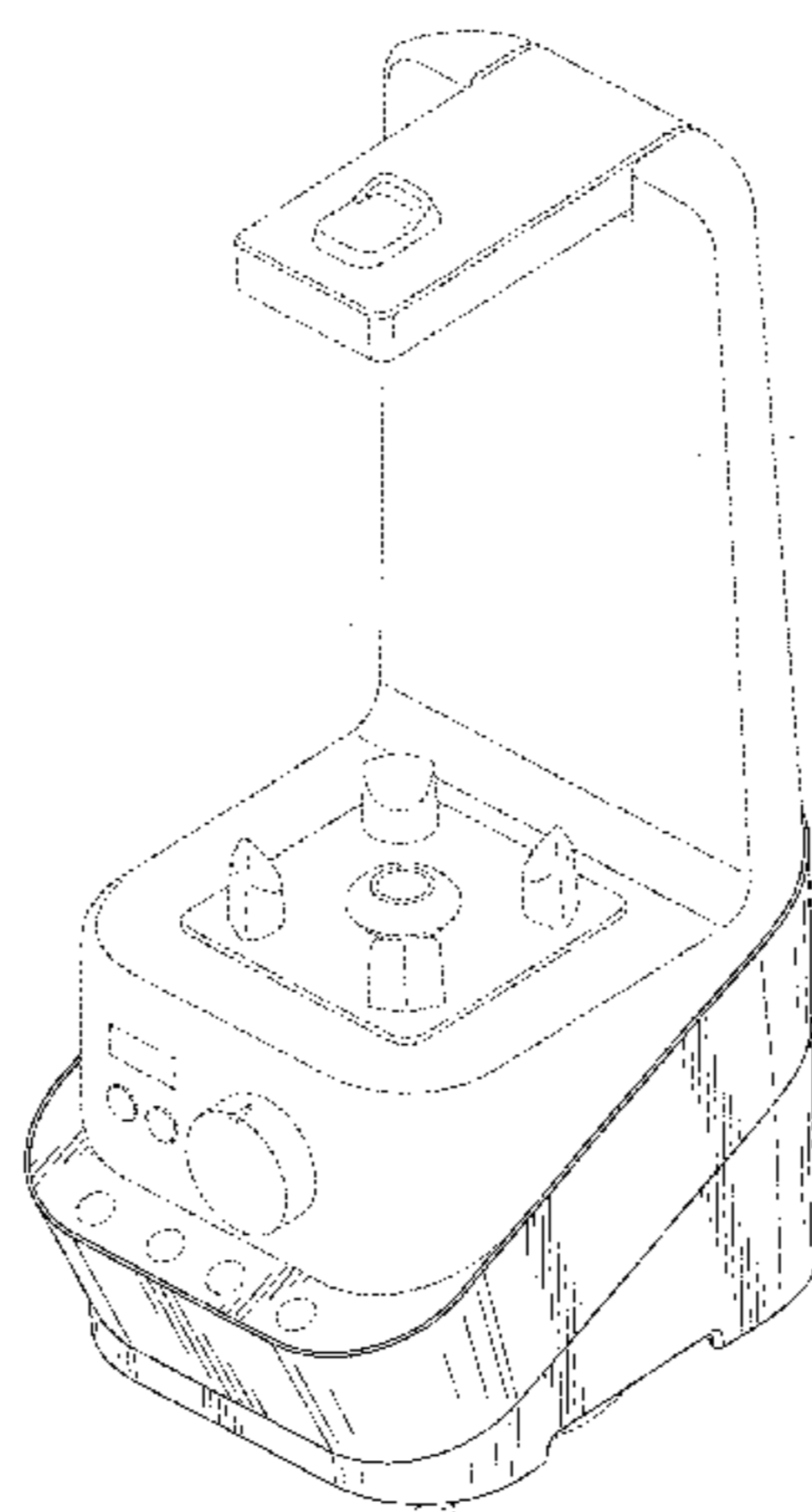
(58) **Field of Classification Search**

USPC D7/372, 376–386, 412–413, 602, 629, D7/665–666, 669, 679, 693–694

CPC A21C 1/02; A21C 1/04; A23N 1/00; A23N 1/02; A47J 27/004; A47J 43/04; A47J 43/25; A47J 43/27; A47J 43/042; A47J 43/044; A47J 43/046; A47J 43/075; A47J 43/0722; A47J 43/0727; A47J 43/0777; B01F 3/00; B01F 3/0807; B01F 3/0853; B01F 13/0059; B01F 13/0064; B02C 1/08; B02C 2/04; B02C 4/42; B02C 4/142; B02C 4/143; B02C 4/423; B02C

FIG. 1 is an elevated isometric view of a vacuum blender base showing the new design;
FIG. 2 is a front view of the vacuum blender base shown in FIG. 1;
FIG. 3 is a rear view of the vacuum blender base shown in FIG. 1;
FIG. 4 is a right side view of the vacuum blender base shown in FIG. 1;
FIG. 5 is a left side view of the vacuum blender base shown in FIG. 1;
FIG. 6 is a top view of the vacuum blender base shown in FIG. 1; and,
FIG. 7 is a bottom view of the vacuum blender base shown in FIG. 1.

(Continued)



The broken lines showing of the appended figures are for purposes of illustrating environmental structures and form no part of the claimed design.

1 Claim, 7 Drawing Sheets

(56) **References Cited**

U.S. PATENT DOCUMENTS

2008/0089171 A1* 4/2008 Larsen A47J 43/046
366/206
2012/0027902 A1* 2/2012 Audette A47J 43/0777
426/518

* cited by examiner

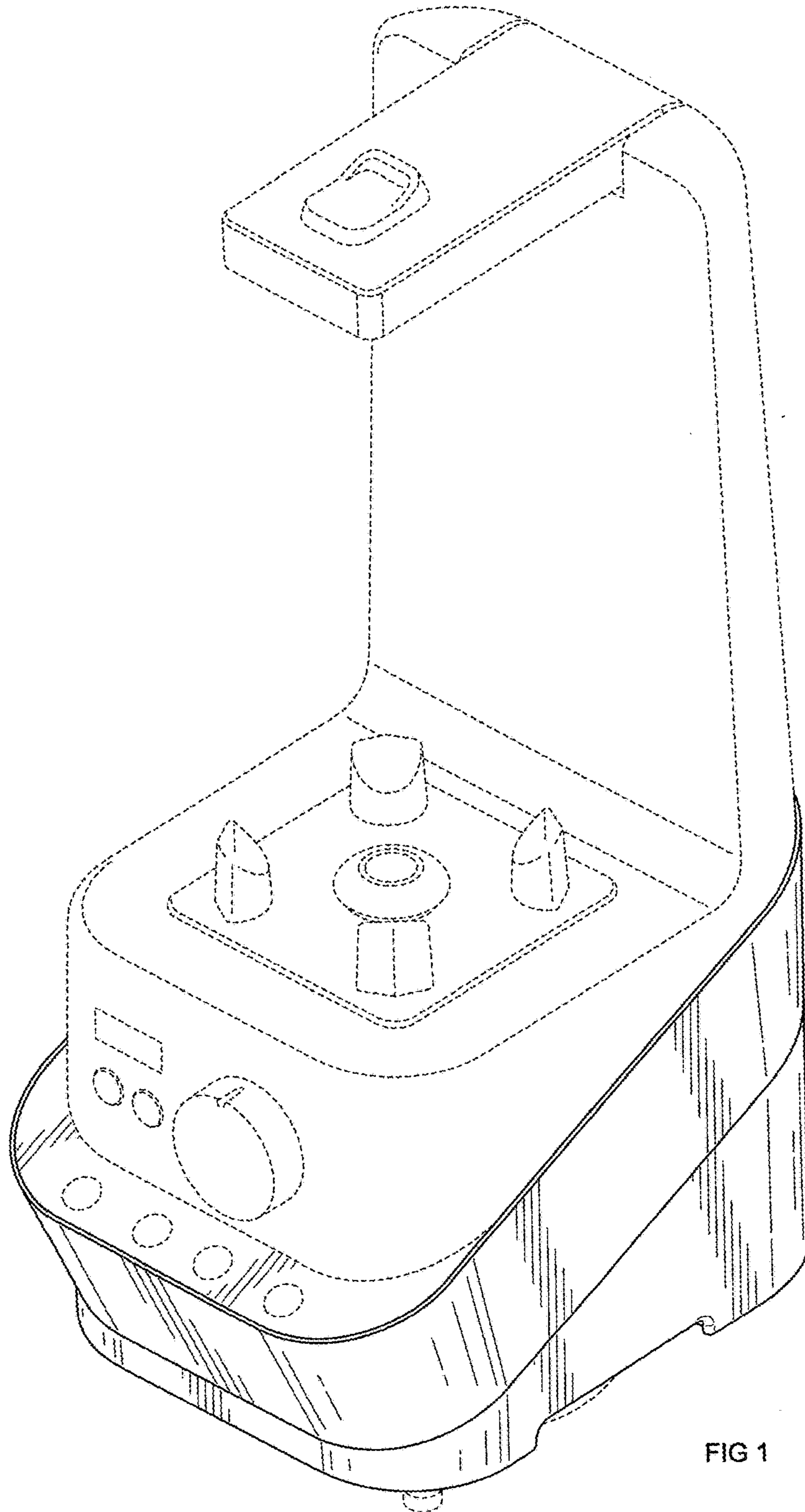


FIG 1

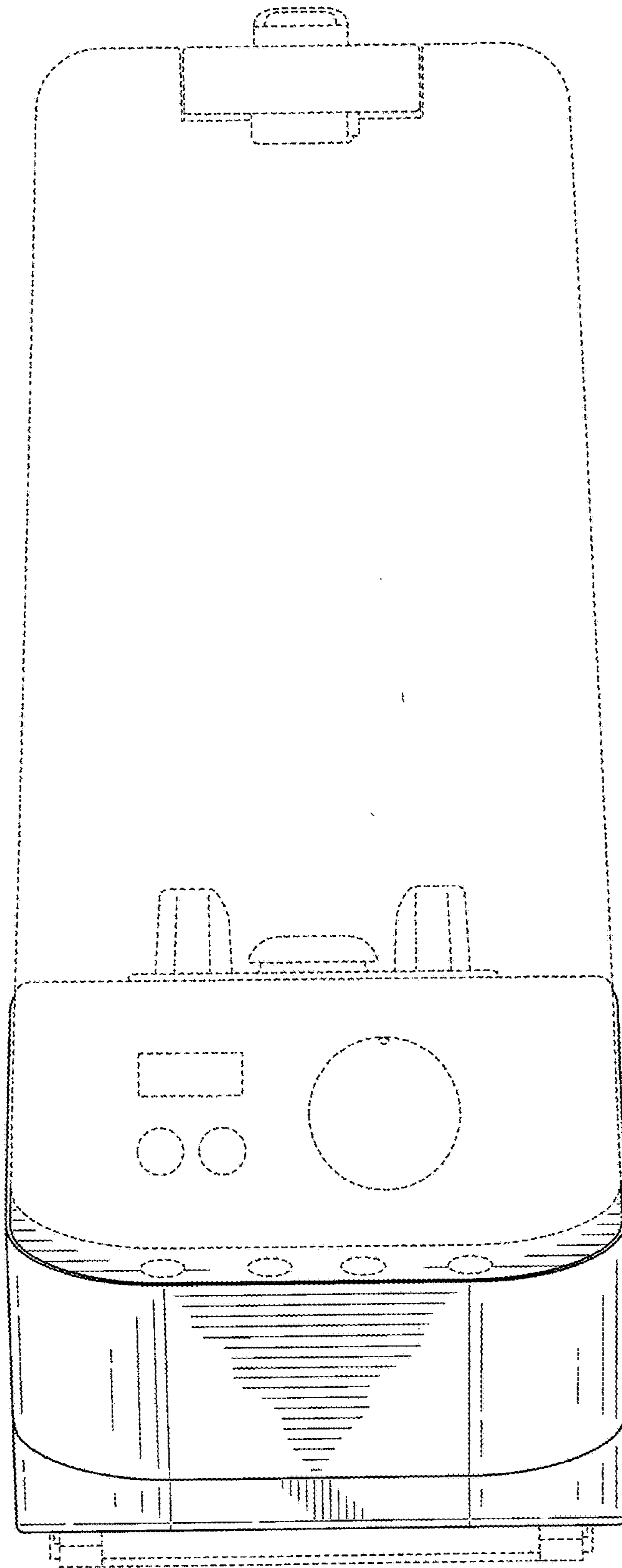


FIG 2

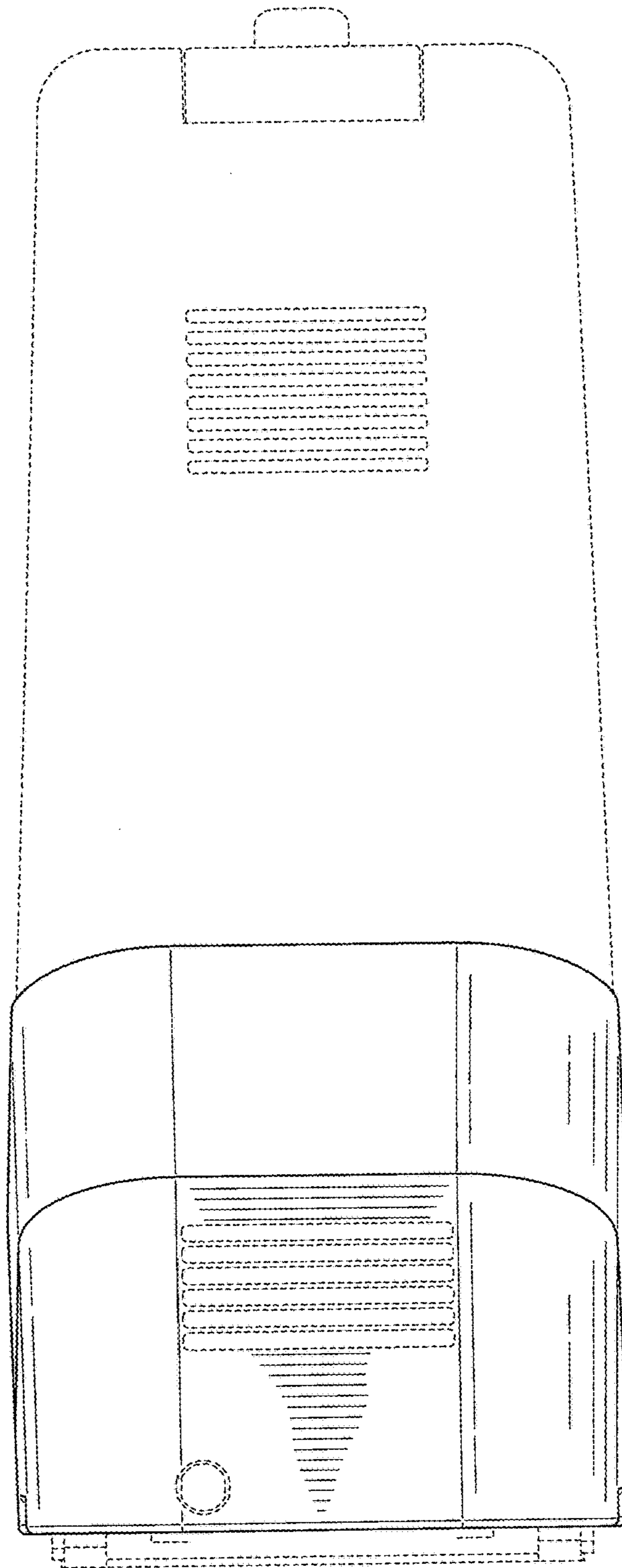


FIG 3

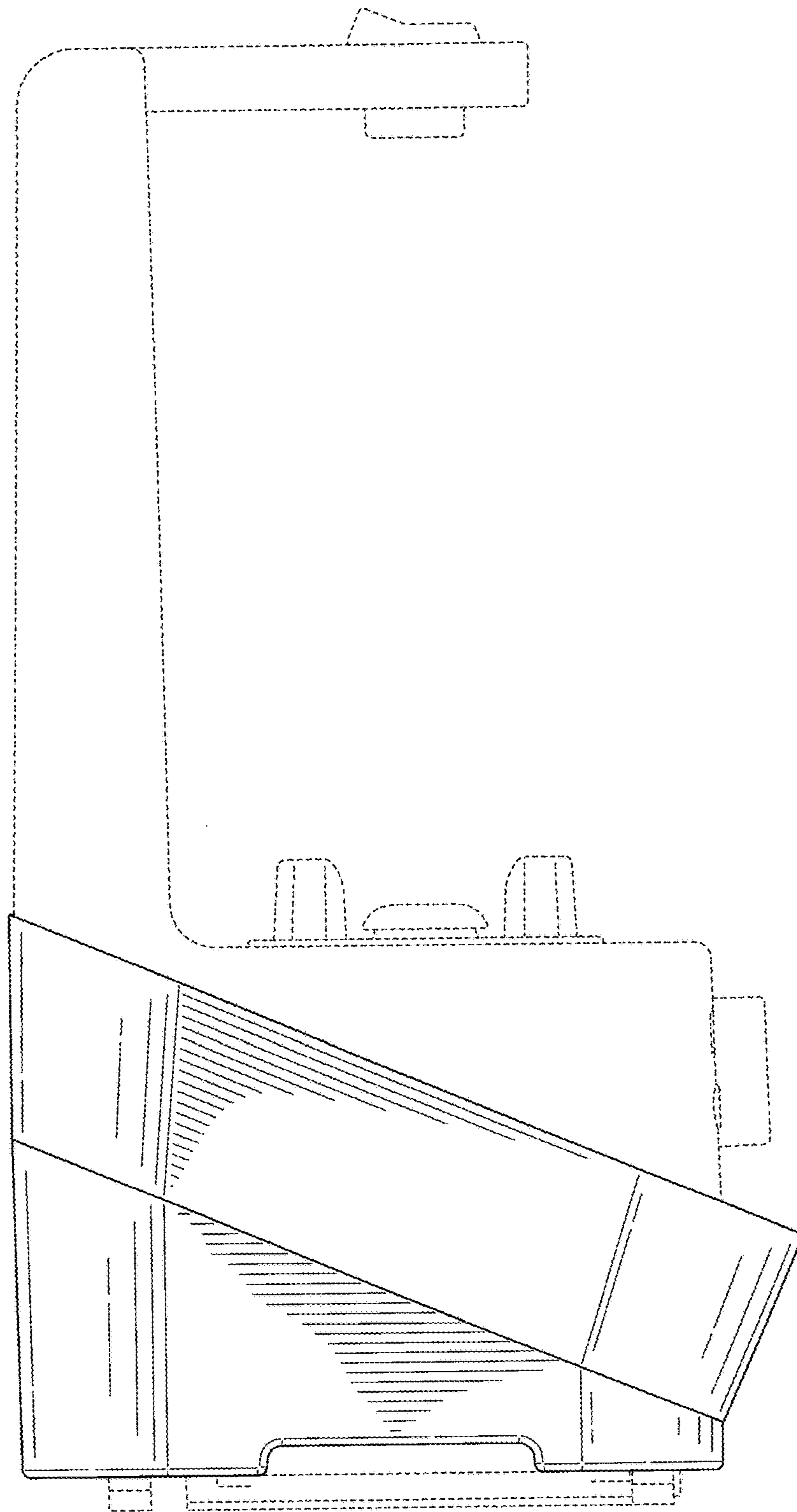


FIG 4

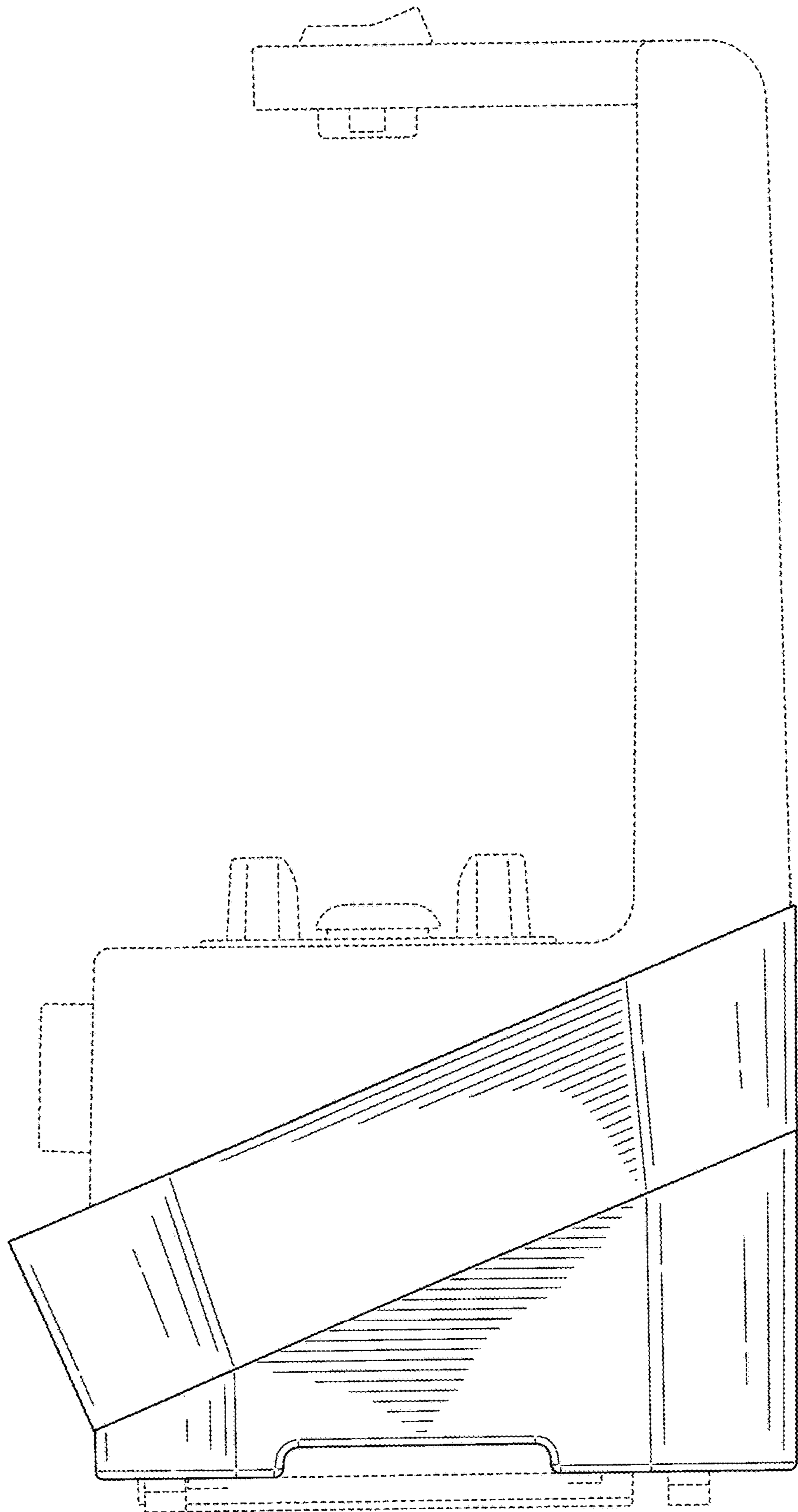


FIG 5

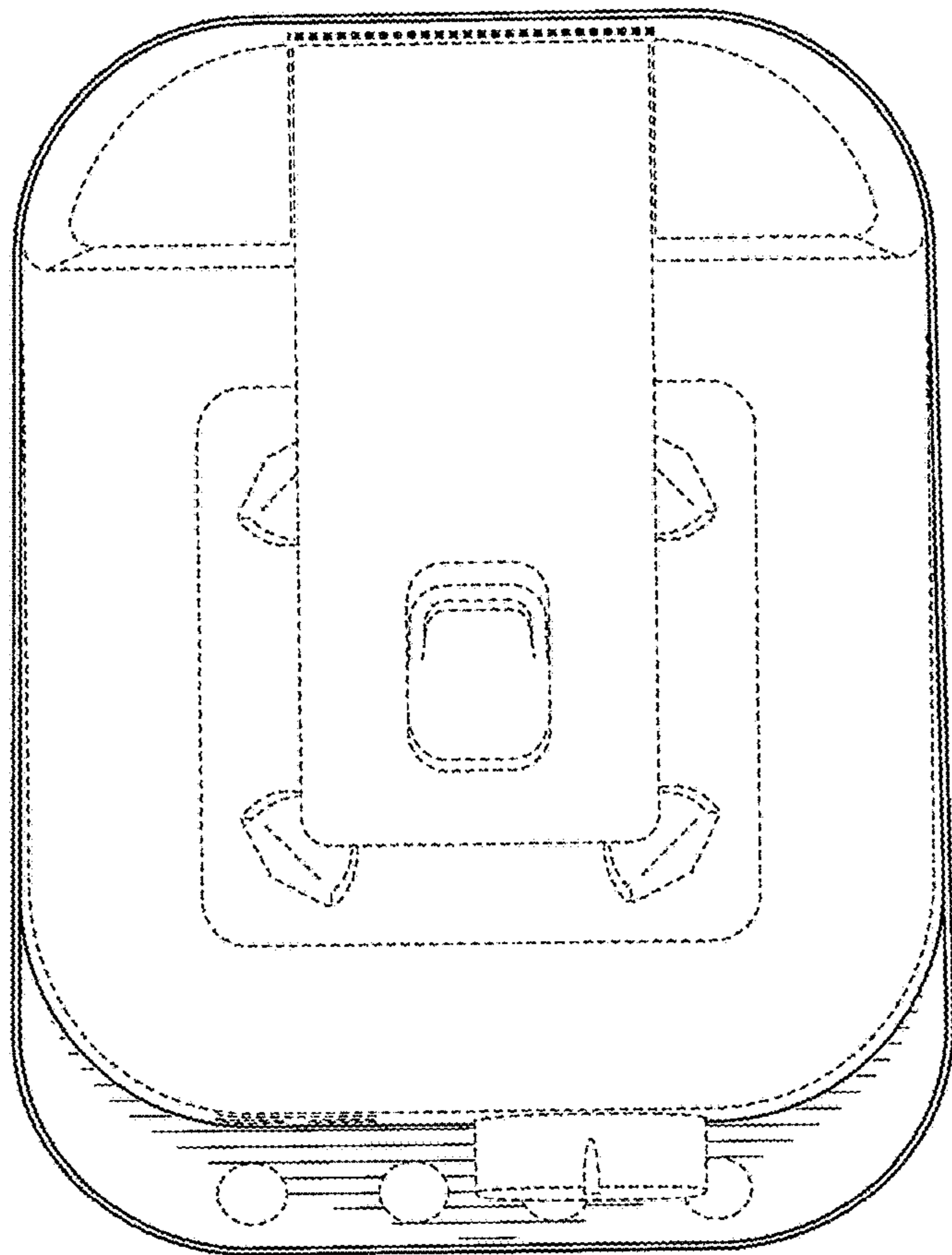


FIG 6

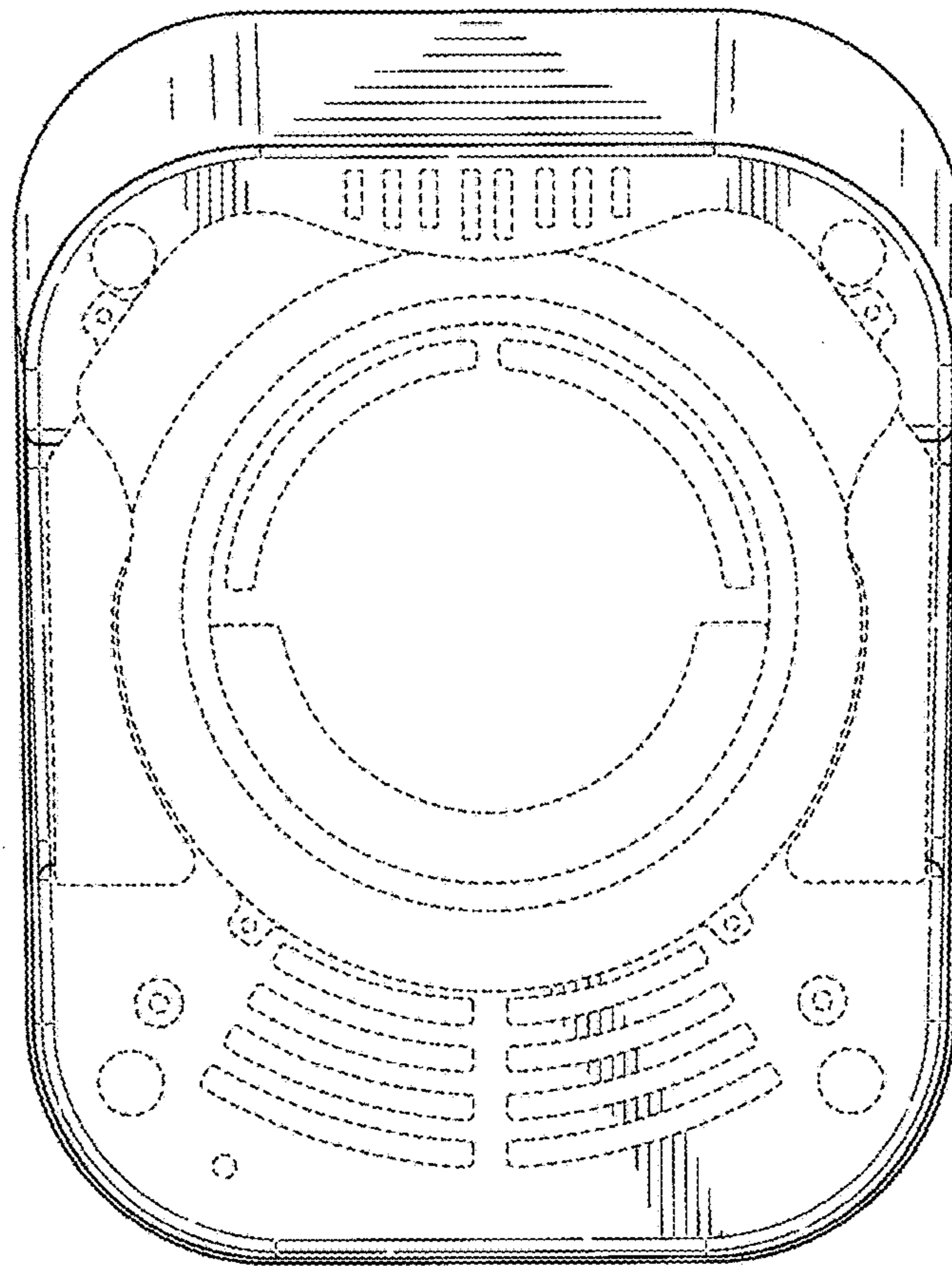


FIG 7