



US00D851443S

(12) **United States Design Patent**
Saubert et al.

(10) **Patent No.:** **US D851,443 S**
(45) **Date of Patent:** **** Jun. 18, 2019**

(54) **STAND MIXER**

B02C 13/1835; B28C 5/10; B28C 5/12;
B28C 5/14; B28C 5/16

(71) Applicant: **TRANSFORM SR BRANDS LLC**,
Hoffman Estates, IL (US)

See application file for complete search history.

(72) Inventors: **Michael Saubert**, Hoffman Estates, IL
(US); **Michael Seskauskas**, Lemont, IL
(US)

(56) **References Cited**

U.S. PATENT DOCUMENTS

D416,752 S * 11/1999 Leverrier A47J 43/0705
D7/376
D436,497 S * 1/2001 Nalbandian D7/379
D499,604 S * 12/2004 Hooper D7/376

(Continued)

(73) Assignee: **TRANSFORM SR BRANDS LLC**,
Hoffman Estates, IL (US)

Primary Examiner — Ricky Pham

(**) Term: **15 Years**

(74) *Attorney, Agent, or Firm* — McAndrews, Held &
Malloy, Ltd.

(21) Appl. No.: **29/663,876**

(57) **CLAIM**

(22) Filed: **Sep. 19, 2018**

The ornamental design for a stand mixer, as shown and
described.

Related U.S. Application Data

DESCRIPTION

(63) Continuation of application No. 29/648,605, filed on
May 22, 2018.

(51) **LOC (11) Cl.** **31-00**

(52) **U.S. Cl.**
USPC **D7/379**; D7/376; D7/384

(58) **Field of Classification Search**
USPC D7/372, 376–386, 412–413, 602, 629,
D7/665–666, 669, 679, 693–694
CPC A21C 1/02; A21C 1/04; A23N 1/00; A23N
1/02; A47J 43/04; A47J 43/25; A47J
43/27; A47J 43/042; A47J 43/044; A47J
43/046; A47J 43/075; A47J 43/0705;
A47J 43/0722; A47J 43/0727; A47J
43/0777; B01F 3/00; B01F 3/0807; B01F
3/0853; B01F 13/0059; B01F 13/0064;
B02C 1/08; B02C 2/04; B02C 4/42;
B02C 4/142; B02C 4/143; B02C 4/423;

FIG. 1 is a top-front perspective view of a stand mixer
showing our new design according to a first embodiment;
FIG. 2 is another top-front perspective view thereof;
FIG. 3 is a front elevation view thereof;
FIG. 4 is a rear elevation view thereof;
FIG. 5 is a right side elevation view thereof;
FIG. 6 is a left side elevation view thereof;
FIG. 7 is a top plan view thereof;
FIG. 8 is a bottom plan view thereof;
FIG. 9 is a bottom-rear perspective view thereof;
FIG. 10 is a bottom-front perspective view thereof;
FIG. 11 is a top-front perspective view of a stand mixer
showing our new design, shown without the container and
lid for clarity and completeness of disclosure;
FIG. 12 is another top-front perspective view thereof;
FIG. 13 is a front elevation view thereof;
FIG. 14 is a rear elevation view thereof;
FIG. 15 is a right side elevation view thereof;
FIG. 16 is a left side elevation view thereof;
FIG. 17 is a top plan view thereof;
FIG. 18 is a bottom plan view thereof;

(Continued)

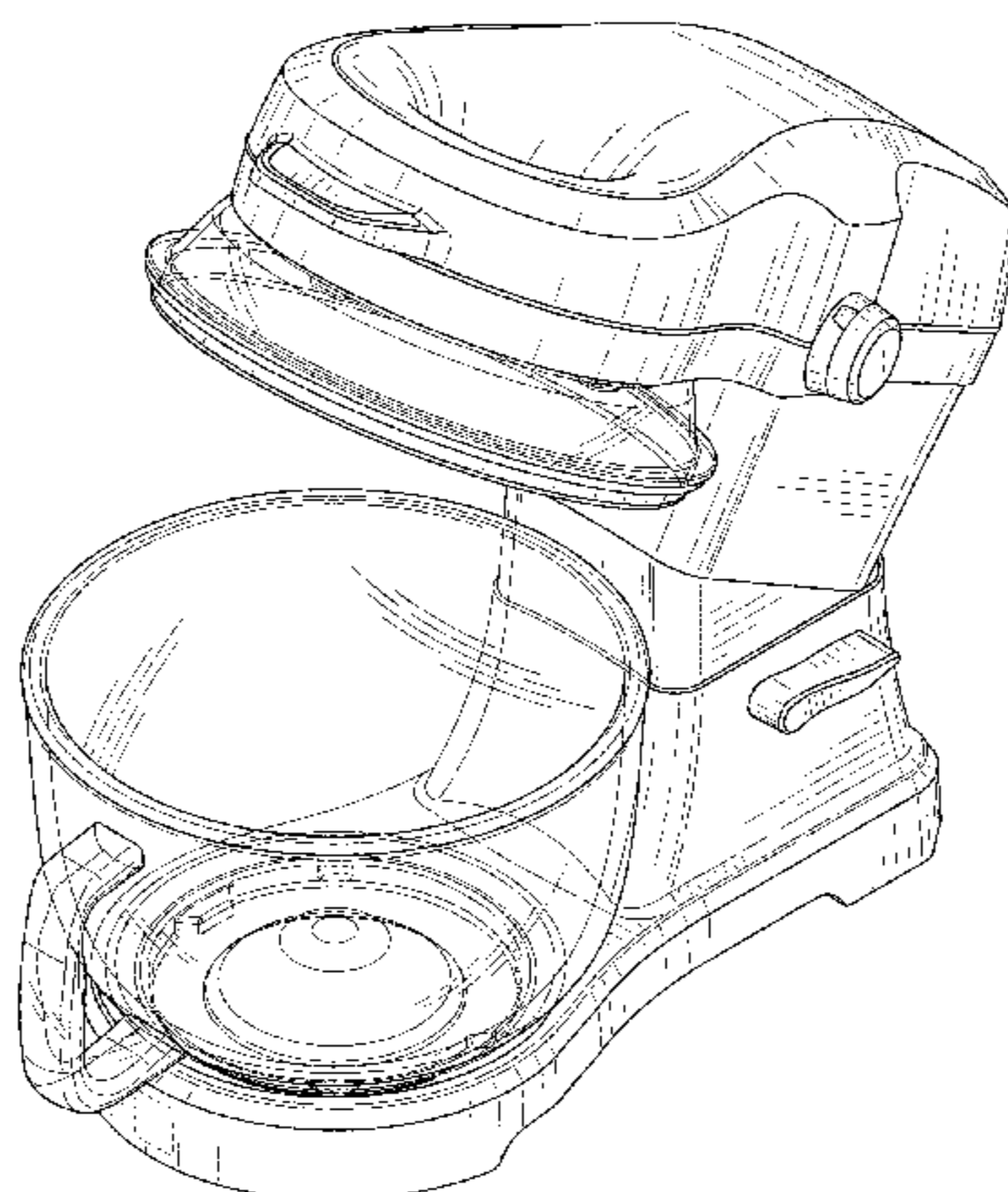


FIG. 19 is a bottom-rear perspective view thereof; and,
FIG. 20 is a bottom-front perspective view thereof.
The dashed broken lines in the figures illustrate portions of
the stand mixer that form no part of the claimed design.

1 Claim, 20 Drawing Sheets

(56)

References Cited

U.S. PATENT DOCUMENTS

D530,146 S *	10/2006	Ball	D7/379
D533,017 S *	12/2006	Wilson	D7/376
D632,922 S *	2/2011	Grigor	D7/376
D633,334 S *	3/2011	Kaiser	D7/376
D728,304 S *	5/2015	Weaden	D7/376
D743,735 S *	11/2015	Weaden	D7/376
D748,428 S *	2/2016	Yuan	D7/376
D818,761 S *	5/2018	Wang	D7/378
D825,256 S *	8/2018	Vu	D7/379
2011/0122723 A1 *	5/2011	Saubert	A47J 43/0705 366/200

* cited by examiner

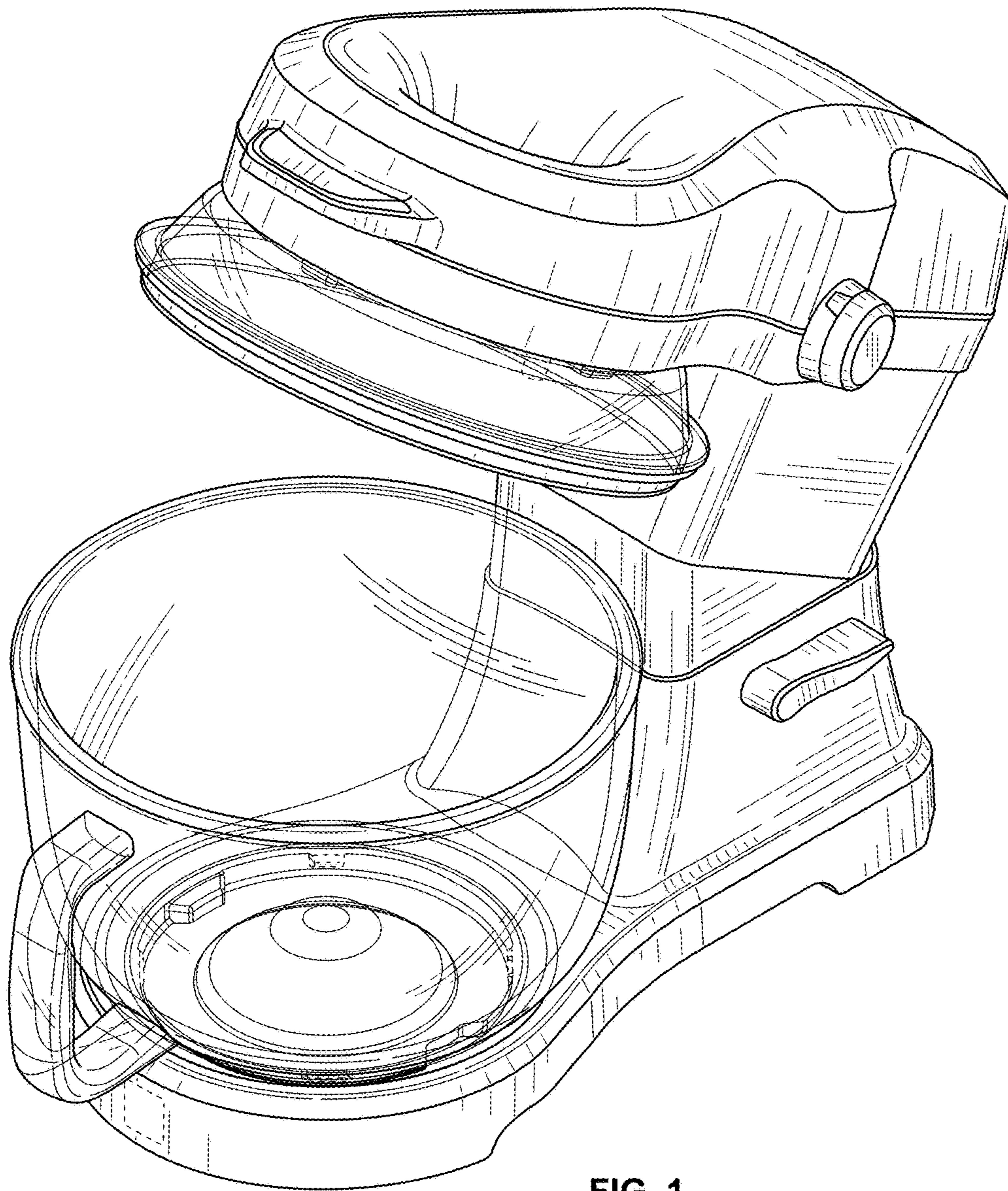


FIG. 1

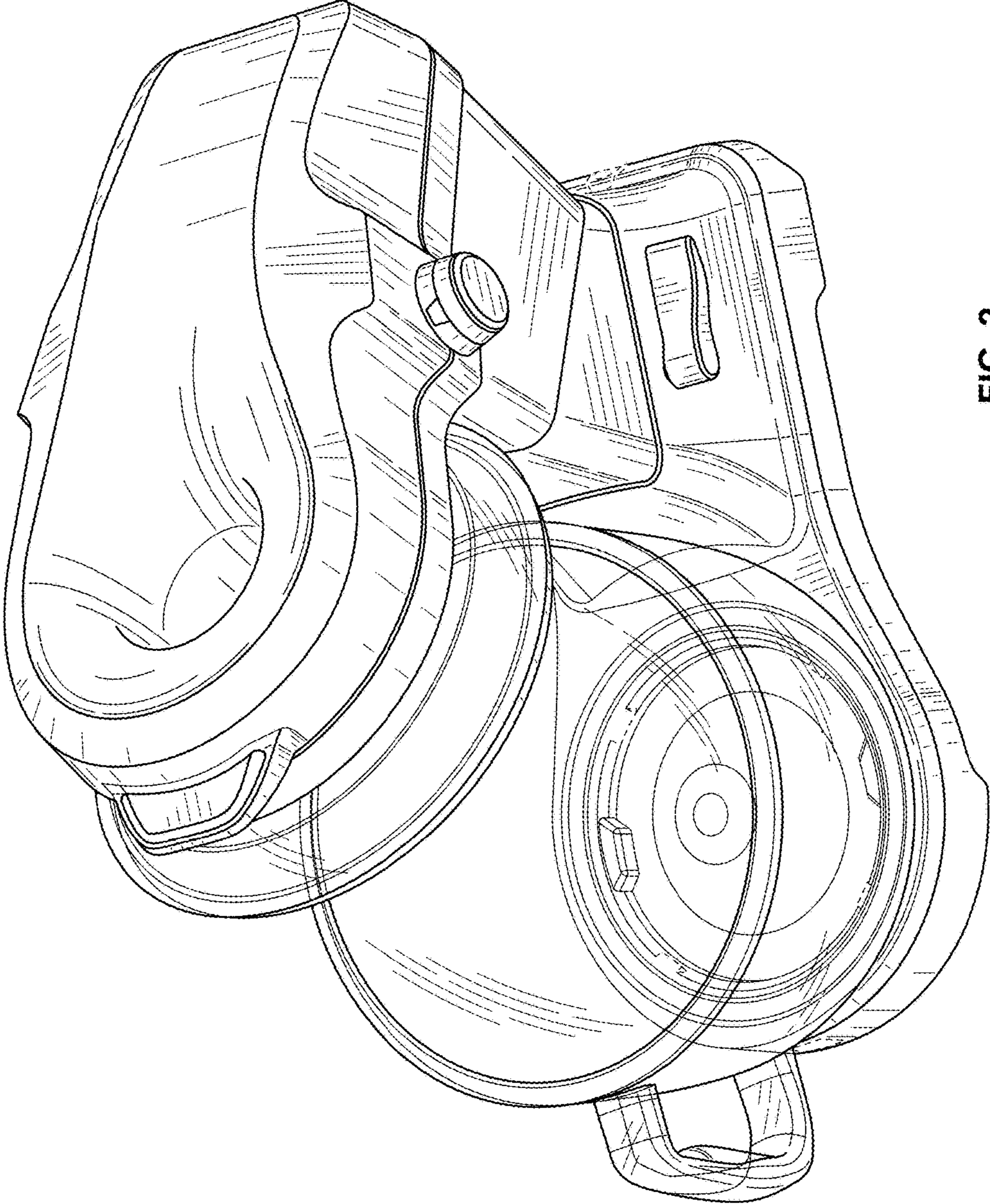


FIG. 2

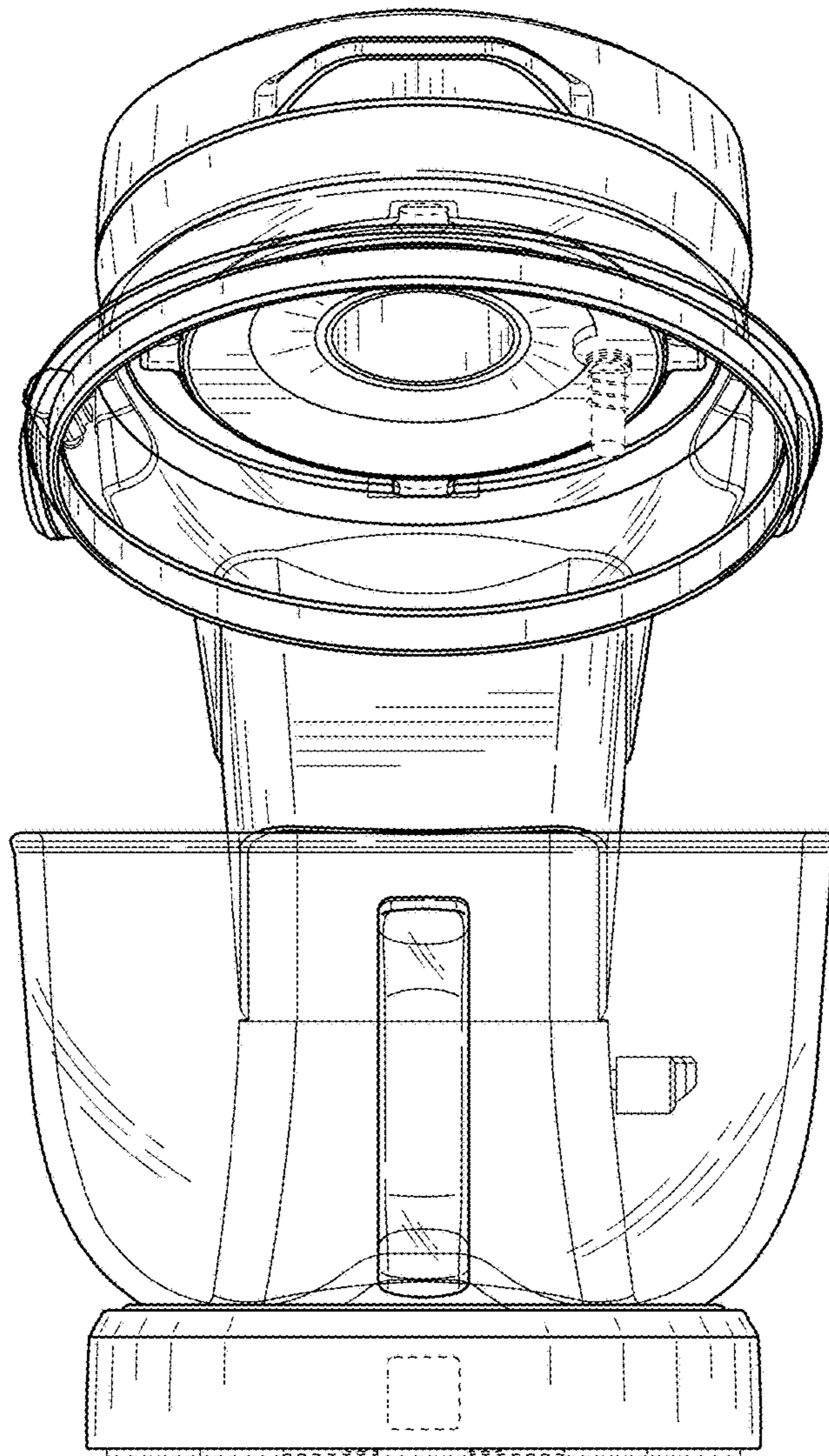


FIG. 3

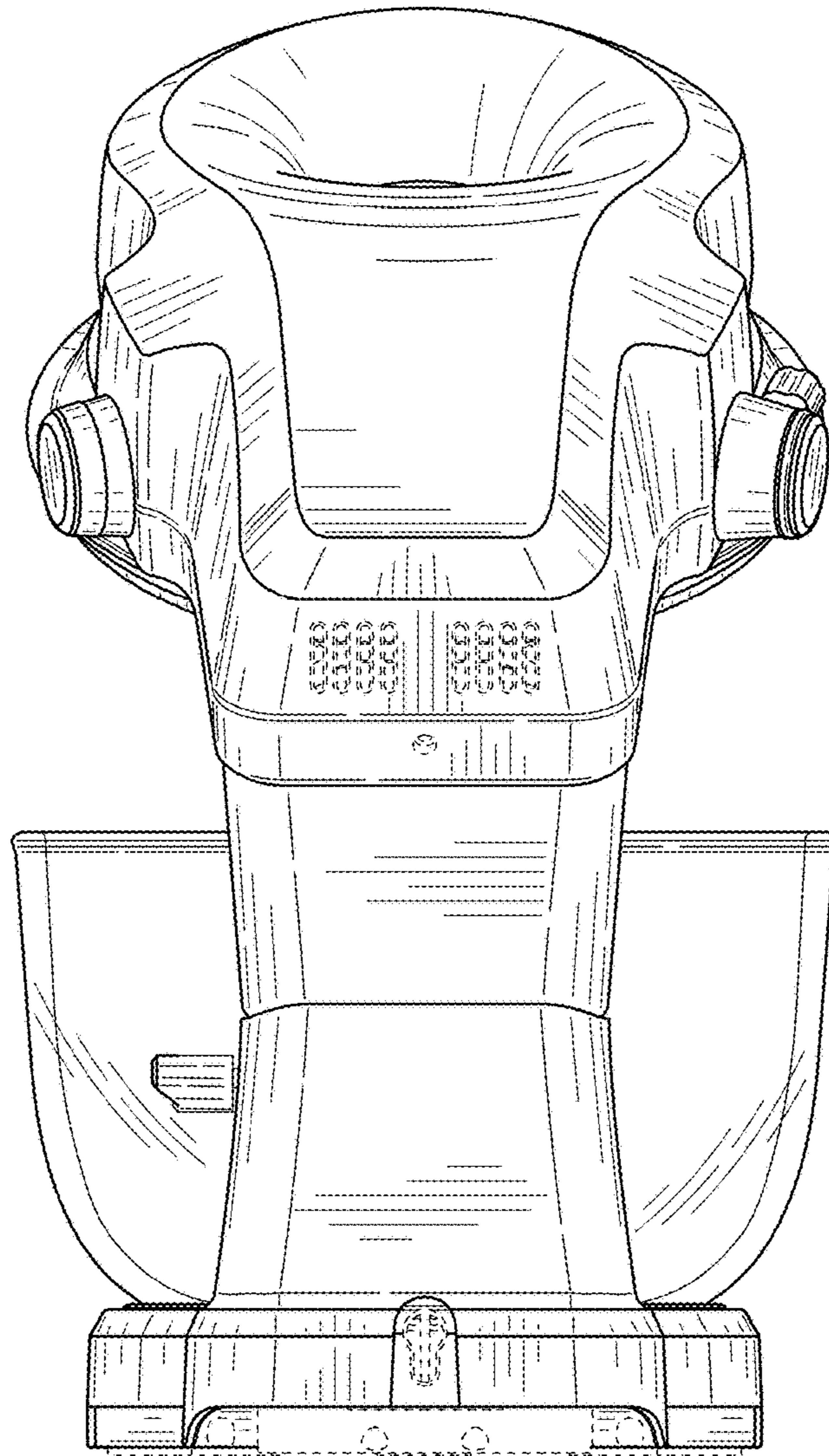


FIG. 4

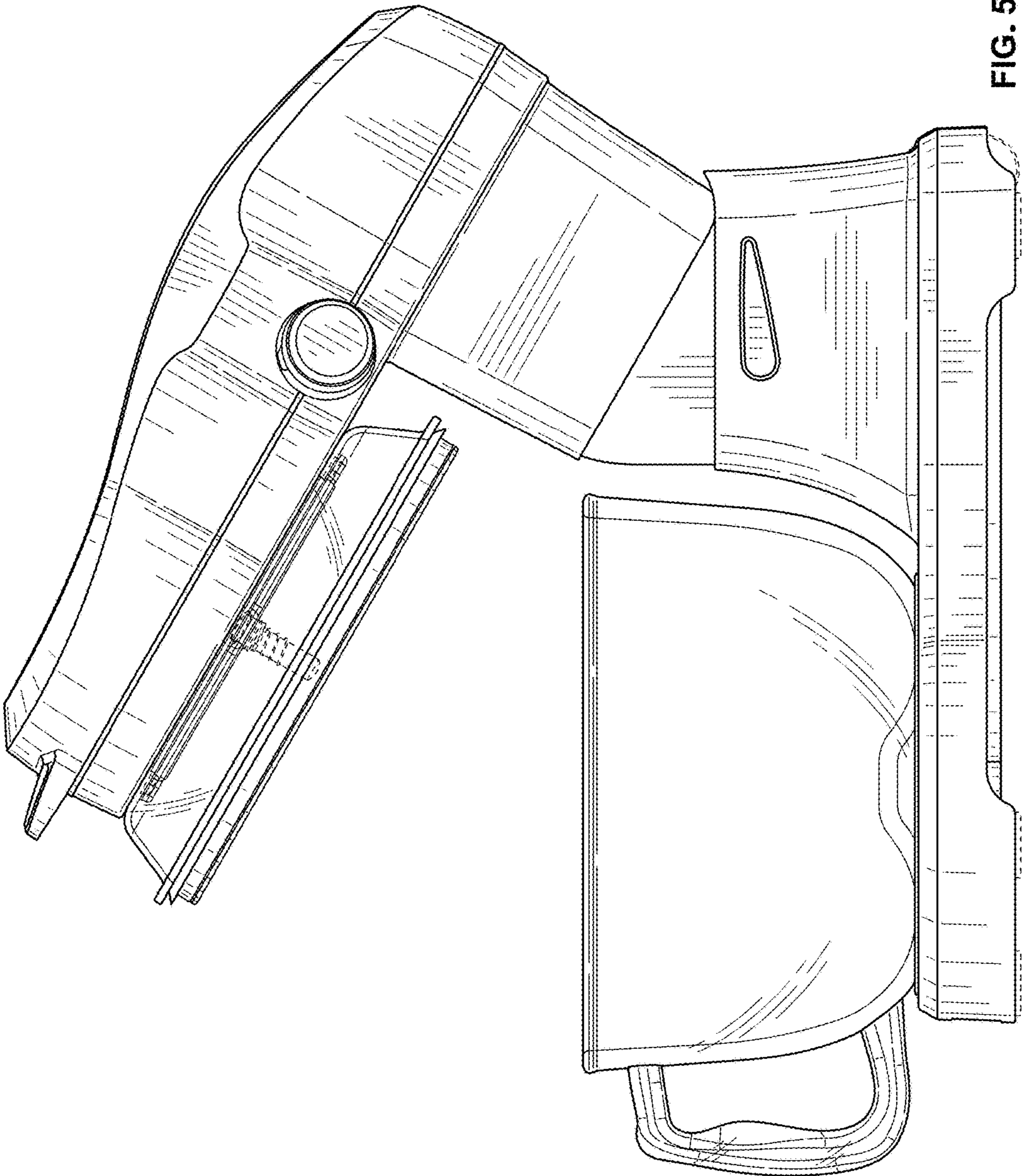


FIG. 5

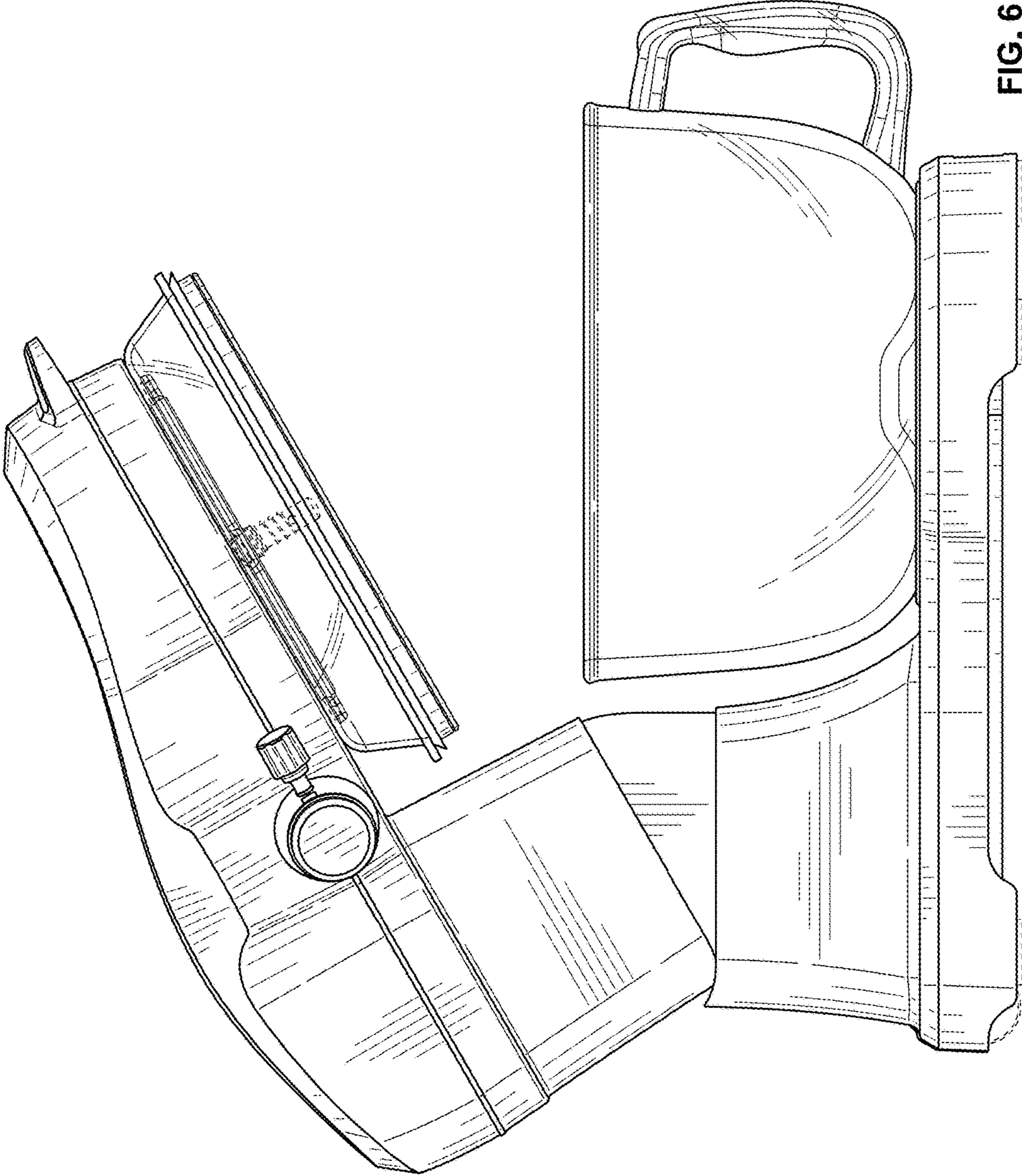


FIG. 6

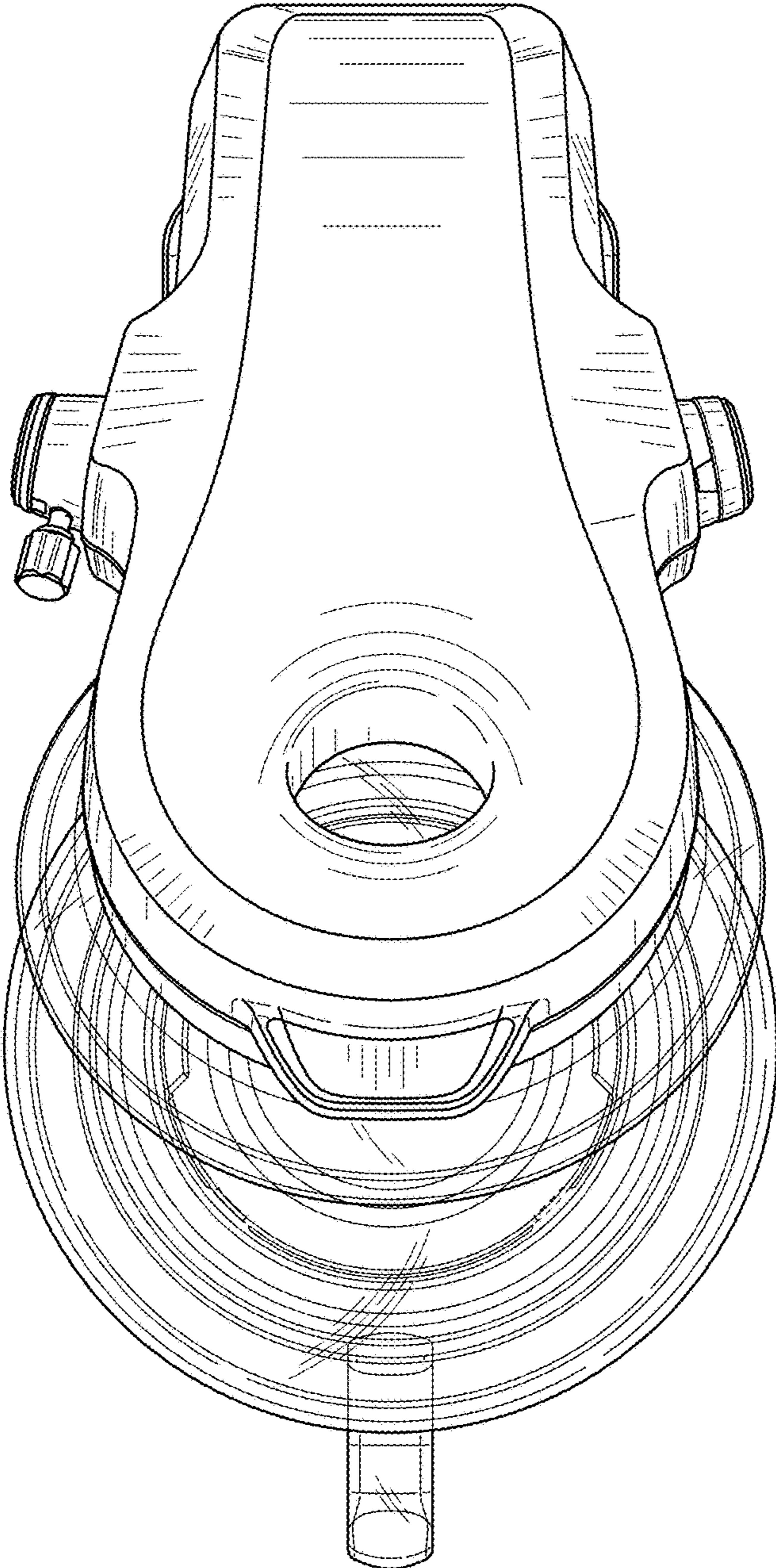


FIG. 7

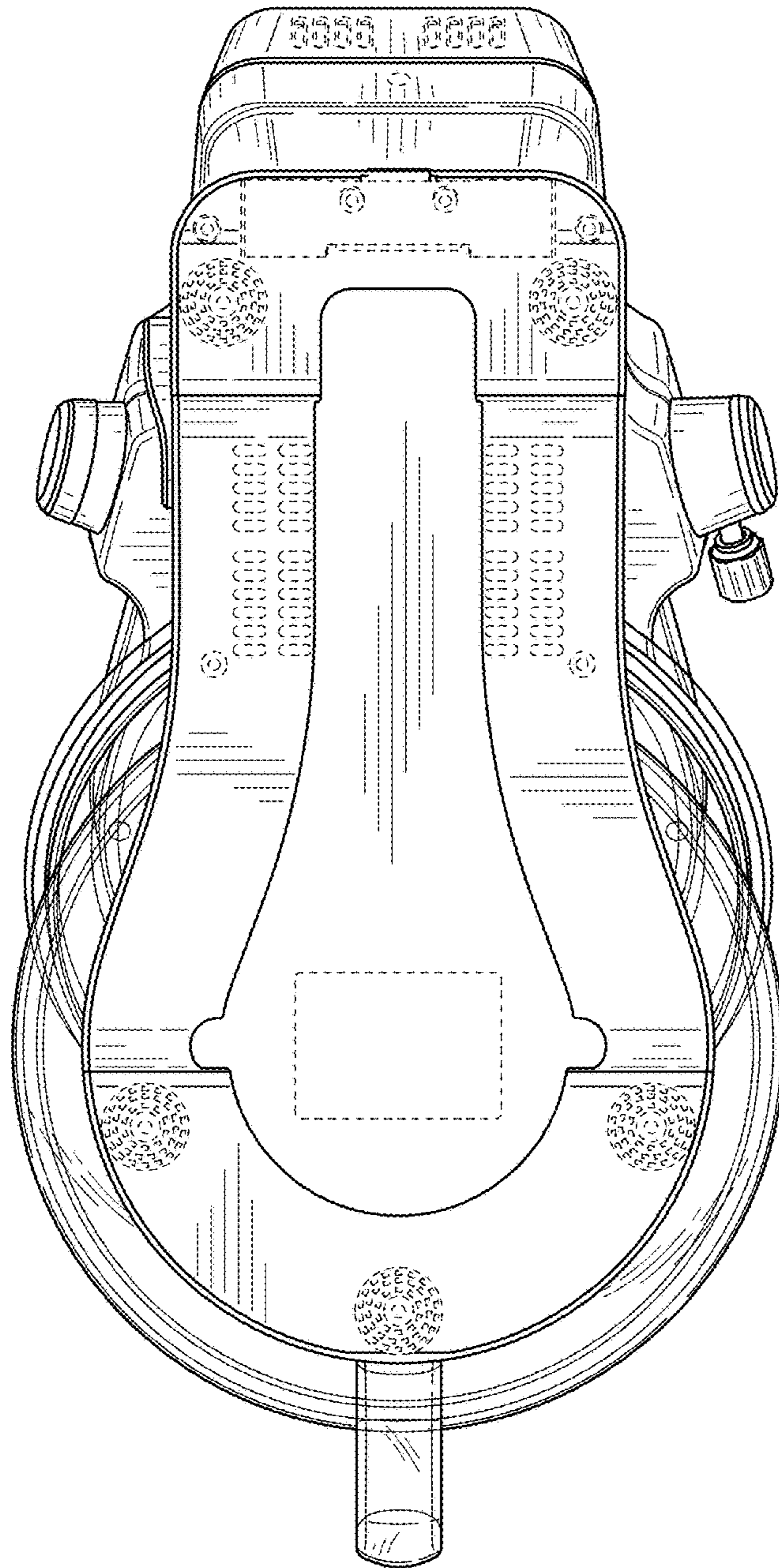


FIG. 8

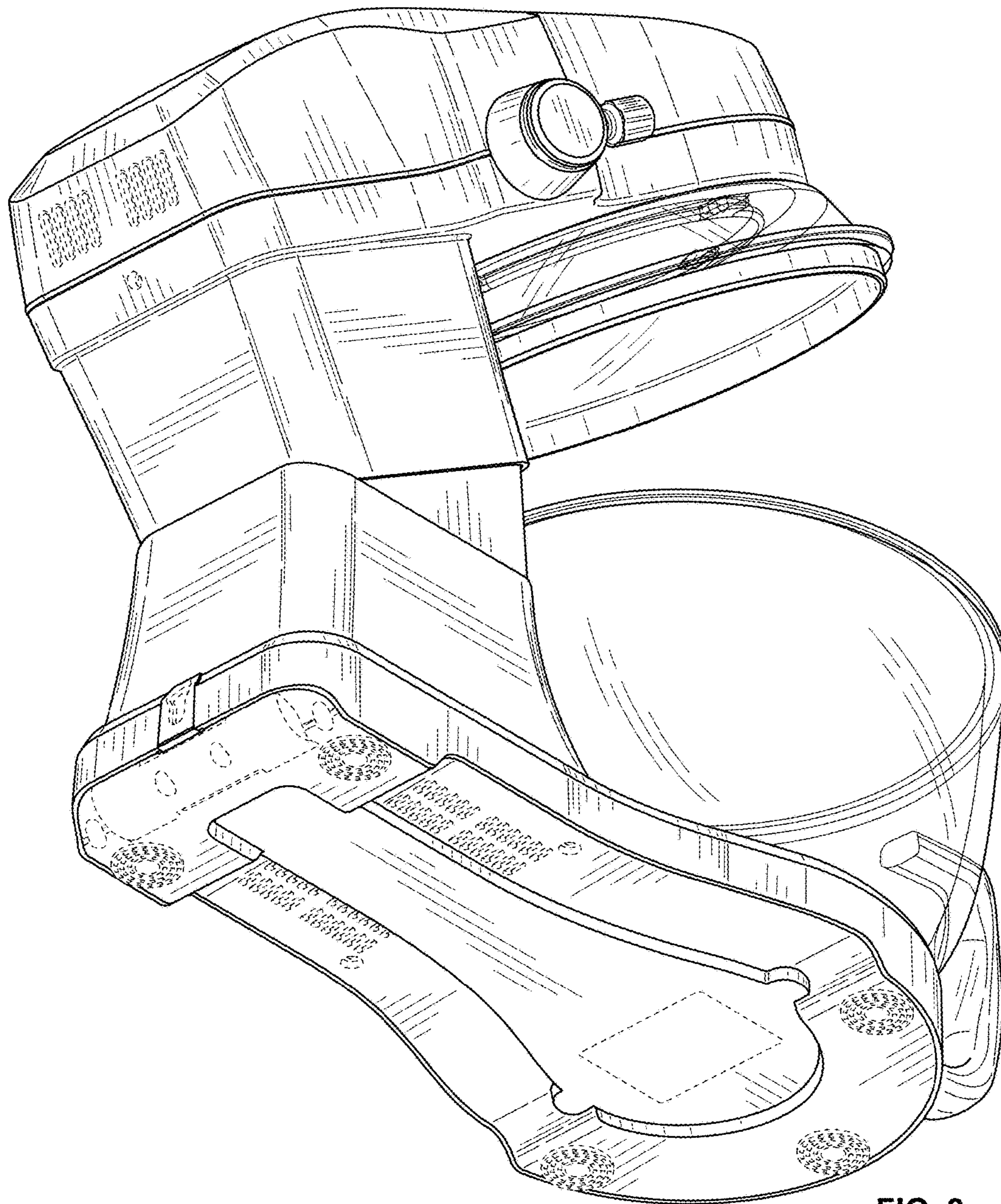


FIG. 9

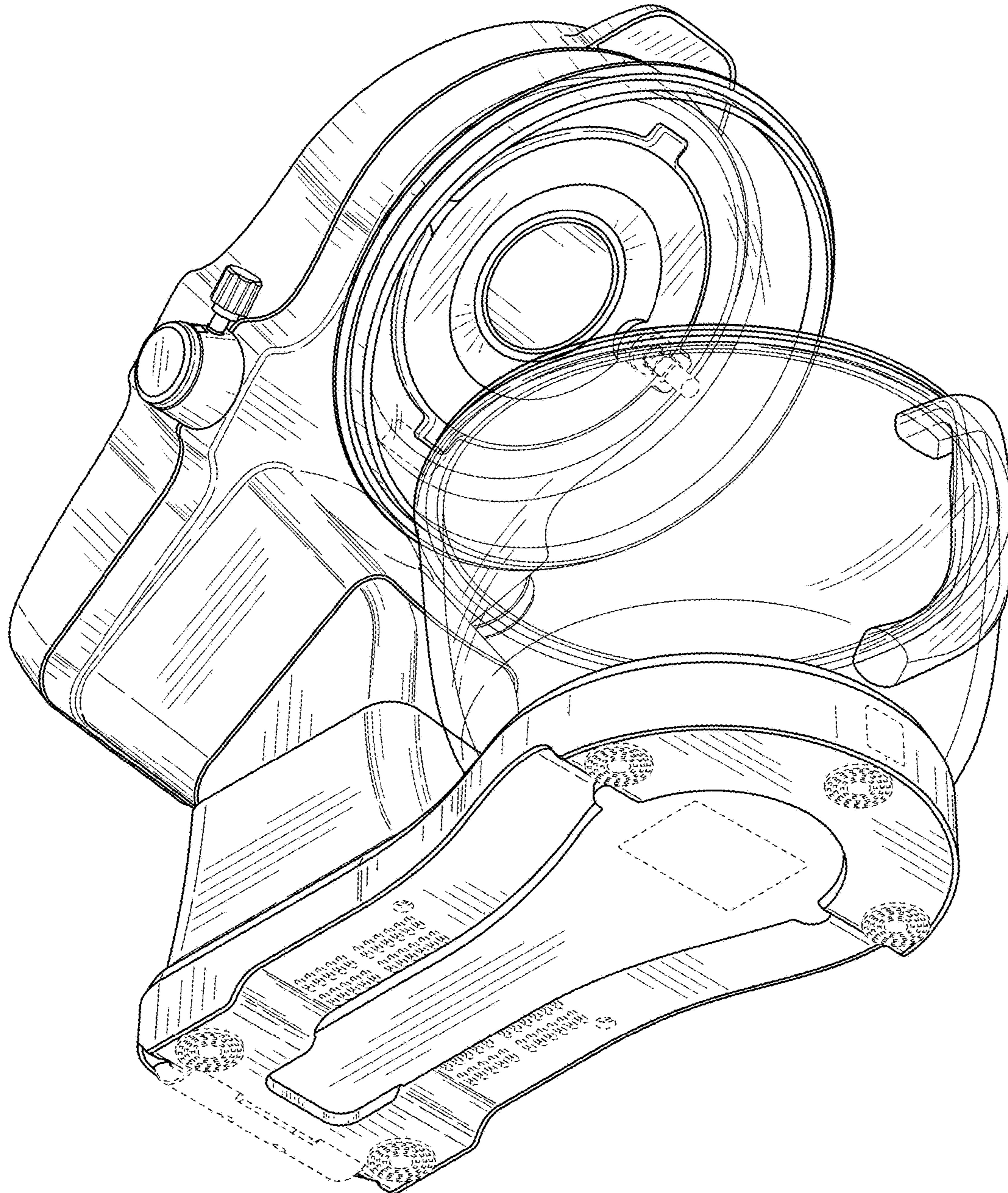


FIG. 10

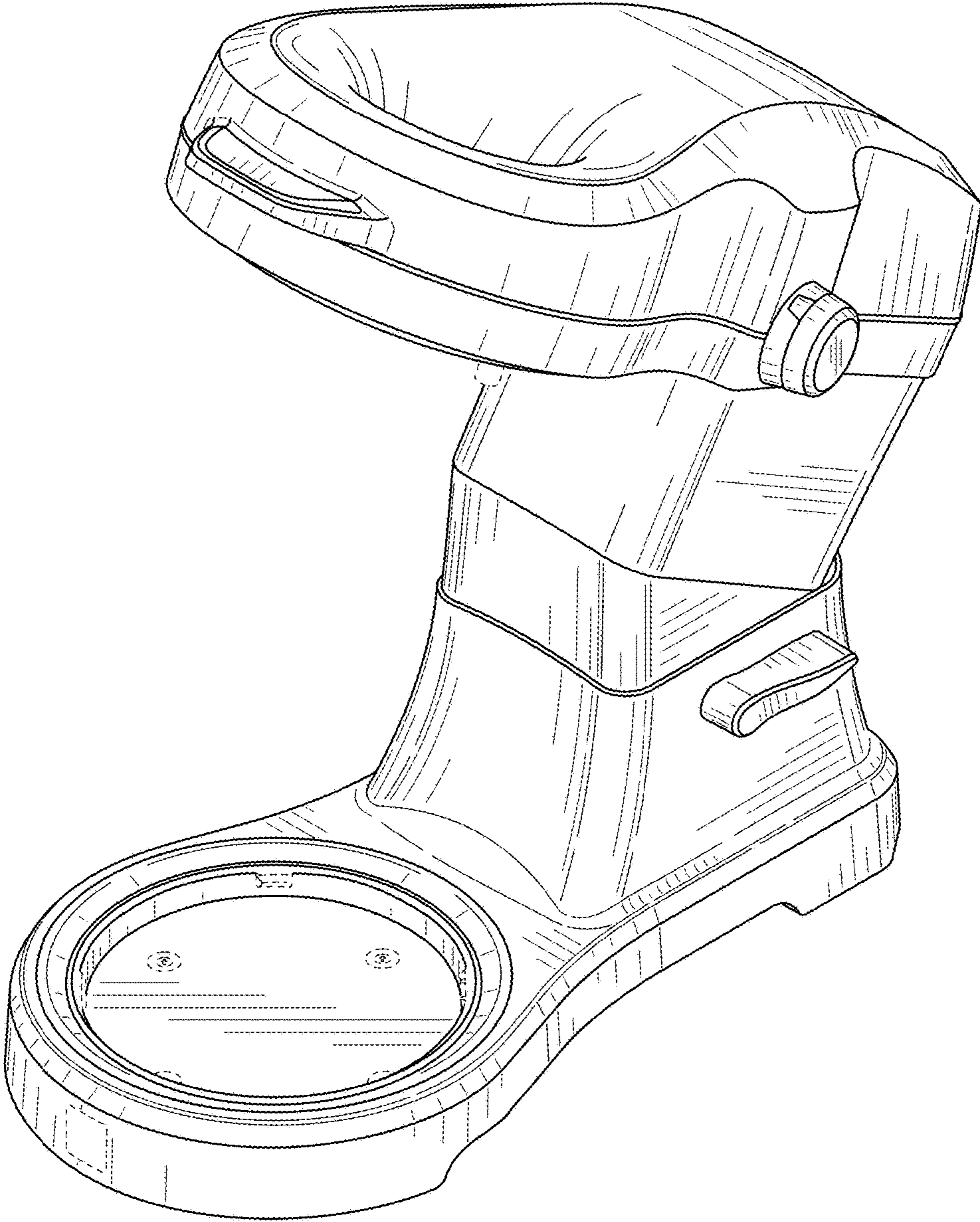


FIG. 11

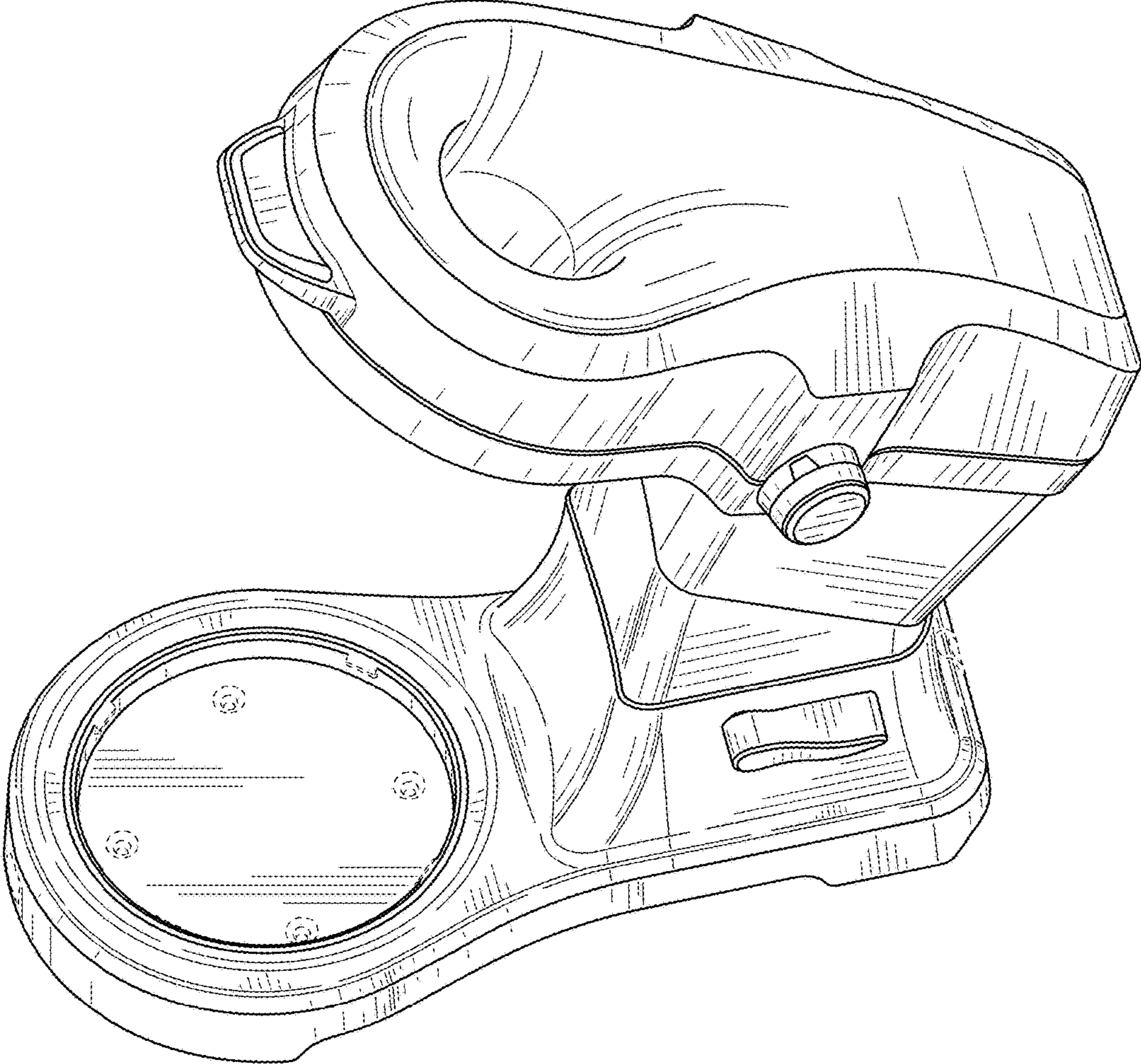


FIG. 12

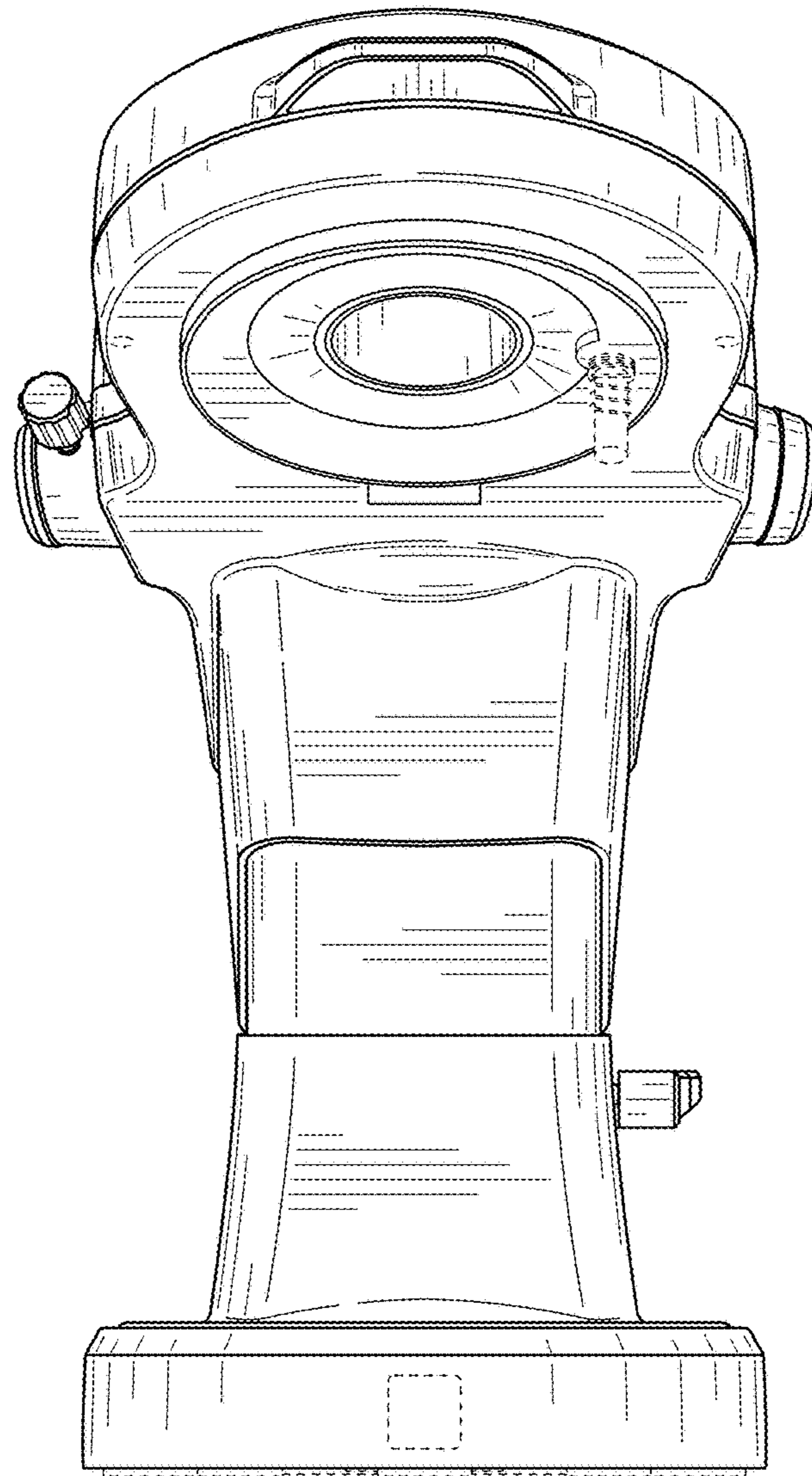


FIG. 13

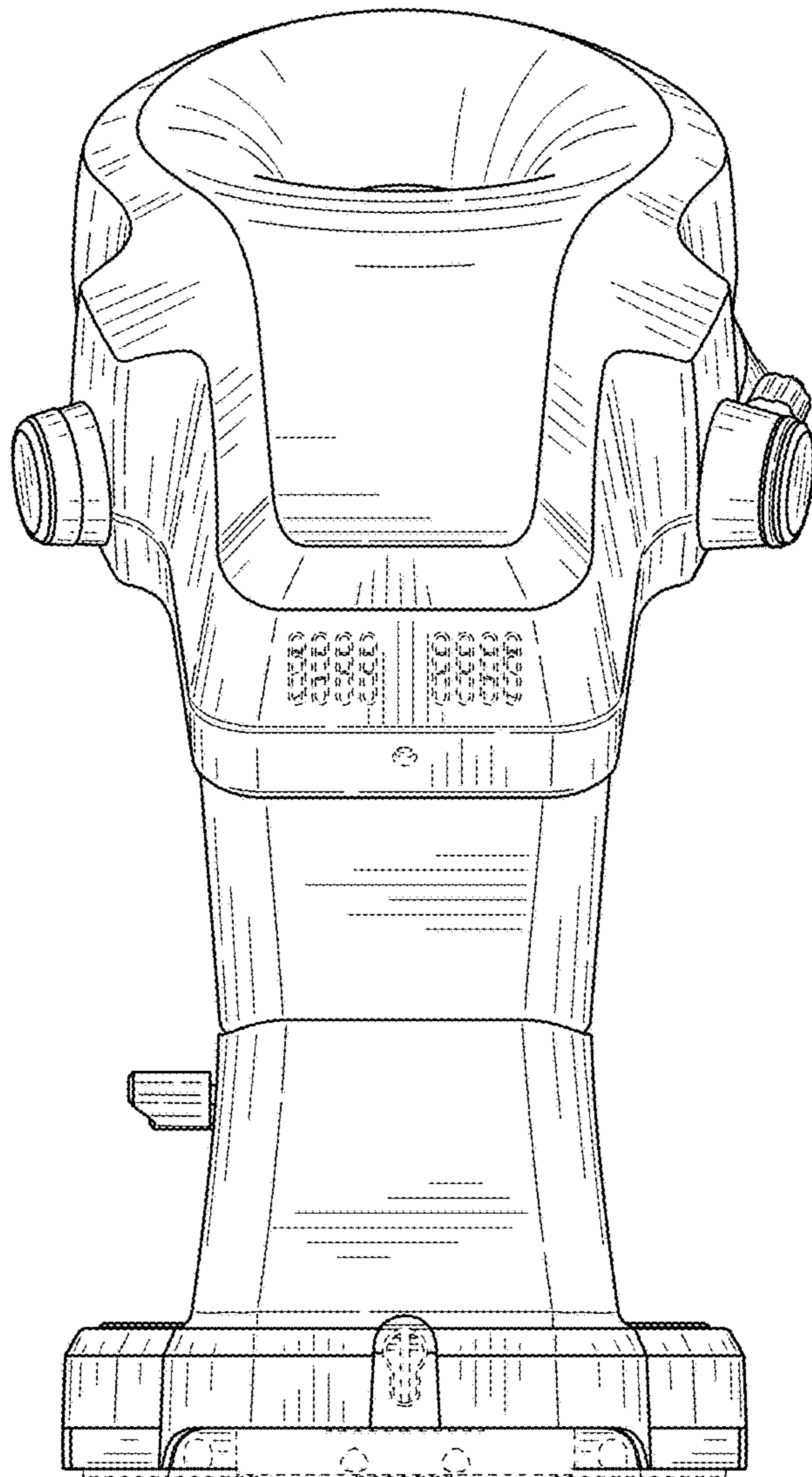


FIG. 14

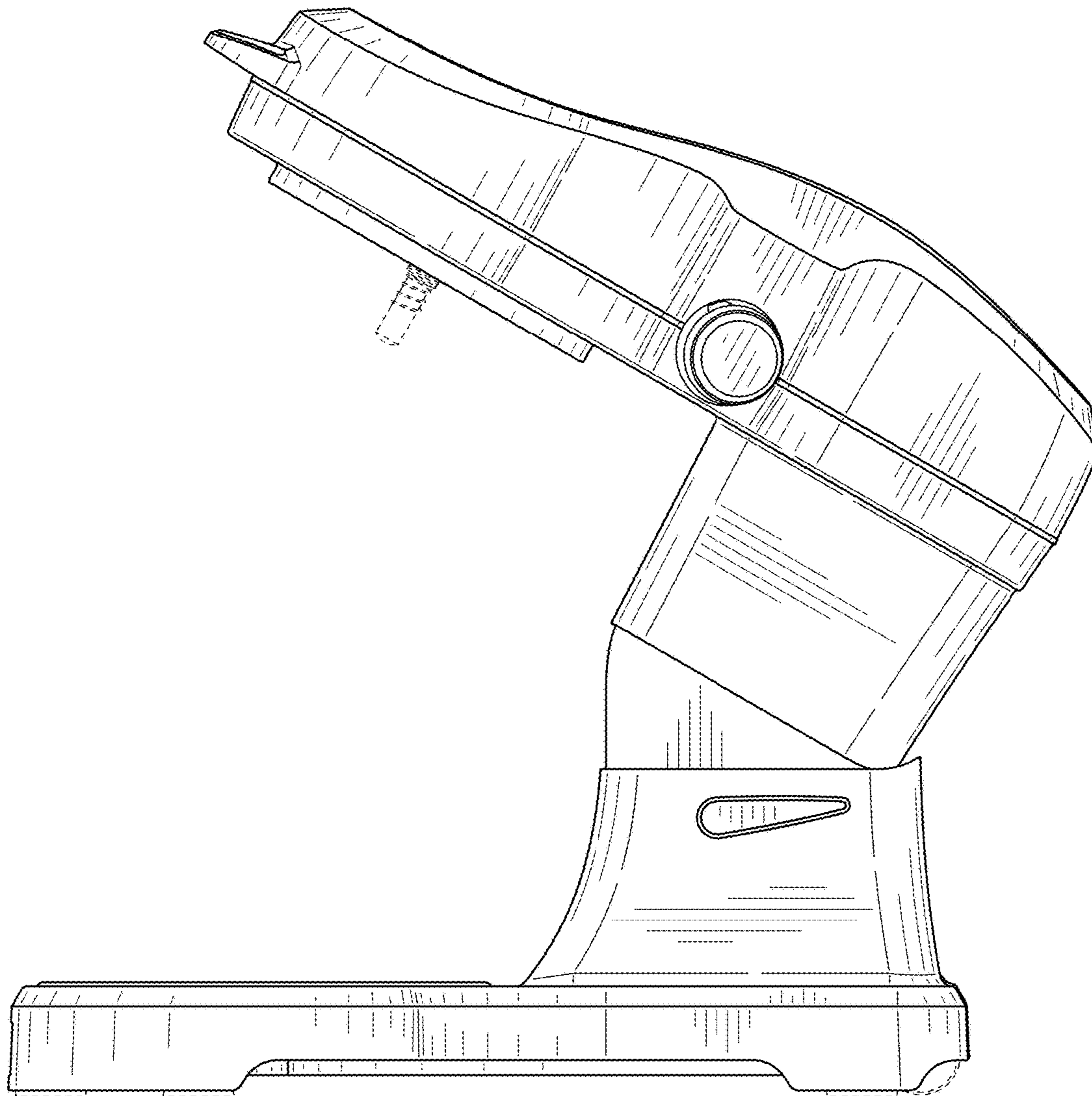


FIG. 15

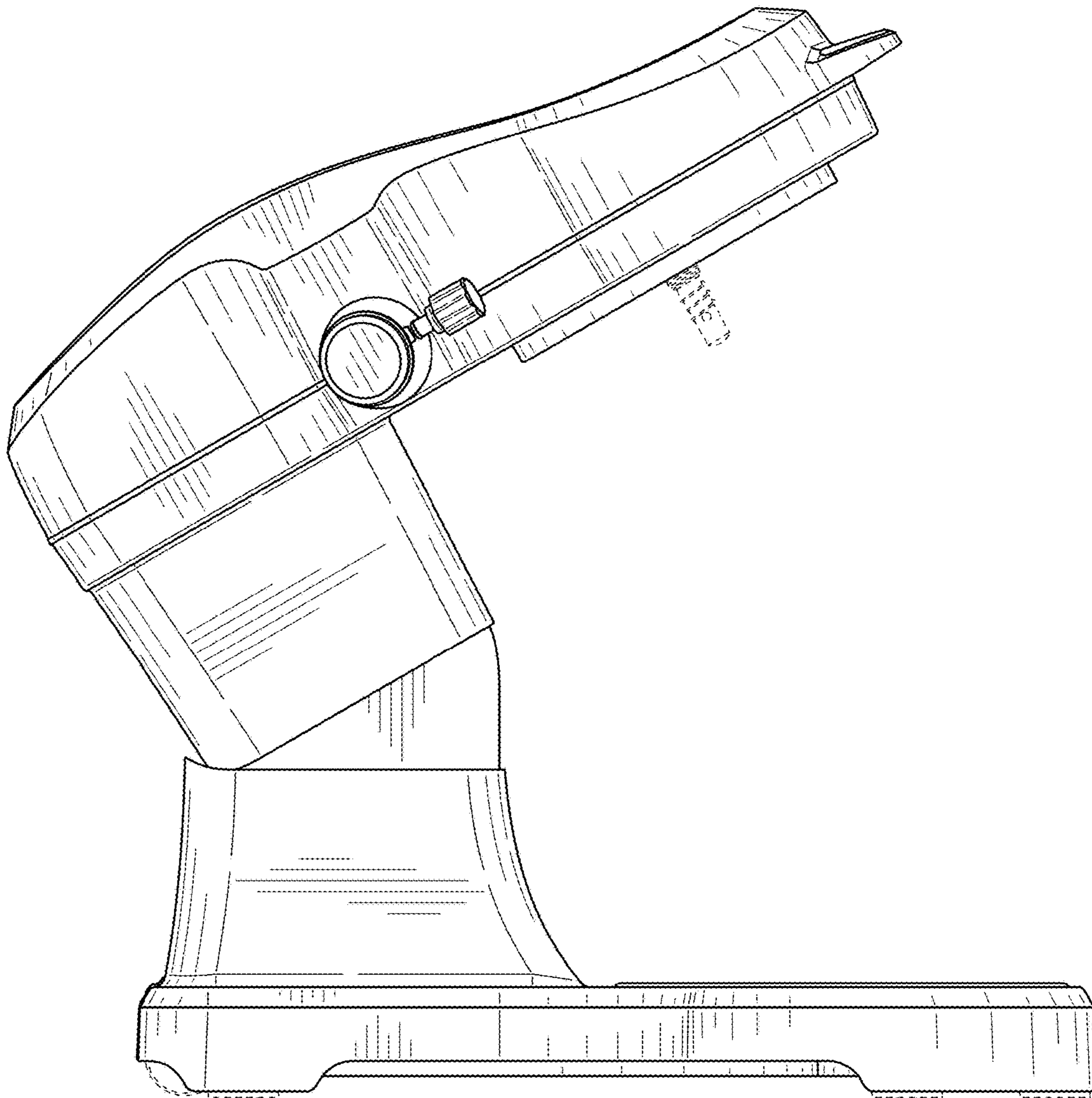


FIG. 16

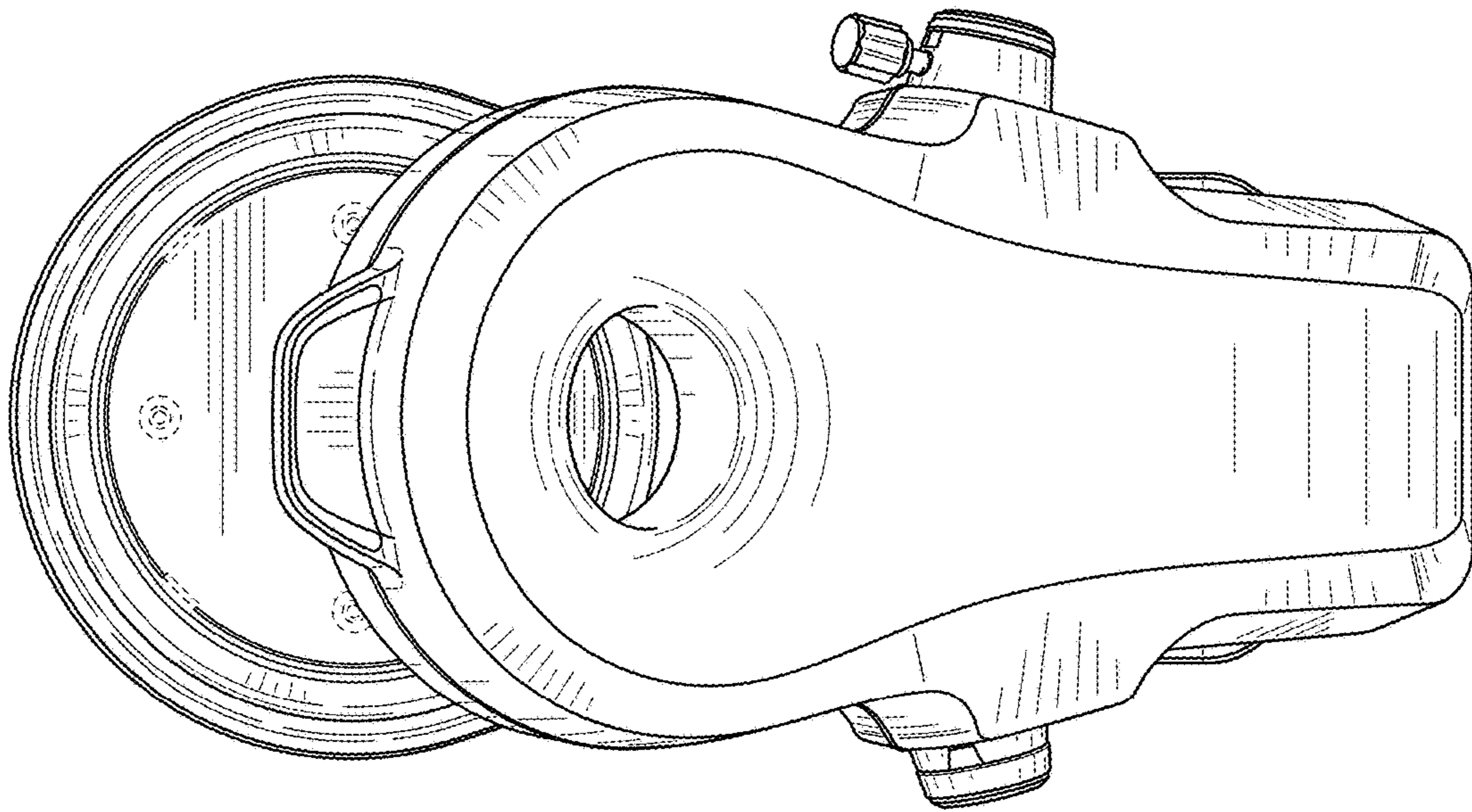


FIG. 17

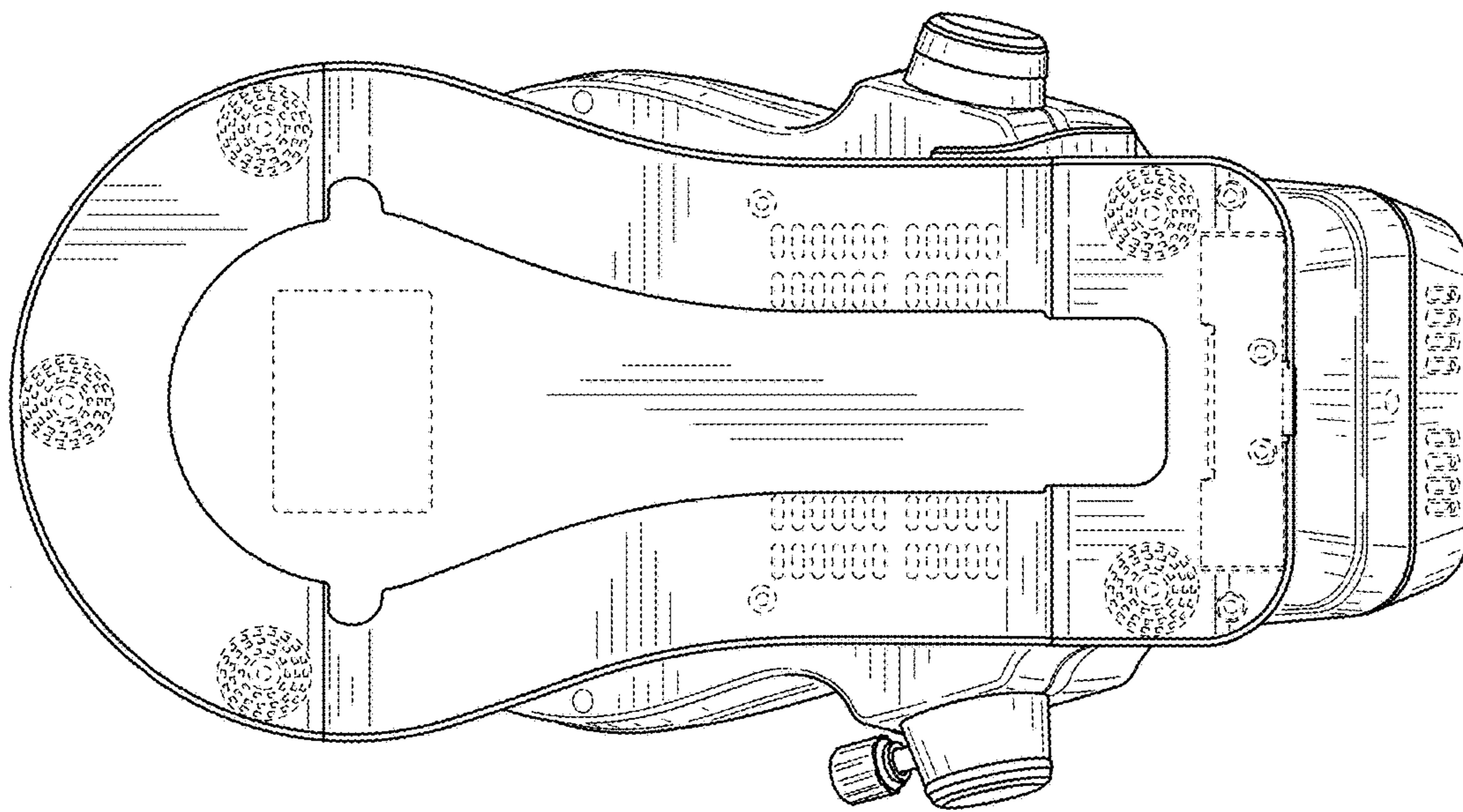


FIG. 18

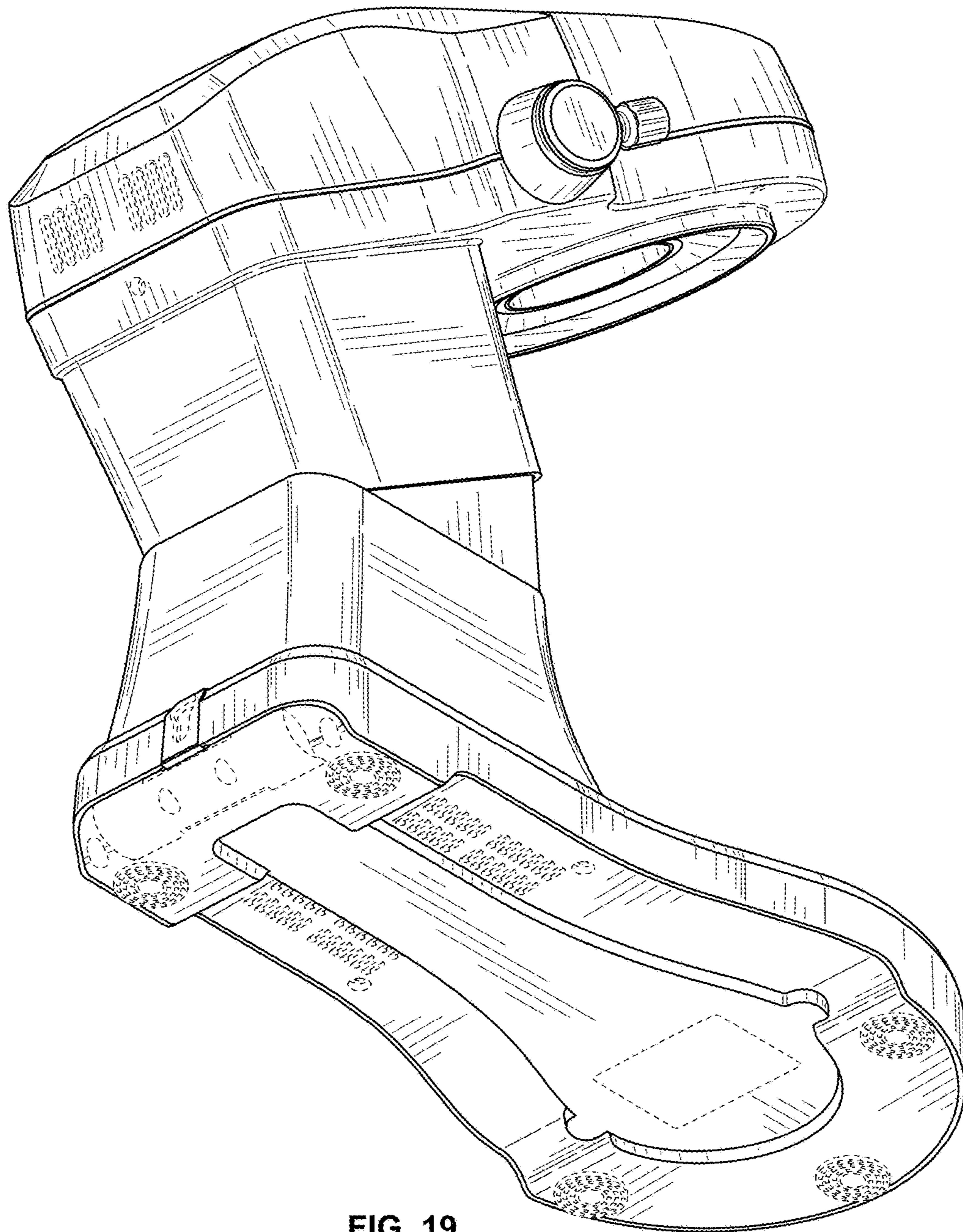


FIG. 19

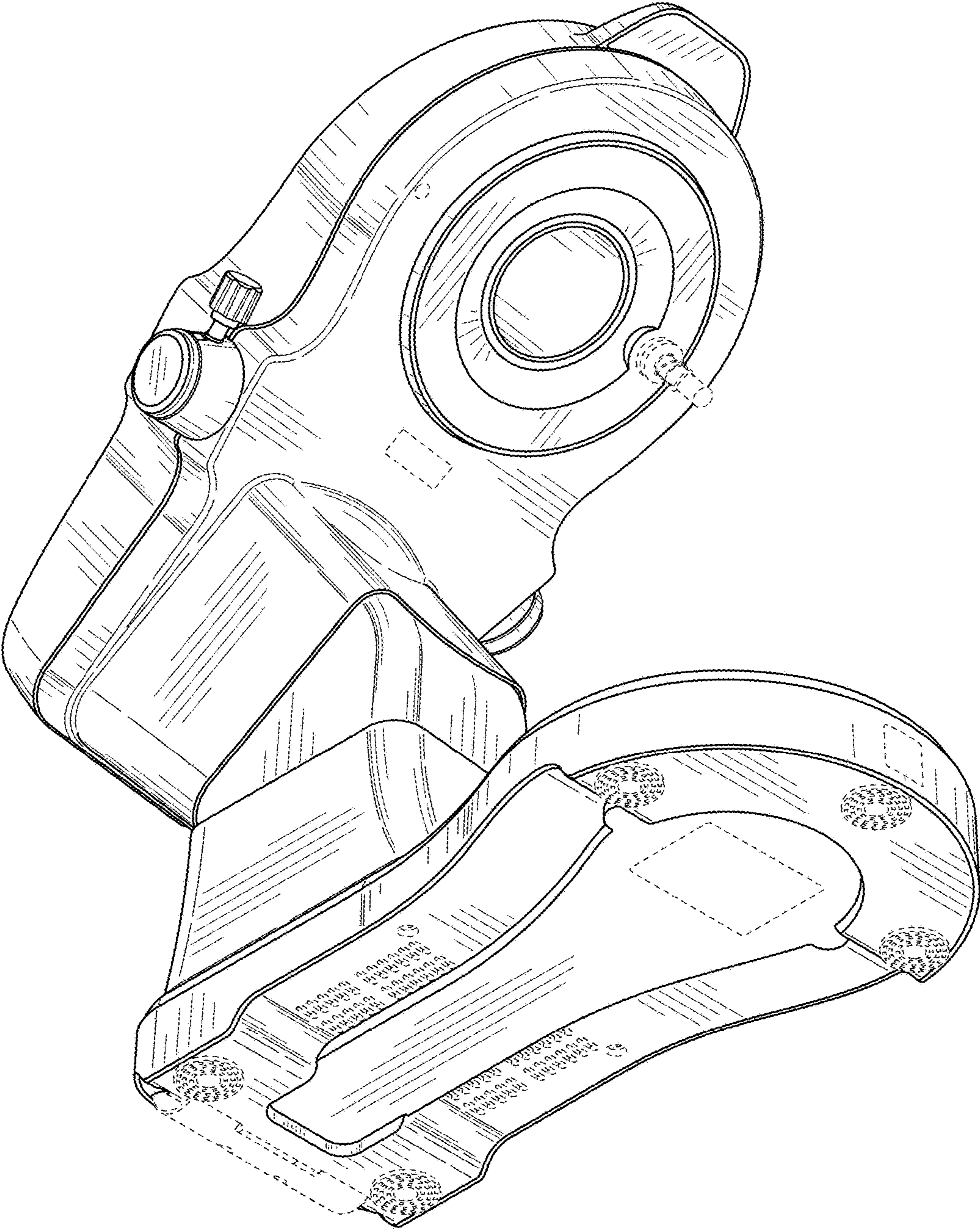


FIG. 20