



US00D851441S

(12) **United States Design Patent**  
**Burden**

(10) **Patent No.:** **US D851,441 S**

(45) **Date of Patent:** **\*\* Jun. 18, 2019**

- (54) **CHAIR**
- (71) Applicant: **Ian James Burden**, Sovereign Islands (AU)
- (72) Inventor: **Ian James Burden**, Sovereign Islands (AU)
- (\*\*) Term: **15 Years**
- (21) Appl. No.: **29/587,264**
- (22) Filed: **Dec. 12, 2016**
- (51) **LOC (11) Cl.** ..... **06-01**
- (52) **U.S. Cl.**  
USPC ..... **D7/370**
- (58) **Field of Classification Search**  
USPC ..... D6/334-336, 368, 370, 371-373, 379, D6/380, 716, 716.1, 716.2, 716.3, 716.4  
CPC .... A47C 3/04; A47C 4/02; A47C 4/03; A47C 4/08; A47C 4/10; A47C 4/021; A47C 4/028; A47C 7/16  
See application file for complete search history.

2,128,912 A *	9/1938	Buffington	.....	A47C 4/10
				297/60
2,136,838 A *	11/1938	Boschieter	.....	A47C 4/10
				297/39
2,247,799 A *	7/1941	Boardman	.....	A47C 4/10
				297/47
2,538,637 A *	1/1951	Wilkinson, Jr.	.....	A47C 4/10
				297/59
3,527,498 A *	9/1970	Werner	.....	A47C 7/16
				297/451.11
D287,672 S *	1/1987	Holl	.....	D6/370
D353,719 S *	12/1994	Ward	.....	D6/370
D465,666 S *	11/2002	Hokanson	.....	D6/374
D779,848 S *	2/2017	Burden	.....	D6/370

\* cited by examiner

*Primary Examiner* — Mimosa De

(74) *Attorney, Agent, or Firm* — Dykema Gossett PLLC

(57) **CLAIM**

The ornamental design of a chair, as shown and described.

**DESCRIPTION**

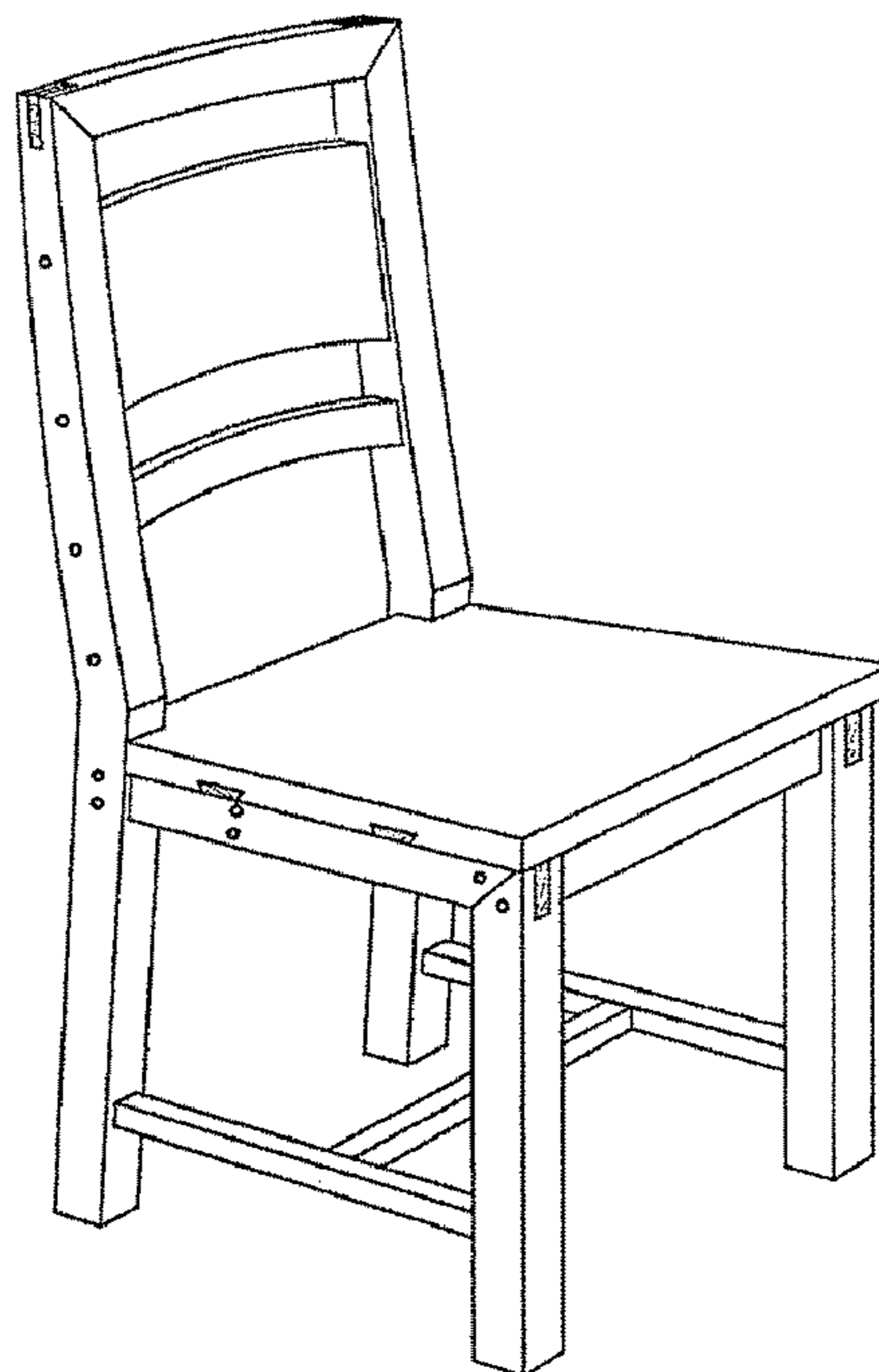
FIG. 1 is an elevational front view of a chair showing my new and ornamental design,  
 FIG. 2 is an elevational rear view thereof,  
 FIG. 3 is an elevational right side view thereof,  
 FIG. 4 is an elevational left side view thereof,  
 FIG. 5 is a top plan view thereof,  
 FIG. 6 is a partial expanded view of the bottom plan view,  
 FIG. 7 is a perspective right front view thereof; and,  
 FIG. 8 is a perspective left front view thereof.  
 The features shown in broken lines in the figures form no part of the claimed design.

**1 Claim, 8 Drawing Sheets**

(56) **References Cited**

**U.S. PATENT DOCUMENTS**

407,714 A *	7/1889	Albert	.....	A47C 4/10
				297/60
441,466 A *	11/1890	Bowen	.....	A47C 4/10
				297/47
1,162,598 A *	11/1915	Gallup	.....	A47C 4/10
				297/39
1,776,534 A *	9/1930	Allen	.....	A47C 4/02
				297/446.1



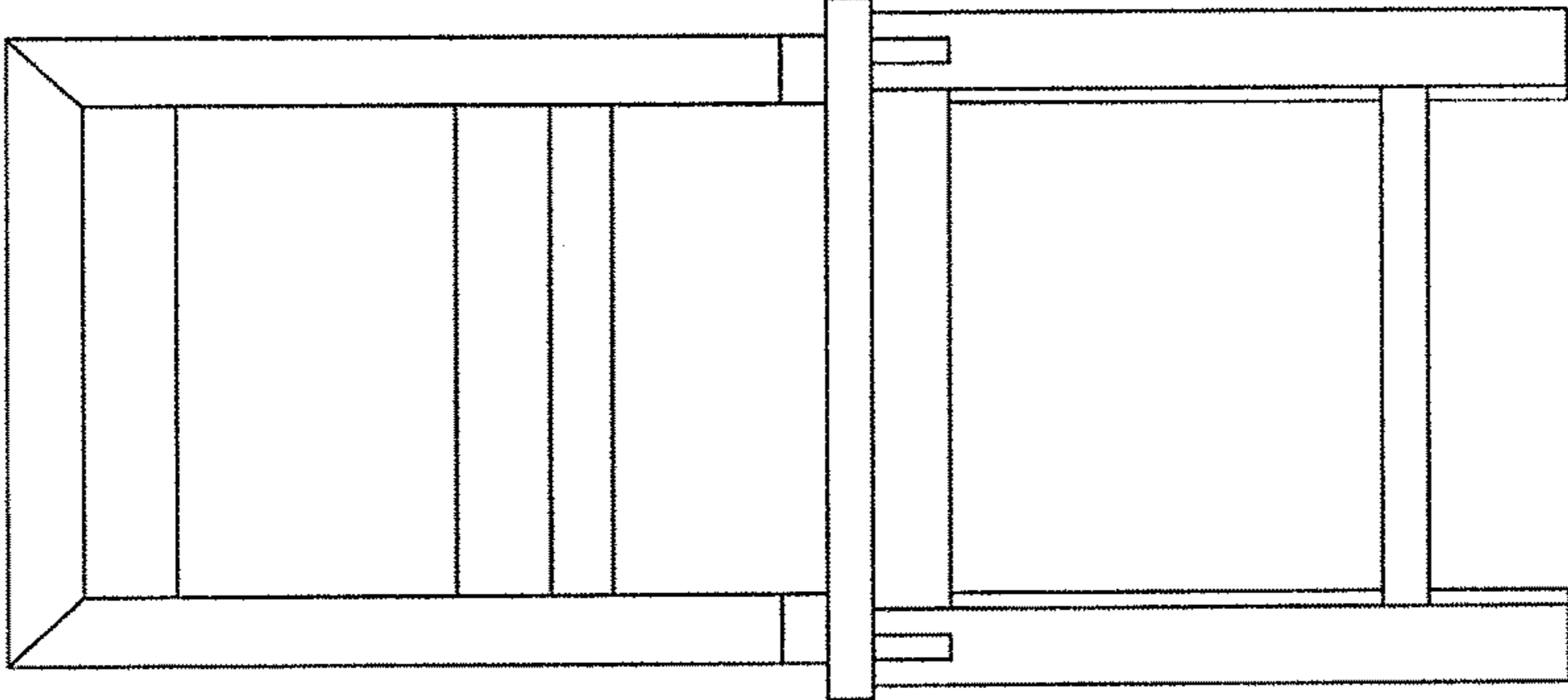


FIG. 1

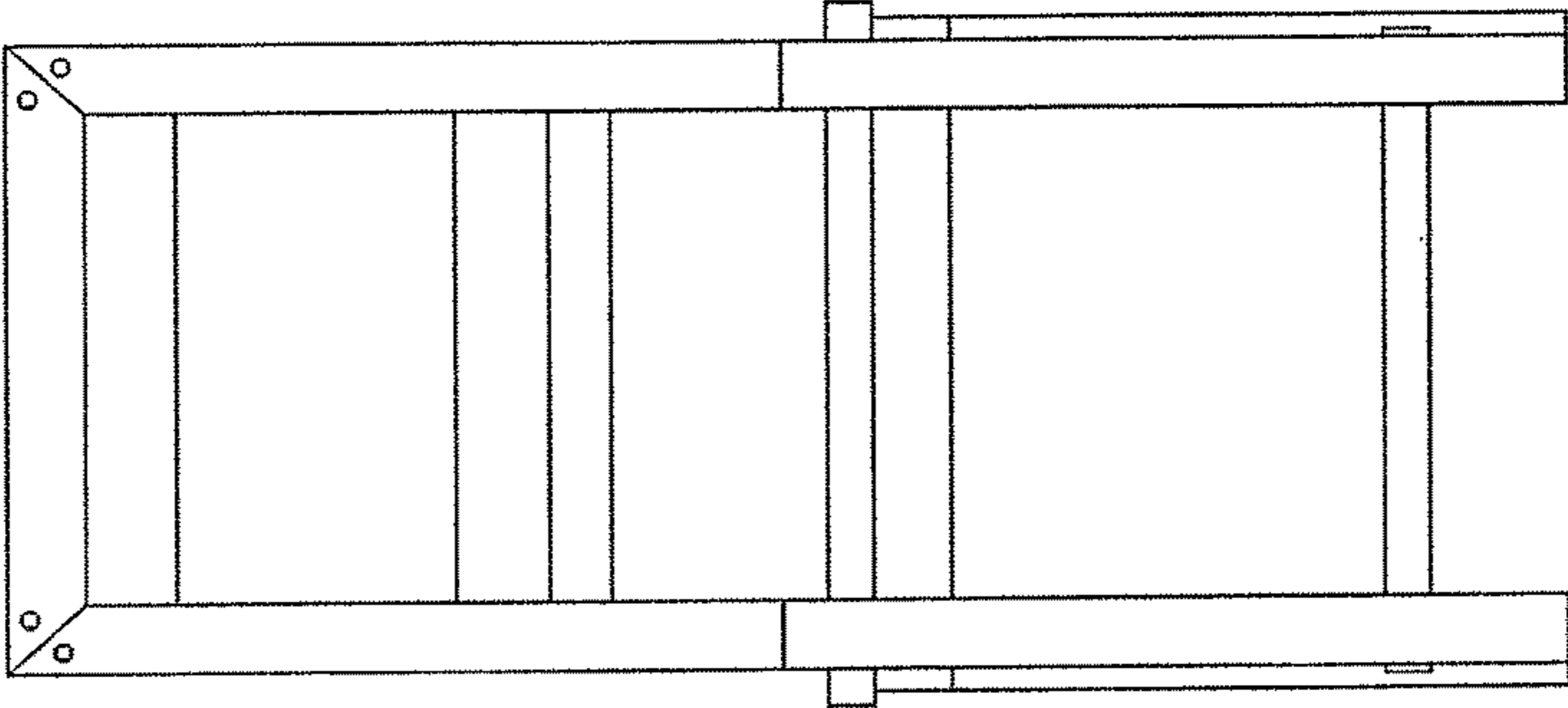


FIG. 2

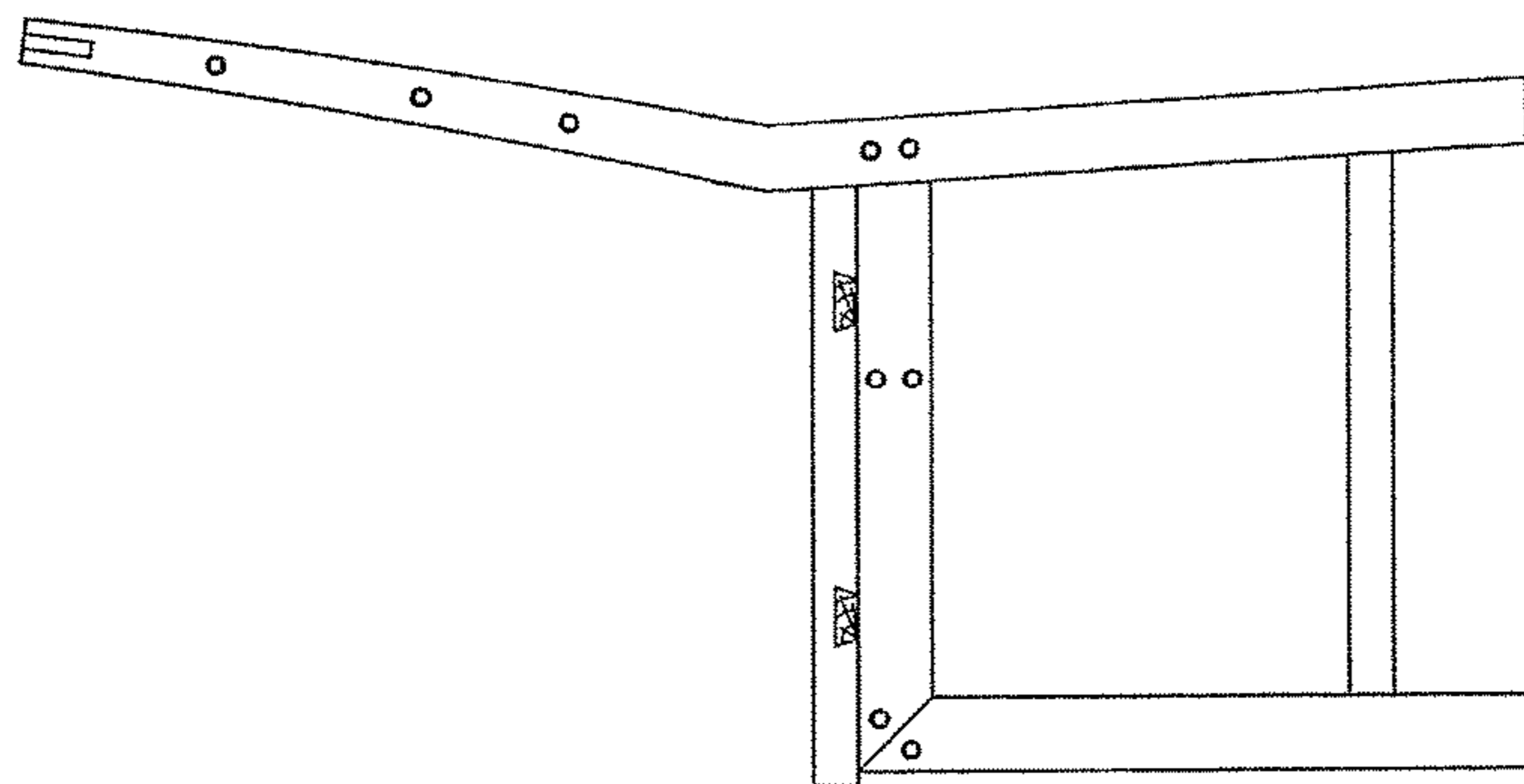


FIG. 3

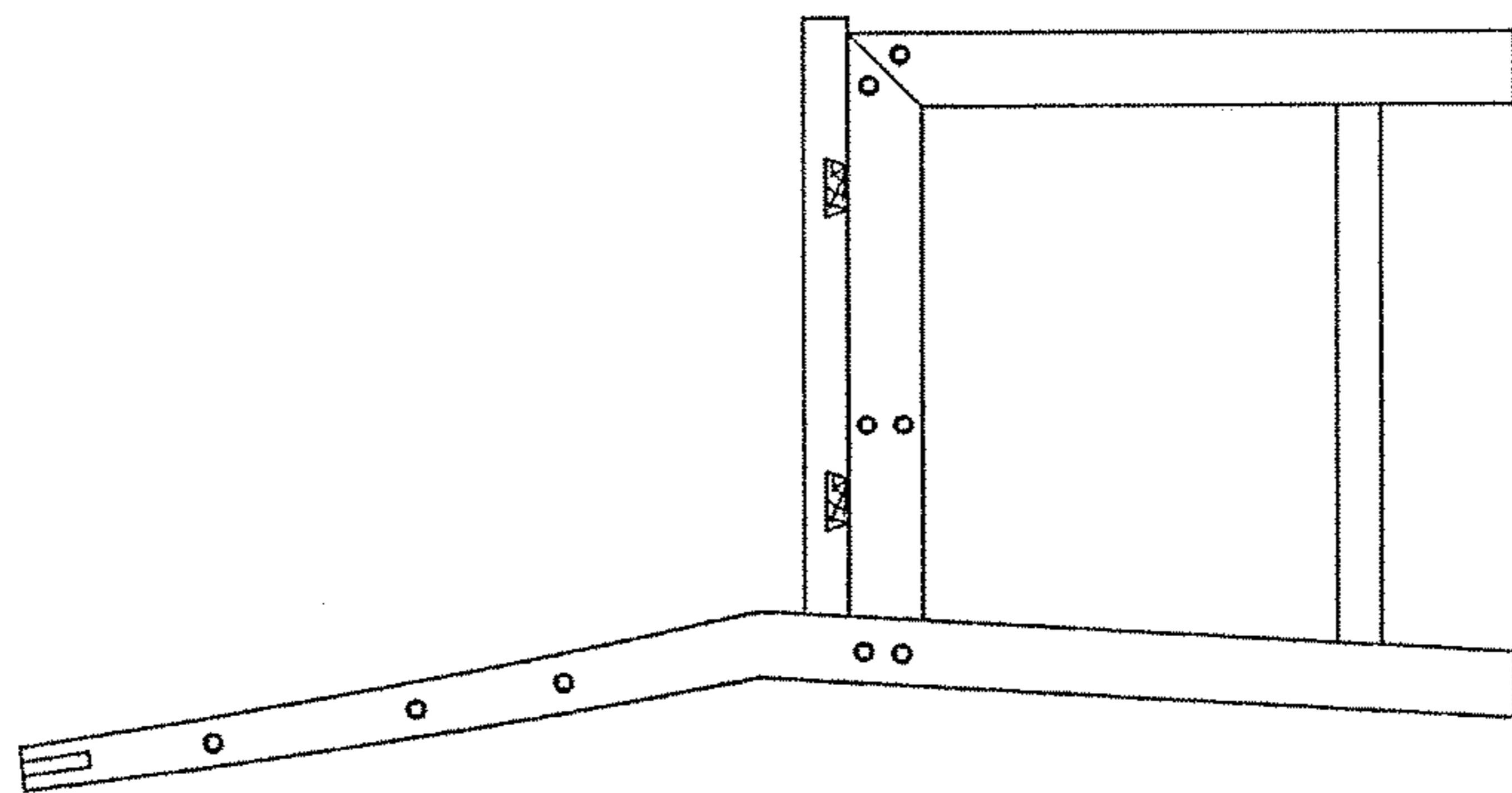


FIG. 4

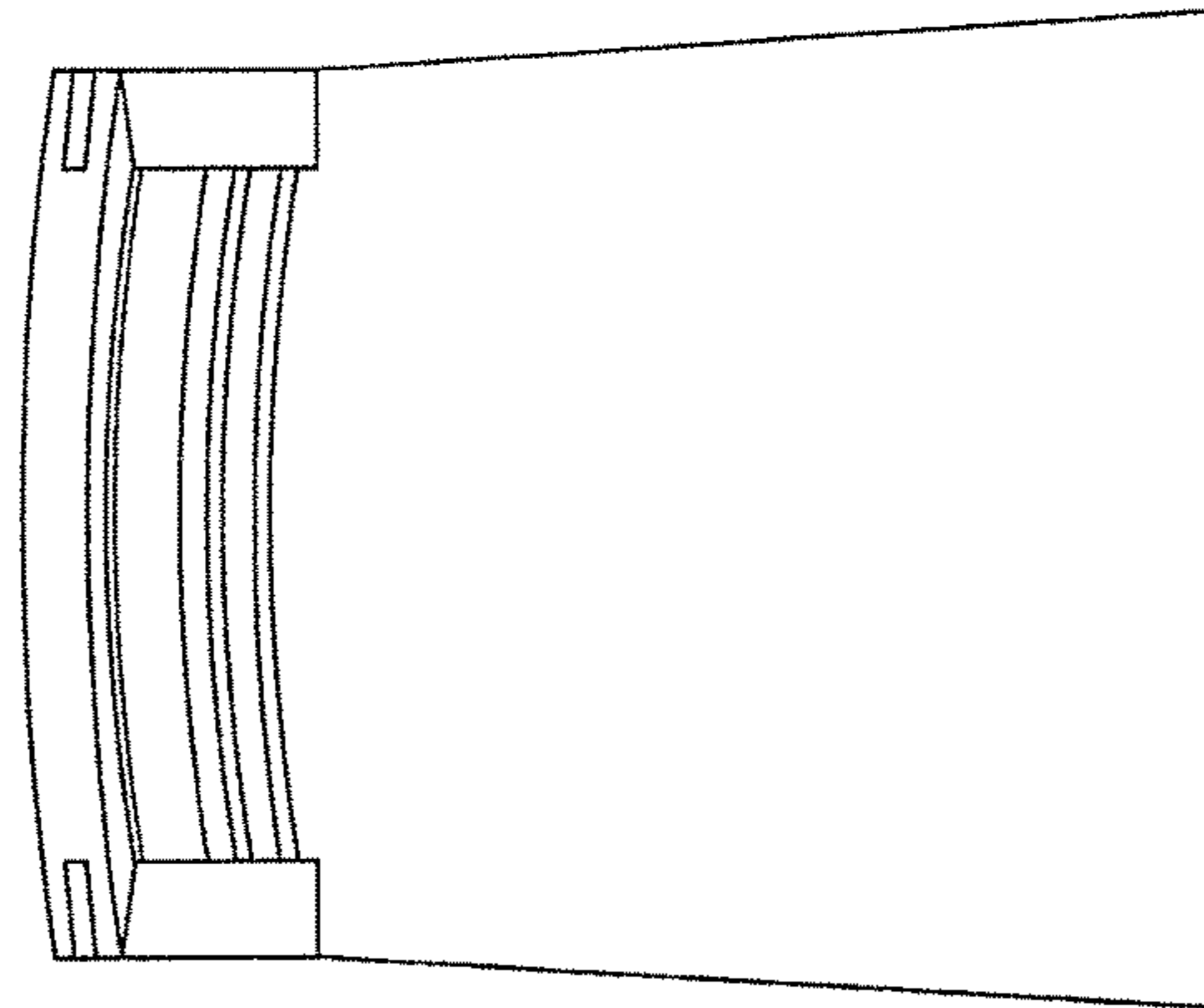


FIG. 5

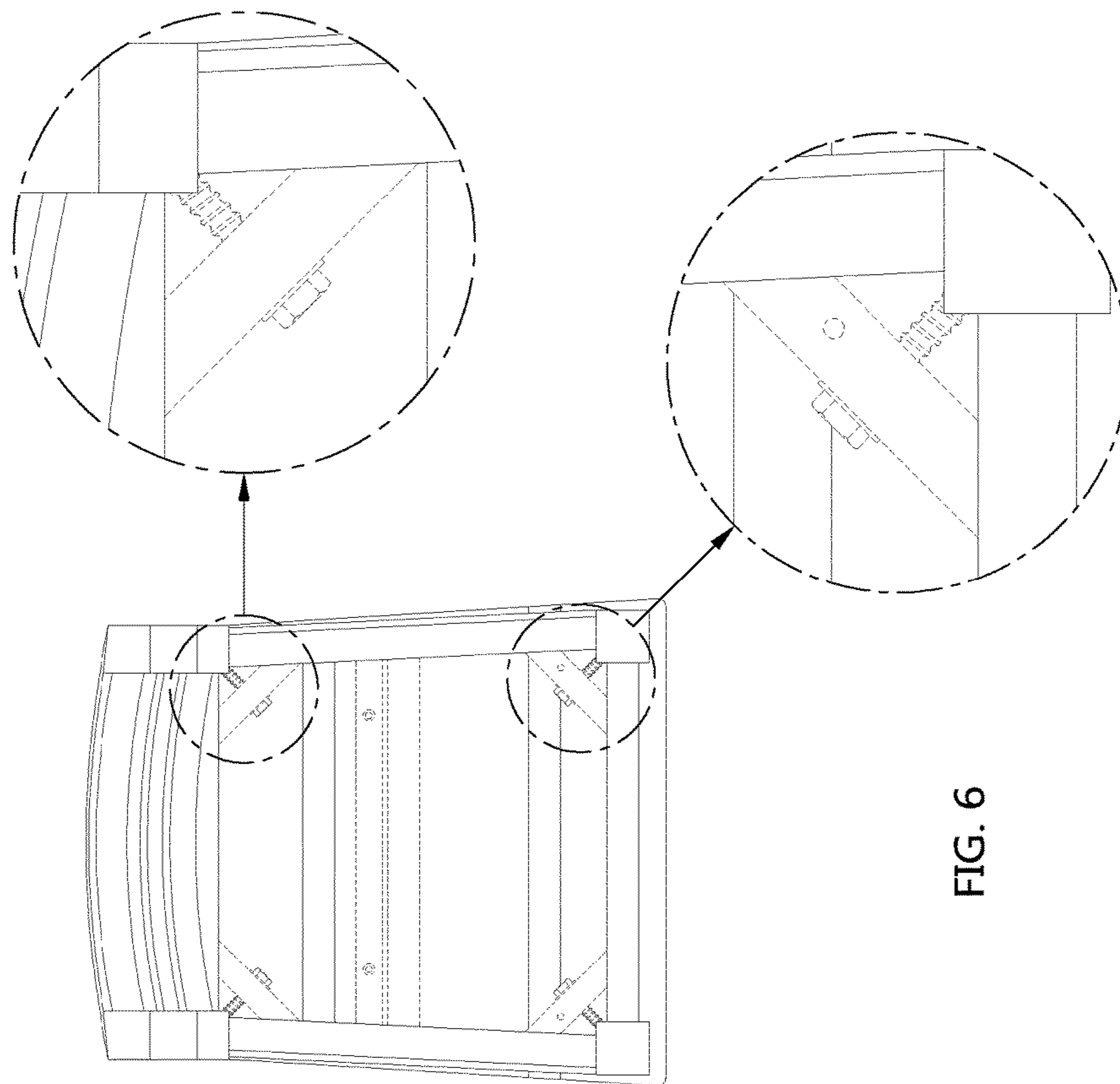


FIG. 6

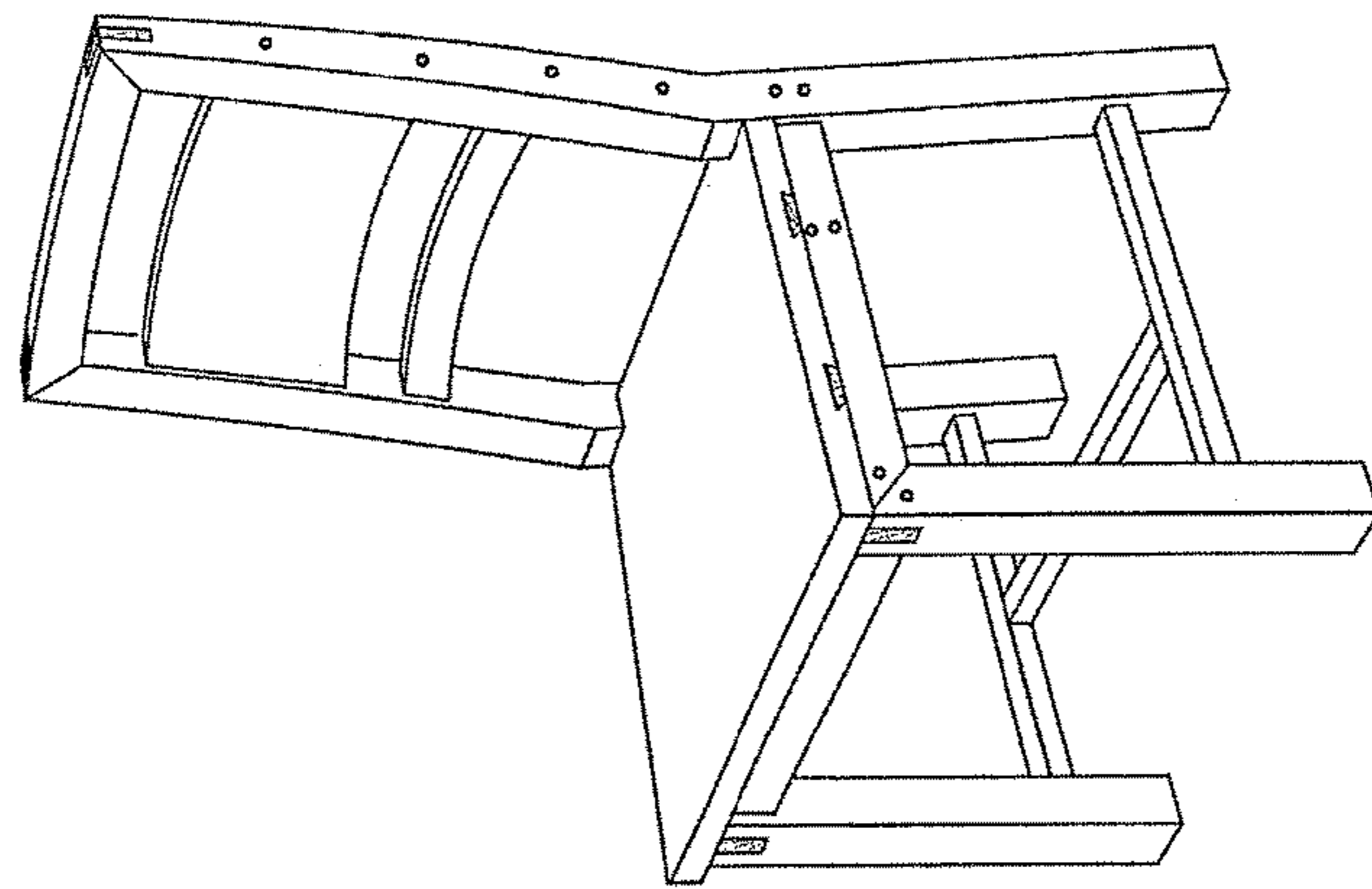


FIG. 7



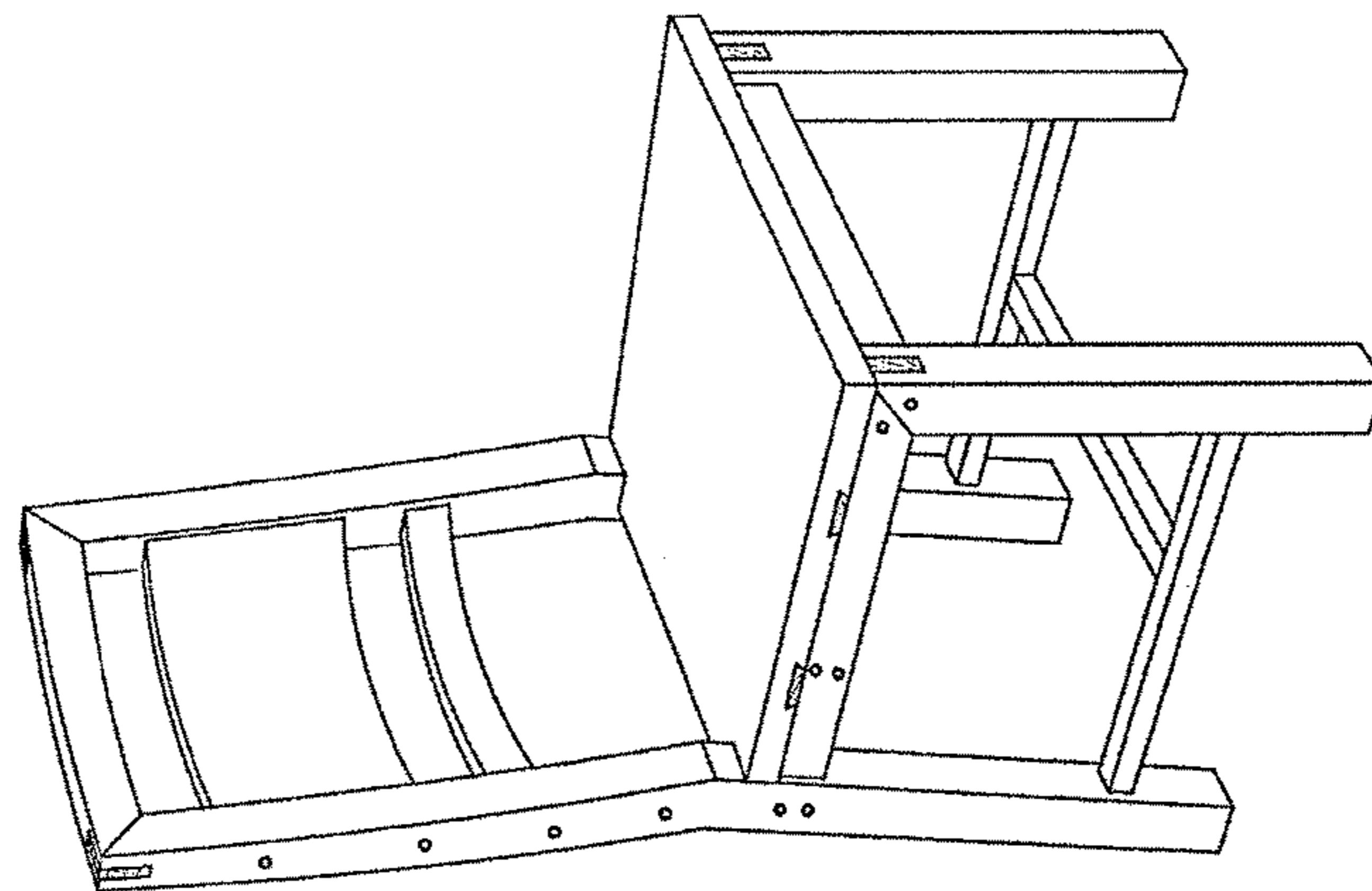


FIG. 8