



US00D851440S

(12) **United States Design Patent** (10) **Patent No.:** **US D851,440 S**  
**Berge et al.** (45) **Date of Patent:** **\*\* Jun. 18, 2019**

(54) **GRIDDLE GRILL**

(71) Applicant: **National Presto Industries, Inc.**, Eau Claire, WI (US)

(72) Inventors: **Michael R. Berge**, Eau Claire, WI (US); **Justun C. Seymour**, Eau Claire, WI (US)

(\*\*) Term: **15 Years**

(21) Appl. No.: **29/639,755**

(22) Filed: **Mar. 8, 2018**

(51) **LOC (11) Cl.** ..... **07-02**

(52) **U.S. Cl.**  
USPC ..... **D7/362; D7/409**

(58) **Field of Classification Search**  
USPC ..... D3/203.1; D7/323, 328-330, 337, 347, D7/352-364, 367, 402, 409-411  
CPC . A21B 5/023; A47J 27/60; A47J 27/62; A47J 37/04; A47J 37/06; A47J 37/067; A47J 37/0605; A47J 37/0611; A47J 37/0623; A47J 37/0629; A47J 37/0676; A47J 37/0682; A47J 37/10; A47J 37/0786; A47J 2037/06; A47J 2037/0611; F24C 15/10; F24C 15/102; H05B 6/02; H05B 6/062

See application file for complete search history.

(56) **References Cited**

**U.S. PATENT DOCUMENTS**

344,193 A \* 6/1886 Mitchell ..... A47J 37/10 99/422

345,530 A 7/1886 Paris

2,274,285 A 2/1942 Walker

D139,751 S 12/1944 Springwell

2,547,982 A 4/1951 Sivley

D184,764 S \* 3/1959 Painter ..... D7/363

D187,835 S \* 5/1960 Lee ..... D7/356

D229,448 S \* 11/1973 Traclet ..... D7/337

D235,610 S \* 7/1975 Giguere ..... D7/352

D281,215 S 11/1985 Lastuck

D285,523 S 9/1986 Ayukawa et al.

D286,494 S 11/1986 Lastuck

D296,509 S 7/1988 Fuke

D335,240 S 5/1993 Critchfield et al.

D366,390 S 1/1996 Vitantonio

D375,868 S 11/1996 Larson

5,740,723 A \* 4/1998 Lin ..... A47J 37/0682 126/39 K

D409,041 S 5/1999 Barker

D412,808 S 8/1999 Hinton et al.

6,016,741 A 1/2000 Tsai et al.

6,064,042 A 5/2000 Glucksman et al.

D431,152 S 9/2000 Lee

D436,796 S 1/2001 Kalina et al.

6,186,055 B1 2/2001 DeMars et al.

D441,250 S 5/2001 Choi

6,472,644 B1 10/2002 Wu

D484,737 S 1/2004 Bodum

D500,629 S \* 1/2005 Huggler ..... A47J 37/0786 D7/352

D505,044 S 5/2005 Hei

D533,016 S 12/2006 Genslak et al.

D564,826 S 3/2008 Chin

D575,098 S 8/2008 Seymour

7,523,697 B2 4/2009 Hedrington

D618,047 S 6/2010 Seymour

D644,867 S 9/2011 Janvier

D658,429 S 5/2012 Berge

D674,656 S 1/2013 Berge et al.

D696,549 S \* 12/2013 Pennington ..... A47J 37/0682 D7/363

D697,757 S \* 1/2014 Xin ..... D7/409

9,192,178 B2 11/2015 Berge et al.

D801,624 S \* 11/2017 Zsolcsak ..... D3/203.1

D823,047 S \* 7/2018 Seymour ..... D7/363

D826,625 S \* 8/2018 Lee ..... A47J 37/10 D7/362

2006/0163242 A1 7/2006 Ciancimino et al.

2014/0360383 A1 \* 12/2014 Hamlin ..... A47J 37/0786 99/340

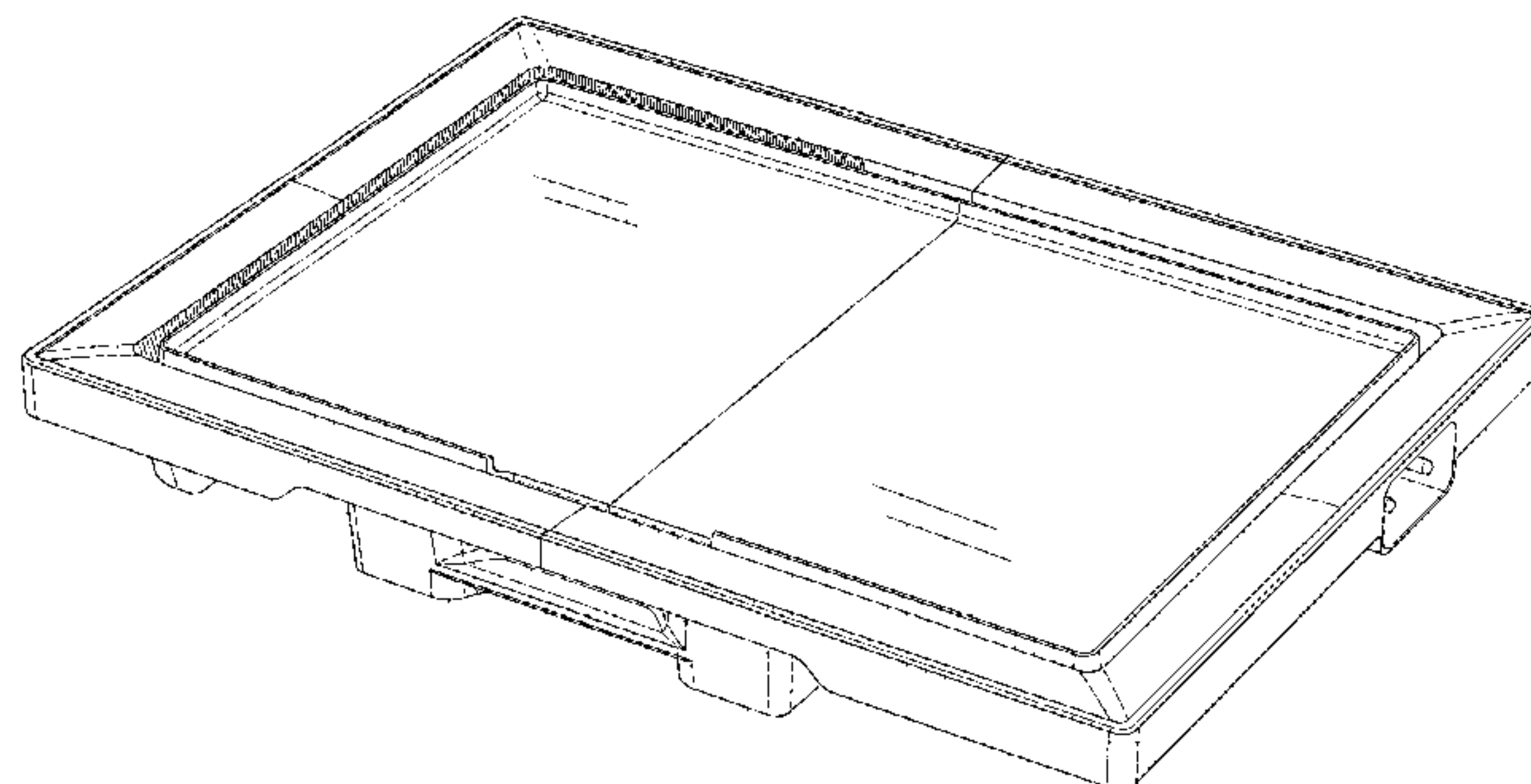
**OTHER PUBLICATIONS**

Presto® 20-inch Cool Touch Electric Griddle, webpage, <http://www.gopresto.com/products/products.php?stock=07030>, Nov. 7, 2011, 2 pages.

Presto® 22-inch Electric Griddle, webpage, <http://www.gopresto.com/products/products.php?stock=07039>, Nov. 7, 2011, 2 pages.

Presto® 22-inch Electric Griddle with Removable Handles, webpage, <http://www.gopresto.com/products/products.php?stock=07061>, Nov. 7, 2011, 2 pages.

Presto® Cool Touch Electric Griddle, webpage, <http://www.gopresto.com/products/products.php?stock=07047>, Nov. 7, 2011, 2 pages.



Presto® Cool Touch Electric Foldaway™ Griddle, webpage, <http://www.gopresto.com/products/products.php?stock=07050>, Nov. 7, 2011, 2 pages.

Presto® Cool Touch Electric Tilt'nDrain™ Griddle, webpage, <http://www.gopresto.com/products/products.php?stock=07045>, Nov. 7, 2011, 2 pages.

Presto® Liddle Griddle® mini griddle, webpage, <http://www.gopresto.com/products/products.php?stock=07211>, Nov. 7, 2011, 2 pages.

Presto® Tilt'nDrain™ BigGriddle cool touch electric griddle, webpage, <http://www.gopresto.com/products/products.php?stock=07046>, Nov. 7, 2011, 3 pages.

APW Wyatt 23780 7 Qt. Notched/Hinged Stainless Steel Inset Cover, webpage, <http://www.webstaurantstore.com/apw-wyott-23780-7-qt-notched-hinged-stainless-steel-inset-cover/13523780.html>, printed Feb. 2, 2012, 2 pages.

Oster 12-inch Skillet with Hinged Lid, webpage, <http://www.oster.com/ProductDetails.aspx?pid=1625>, printed Feb. 7, 2012, 1 page.

\* cited by examiner

*Primary Examiner* — Ricky Pham

(74) *Attorney, Agent, or Firm* — Patterson Thuente Pedersen, P.A.

(57) **CLAIM**

The ornamental design for a griddle grill, as shown and described.

**DESCRIPTION**

FIG. 1 is a top view of a griddle grill according to an embodiment of the invention.

FIG. 2 is a bottom view of the griddle grill depicted in FIG. 1.

FIG. 3 is a rear view of the griddle grill depicted in FIG. 1.

FIG. 4 is a front view of the griddle grill depicted in FIG. 1.

FIG. 5 is a left side view of the griddle grill depicted in FIG. 1.

FIG. 6 is a right side view of the griddle grill depicted in FIG. 1.

FIG. 7 is a top, front perspective view of the griddle grill depicted in FIG. 1.

FIG. 8 is a top view of a griddle grill according to another embodiment of the invention.

FIG. 9 is a bottom view of the griddle grill depicted in FIG. 8.

FIG. 10 is a rear view of the griddle grill depicted in FIG. 8.

FIG. 11 is a front view of the griddle grill depicted in FIG. 8.

FIG. 12 is a left side view of the griddle grill depicted in FIG. 8.

FIG. 13 is a right side view of the griddle grill depicted in FIG. 8.

FIG. 14 is a top, front perspective view of the griddle grill depicted in FIG. 8.

FIG. 15 is a top view of a griddle grill according to an embodiment of the invention.

FIG. 16 is a bottom view of the griddle grill depicted in FIG. 15.

FIG. 17 is a rear view of the griddle grill depicted in FIG. 15.

FIG. 18 is a front view of the griddle grill depicted in FIG. 15.

FIG. 19 is a left side view of the griddle grill depicted in FIG. 15.

FIG. 20 is a right side view of the griddle grill depicted in FIG. 15.

FIG. 21 is a top, front perspective view of the griddle grill depicted in FIG. 15.

FIG. 22 is a top view of a griddle grill according to another embodiment of the invention.

FIG. 23 is a bottom view of the griddle grill depicted in FIG. 22.

FIG. 24 is a rear view of the griddle grill depicted in FIG. 22.

FIG. 25 is a front view of the griddle grill depicted in FIG. 22.

FIG. 26 is a left side view of the griddle grill depicted in FIG. 22.

FIG. 27 is a right side view of the griddle grill depicted in FIG. 22.

FIG. 28 is a top, front perspective view of the griddle grill depicted in FIG. 22.

FIG. 29 is a top view of a griddle grill according to an embodiment of the invention.

FIG. 30 is a bottom view of the griddle grill depicted in FIG. 29.

FIG. 31 is a rear view of the griddle grill depicted in FIG. 29.

FIG. 32 is a front view of the griddle grill depicted in FIG. 29.

FIG. 33 is a left side view of the griddle grill depicted in FIG. 29.

FIG. 34 is a right side view of the griddle grill depicted in FIG. 29.

FIG. 35 is a top, front perspective view of the griddle grill depicted in FIG. 29.

FIG. 36 is a top view of a griddle grill according to another embodiment of the invention.

FIG. 37 is a bottom view of the griddle grill depicted in FIG. 36.

FIG. 38 is a rear view of the griddle grill depicted in FIG. 36.

FIG. 39 is a front view of the griddle grill depicted in FIG. 36.

FIG. 40 is a left side view of the griddle grill depicted in FIG. 36.

FIG. 41 is a right side view of the griddle grill depicted in FIG. 36.

FIG. 42 is a top, front perspective view of the griddle grill depicted in FIG. 36.

FIG. 43 is a top view of a griddle grill according to an embodiment of the invention.

FIG. 44 is a bottom view of the griddle grill depicted in FIG. 43.

FIG. 45 is a rear view of the griddle grill depicted in FIG. 43.

FIG. 46 is a front view of the griddle grill depicted in FIG. 43.

FIG. 47 is a left side view of the griddle grill depicted in FIG. 43.

FIG. 48 is a right side view of the griddle grill depicted in FIG. 43; and,

FIG. 49 is a top, front perspective view of the griddle grill depicted in FIG. 43.



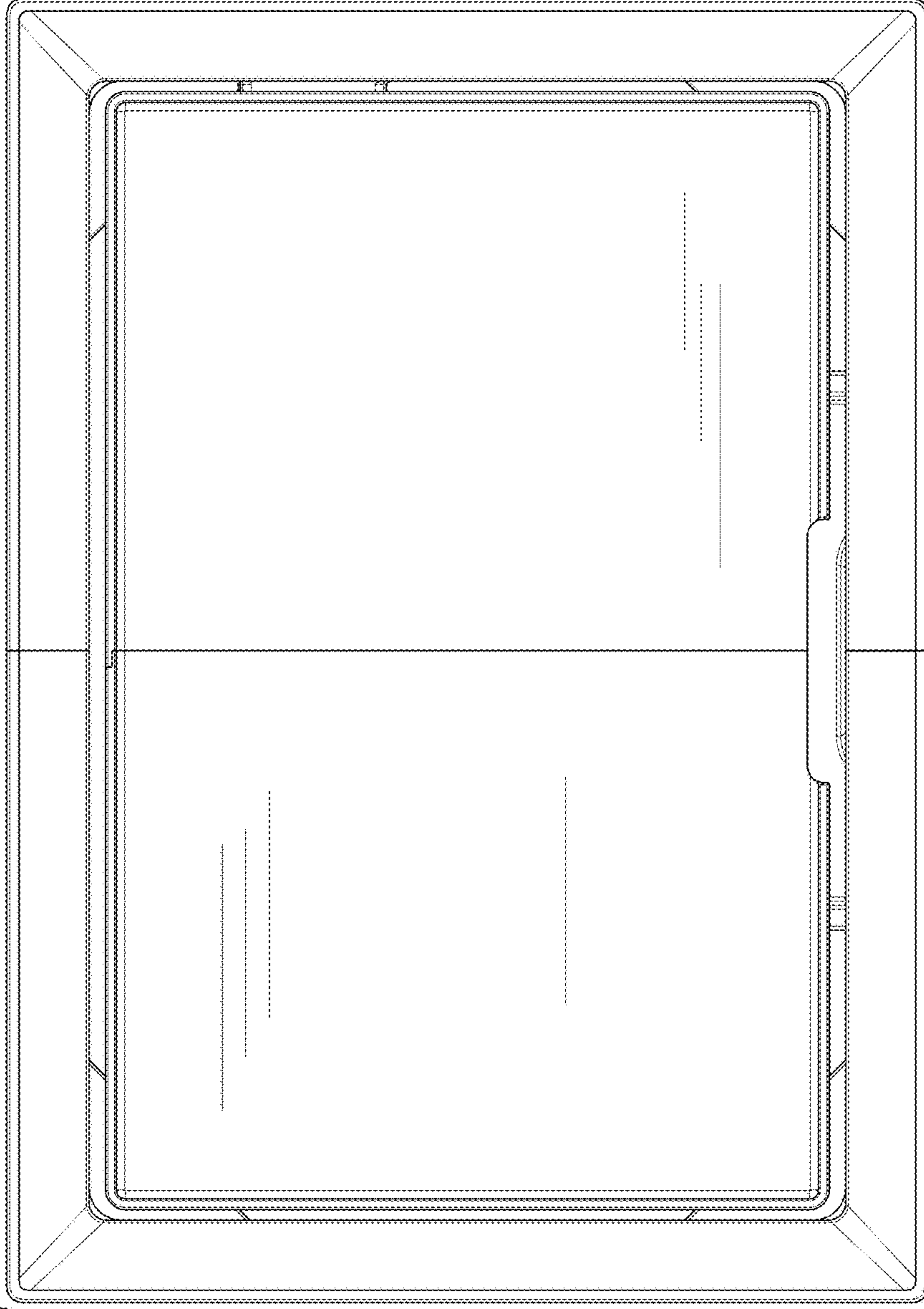


FIG. 1

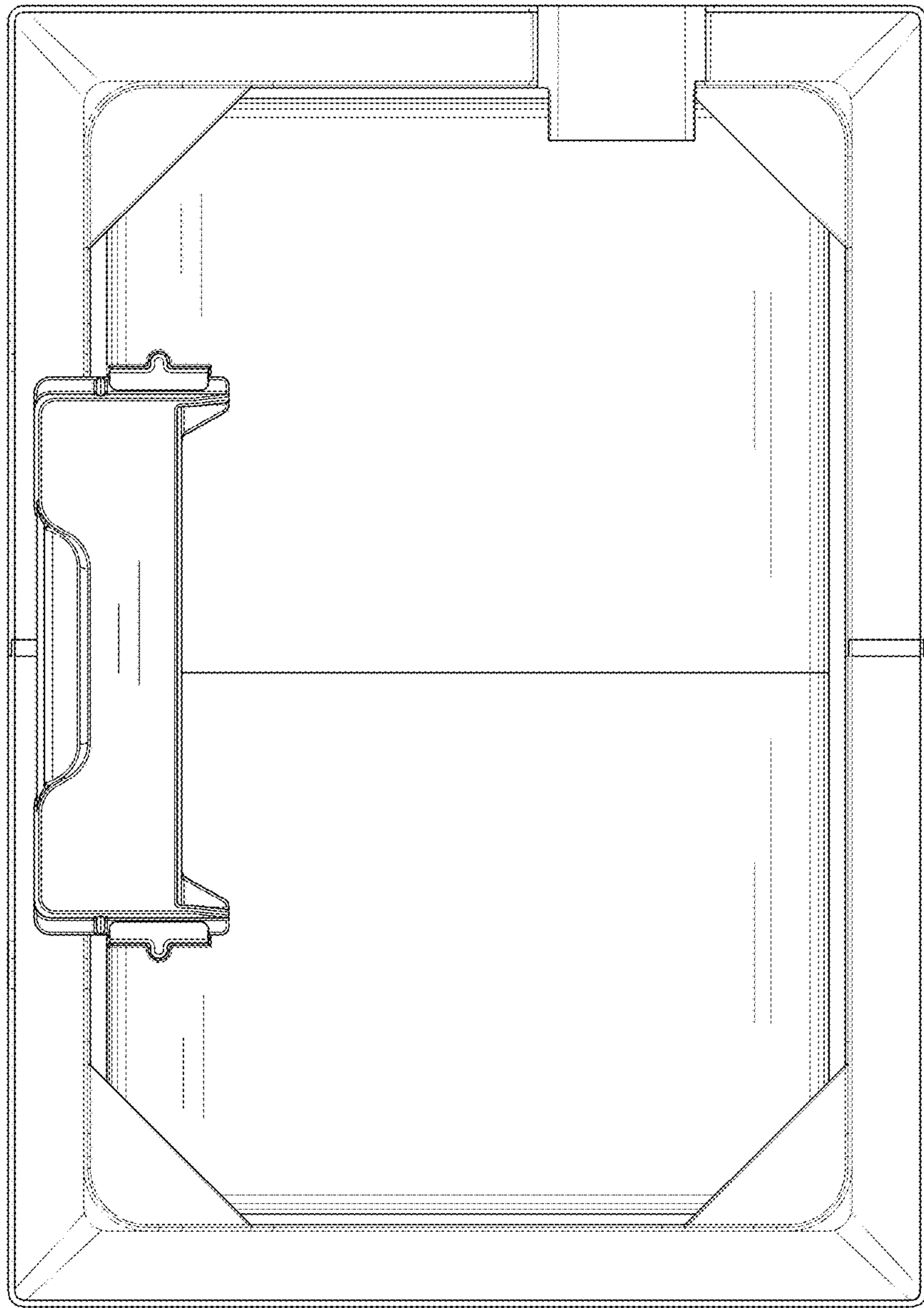


FIG. 2

FIG. 3

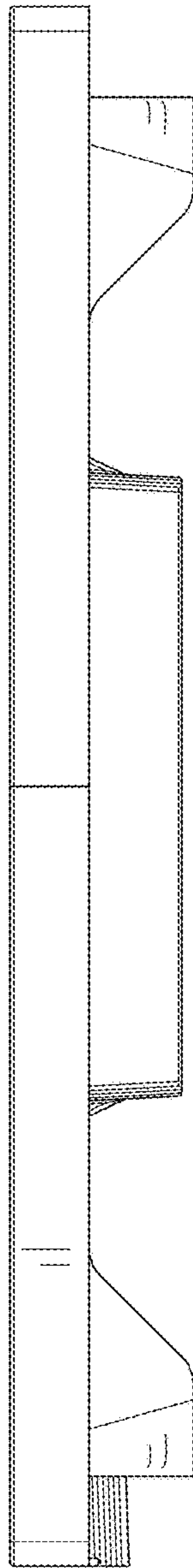


FIG. 4

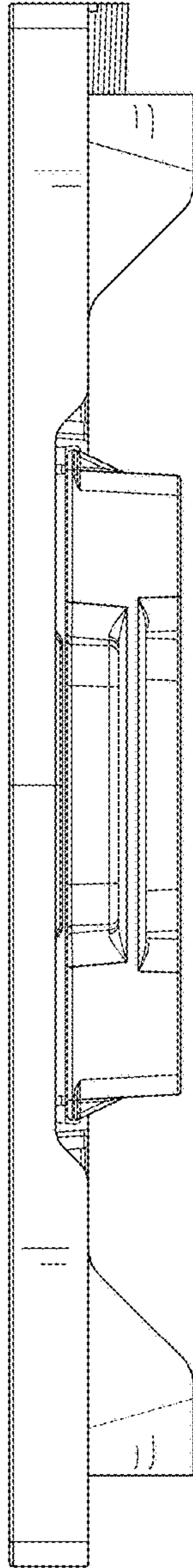


FIG. 5

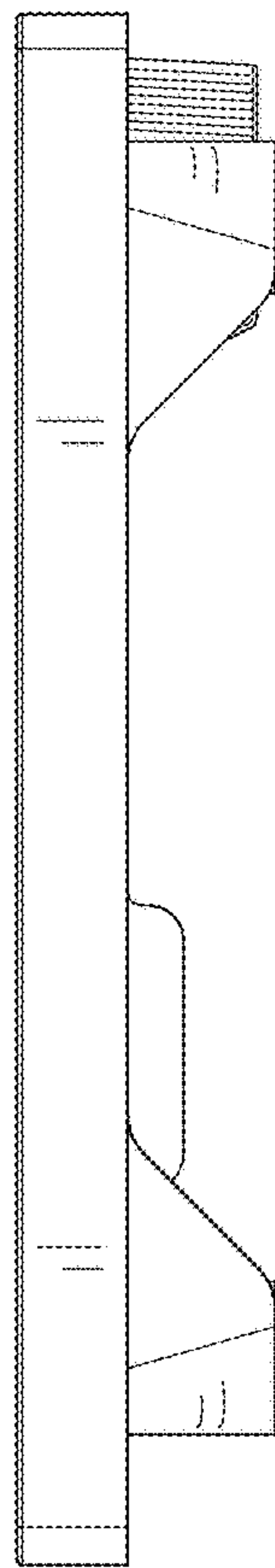


FIG. 6

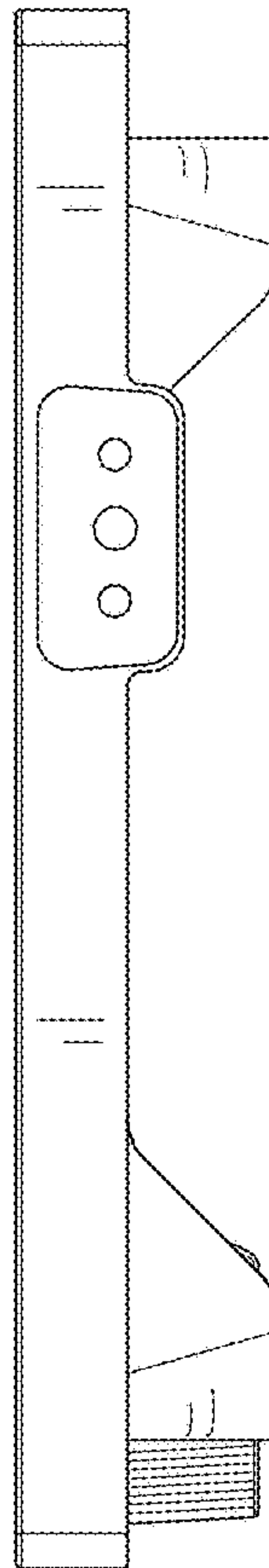
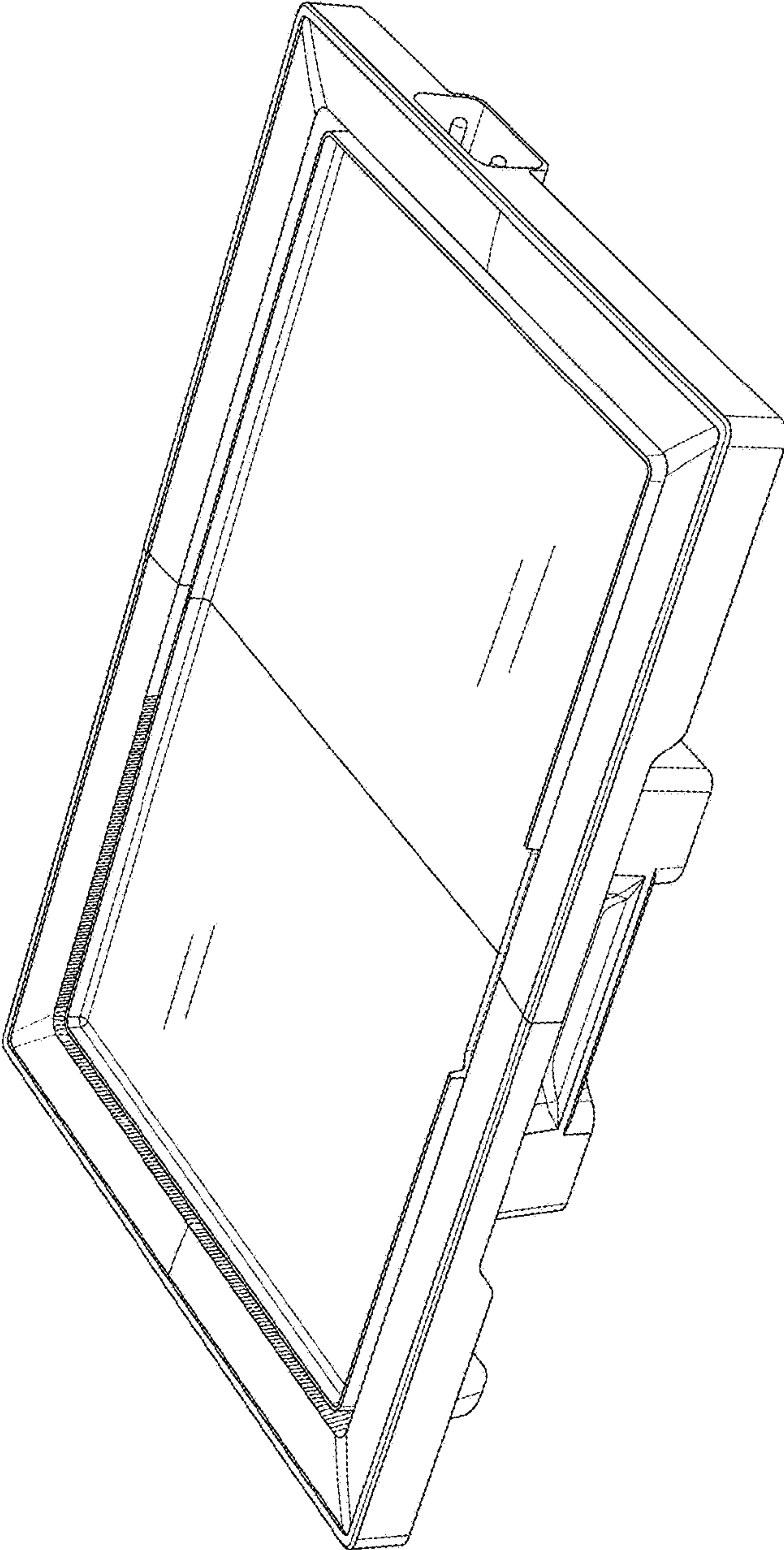




FIG. 7



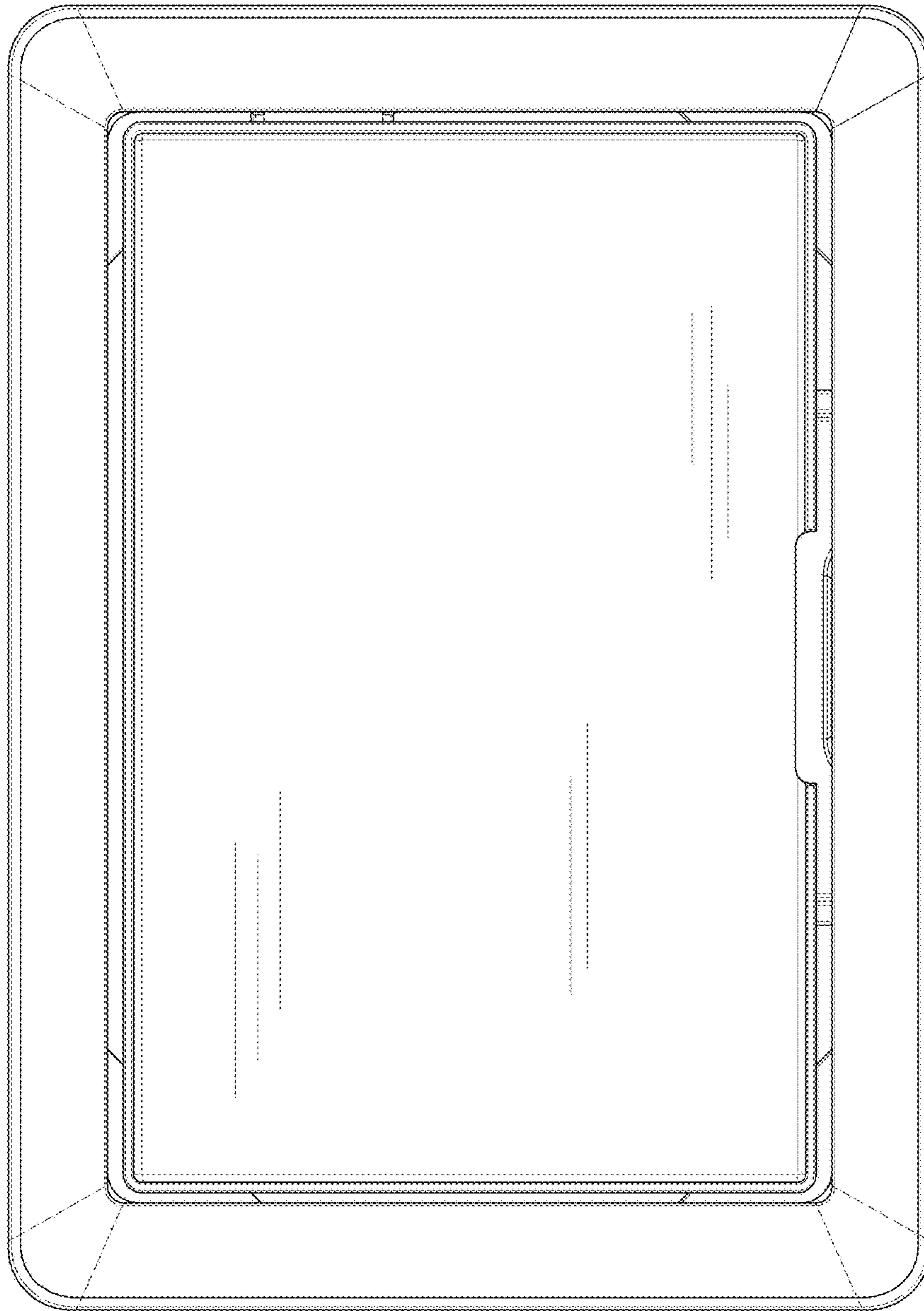


FIG. 8

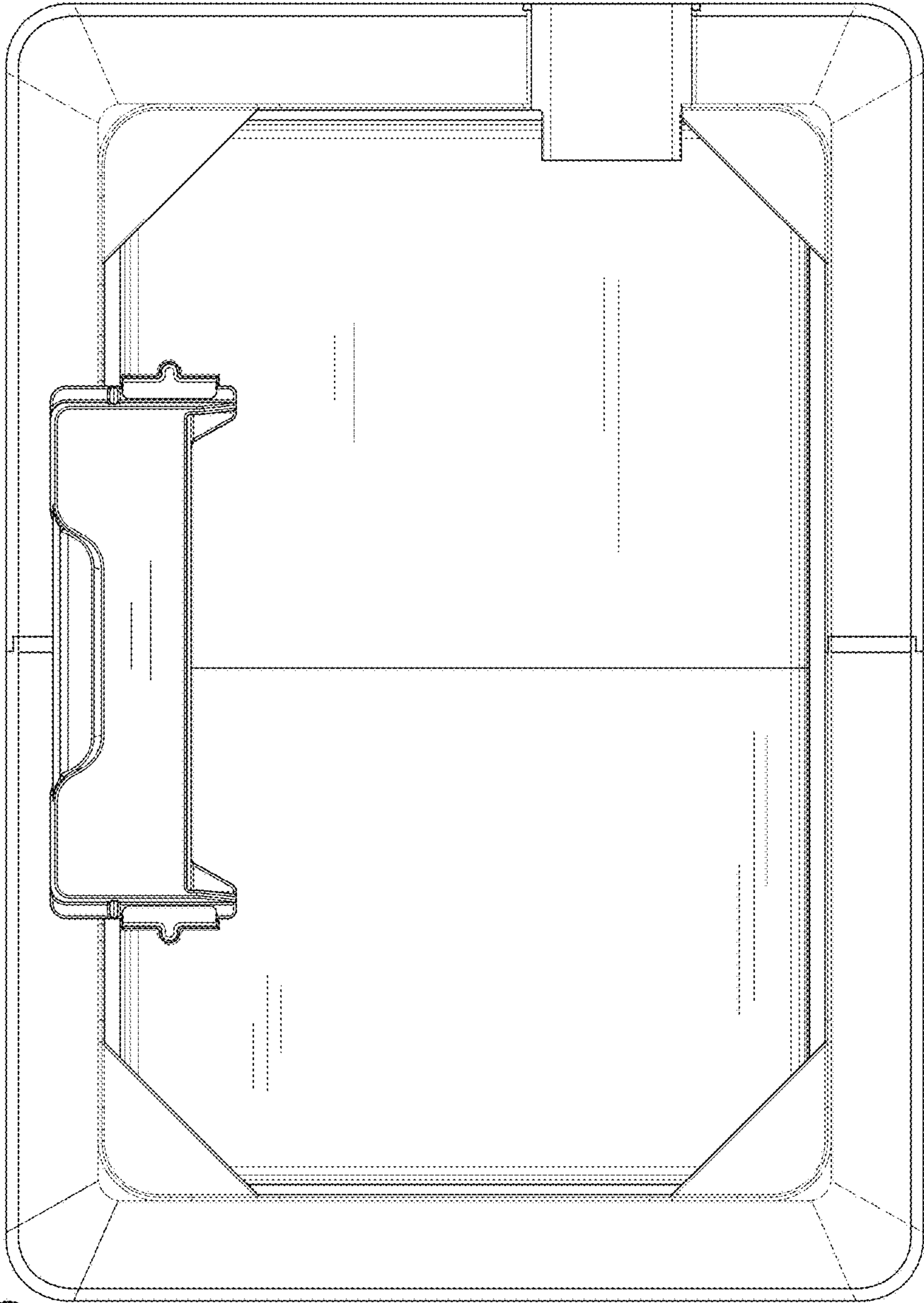


FIG. 9

FIG. 10

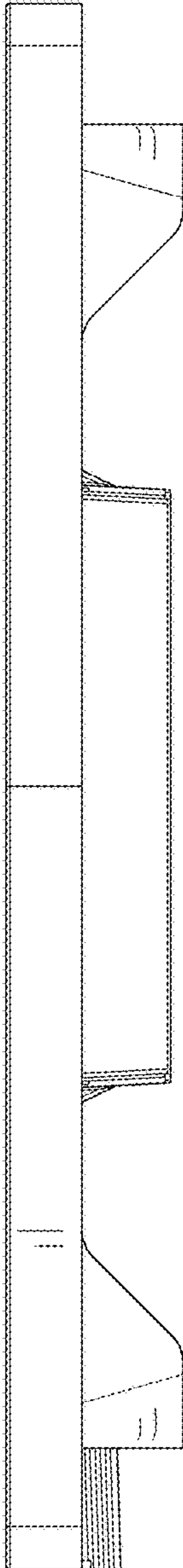




FIG. 11

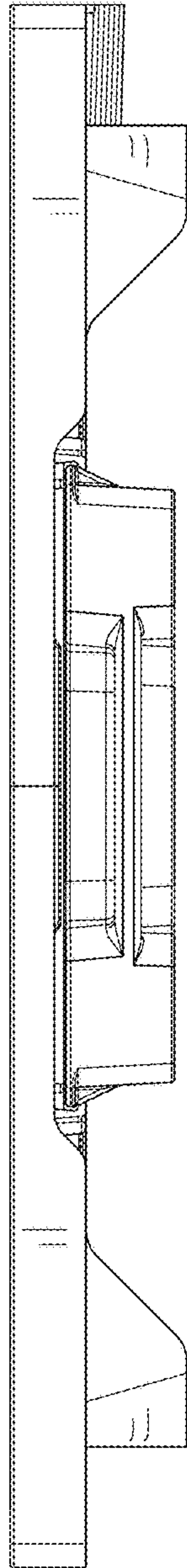


FIG. 12

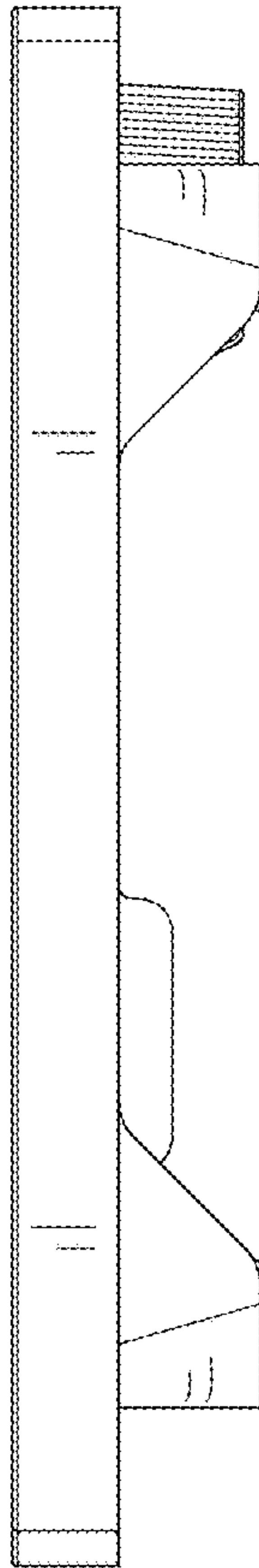


FIG. 13

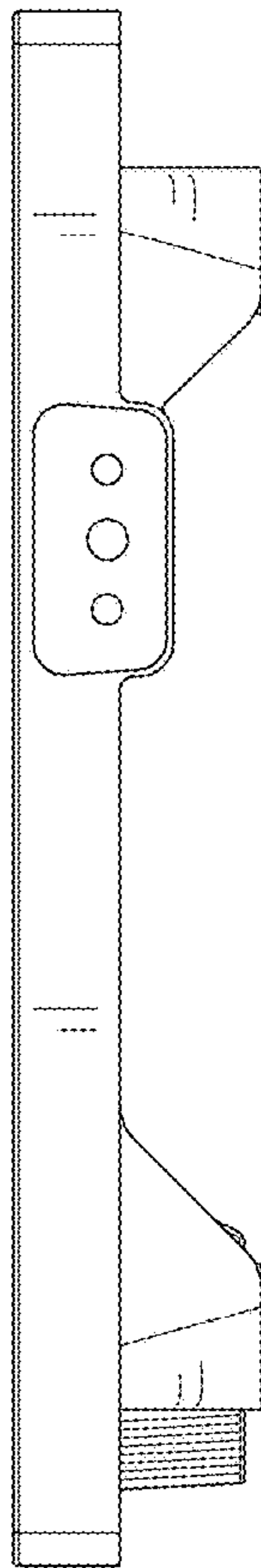
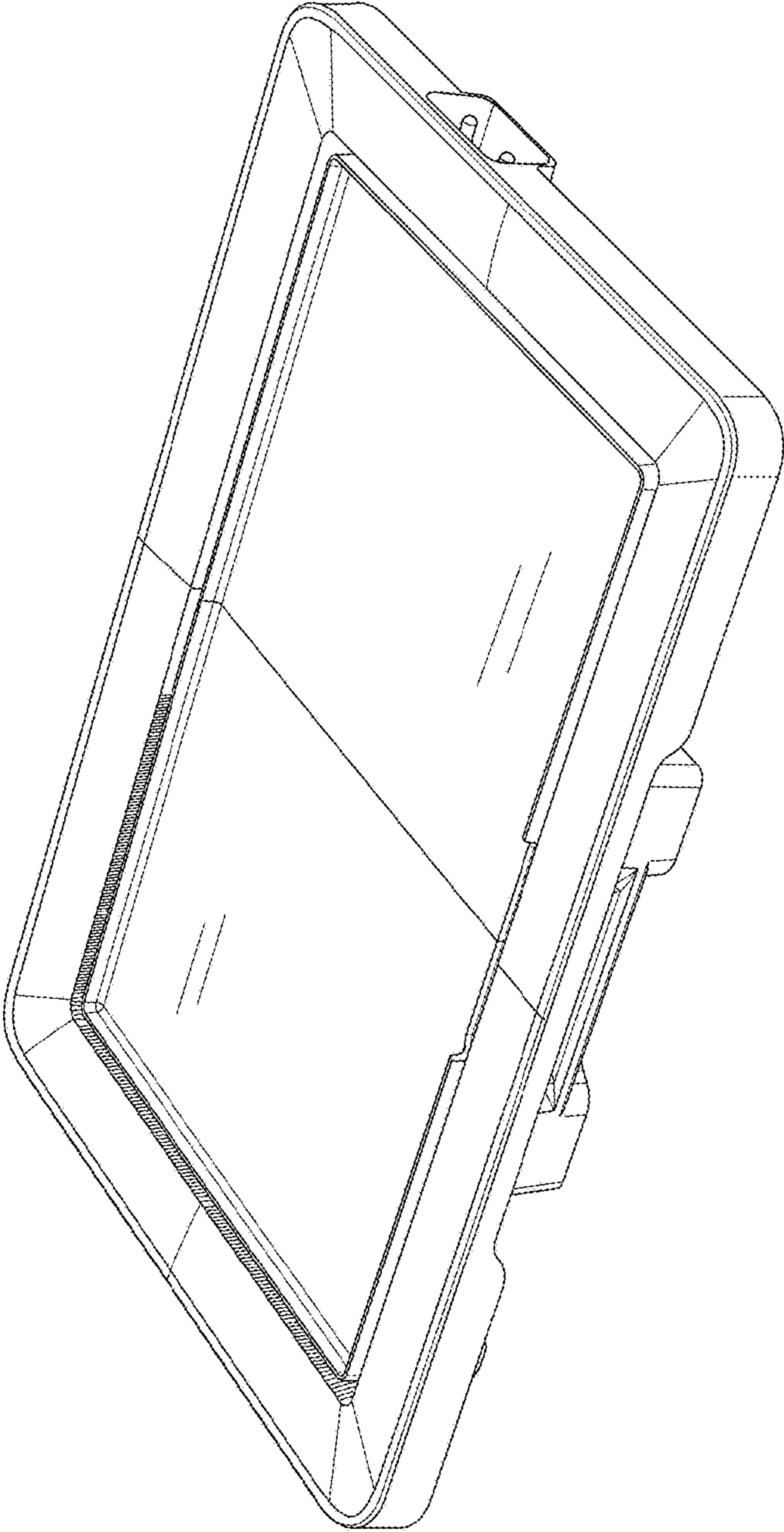


FIG. 14





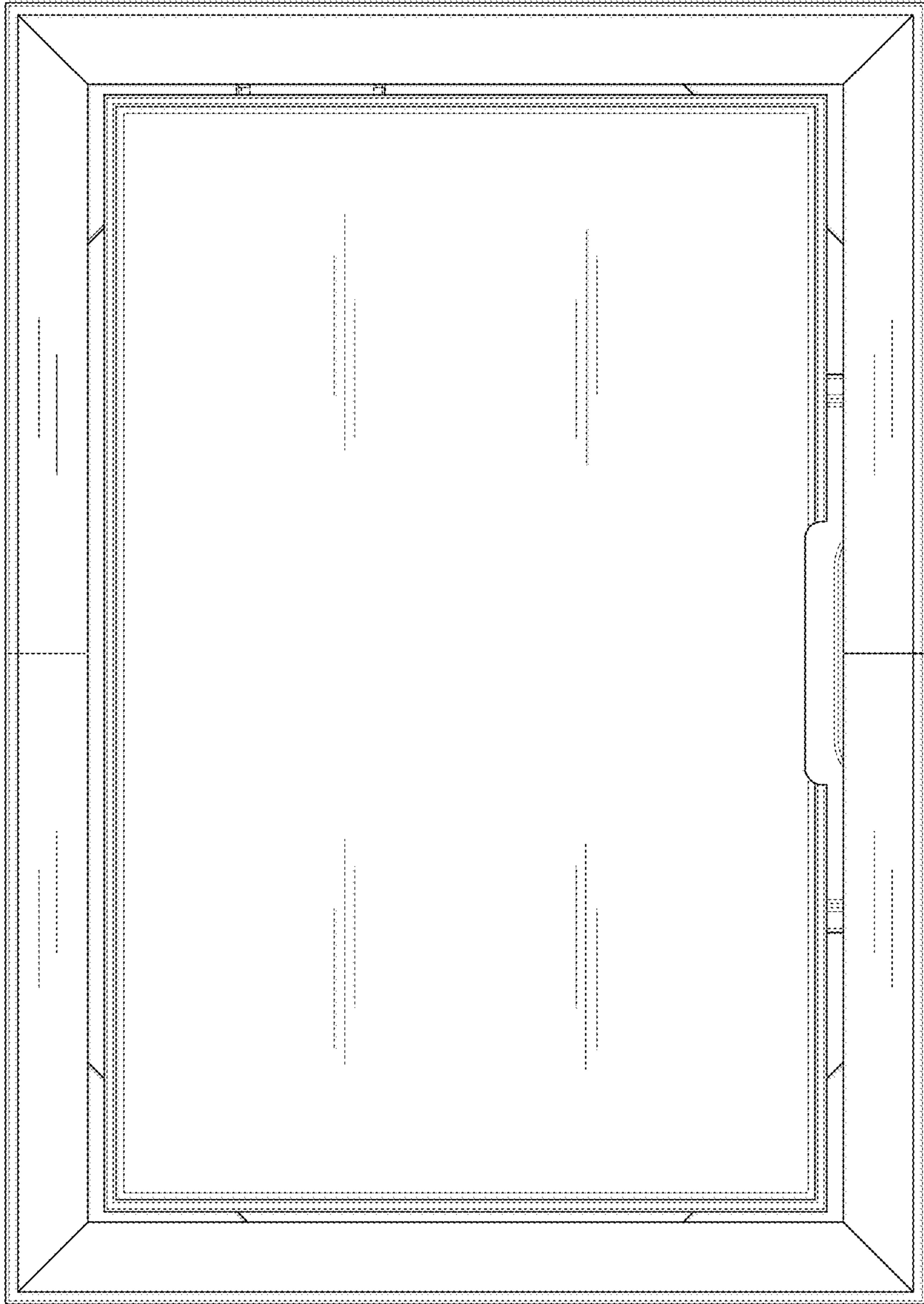


FIG. 15

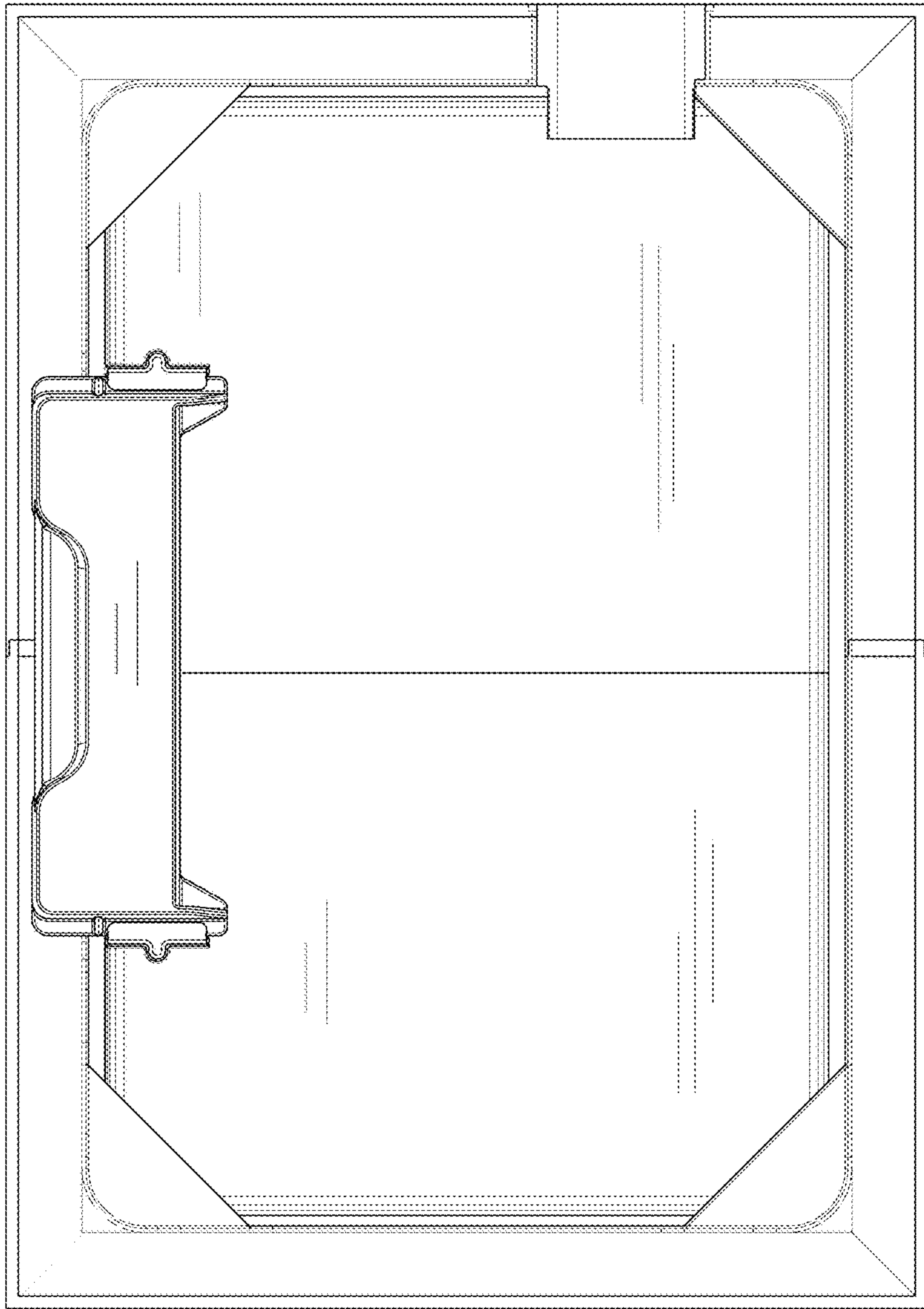


FIG. 16

FIG. 17

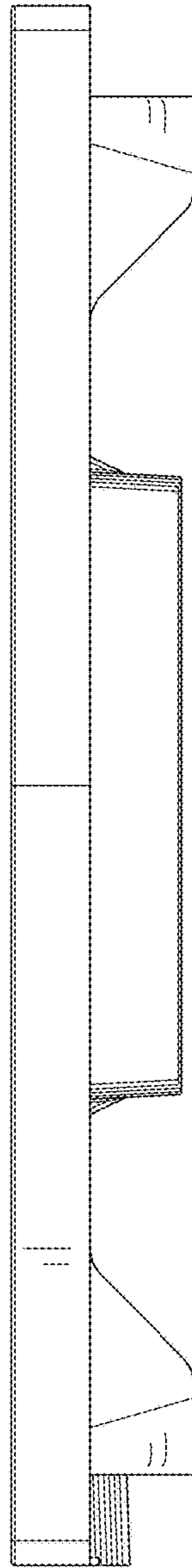


FIG. 18

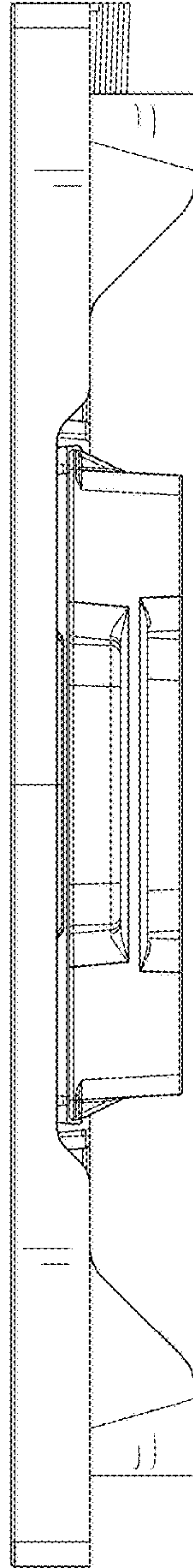




FIG. 19

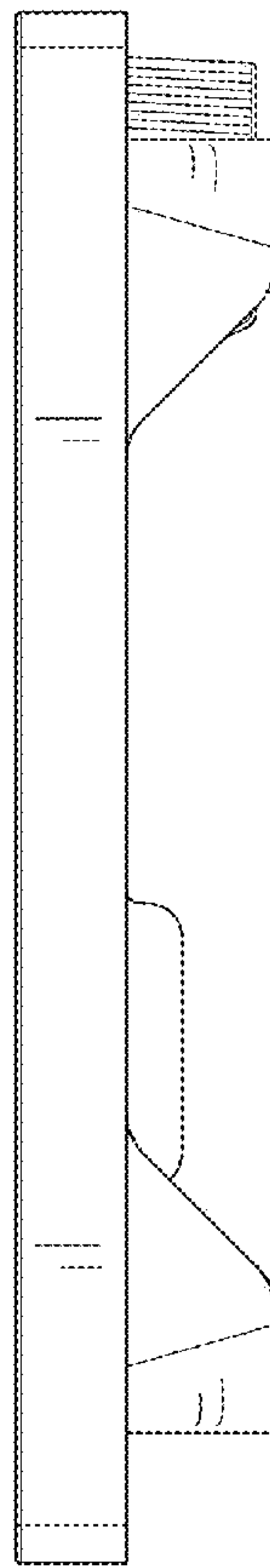


FIG. 20

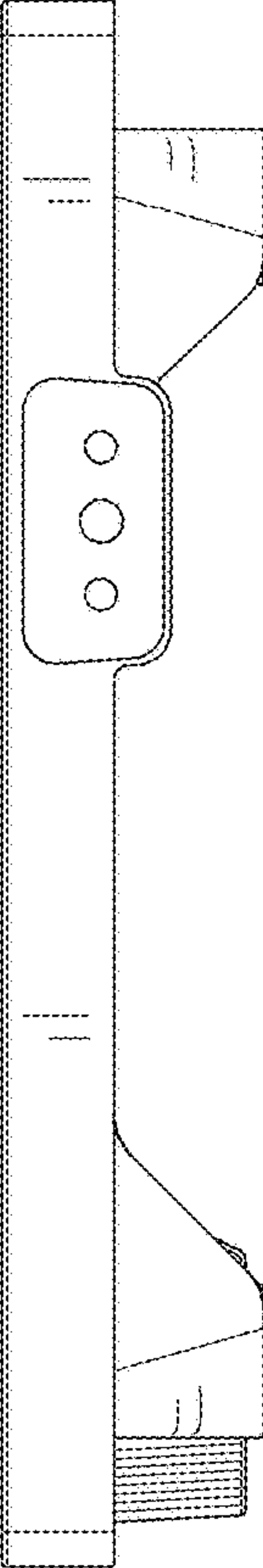
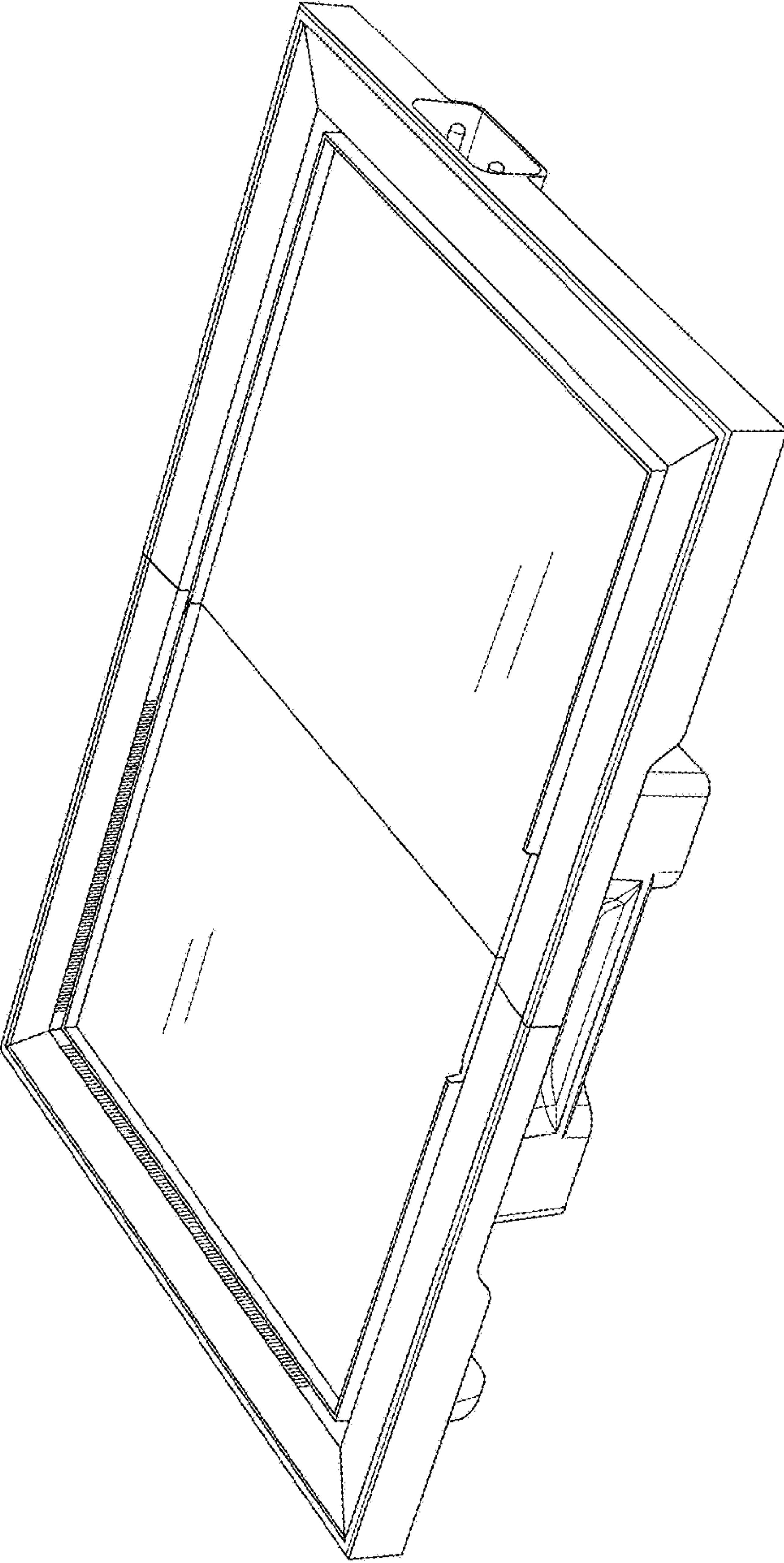
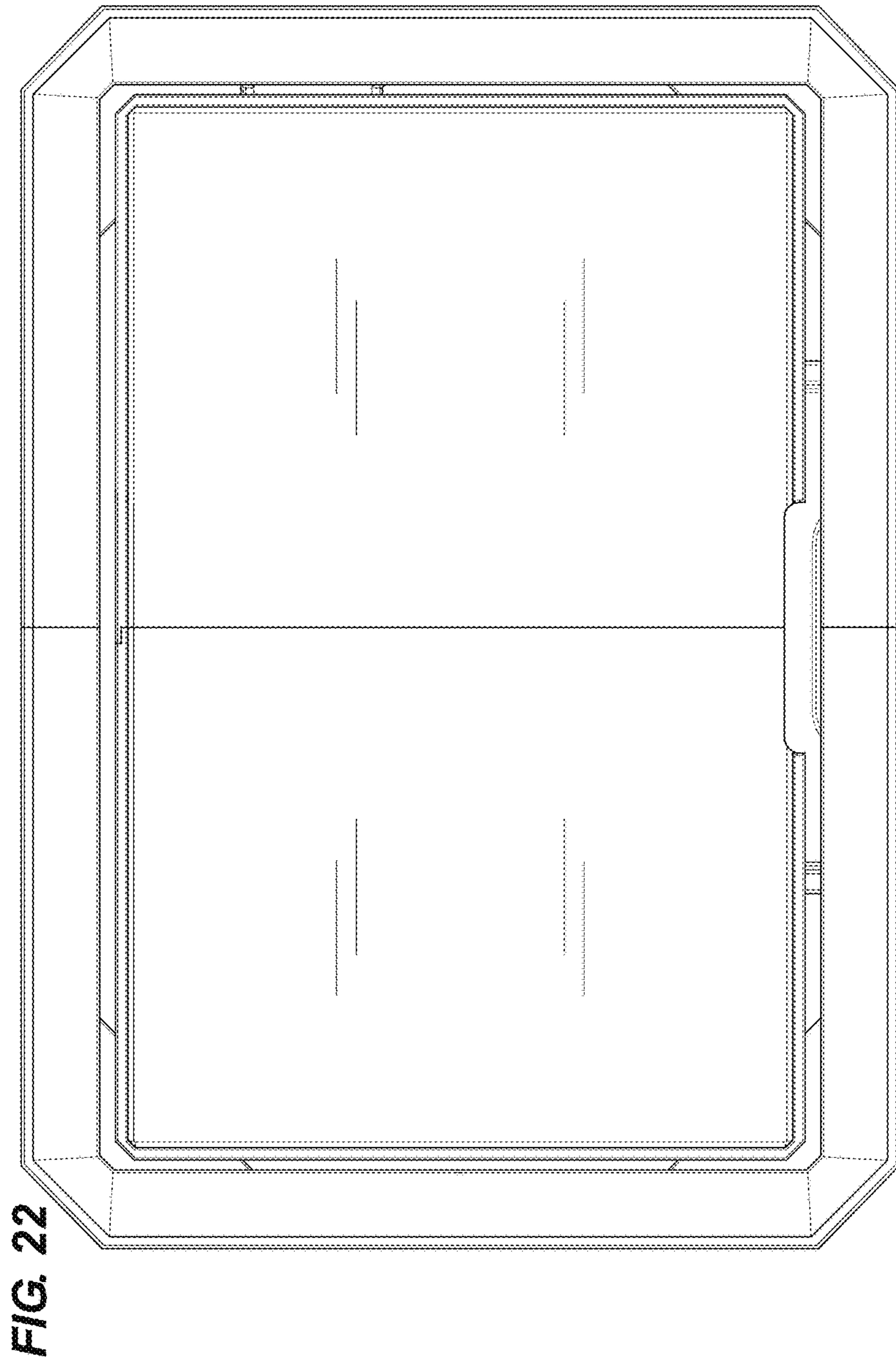


FIG. 21







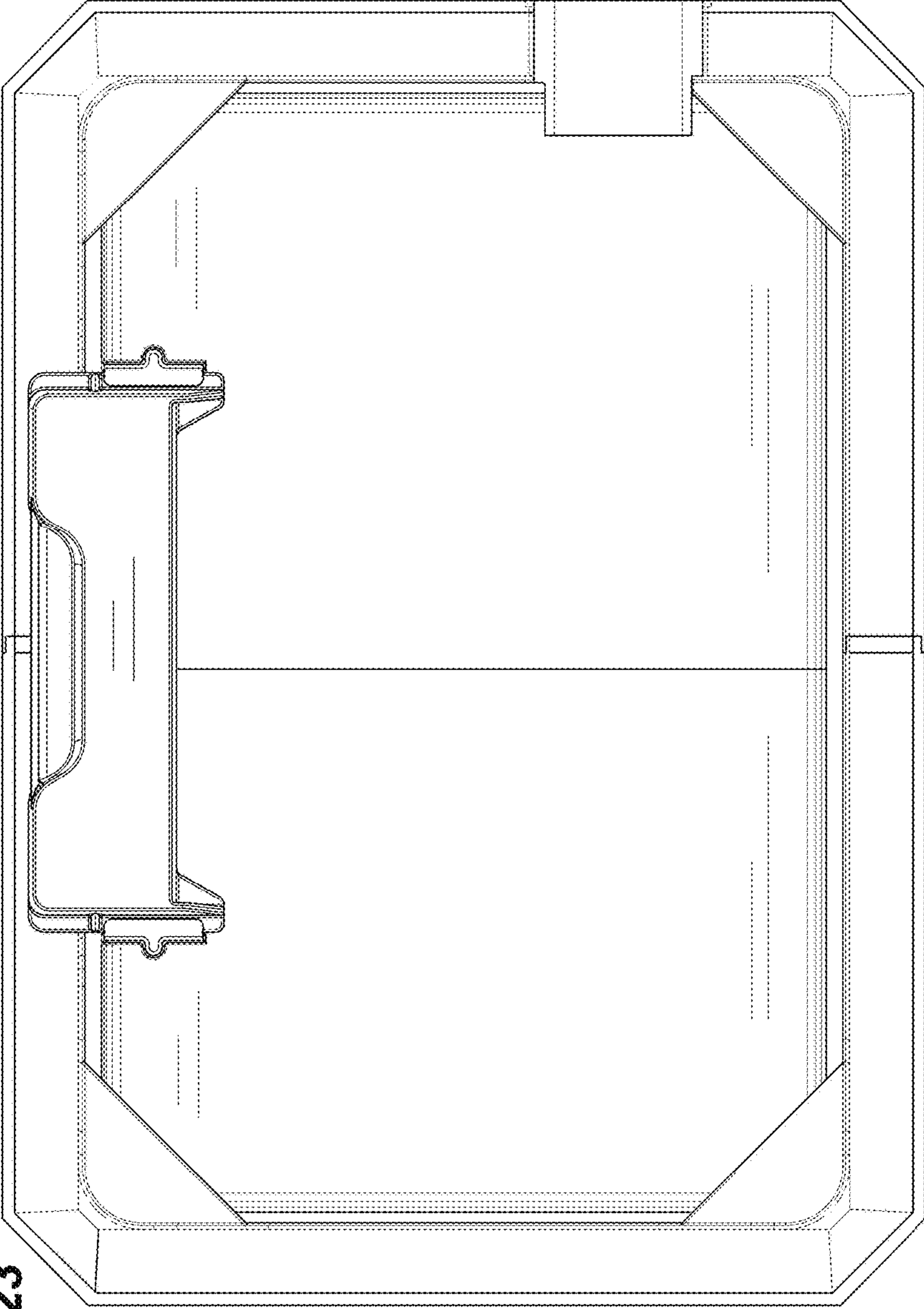


FIG. 23

FIG. 24

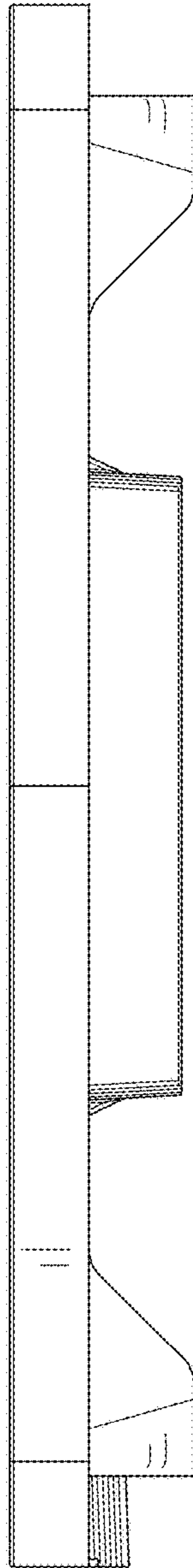


FIG. 25

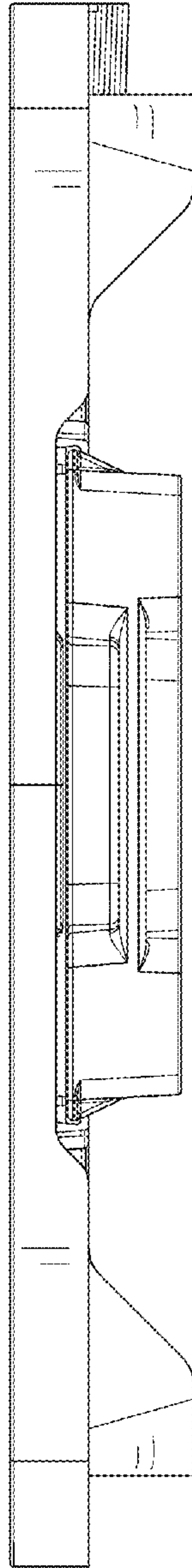


FIG. 26

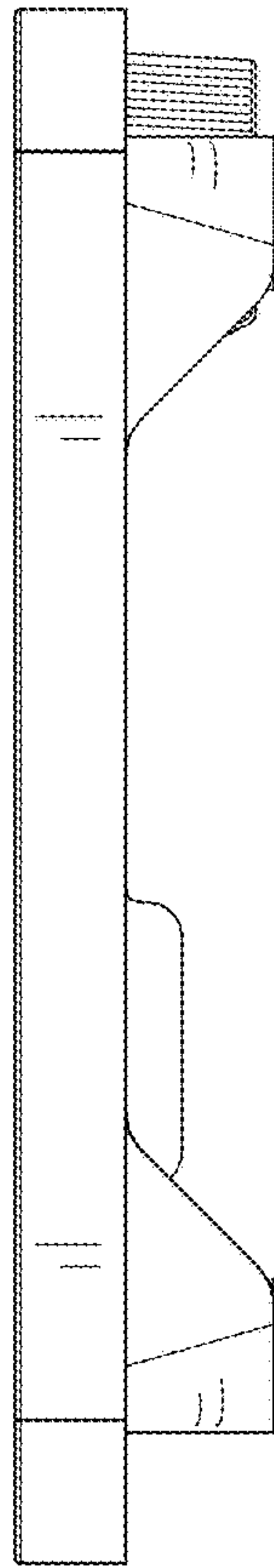
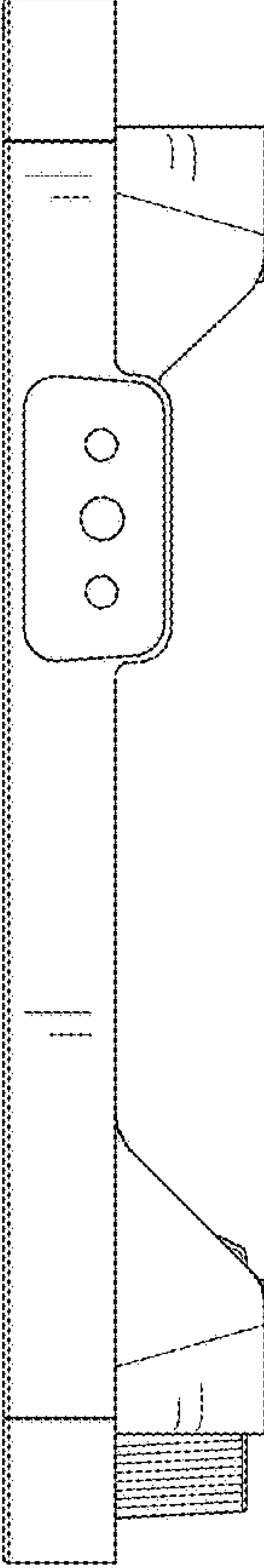
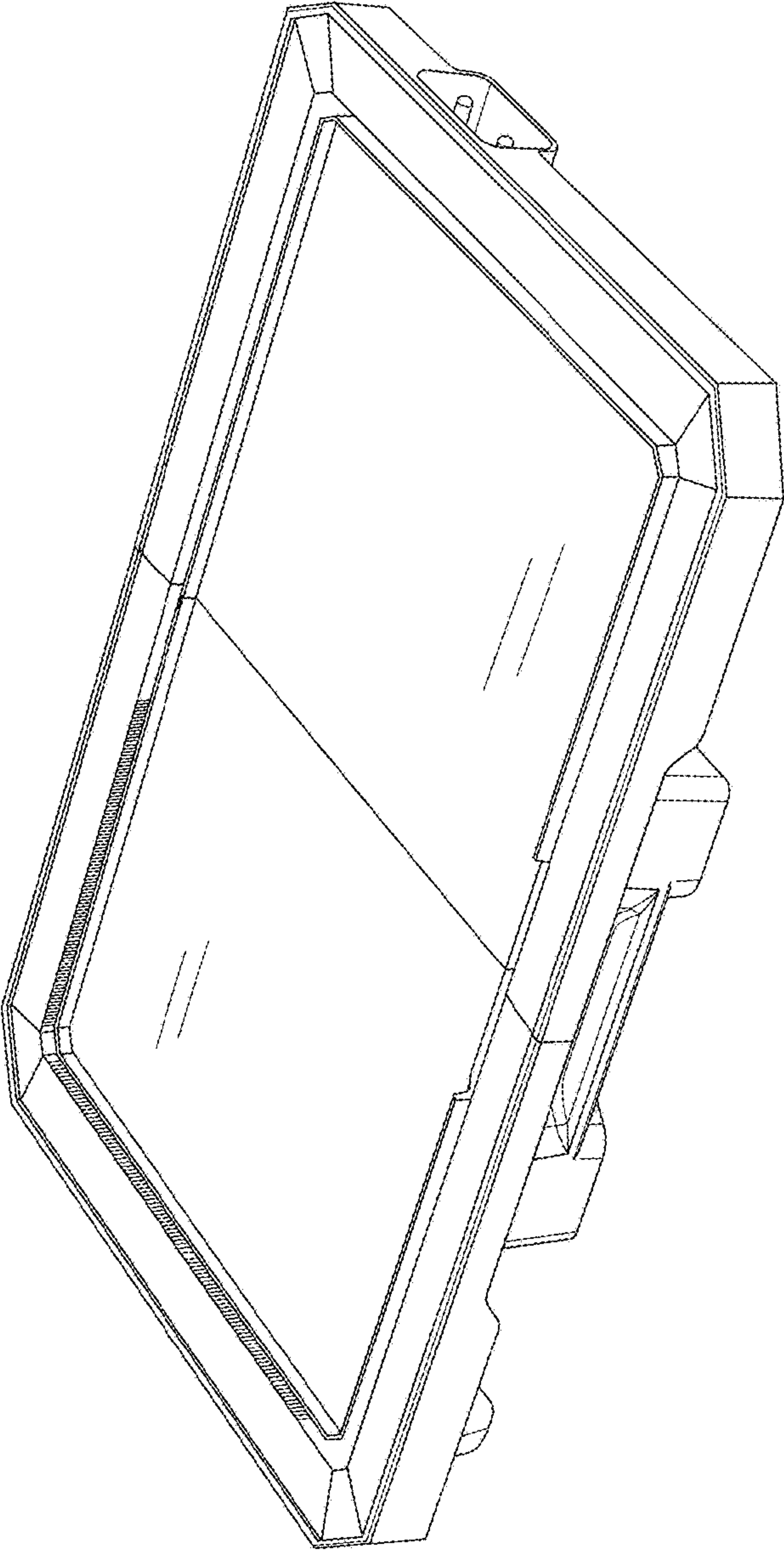


FIG. 27



**FIG. 28**





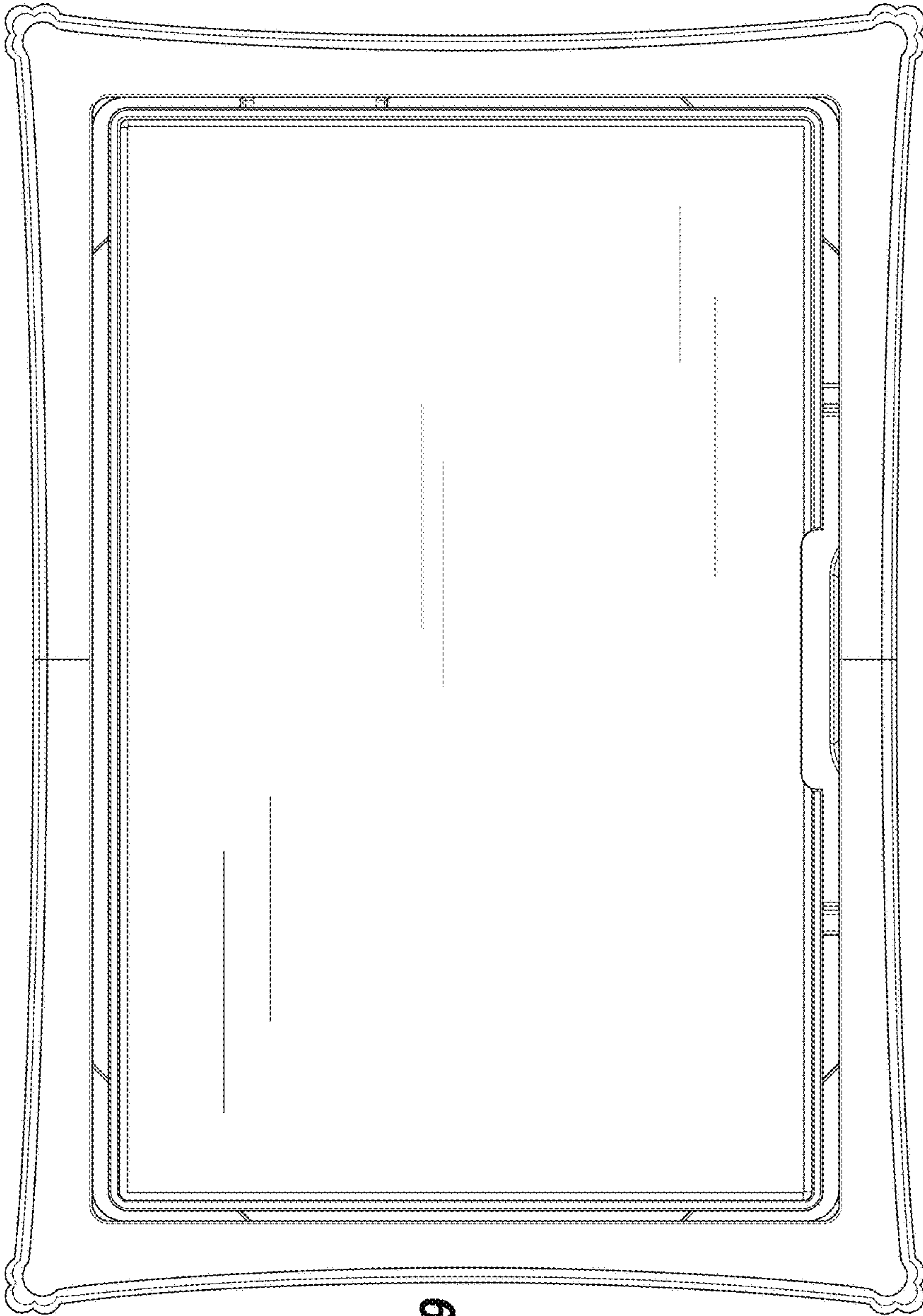


FIG. 29

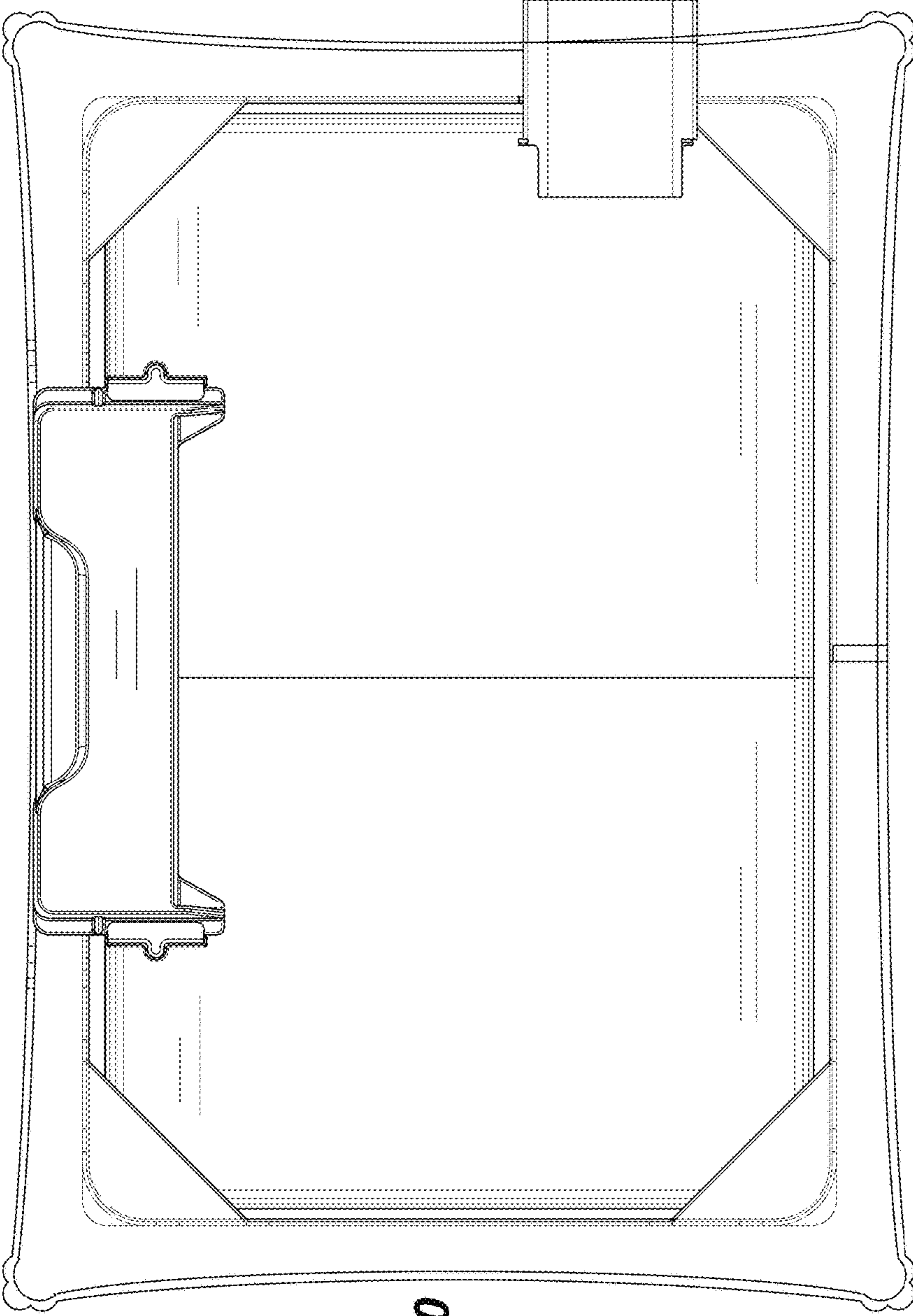


FIG. 30

FIG. 31

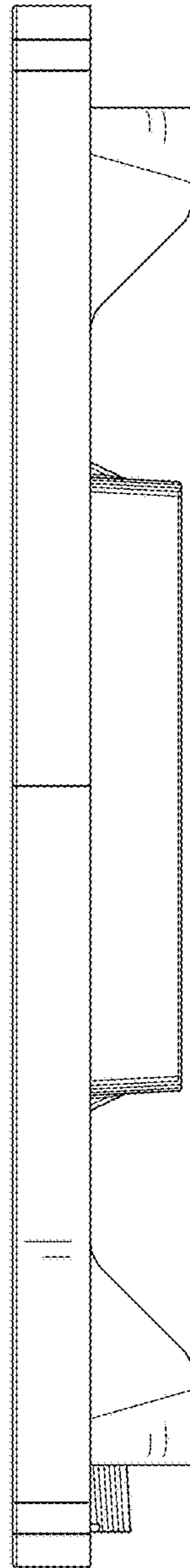


FIG. 32

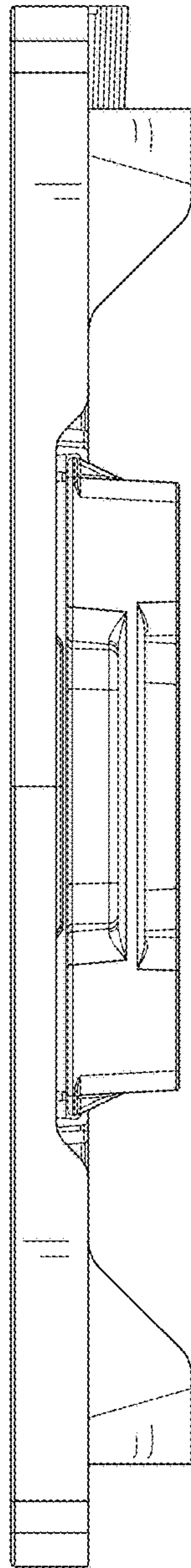


FIG. 33

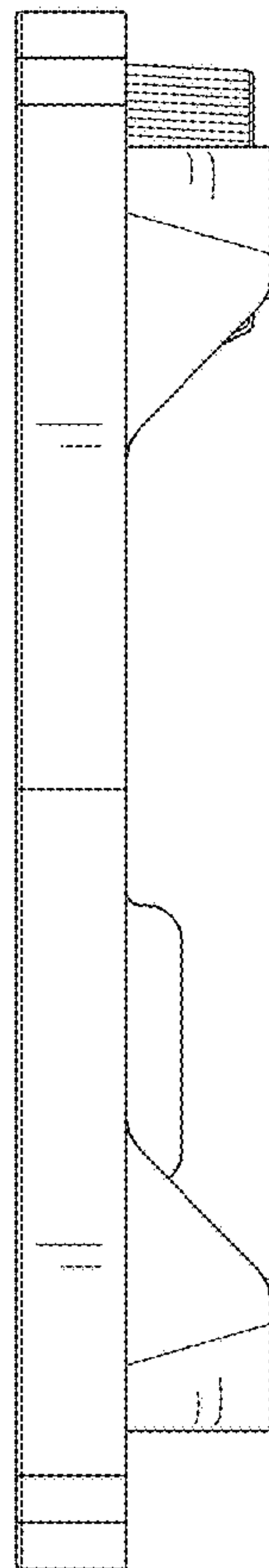


FIG. 34

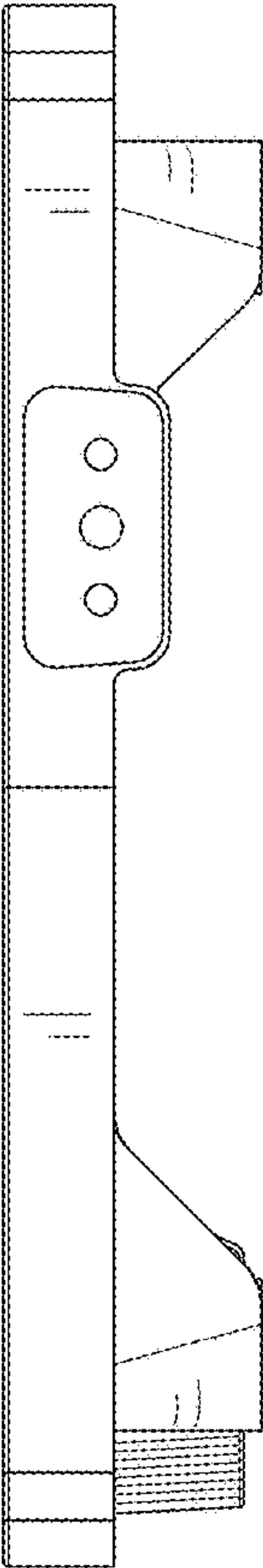
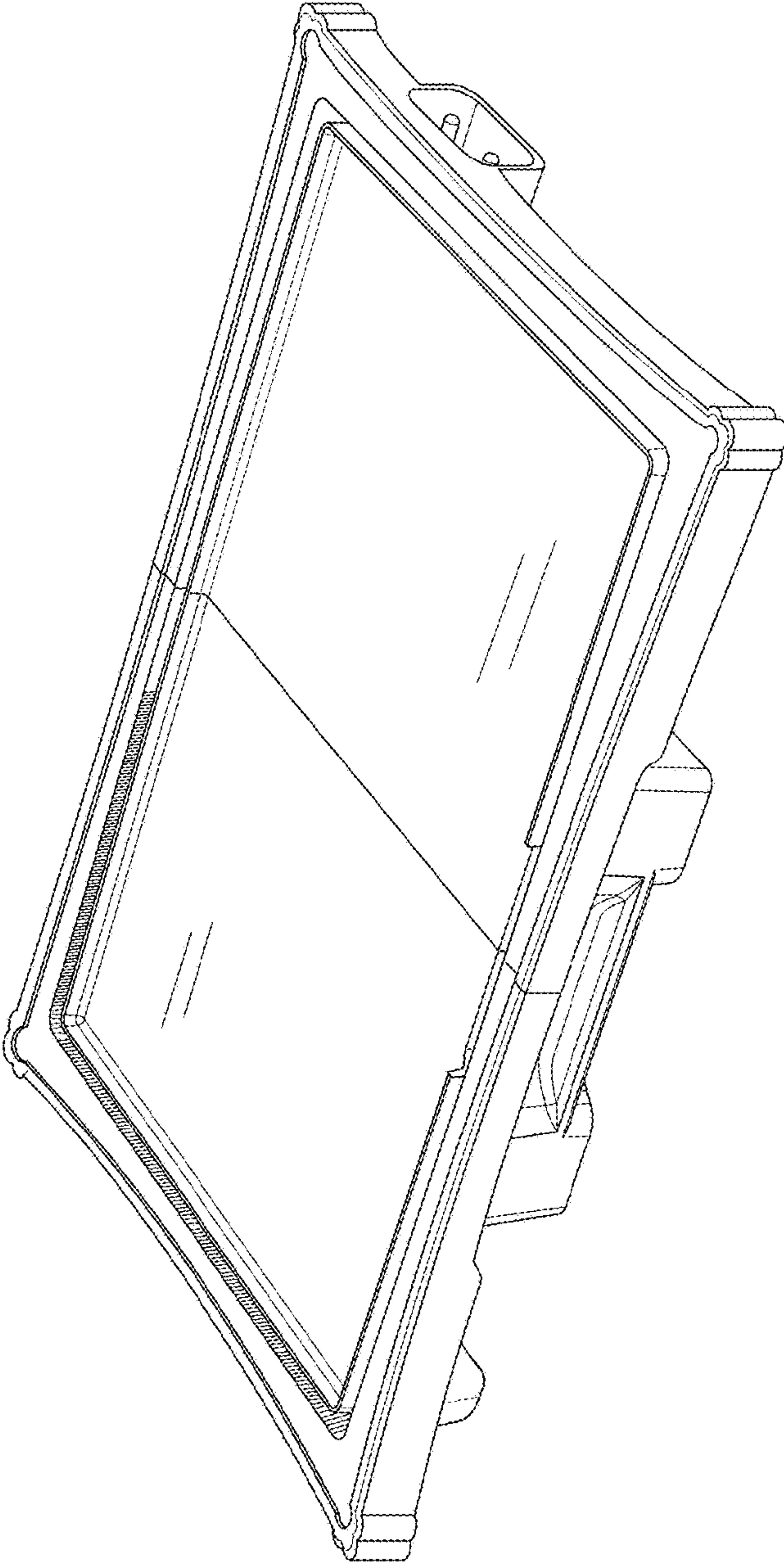




FIG. 35



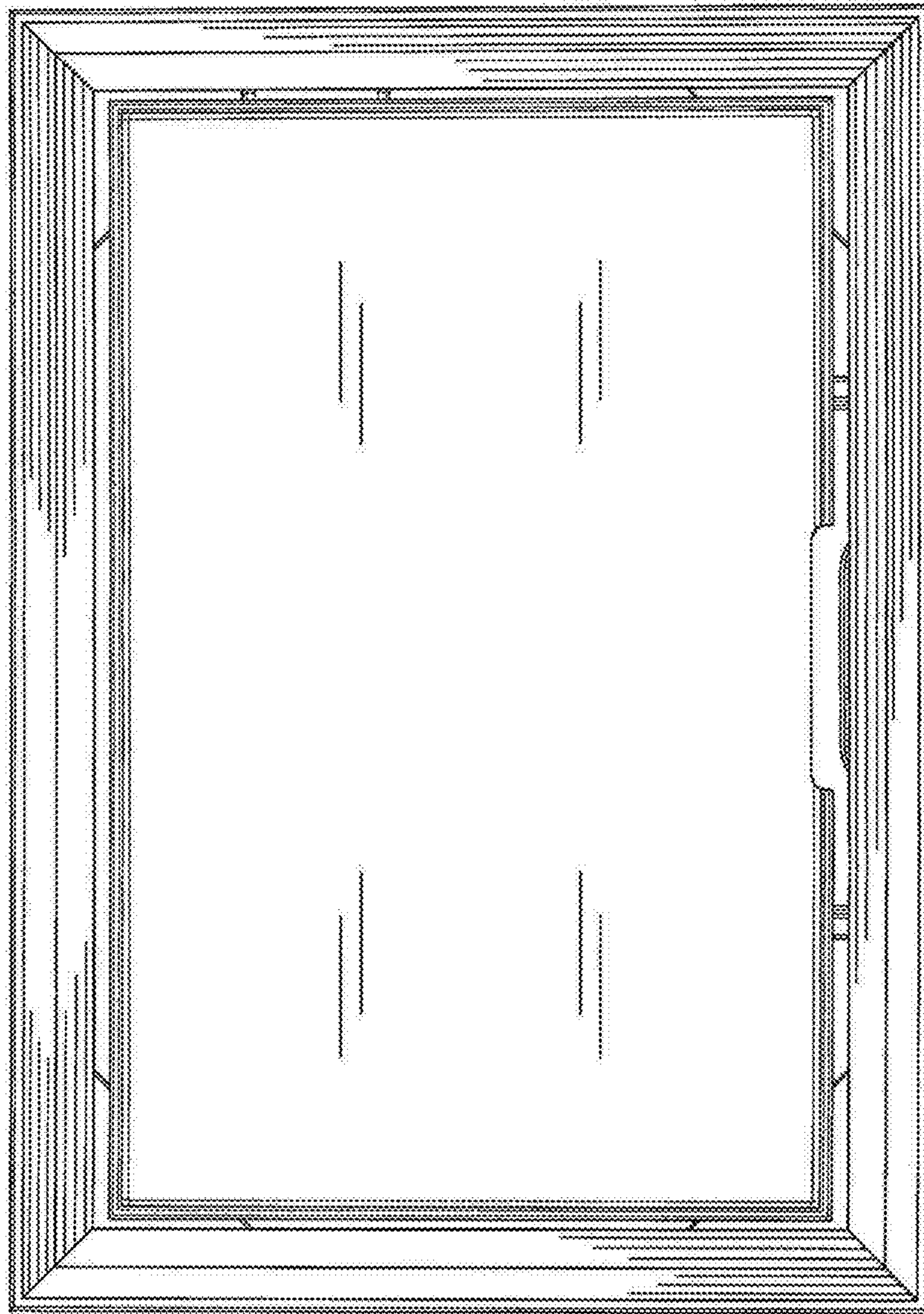


FIG. 36

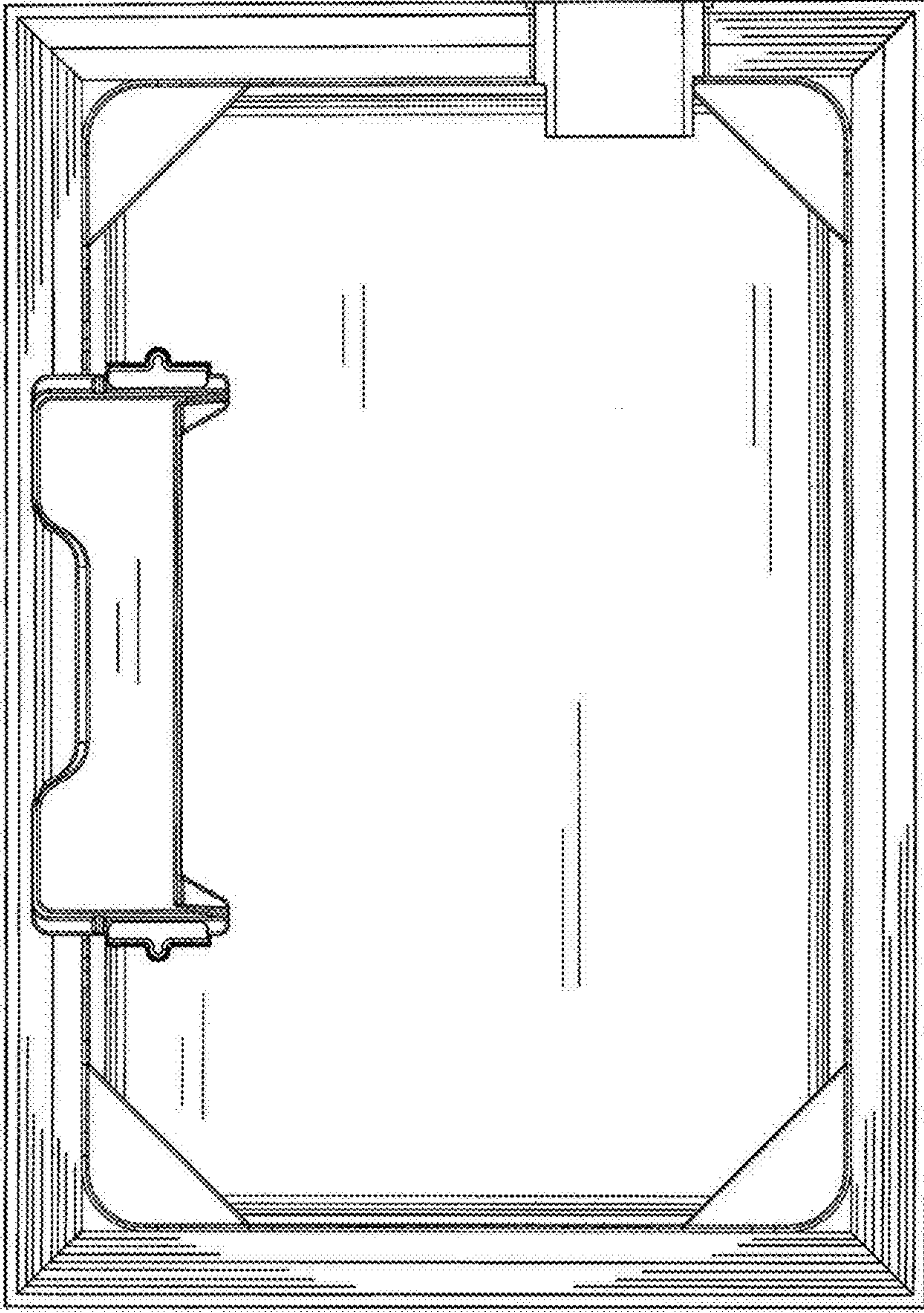


FIG. 37



FIG. 38

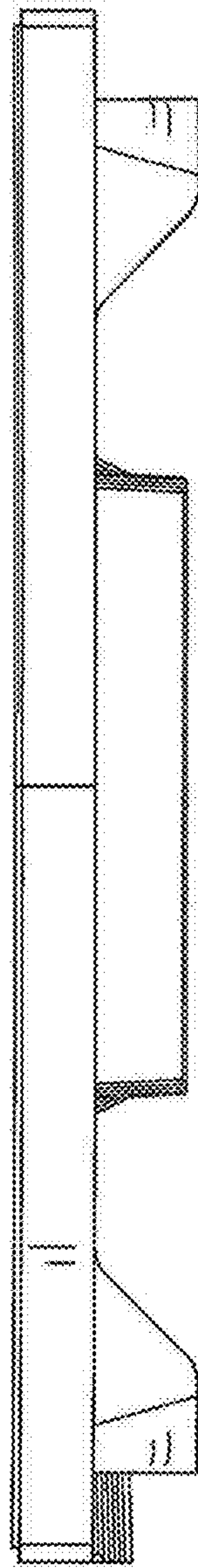


FIG. 39

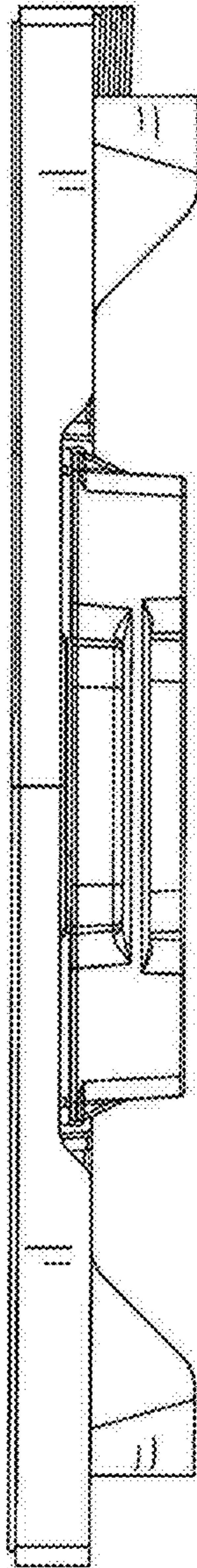
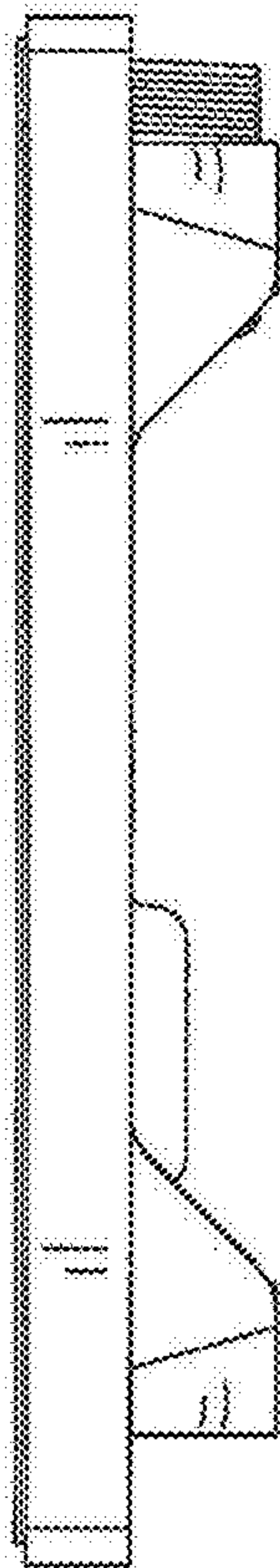


FIG. 40





**FIG. 41**

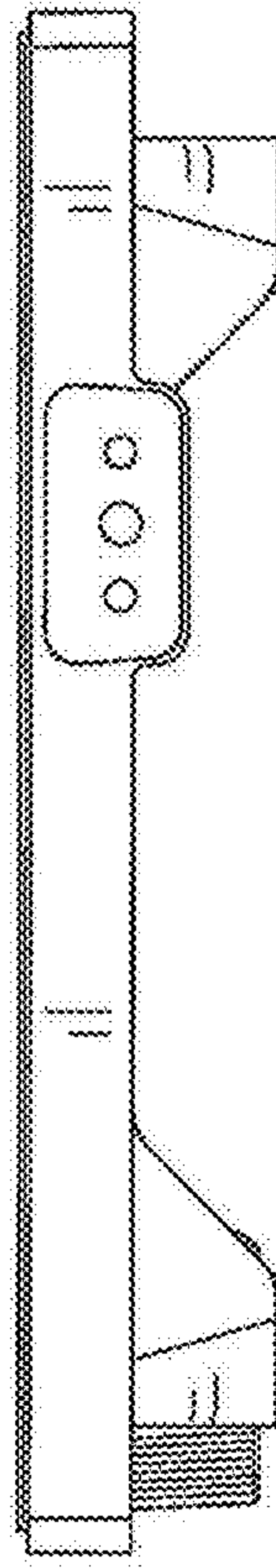
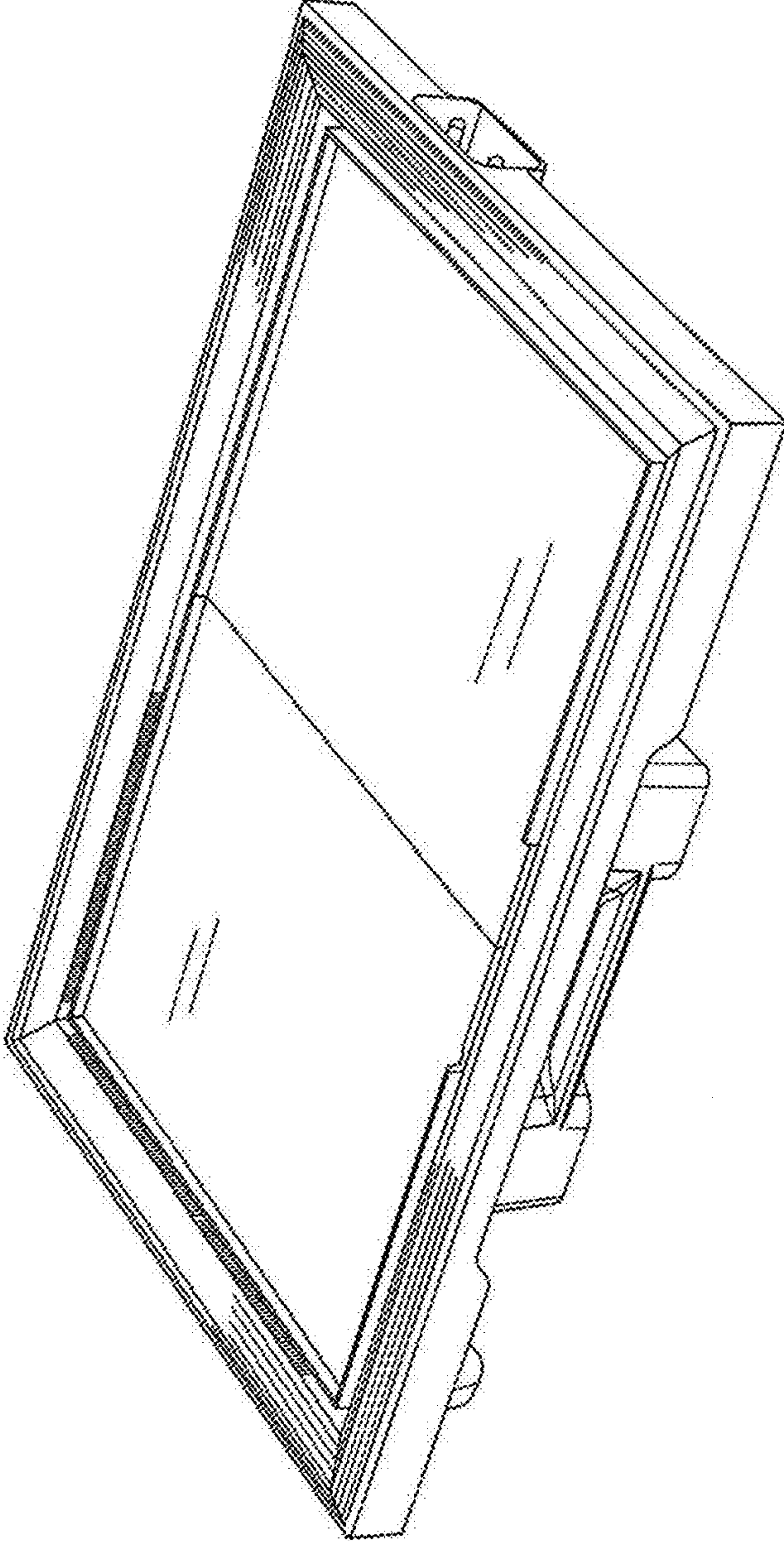


FIG. 42



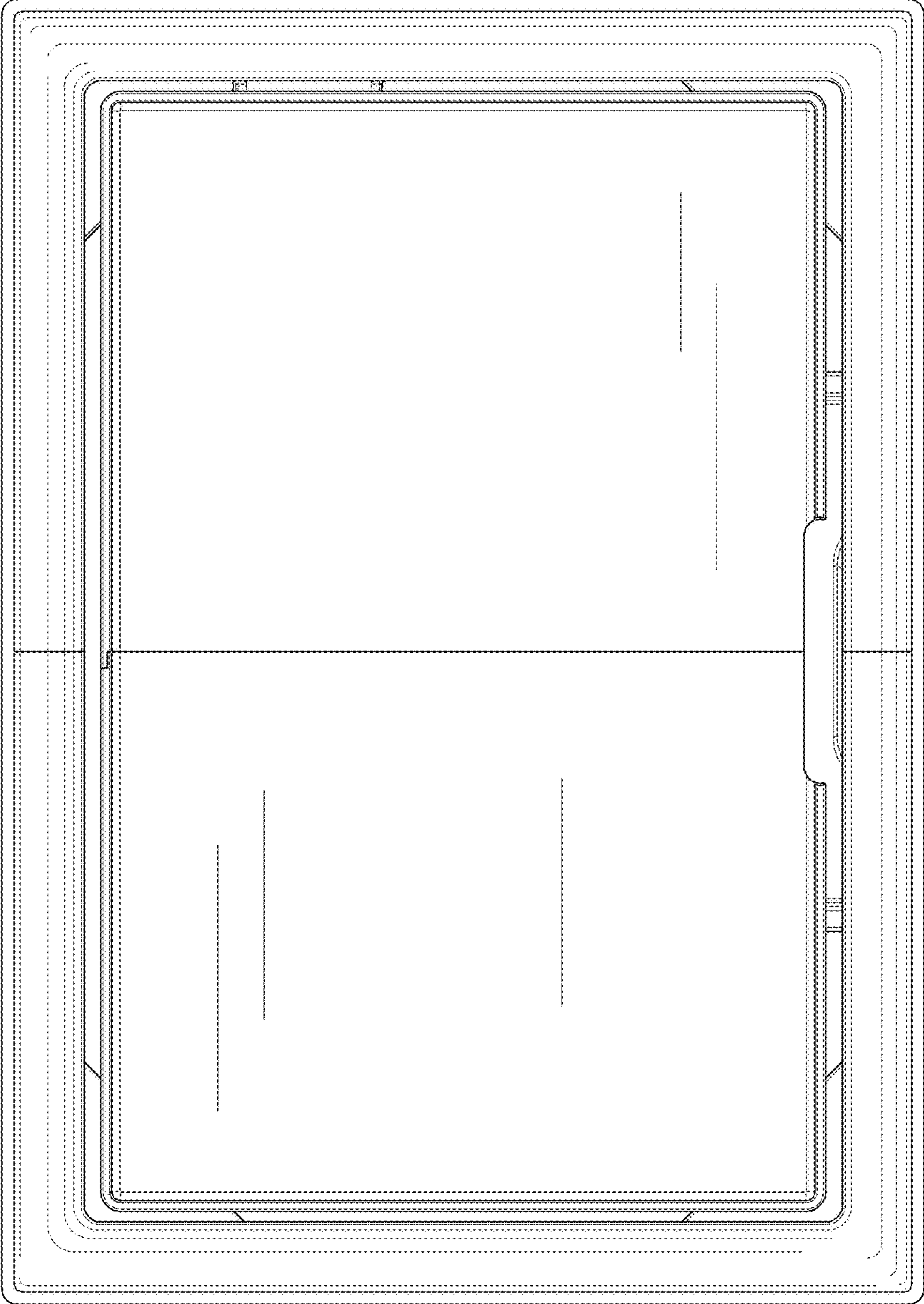


FIG. 43

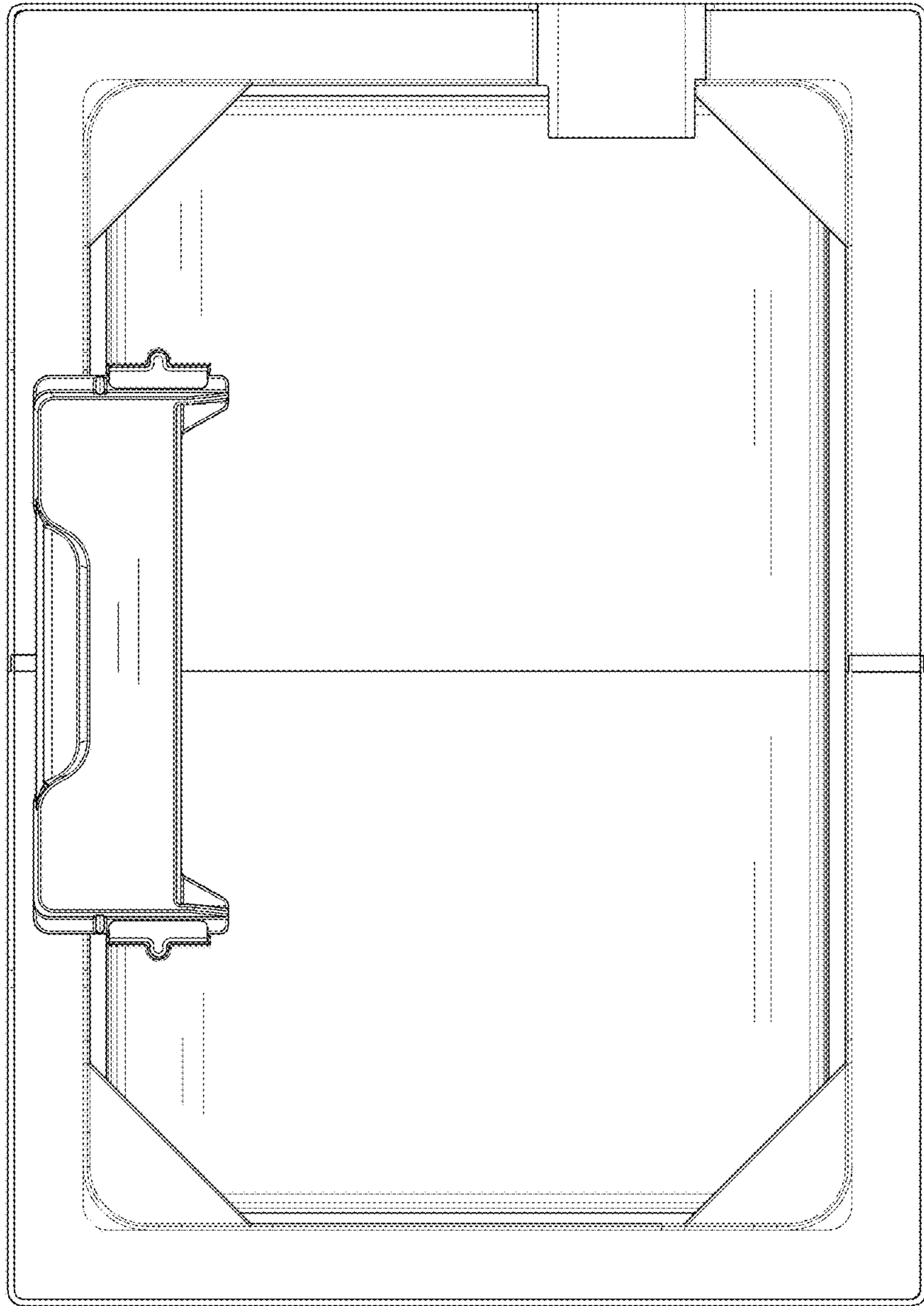


FIG. 44

FIG. 45

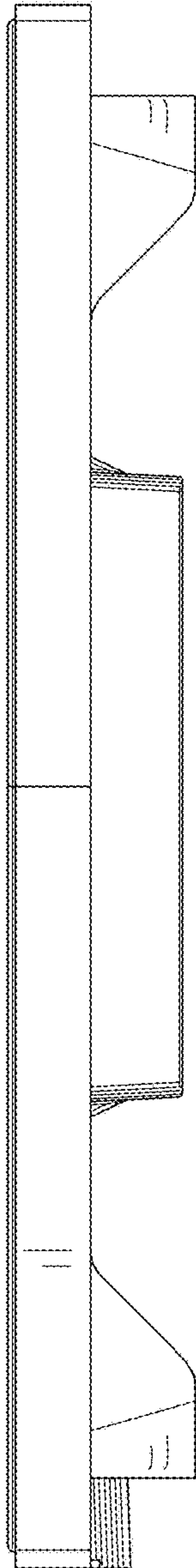


FIG. 46

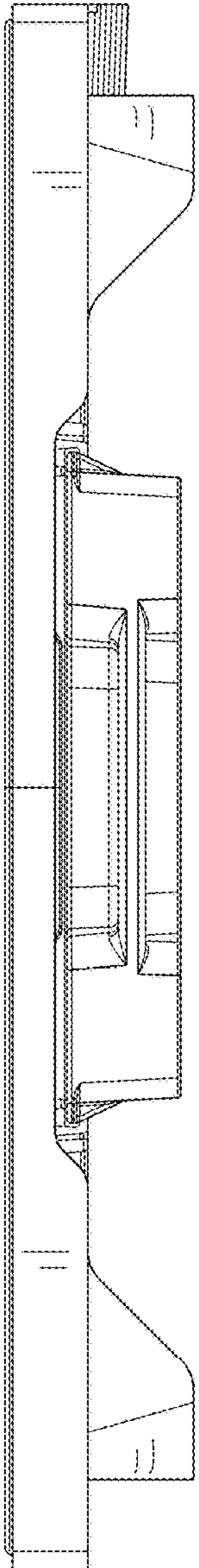




FIG. 47

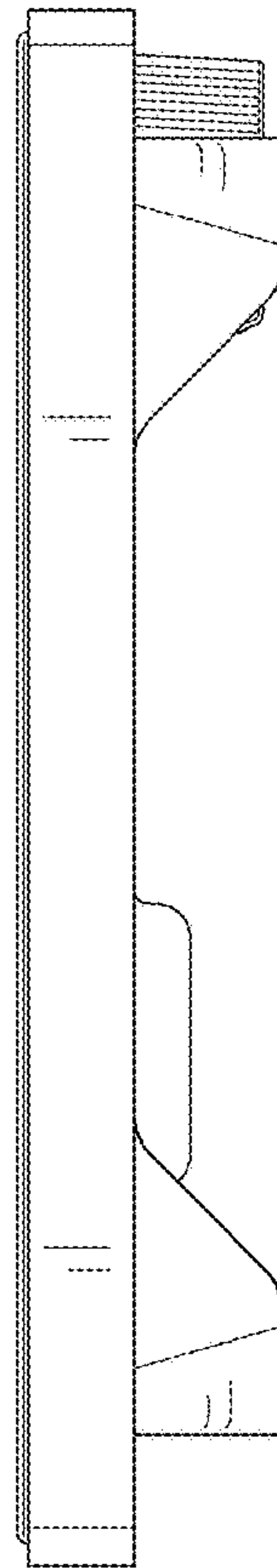


FIG. 48

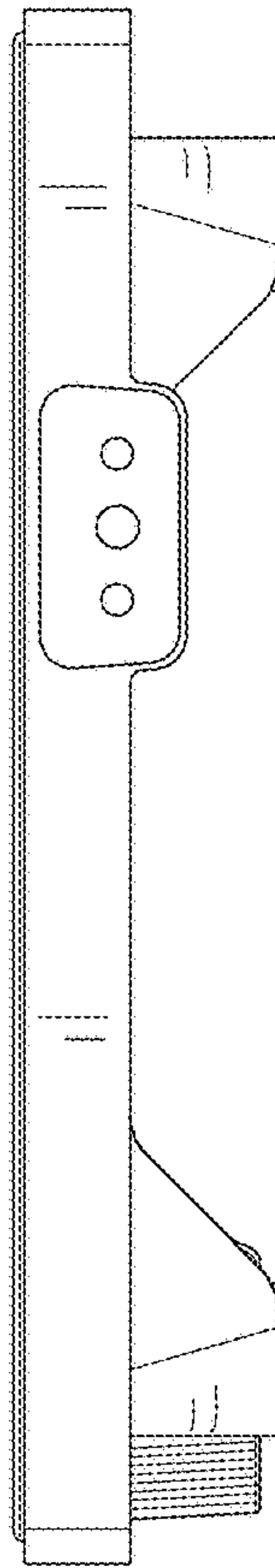
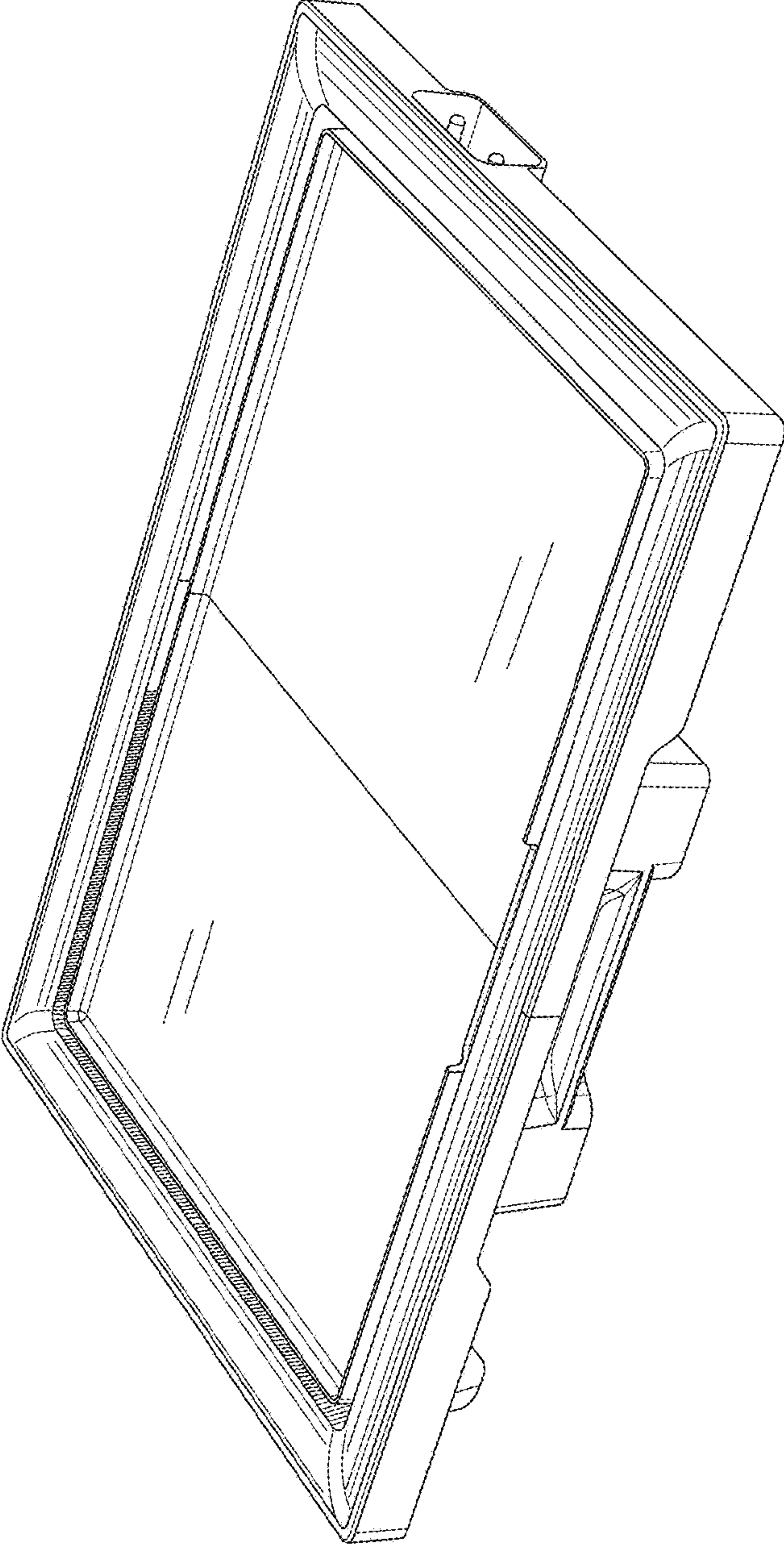


FIG. 49



UNITED STATES PATENT AND TRADEMARK OFFICE  
**CERTIFICATE OF CORRECTION**

PATENT NO. : D851,440 S  
APPLICATION NO. : 29/639755  
DATED : June 18, 2019  
INVENTOR(S) : Michael R. Berge et al.

Page 1 of 3

It is certified that error appears in the above-identified patent and that said Letters Patent is hereby corrected as shown below:

On the Title Page

Item (54):

Delete "Grill" from the title

Item (57), In the Claim:

Delete "Grill" from the claim

Item (57), under DESCRIPTION:

Delete "Grill" from the figure description of FIG. 1

Delete "Grill" from the figure description of FIG. 2

Delete "Grill" from the figure description of FIG. 3

Delete "Grill" from the figure description of FIG. 4

Delete "Grill" from the figure description of FIG. 5

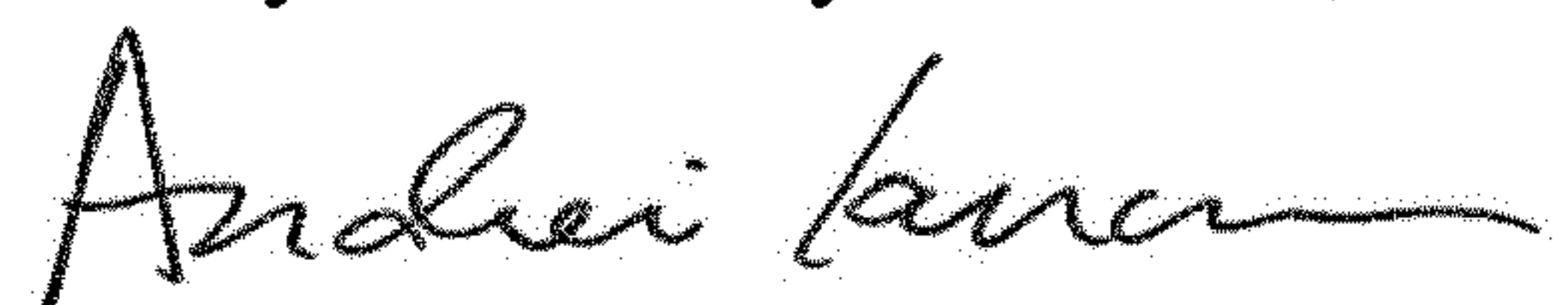
Delete "Grill" from the figure description of FIG. 6

Delete "Grill" from the figure description of FIG. 7

Delete "Grill" from the figure description of FIG. 8

Delete "Grill" from the figure description of FIG. 9

Signed and Sealed this  
Twenty-fourth Day of March, 2020



Andrei Iancu  
Director of the United States Patent and Trademark Office

Delete "Grill" from the figure description of FIG. 10

Delete "Grill" from the figure description of FIG. 11

Delete "Grill" from the figure description of FIG. 12

Delete "Grill" from the figure description of FIG. 13

Delete "Grill" from the figure description of FIG. 14

Delete "Grill" from the figure description of FIG. 15

Delete "Grill" from the figure description of FIG. 16

Delete "Grill" from the figure description of FIG. 17

Delete "Grill" from the figure description of FIG. 18

Delete "Grill" from the figure description of FIG. 19

Delete "Grill" from the figure description of FIG. 20

Delete "Grill" from the figure description of FIG. 21

Delete "Grill" from the figure description of FIG. 22

Delete "Grill" from the figure description of FIG. 23

Delete "Grill" from the figure description of FIG. 24

Delete "Grill" from the figure description of FIG. 25

Delete "Grill" from the figure description of FIG. 26

Delete "Grill" from the figure description of FIG. 27

Delete "Grill" from the figure description of FIG. 28

Delete "Grill" from the figure description of FIG. 29

Delete "Grill" from the figure description of FIG. 30

Delete "Grill" from the figure description of FIG. 31

Delete "Grill" from the figure description of FIG. 32

Delete "Grill" from the figure description of FIG. 33

Delete "Grill" from the figure description of FIG. 34

Delete "Grill" from the figure description of FIG. 35

Delete "Grill" from the figure description of FIG. 36

Delete "Grill" from the figure description of FIG. 37

Delete "Grill" from the figure description of FIG. 38

Delete "Grill" from the figure description of FIG. 39

Delete "Grill" from the figure description of FIG. 40

Delete "Grill" from the figure description of FIG. 41

Delete "Grill" from the figure description of FIG. 42

Delete "Grill" from the figure description of FIG. 43

Delete "Grill" from the figure description of FIG. 44

Delete "Grill" from the figure description of FIG. 45

Delete "Grill" from the figure description of FIG. 46

Delete "Grill" from the figure description of FIG. 47

Delete "Grill" from the figure description of FIG. 48

Delete "Grill" from the figure description of FIG. 49