



US00D851439S

(12) **United States Design Patent** (10) **Patent No.:** **US D851,439 S**  
**Harrell et al.** (45) **Date of Patent:** **\*\* Jun. 18, 2019**

(54) **STOVE**  
(71) Applicant: **Dometic Sweden AB**, Solna (SE)  
(72) Inventors: **Dustin Harrell**, Goodlettsville, TN (US); **Samuele Meda**, Solna (SE); **Kristoffer Olsson**, Stockholm (SE)  
(73) Assignee: **Dometic Sweden AB**, Solna (SE)  
(\*\*) Term: **15 Years**  
(21) Appl. No.: **29/627,085**  
(22) Filed: **Nov. 22, 2017**  
(51) **LOC (11) Cl.** ..... **07-02**  
(52) **U.S. Cl.**  
USPC ..... **D7/346**  
(58) **Field of Classification Search**  
USPC ..... D7/323, 328–330, 339–349, 390, D7/402–409; D8/300–306  
CPC ... A21B 2/00; A47J 37/00; A47J 37/06; A47J 37/0611; A47J 37/08; A47J 37/0807; A47J 37/0814; A47J 37/0835; A47J 37/0842; A47J 37/085; A47J 37/0864; A47J 37/0878; A47J 37/0885; A47J 37/0892; F24C 7/00; F24C 7/002; F24C 7/046; F24C 7/067; F24C 15/02; F24C 15/04; F24C 15/10; F24C 15/102  
See application file for complete search history.

D480,261 S 10/2003 Pottenger et al.  
D564,838 S \* 3/2008 Shin ..... D7/408  
D599,608 S 9/2009 Grumm et al.  
D629,638 S \* 12/2010 Funnell ..... D7/346  
D722,818 S \* 2/2015 Pionek ..... D7/406  
D722,820 S \* 2/2015 Pionek ..... D7/408  
D724,382 S \* 3/2015 Pionek ..... D7/406  
D771,437 S \* 11/2016 Segers ..... D7/346  
D804,245 S \* 12/2017 Segers ..... D7/402  
D810,493 S 2/2018 Tambornino

**OTHER PUBLICATIONS**

Dometic 2016 Product Catalogue, Cooking, pp. 95-96. Nov. 18, 2015.  
Design U.S. Appl. No. 29/627,123, filed Nov. 22, 2017 entitled "Stove".  
Design U.S. Appl. No. 29/627,084, filed Nov. 22, 2017 entitled "Stove".  
U.S. Appl. No. 62/589,769, filed Nov. 22, 2017 entitled "Stove".  
Design U.S. Appl. No. 29/633,001, filed Jan. 11, 2018 entitled "Cooktop Cover".  
Chinese Patent Application No. 201830234902.0 filed May 21, 2018 entitled "Stove".

\* cited by examiner

*Primary Examiner* — Ricky Pham  
(74) *Attorney, Agent, or Firm* — Middleton Reutlinger

(57) **CLAIM**

The ornamental design for a stove, as shown and described.

(56) **References Cited**

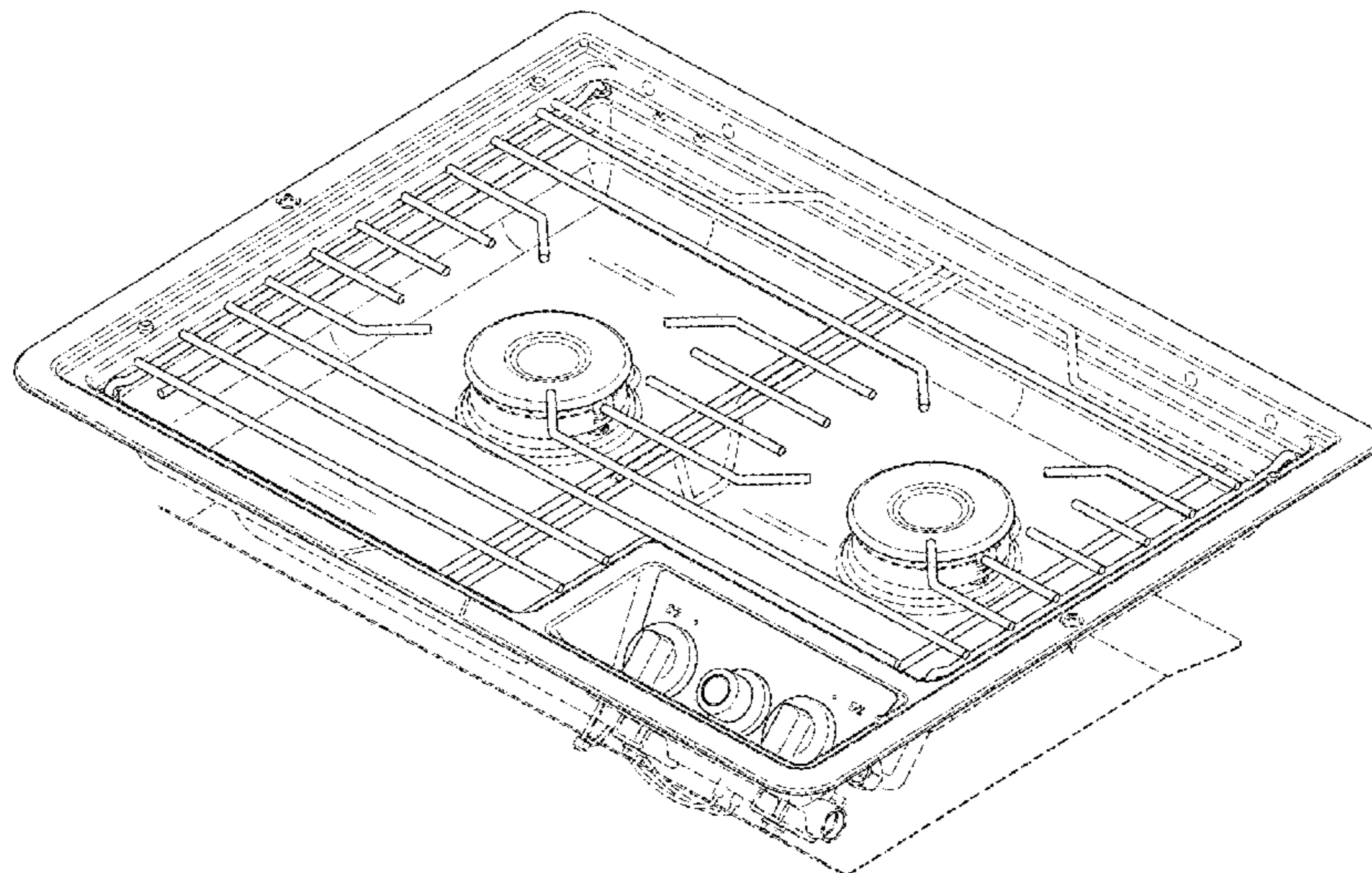
**U.S. PATENT DOCUMENTS**

D343,336 S \* 1/1994 Falk ..... D7/346  
D392,502 S \* 3/1998 Ashcraft ..... D7/346  
D393,774 S \* 4/1998 Ashcraft ..... D7/346  
D479,781 S 9/2003 Pottenger et al.  
D479,942 S 9/2003 Pottenger et al.

**DESCRIPTION**

FIG. 1 is an upper perspective view of a stove design; and, FIG. 2 is a top view of the stove design of FIG. 1. The broken line disclosure represents unclaimed portions of the stove in which the design is embodied.

**1 Claim, 2 Drawing Sheets**



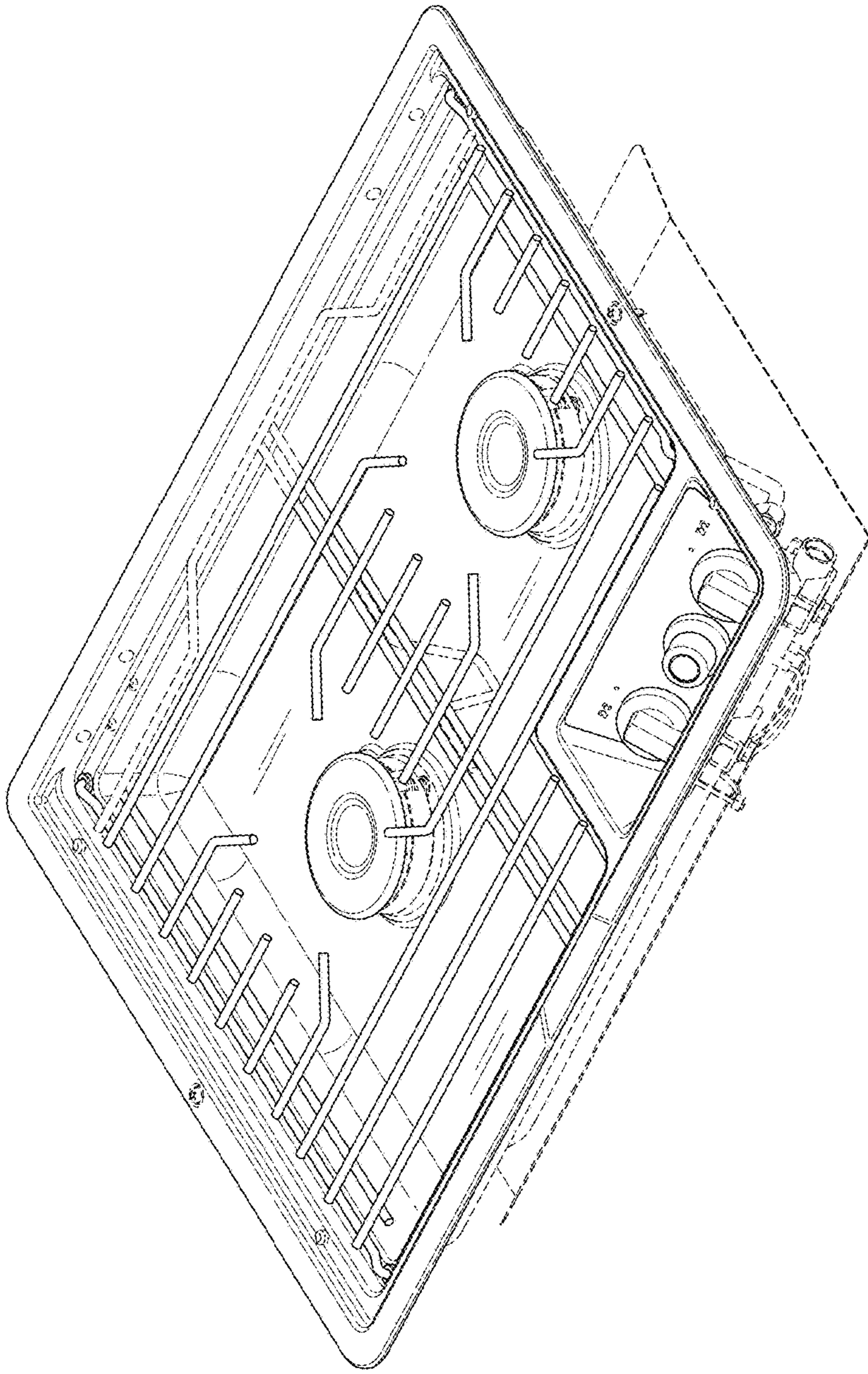


FIG. 1

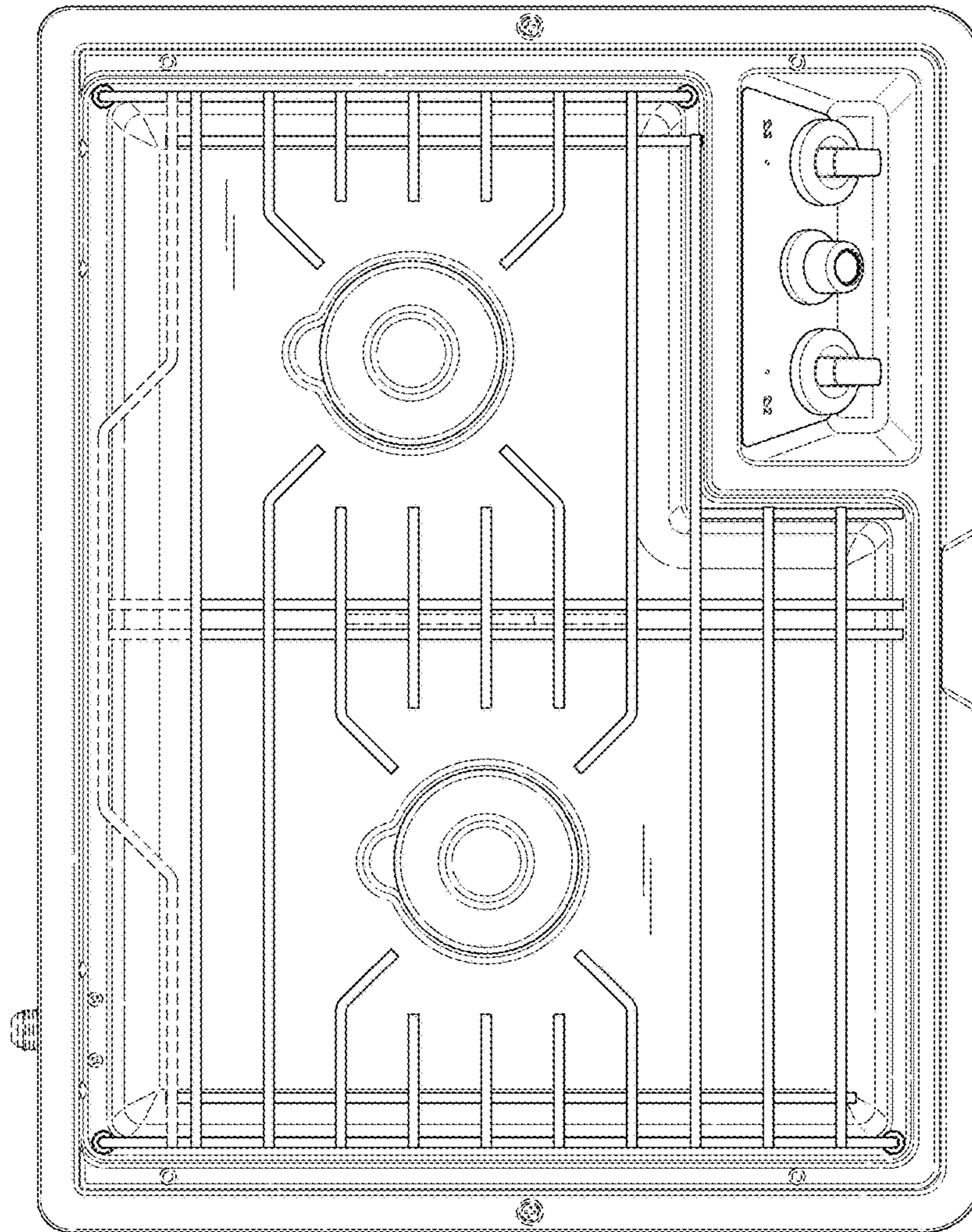


FIG. 2