



US00D851438S

(12) **United States Design Patent** (10) **Patent No.:** **US D851,438 S**
Rider et al. (45) **Date of Patent:** **** Jun. 18, 2019**

(54) **BEVERAGE EXTRACTOR**
(71) Applicant: **Coravin, Inc.**, Burlington, MA (US)
(72) Inventors: **Michael Rider**, Lowell, MA (US); **Otto DeRuntz**, Dunstable, MA (US); **Julianna Miller**, Boston, MA (US); **Scott Stropkay**, Carlisle, MA (US); **Mark Matthews**, Scituate, MA (US)
(73) Assignee: **Coravin, Inc.**, Burlington, MA (US)

D309,085 S 7/1990 Usbeck
5,012,703 A 5/1991 Reinbacher
5,020,395 A 6/1991 Mackey
D319,169 S 8/1991 van Asten
D332,899 S 2/1993 Shun
D333,412 S 2/1993 Levin
D333,947 S 3/1993 Markee et al.
D341,522 S 11/1993 Lamson et al.
D343,097 S 1/1994 Cesari et al.
D428,778 S 8/2000 Kao
D439,808 S 4/2001 McClean et al.

(Continued)

(**) Term: **15 Years**

OTHER PUBLICATIONS

(21) Appl. No.: **29/661,189**

U.S. Appl. No. 29/661,160, filed Aug. 24, 2018, Rider et al.

(22) Filed: **Aug. 24, 2018**

Primary Examiner — Marianne N Pandozzi
(74) *Attorney, Agent, or Firm* — Wolf, Greenfield & Sacks, P.C.

Related U.S. Application Data

(62) Division of application No. 29/572,405, filed on Jul. 27, 2016, now Pat. No. Des. 826,617.

(51) **LOC (11) Cl.** **07-01**

(52) **U.S. Cl.**
USPC **D7/306**; D7/665; D7/300; D7/312

(58) **Field of Classification Search**
USPC D7/665, 300, 306, 312, 313; D8/42;
222/400.7
CPC ... B65D 83/00; B67D 1/04; D67B 7/00; A47J
31/36
See application file for complete search history.

(57) **CLAIM**

The ornamental design for a beverage extractor, as shown and described.

DESCRIPTION

FIG. 1 is a left side view of a beverage extractor showing our new design, the right side view being a mirror image thereof; FIG. 2 is a front elevation view thereof; FIG. 3 is a rear elevation view thereof; FIG. 4 is a top plan view thereof; FIG. 5 is a bottom plan view thereof; FIG. 6 is a top, front, left side perspective view thereof, the top, front, right side perspective view being a mirror image of FIG. 6; and, FIG. 7 is a top, rear, left side perspective view thereof, the top, rear, right side perspective view being a mirror image of FIG. 7.

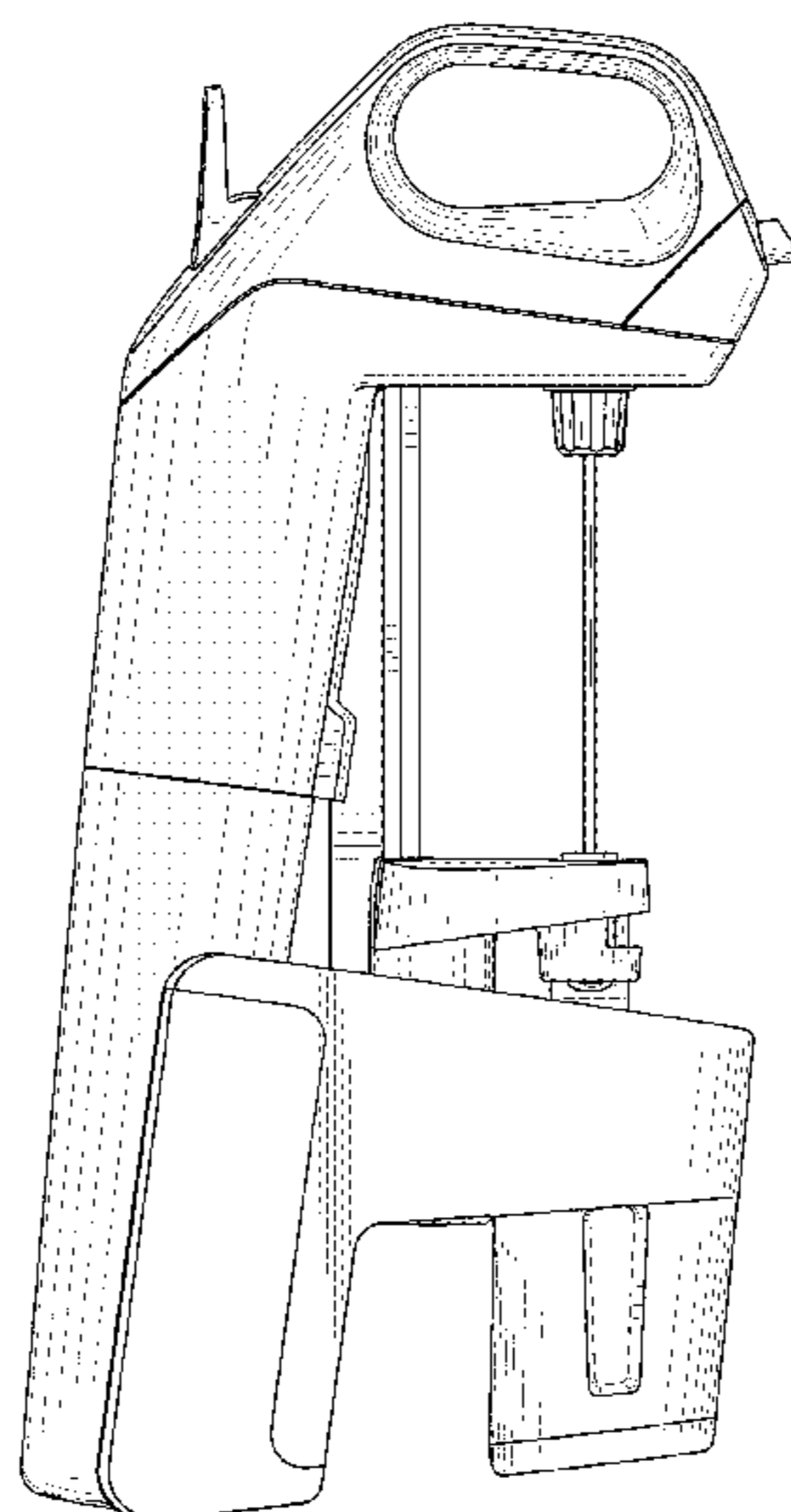
The broken lines of the figures represent portions of the beverage extractor that form no part of the claimed design.

(56) **References Cited**

U.S. PATENT DOCUMENTS

D249,441 S 9/1978 Fukumoto et al.
D268,245 S * 3/1983 Makino 81/3.2
D276,788 S * 12/1984 Ravreby D8/42
D285,898 S 9/1986 Stowell et al.
D288,521 S 3/1987 Van Asten
D290,329 S 6/1987 Bulto
4,791,834 A 12/1988 Federighi
D309,082 S 7/1990 Hattle et al.

1 Claim, 6 Drawing Sheets



(56)

References Cited

U.S. PATENT DOCUMENTS

D463,236 S 9/2002 Mauffette
 D464,241 S * 10/2002 Sun D8/39
 D464,535 S 10/2002 O'Flynn et al.
 6,477,920 B1 11/2002 Yang
 D466,772 S 12/2002 Mauffette
 6,502,481 B1 1/2003 Lin
 D471,408 S 3/2003 Fouquet
 D471,778 S * 3/2003 Federighi D8/42
 D477,757 S * 7/2003 Yu D8/42
 D488,678 S 4/2004 Berthier
 D491,423 S 6/2004 Stamper, III et al.
 D498,642 S 11/2004 Huang
 D501,370 S 2/2005 Hensel et al.
 D512,882 S 12/2005 Hsu
 D513,943 S 1/2006 Hsu
 D521,813 S 5/2006 Piret
 D522,321 S 6/2006 Hsu
 D526,182 S 8/2006 Jackson
 D527,607 S 9/2006 Jackson
 D528,873 S 9/2006 Hensel
 D537,303 S 2/2007 Stuckey
 D538,115 S 3/2007 Lin
 D538,116 S 3/2007 Siu
 D539,624 S 4/2007 Boussemart et al.
 D561,547 S 2/2008 Lee
 D601,391 S 10/2009 Chiang
 D610,416 S 2/2010 Kushner et al.
 7,712,637 B2 5/2010 Lambrecht
 7,717,027 B2 * 5/2010 Sato A47J 31/36
 99/284
 D616,716 S 6/2010 Chan
 D618,049 S 6/2010 Wu
 D623,908 S 9/2010 Wu
 D637,863 S 5/2011 Wu
 D637,864 S 5/2011 Wu
 D638,256 S 5/2011 Wu
 D638,665 S 5/2011 Wu
 D641,214 S 7/2011 Choi

D643,265 S 8/2011 Kim et al.
 8,033,431 B2 * 10/2011 Sommerfield B67D 1/0412
 222/129
 8,141,746 B2 3/2012 Lambrecht
 D660,660 S 5/2012 Kim
 D665,632 S 8/2012 Kim et al.
 D682,629 S 5/2013 Bachmann et al.
 D689,353 S 9/2013 Dockser et al.
 D700,477 S 3/2014 Kim
 D710,659 S 8/2014 Marquez et al.
 D716,615 S 11/2014 Grossman et al.
 D717,578 S 11/2014 Lazaris et al.
 D717,613 S 11/2014 Wong
 D718,094 S 11/2014 Yan
 D721,549 S 1/2015 Li
 9,010,588 B2 * 4/2015 Lambrecht B67D 1/0412
 141/17
 D733,504 S 7/2015 Choi
 D733,505 S 7/2015 Choi
 D739,686 S 9/2015 Benoit
 D740,080 S 10/2015 Shao et al.
 D741,119 S 10/2015 Wong
 D742,183 S 11/2015 Kim et al.
 D743,737 S 11/2015 Benoit et al.
 D755,554 S 5/2016 Lazaris et al.
 D778,125 S 2/2017 Metaxatos et al.
 D792,729 S * 7/2017 Adewuyi D7/306
 D794,401 S * 8/2017 Chen D7/300
 D795,026 S * 8/2017 Fouquet D7/665
 D799,879 S * 10/2017 Shmueli D7/306
 D801,129 S * 10/2017 Metaxatos D7/665
 D802,976 S * 11/2017 Buchik D7/313
 D826,617 S 8/2018 Rider et al.
 2003/0033907 A1 2/2003 Lian
 2004/0226409 A1 11/2004 Lin
 2011/0056998 A1 3/2011 Lambrecht
 2014/0183227 A1 * 7/2014 Barnini B67D 1/0412
 222/152
 2016/0044951 A1 2/2016 Bucklew et al.
 2016/0066616 A1 3/2016 Yamaguchi et al.

* cited by examiner

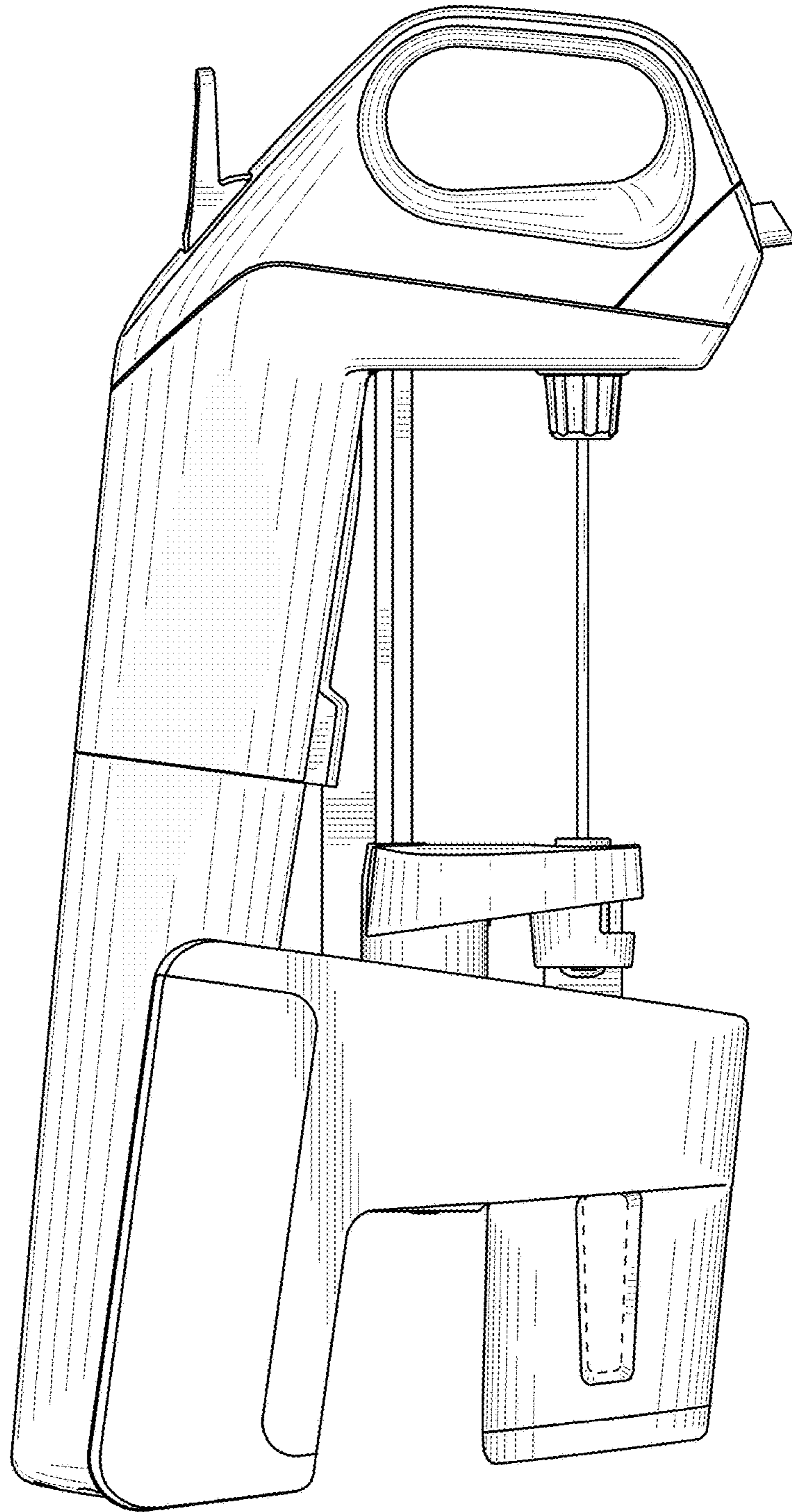


FIG. 1

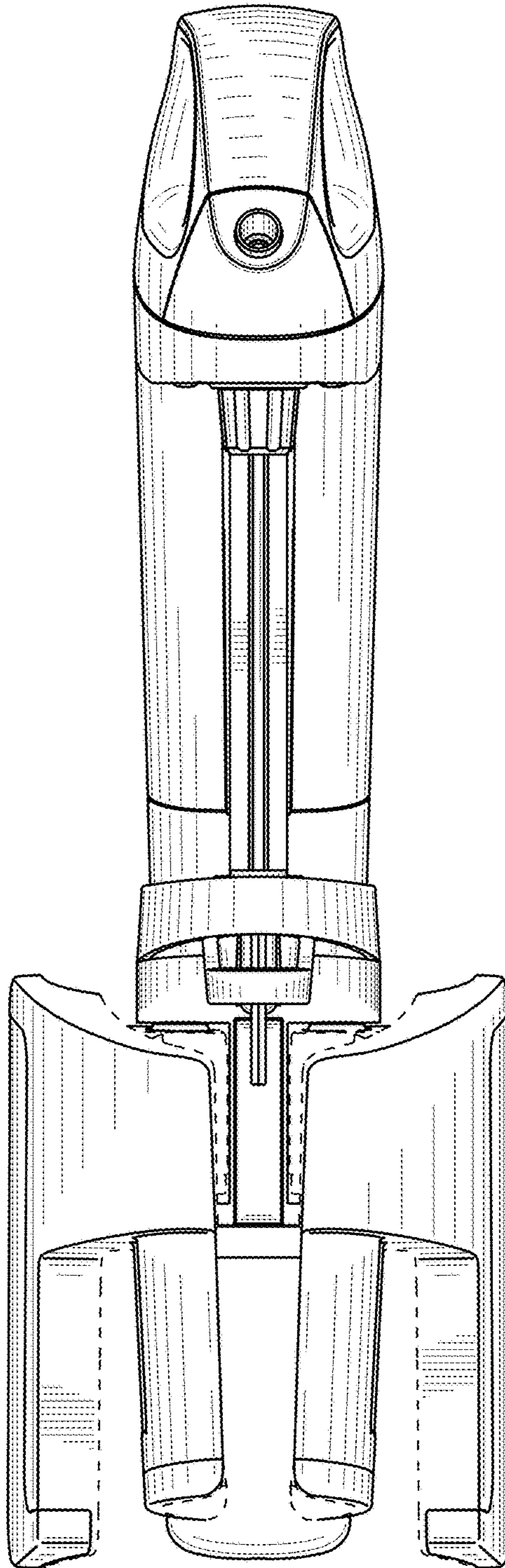


FIG. 2

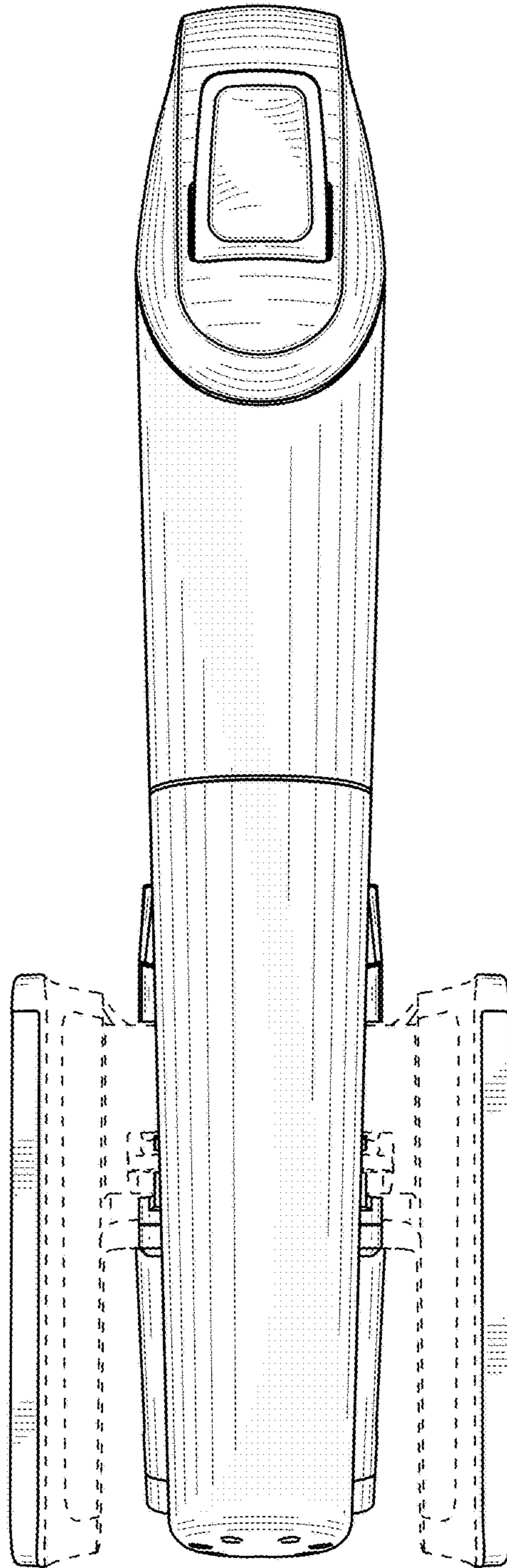


FIG. 3

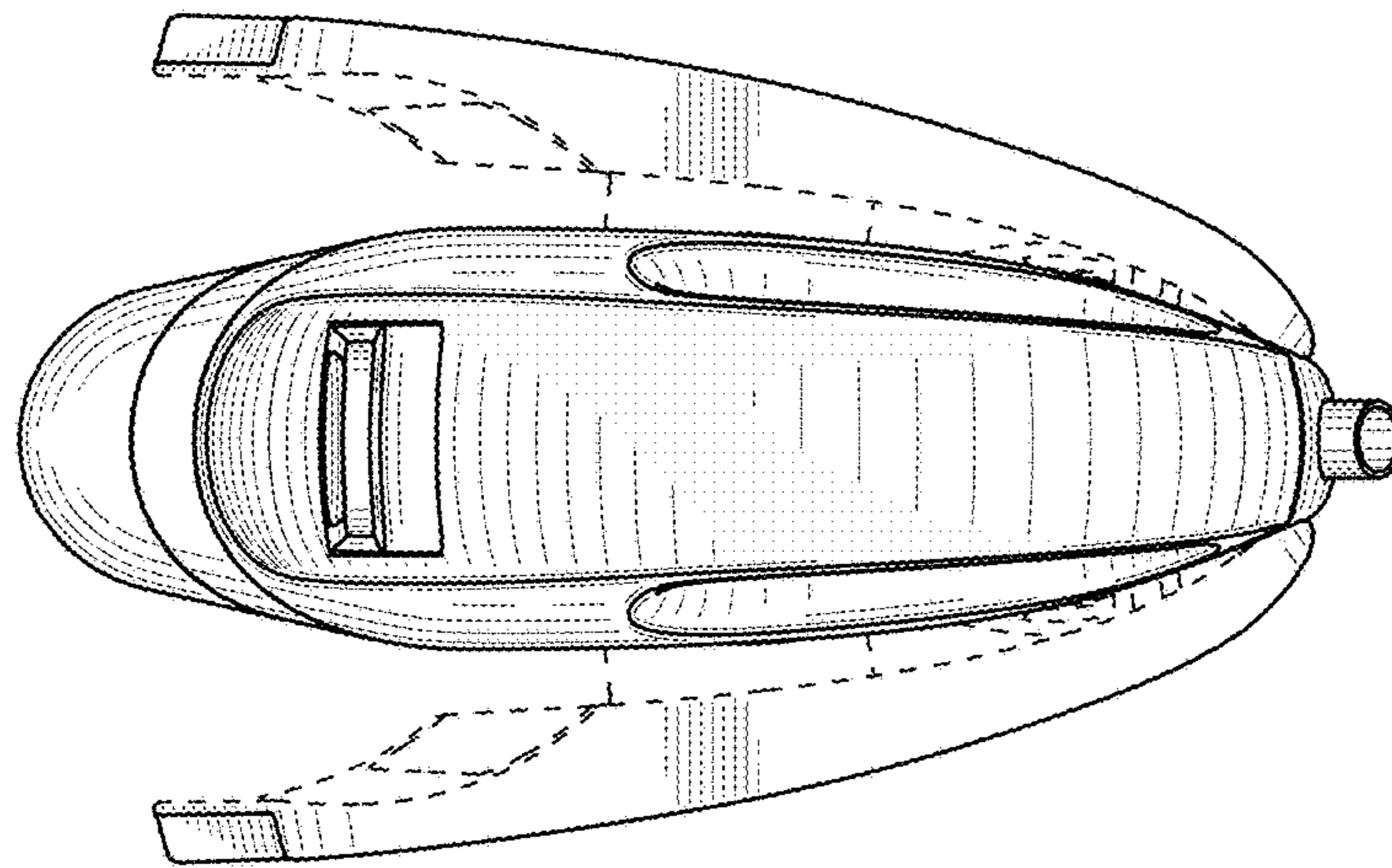


FIG. 4

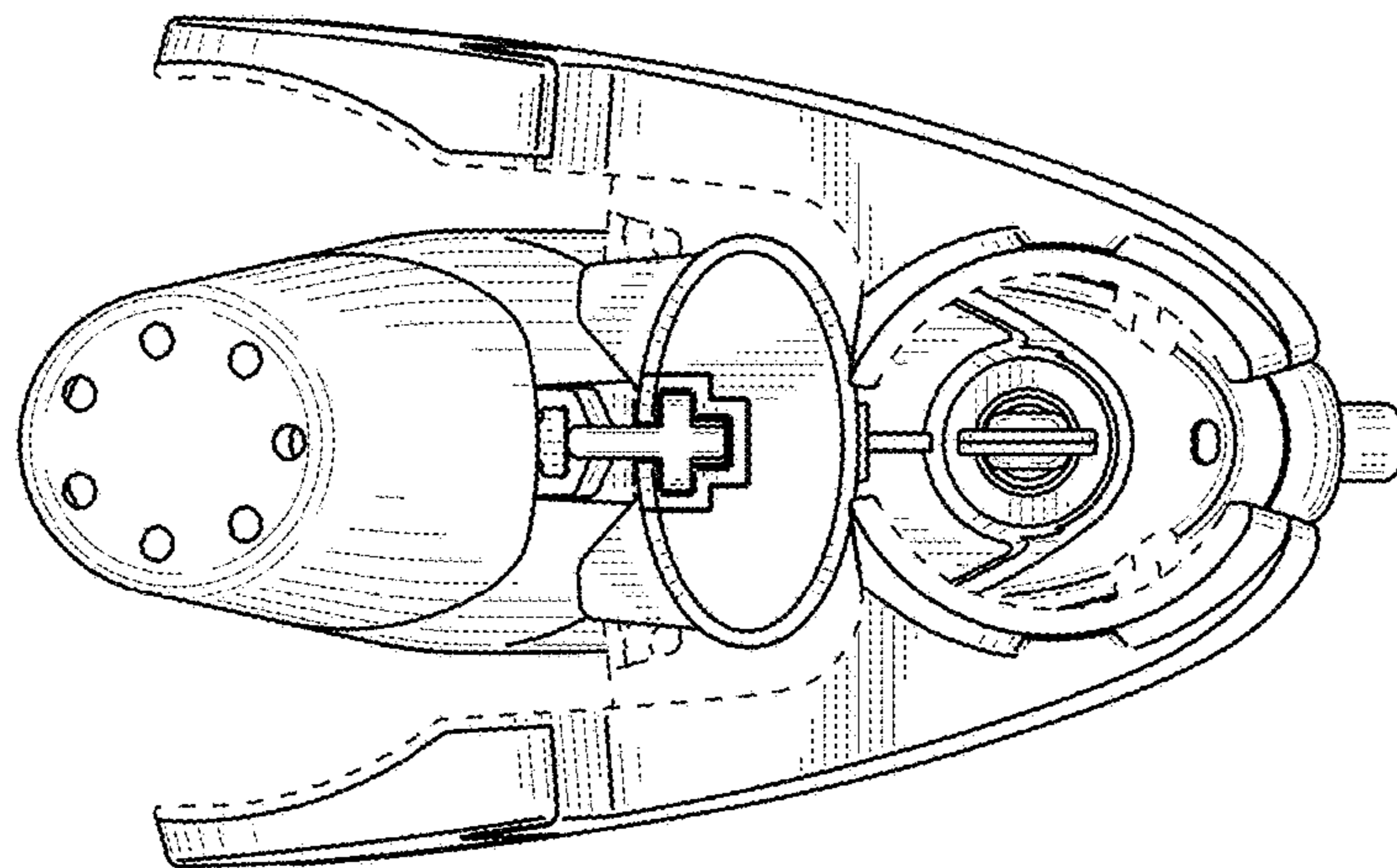


FIG. 5

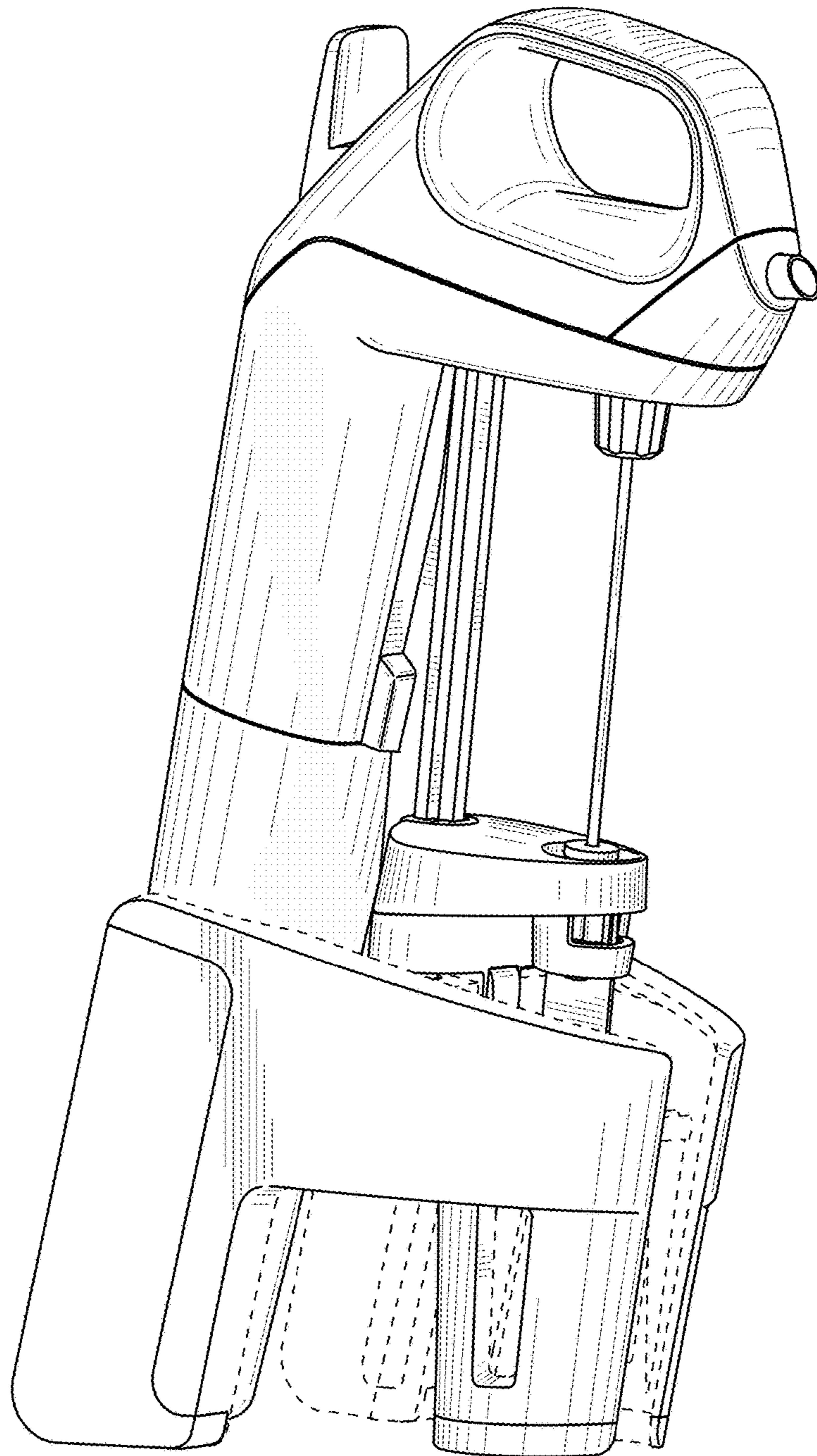


FIG. 6

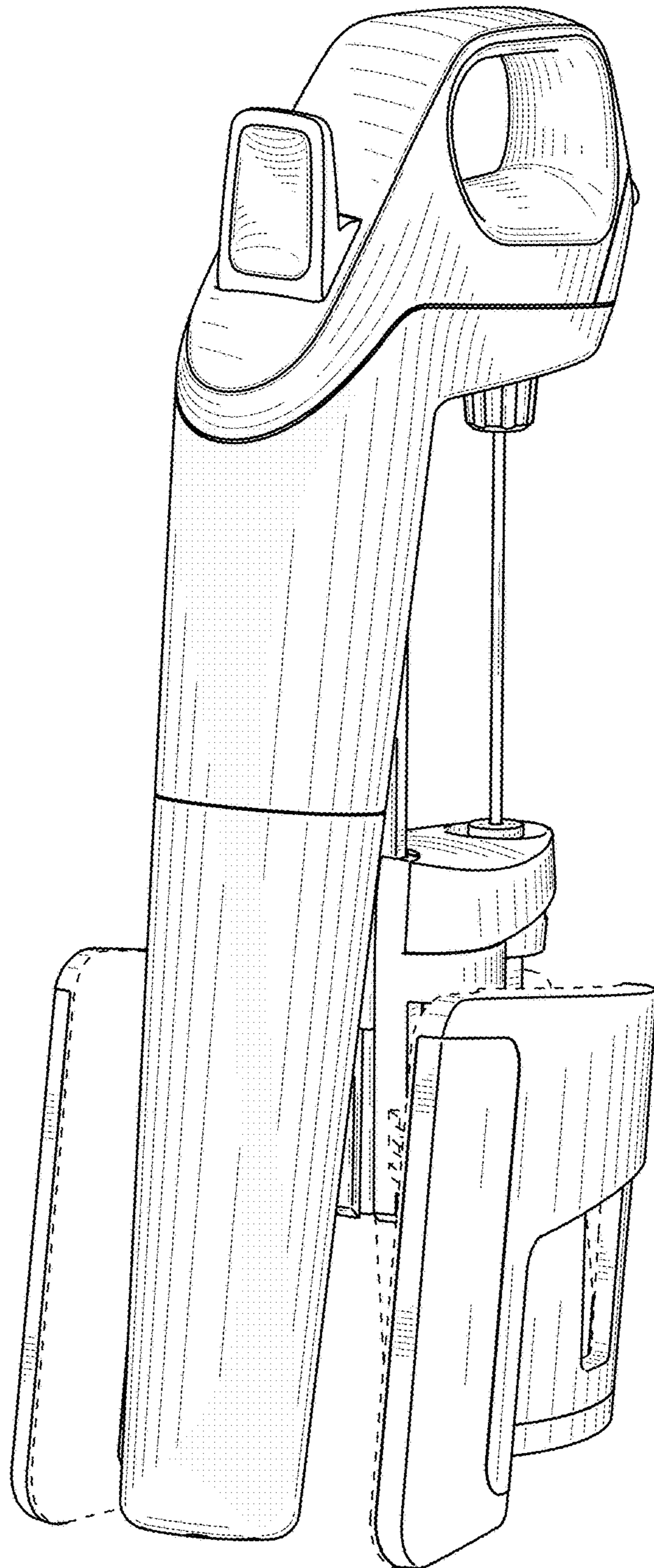


FIG. 7