



US00D851437S

(12) **United States Design Patent**  
**Carty**

(10) **Patent No.:** **US D851,437 S**

(45) **Date of Patent:** **\*\* Jun. 18, 2019**

(54) **HAMMOCK STAND**

D580,667 S \* 11/2008 Lee ..... D6/355  
D764,203 S \* 8/2016 Fang ..... D6/387

(71) Applicant: **Doug L Carty**, Jaffrey, NH (US)

\* cited by examiner

(72) Inventor: **Doug L Carty**, Jaffrey, NH (US)

*Primary Examiner* — Cathron C Brooks

(\*\*) Term: **15 Years**

(74) *Attorney, Agent, or Firm* — Gulf Coast Intellectual Property Group

(21) Appl. No.: **29/634,268**

(22) Filed: **Jan. 19, 2018**

(51) **LOC (11) Cl.** ..... **06-06**

(52) **U.S. Cl.**

USPC ..... **D6/718.11; D6/387**

(58) **Field of Classification Search**

USPC ..... D6/385–387, 718.1, 718.11, 718.12

CPC ..... A47C 4/28; A45F 3/22; A45F 3/24

See application file for complete search history.

(57) **CLAIM**

The ornamental design for the hammock stand, as shown and described.

**DESCRIPTION**

FIG. 1 is a rear side view of the hammock stand; and

FIG. 2 is a front side thereof; and

FIG. 3 is a right side view thereof; and

FIG. 4 is a left side view thereof; and,

FIG. 5 is a perspective view thereof.

Wherein the dotted lines illustrated herein form no part of the claimed design and are illustrated for the purpose of use and environment.

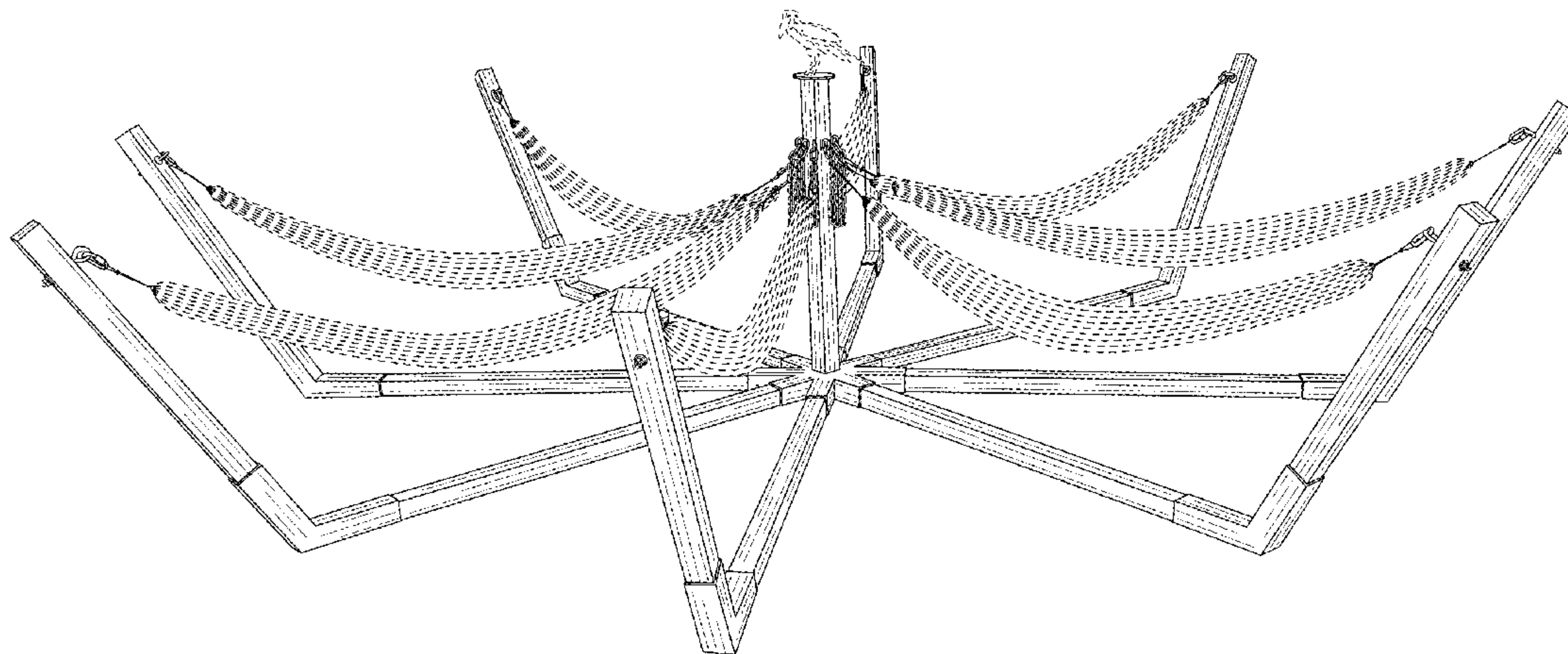
(56) **References Cited**

U.S. PATENT DOCUMENTS

5,113,537 A \* 5/1992 Turk ..... A45F 3/22  
135/90

7,243,383 B1 \* 7/2007 Hennessy ..... A45F 3/24  
5/127

**1 Claim, 5 Drawing Sheets**



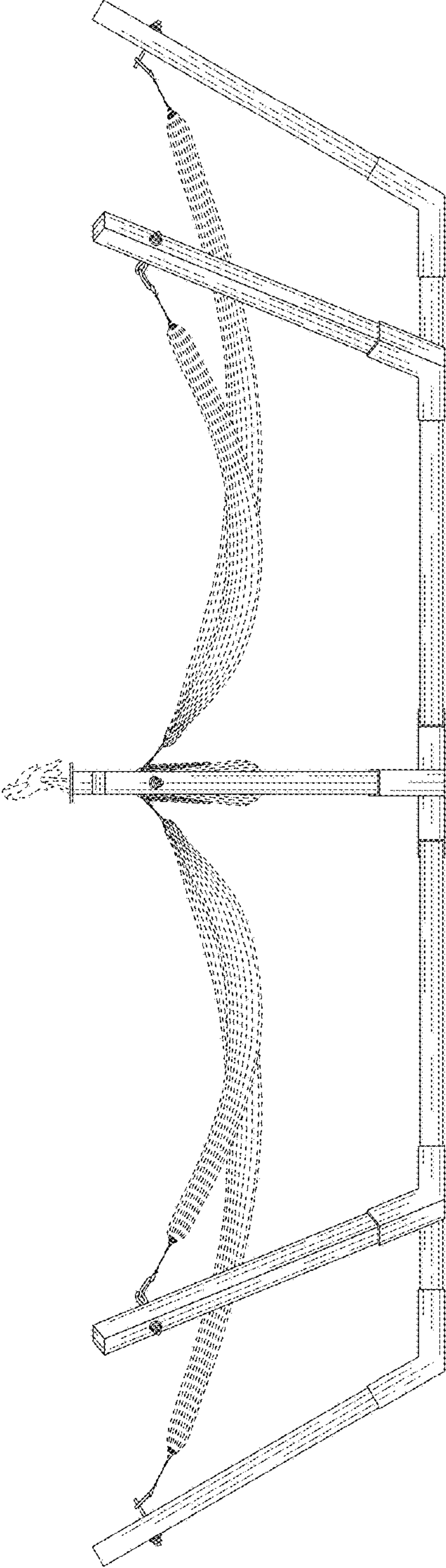


FIG. 1

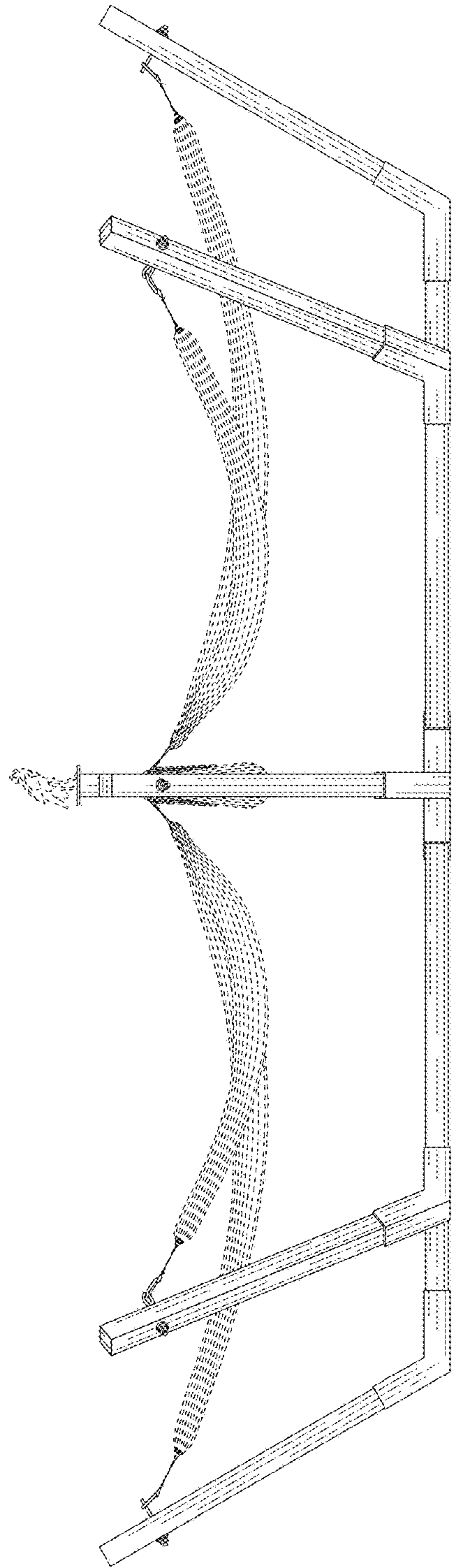


FIG. 2

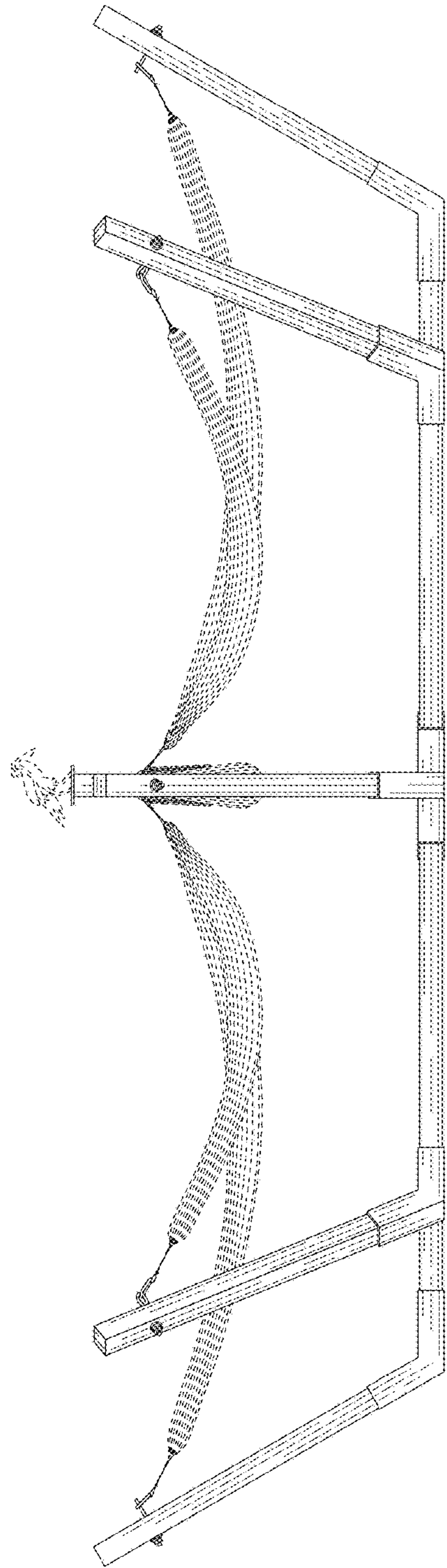


FIG. 3



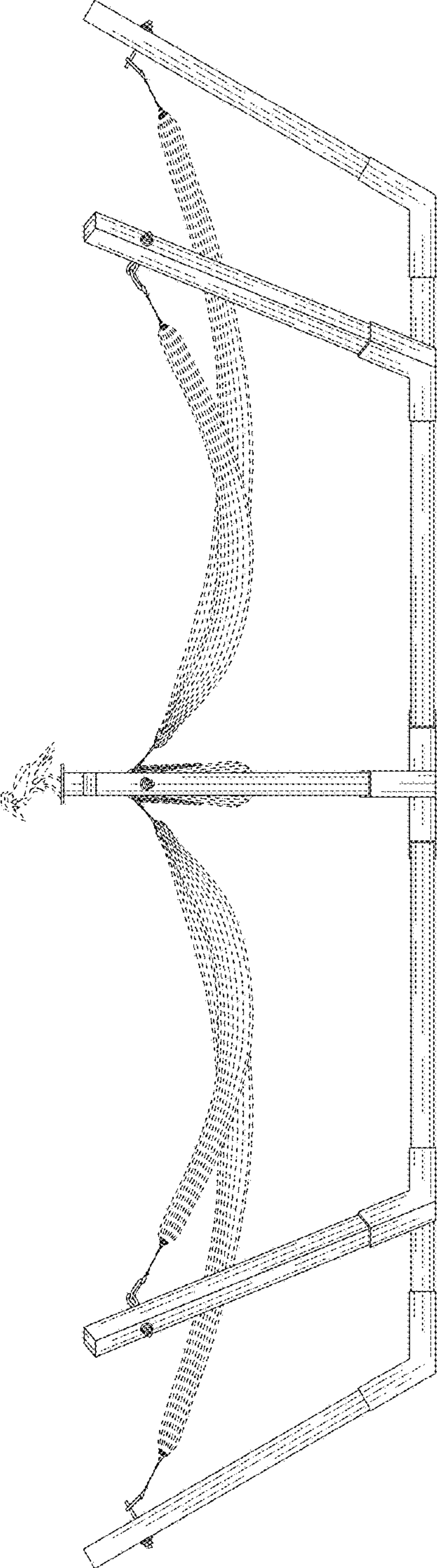


FIG. 4

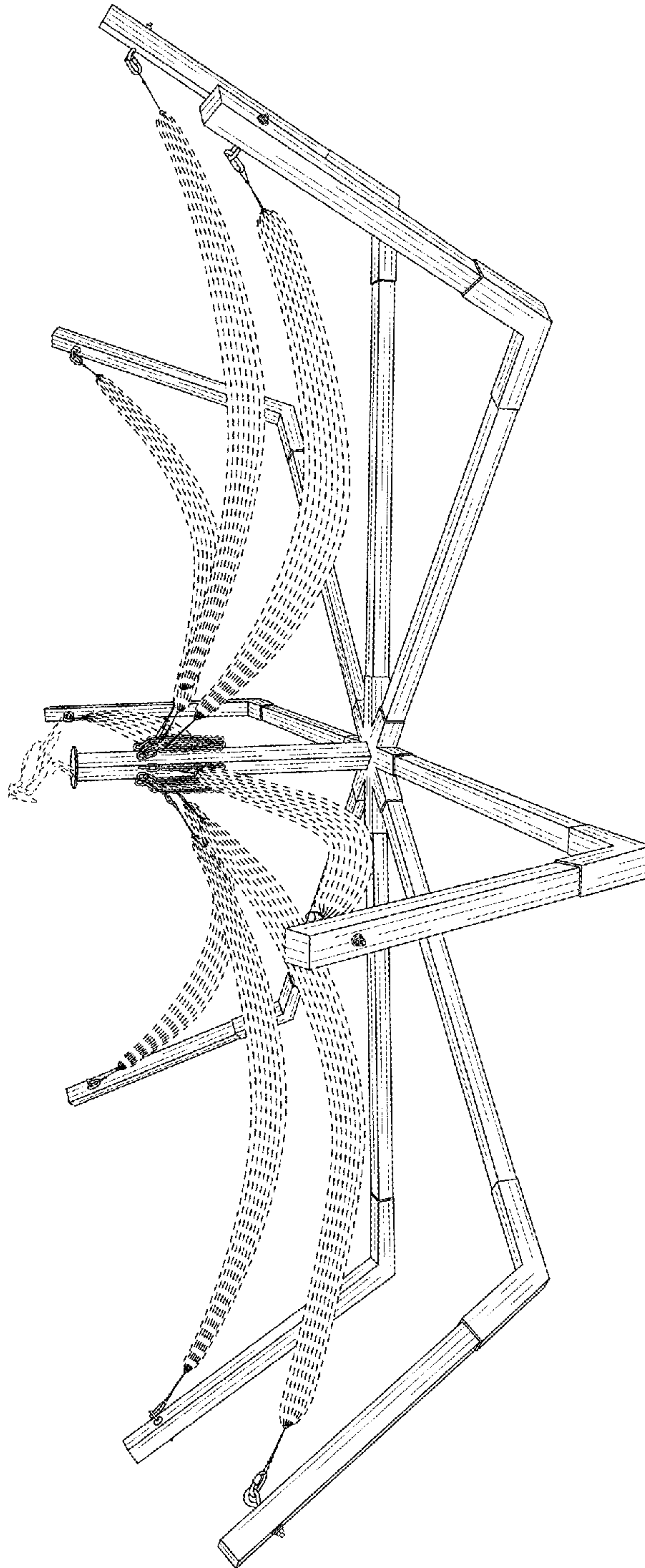


FIG. 5