



US00D851436S

(12) **United States Design Patent**
Shen

(10) **Patent No.:** **US D851,436 S**
(45) **Date of Patent:** **** Jun. 18, 2019**

(54) **OFFICE CHAIR**

(71) Applicant: **Yinuo Shen**, Cixi (CN)

(72) Inventor: **Yinuo Shen**, Cixi (CN)

(**) Term: **15 Years**

(21) Appl. No.: **29/678,786**

(22) Filed: **Jan. 31, 2019**

Related U.S. Application Data

(63) Continuation-in-part of application No. 29/656,310, filed on Jul. 11, 2018.

(51) **LOC (11) Cl.** **06-01**

(52) **U.S. Cl.**

USPC **D6/716; D6/366**

(58) **Field of Classification Search**

USPC D6/334-336, 356, 364, 365, 366, 367, D6/374, 375, 379, 380, 716, 716.1, 716.3, D6/716.4

CPC A47C 4/028; A47C 7/022; A47C 7/18; A47C 7/38; A47C 7/40; B60N 2/02; B60N 2/22; B60N 2/58

See application file for complete search history.

(56) **References Cited**

U.S. PATENT DOCUMENTS

D509,077 S * 9/2005 Beermann D6/356
D532,211 S 11/2006 Su

D542,547 S 5/2007 Su
D549,475 S 8/2007 Su
7,753,451 B2 * 7/2010 Maebert B60N 2/20
297/344.11
D807,072 S * 1/2018 Mao D6/366
D809,313 S 2/2018 Mao et al.
D811,145 S * 2/2018 Li D6/716
2011/0057498 A1 * 3/2011 Fujita B60N 2/58
297/452.18

* cited by examiner

Primary Examiner — Mimososa De

(57) **CLAIM**

The ornamental design for an office chair, as shown and described.

DESCRIPTION

FIG. 1 is a perspective view of an office chair showing my new design;
FIG. 2 is another perspective view thereof;
FIG. 3 is a front elevational view thereof;
FIG. 4 is a rear elevational view thereof;
FIG. 5 is a left side elevational view thereof;
FIG. 6 is a right side elevational view thereof;
FIG. 7 is a top plan view thereof; and,
FIG. 8 is a bottom plan view thereof.
The broken lines in the drawings illustrate portions of the office chair that form no part of the claimed design.

1 Claim, 8 Drawing Sheets

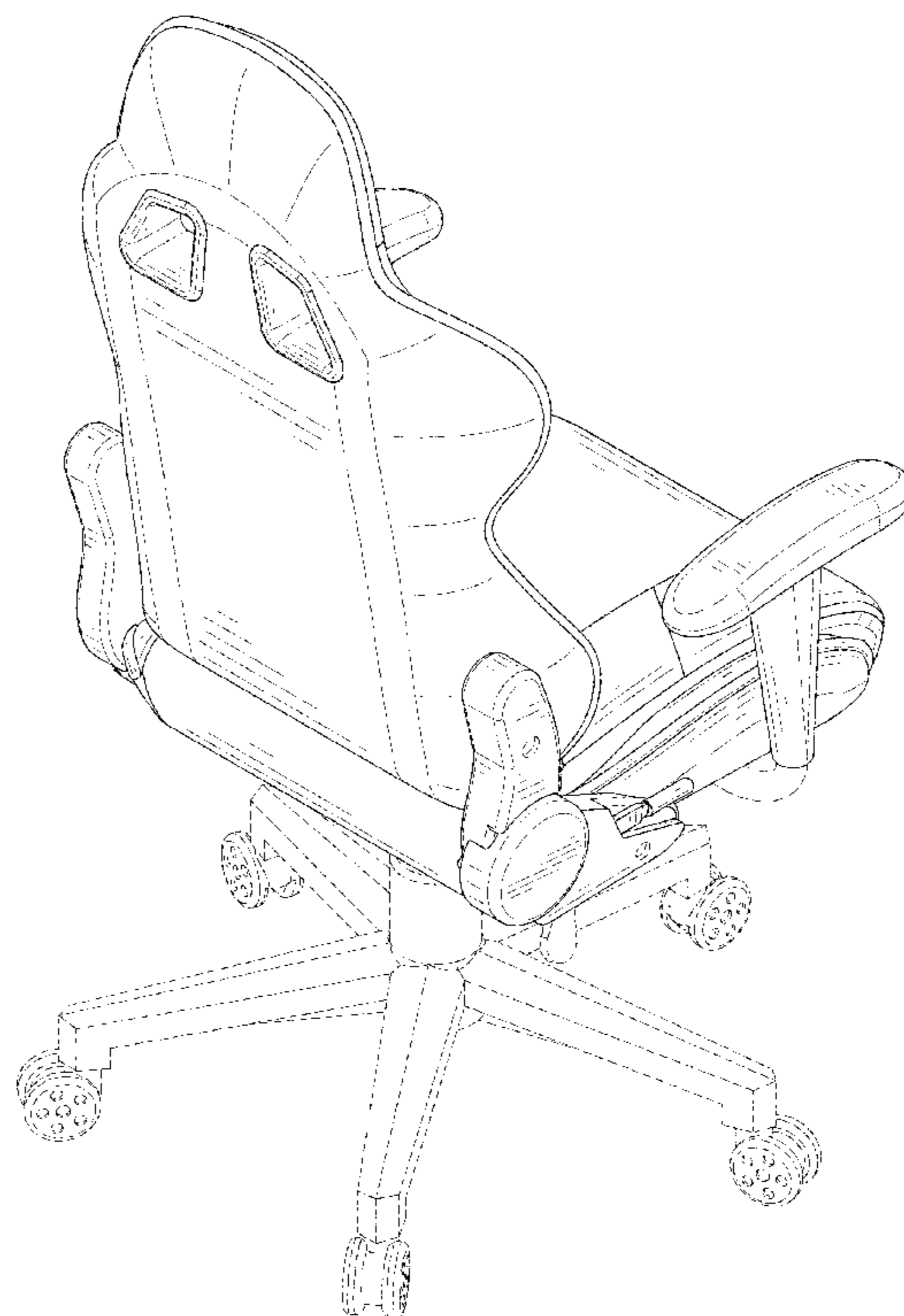
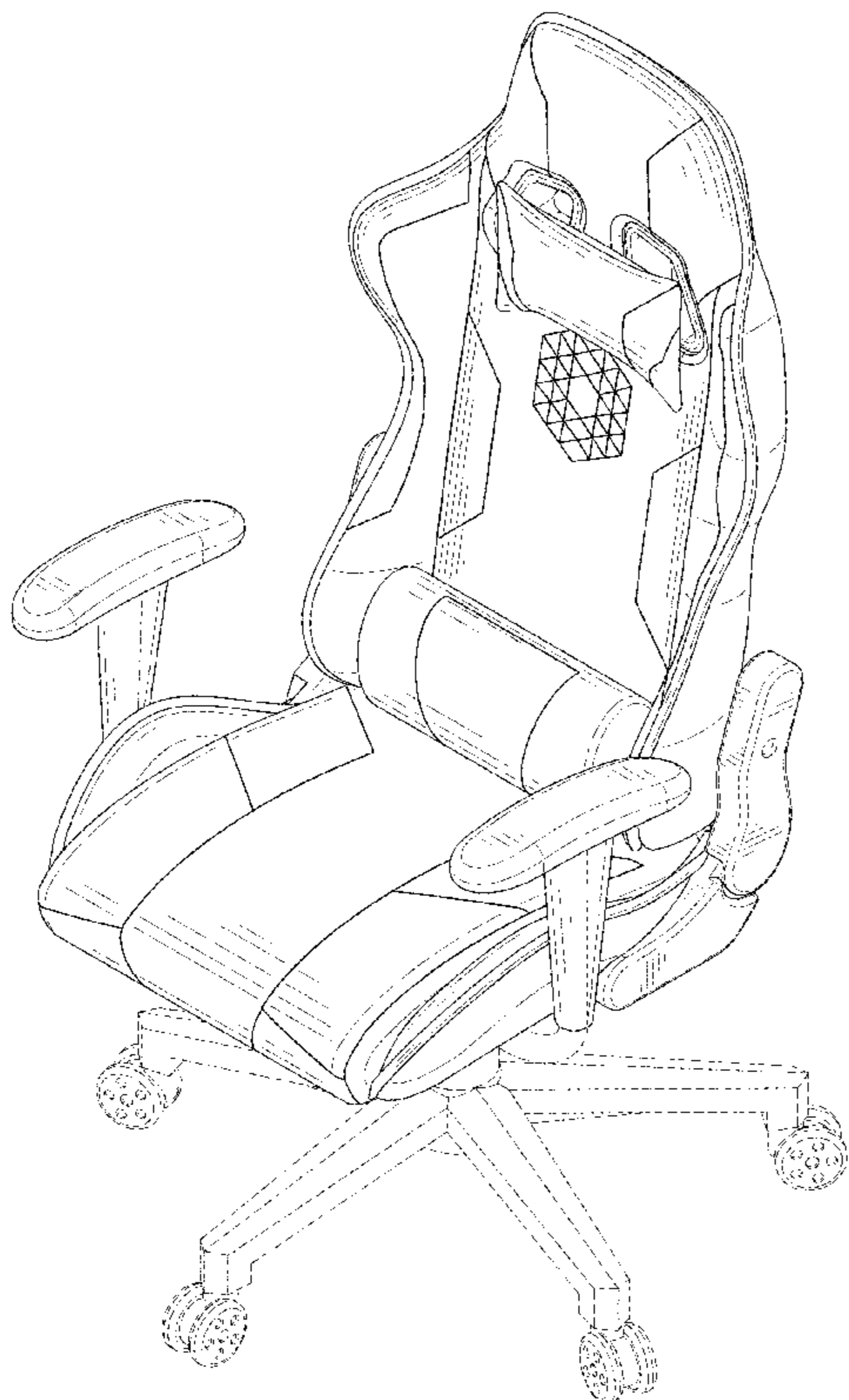




FIG. 1

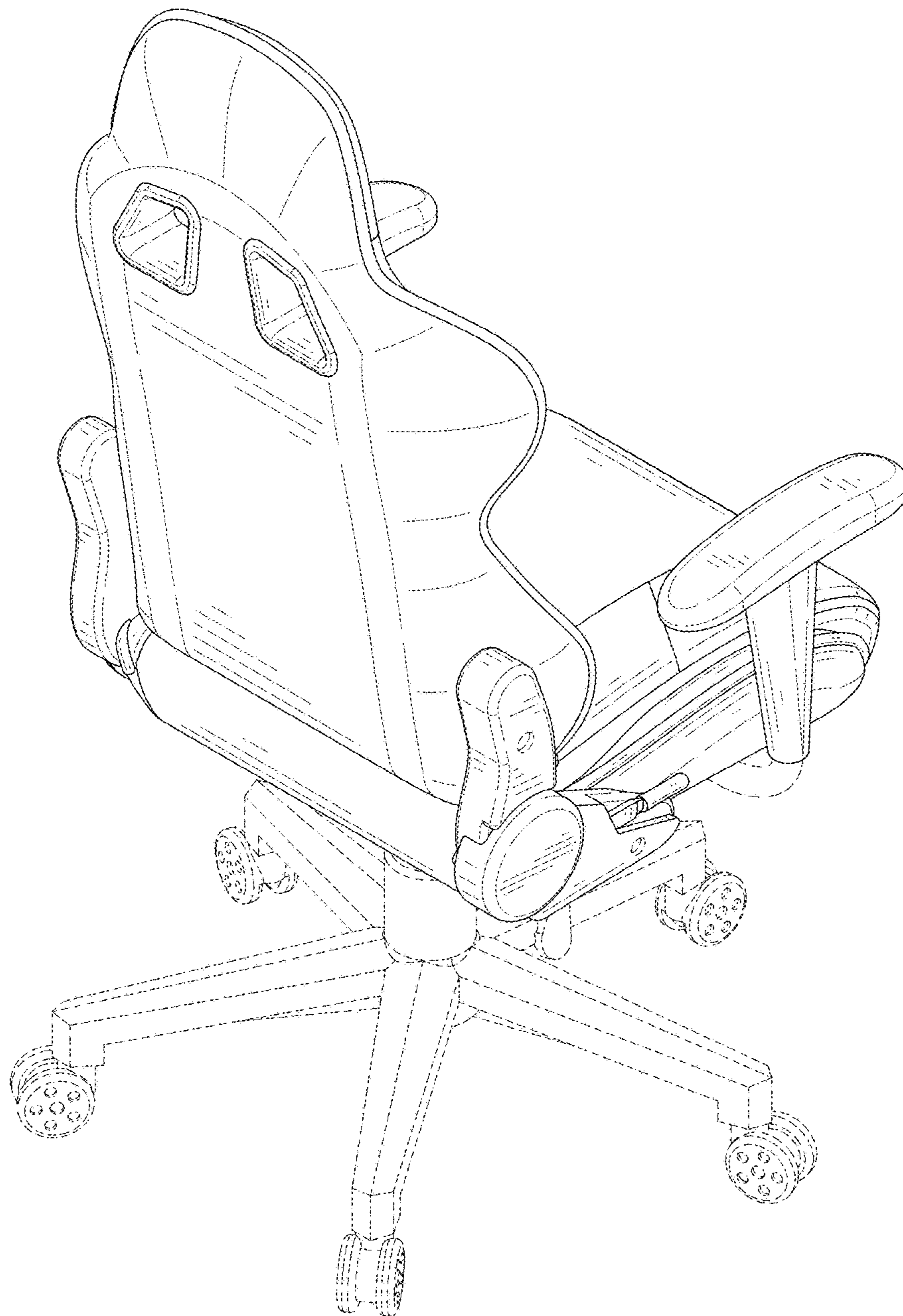


FIG. 2

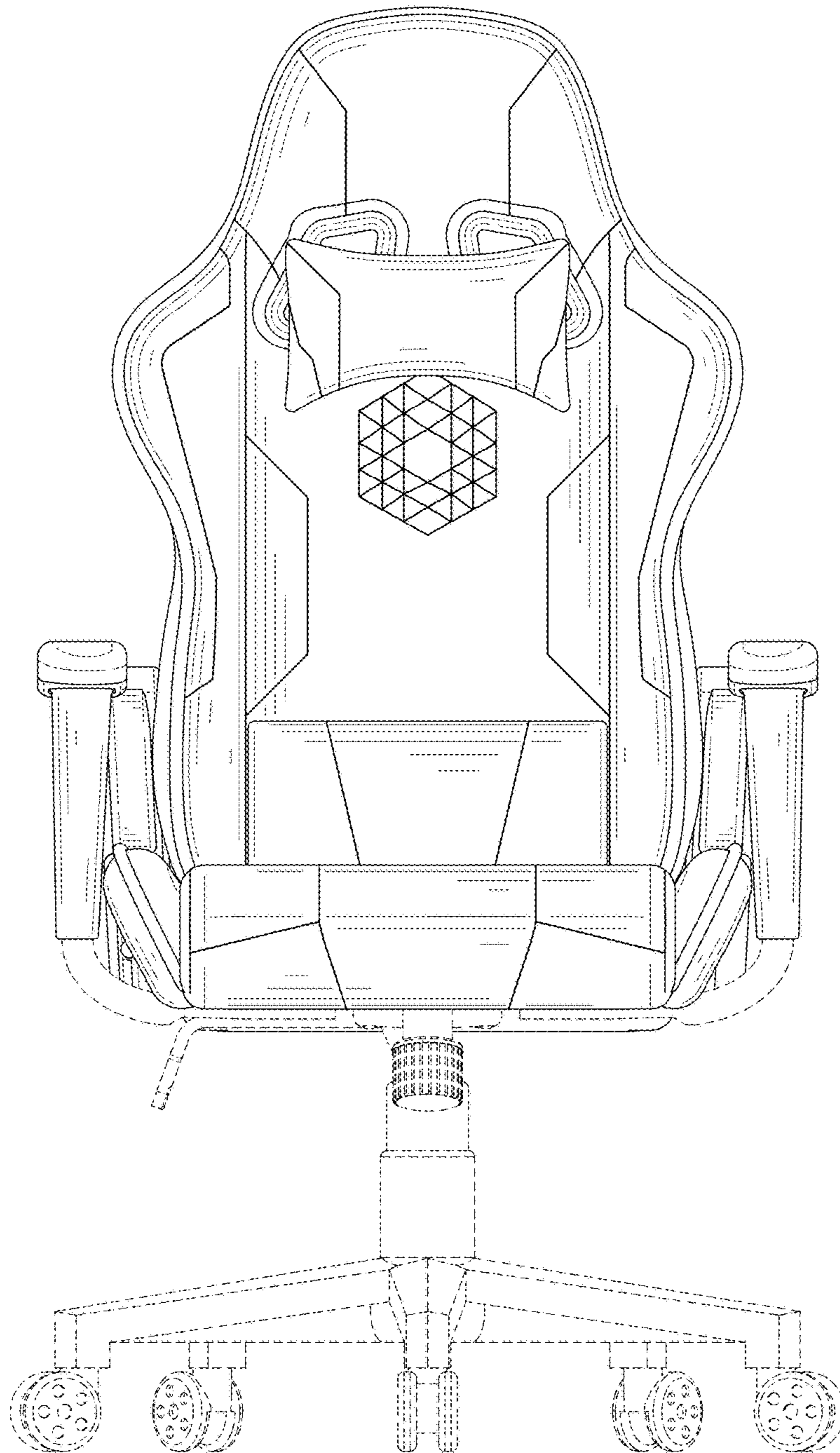


FIG. 3

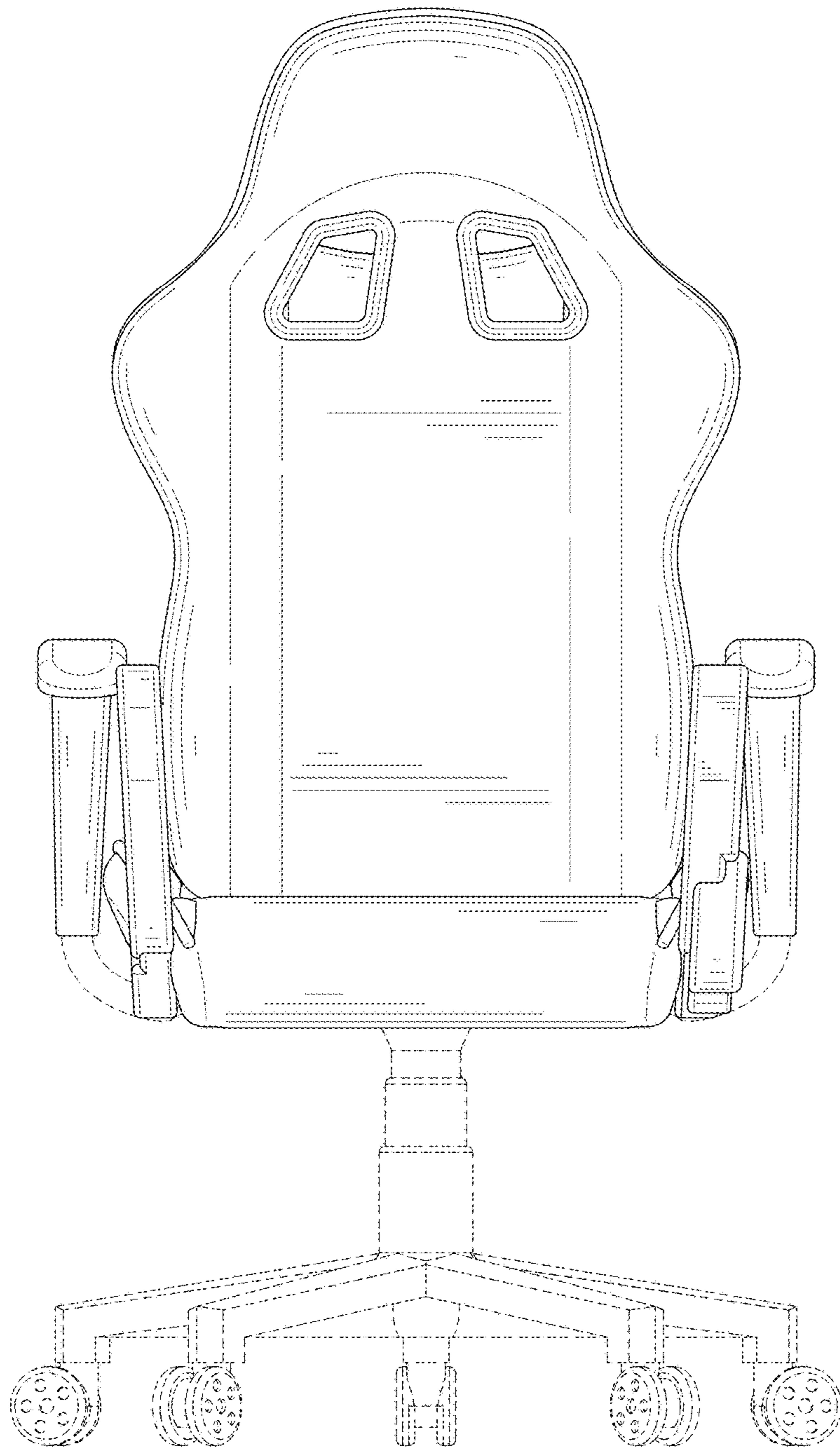


FIG. 4

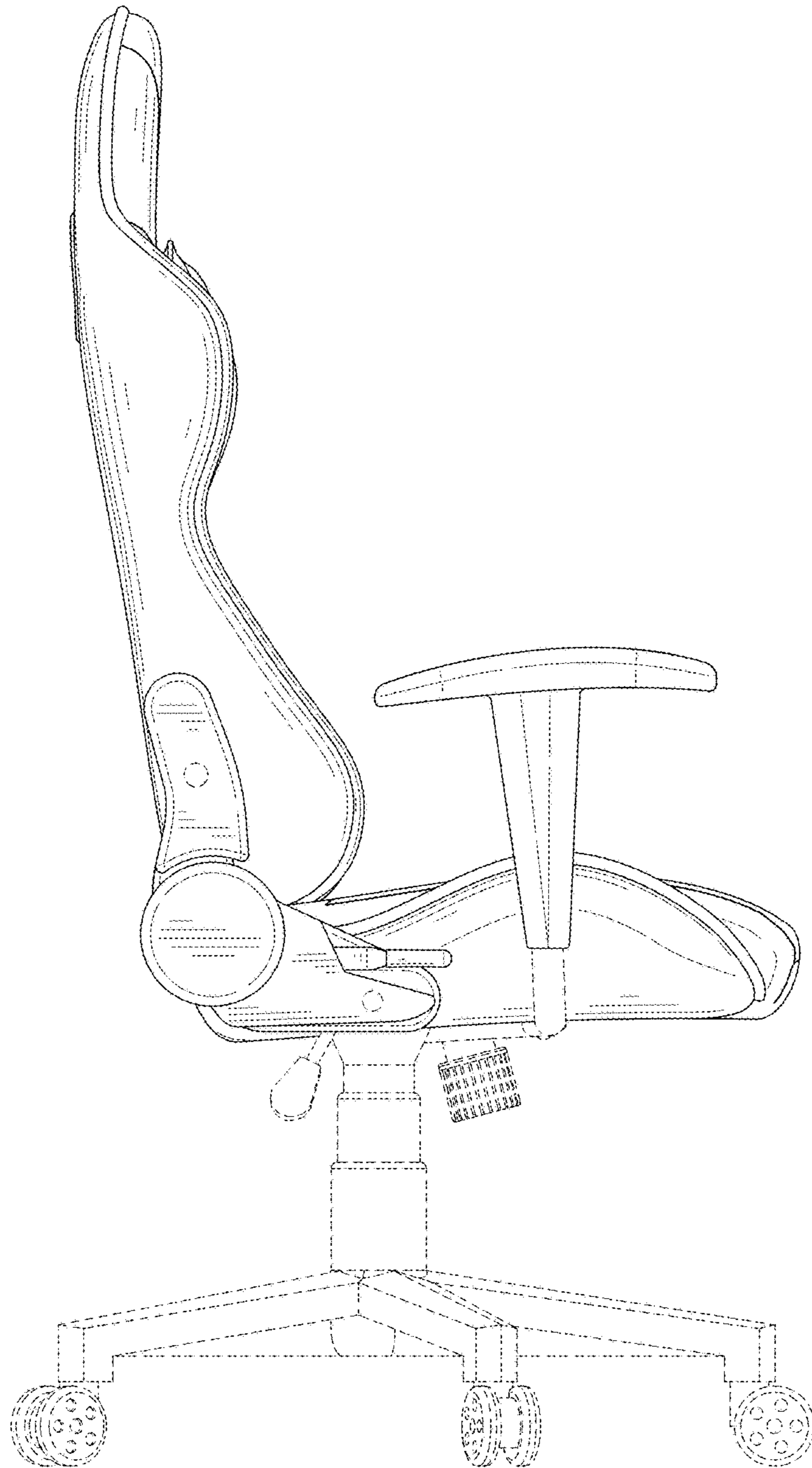


FIG. 5

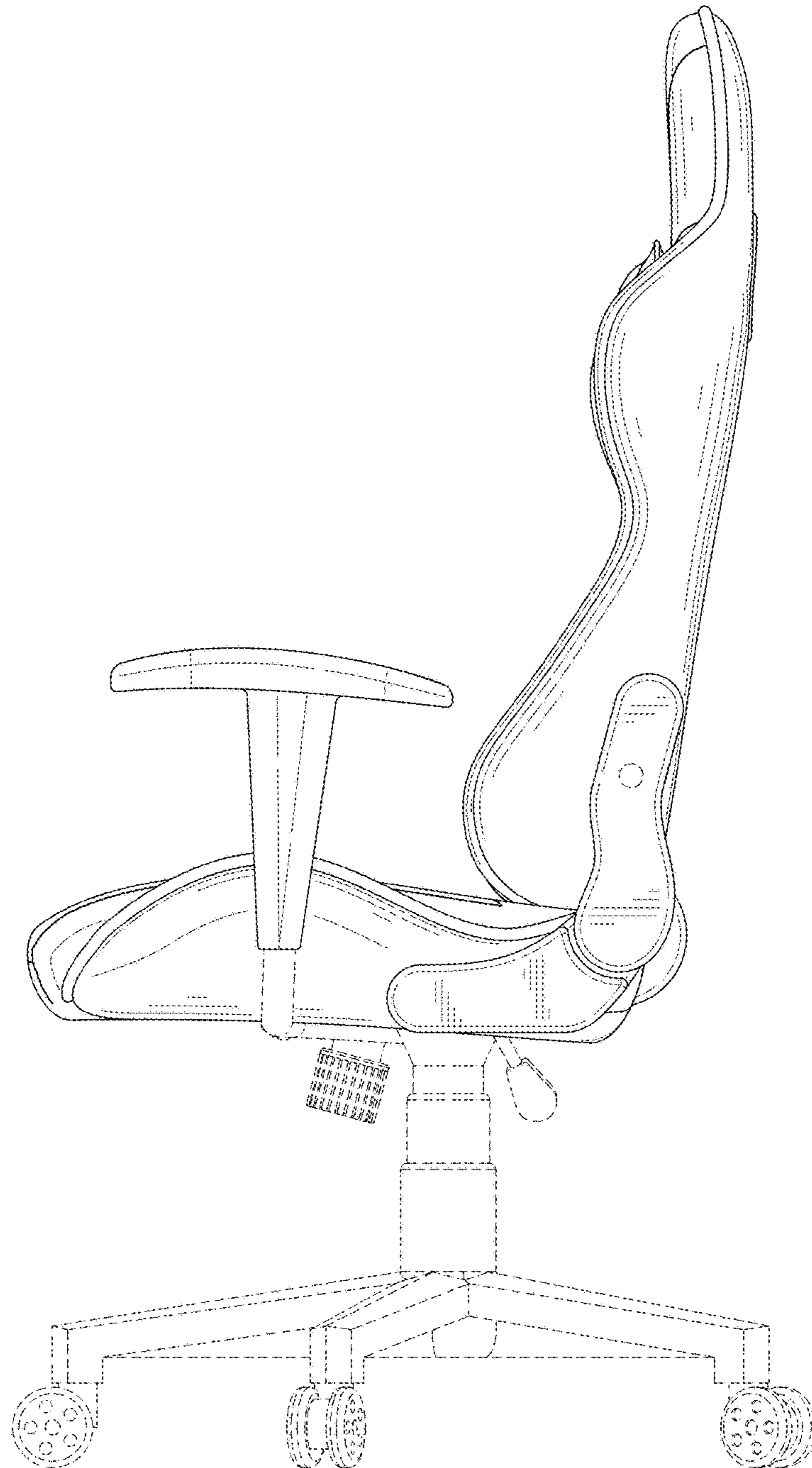


FIG. 6

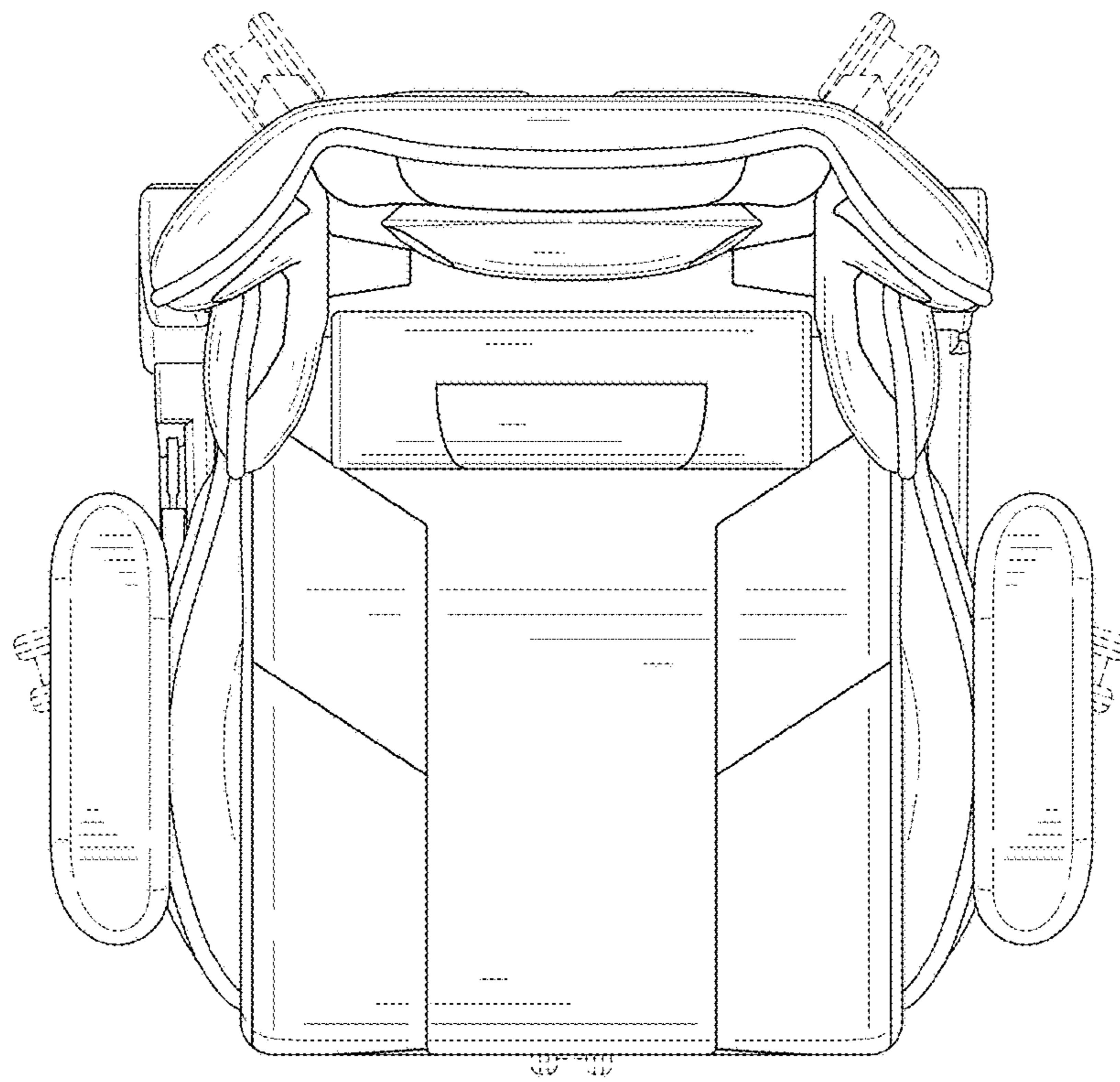


FIG. 7

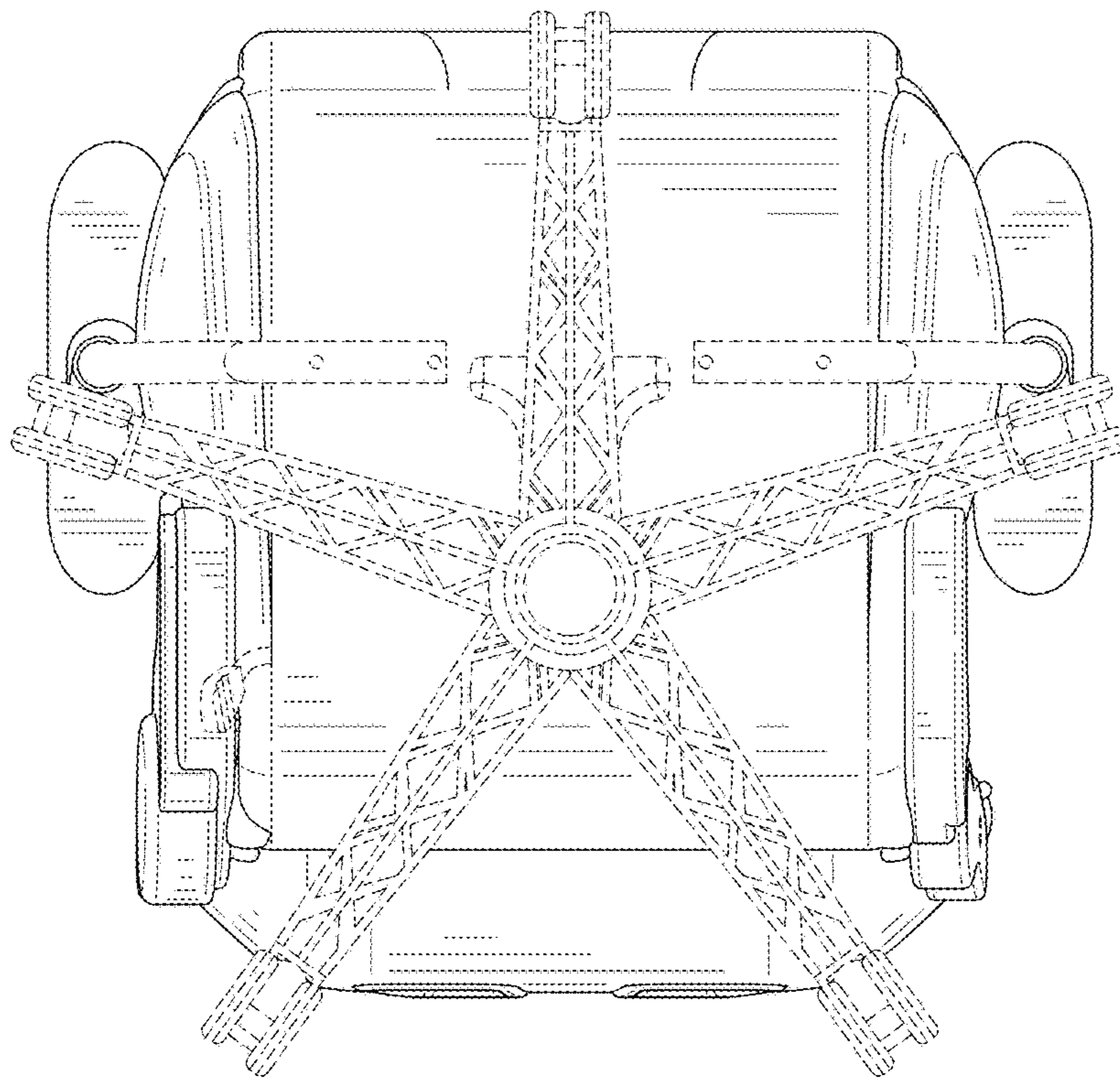


FIG. 8