



US00D851435S

(12) **United States Design Patent**  
**Shen**

(10) **Patent No.:** **US D851,435 S**  
(45) **Date of Patent:** **\*\* Jun. 18, 2019**

(54) **OFFICE CHAIR**

(71) Applicant: **NINGBO MEIYING ELECTRONIC TECHNOLOGY CO., LTD**, Ningbo (CN)

(72) Inventor: **Yinuo Shen**, Cixi (CN)

(73) Assignee: **NINGBO MEIYING ELECTRONIC TECHNOLOGY CO., LTD**, Ningbo (CN)

(\*\*) Term: **15 Years**

(21) Appl. No.: **29/676,792**

(22) Filed: **Jan. 15, 2019**

**Related U.S. Application Data**

(63) Continuation-in-part of application No. 29/656,310, filed on Jul. 11, 2018.

(51) **LOC (11) Cl.** ..... **06-01**

(52) **U.S. Cl.**  
USPC ..... **D6/716; D6/366**

(58) **Field of Classification Search**  
USPC ..... D6/334-336, 356, 364, 365, 366, 367, D6/374, 375, 379, 380, 716, 716.1, 716.3, D6/716.4  
CPC ..... A47C 4/028; A47C 7/022; A47C 7/18; A47C 7/38; A47C 7/40; B60N 2/02; B60N 2/22; B60N 2/58

See application file for complete search history.

(56) **References Cited**

U.S. PATENT DOCUMENTS

D509,077	S	*	9/2005	Beermann	.....	D6/356
D532,211	S		11/2006	Su		
D542,547	S		5/2007	Su		
D549,475	S		8/2007	Su		
7,753,451	B2	*	7/2010	Maebert	.....	B60N 2/20 297/344.11
D807,072	S	*	1/2018	Mao	.....	D6/366
D809,313	S		2/2018	Mao et al.		
D811,145	S	*	2/2018	Li	.....	D6/716
2011/0057498	A1	*	3/2011	Fujita	.....	B60N 2/58 297/452.18

\* cited by examiner

*Primary Examiner* — Mimosa De

(57) **CLAIM**

The ornamental design for an office chair, as shown and described.

**DESCRIPTION**

FIG. 1 is a perspective view of an office chair showing my new design;  
FIG. 2 is another perspective view thereof;  
FIG. 3 is a front elevational view thereof;  
FIG. 4 is a rear elevational view thereof;  
FIG. 5 is a left side elevational view thereof;  
FIG. 6 is a right side elevational view thereof;  
FIG. 7 is a top plan view thereof; and,  
FIG. 8 is a bottom plan view thereof.  
The broken lines in the drawings illustrate portions of the office chair that form no part of the claimed design.

**1 Claim, 8 Drawing Sheets**

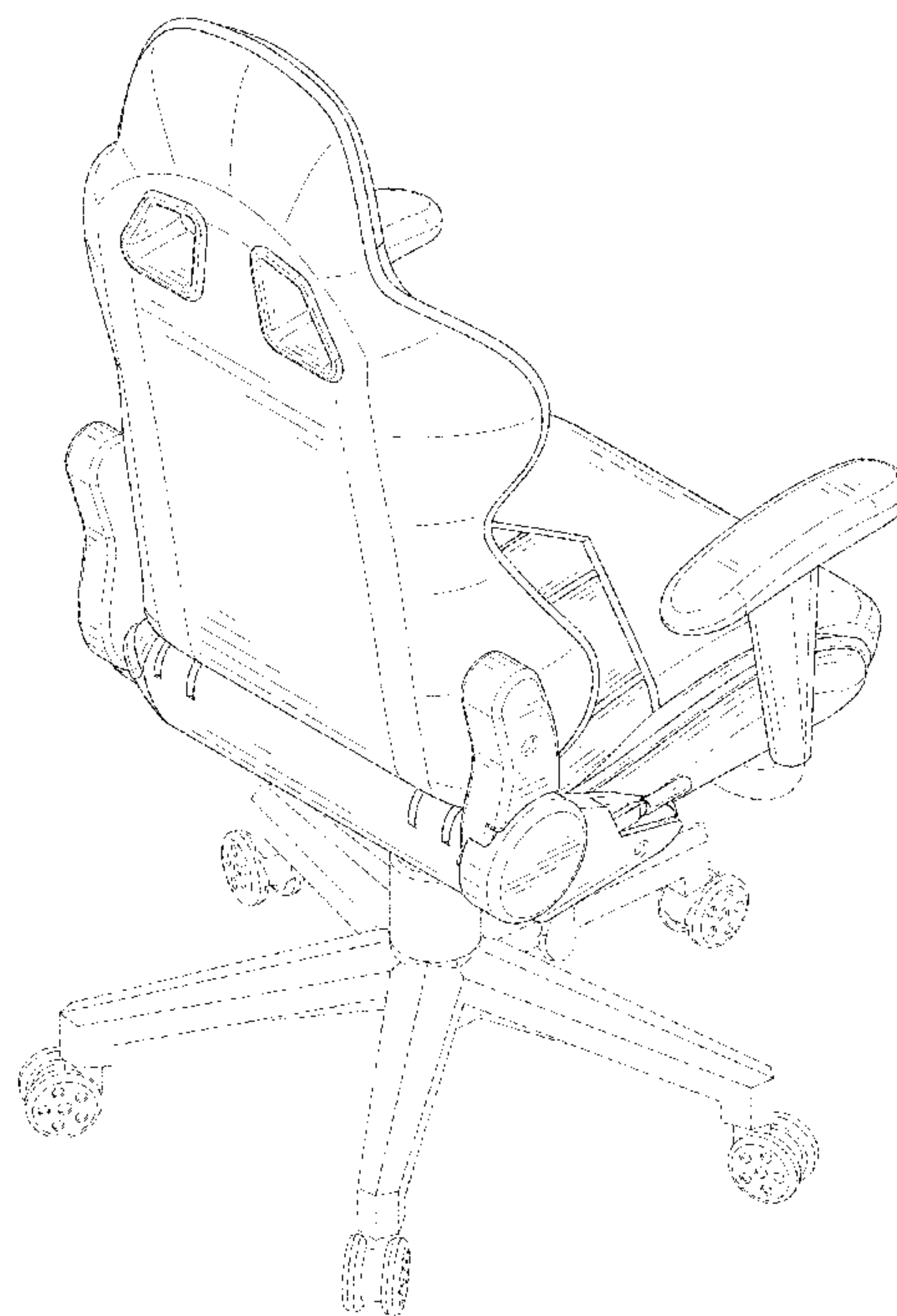
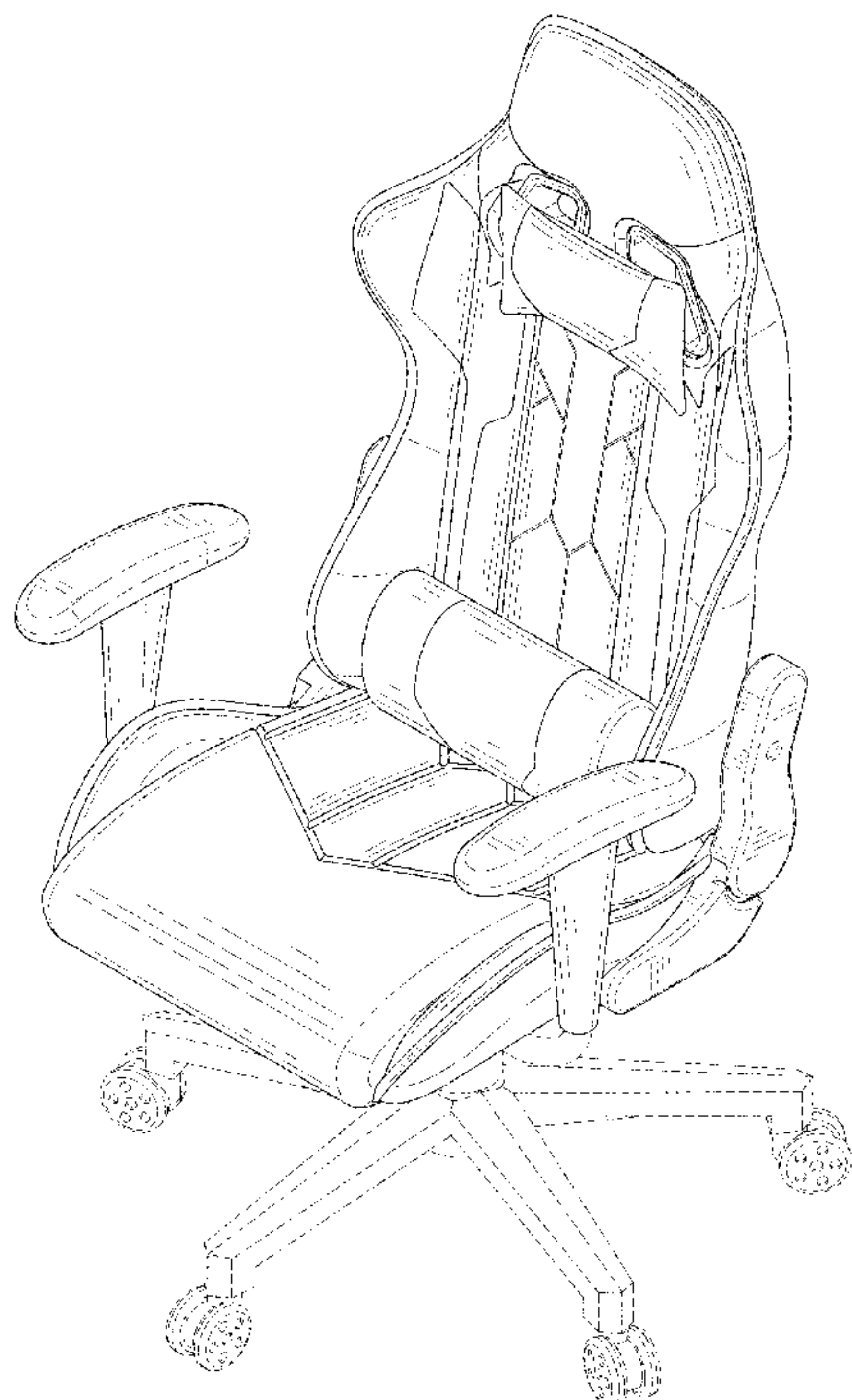




FIG. 1

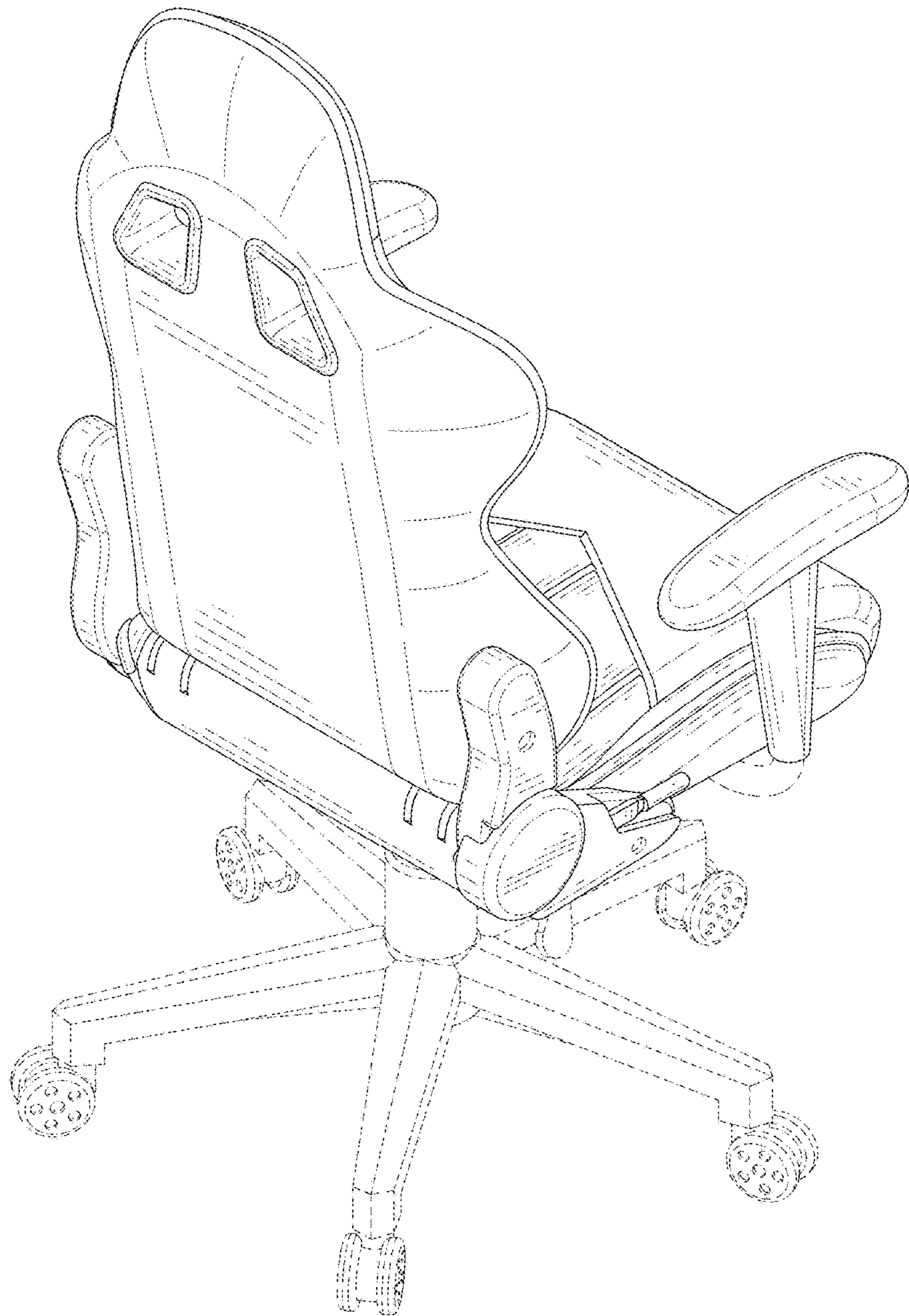


FIG. 2



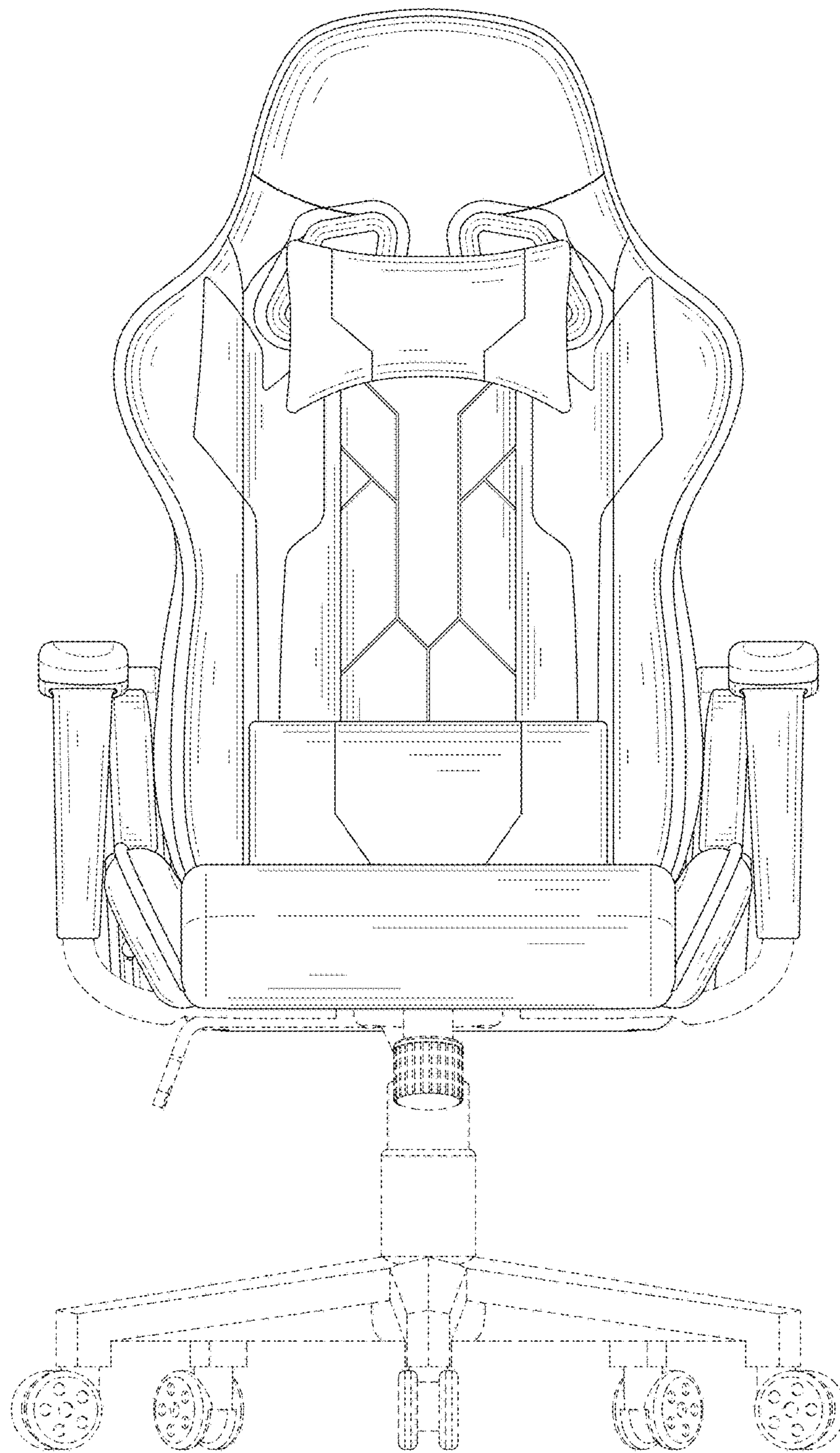


FIG. 3

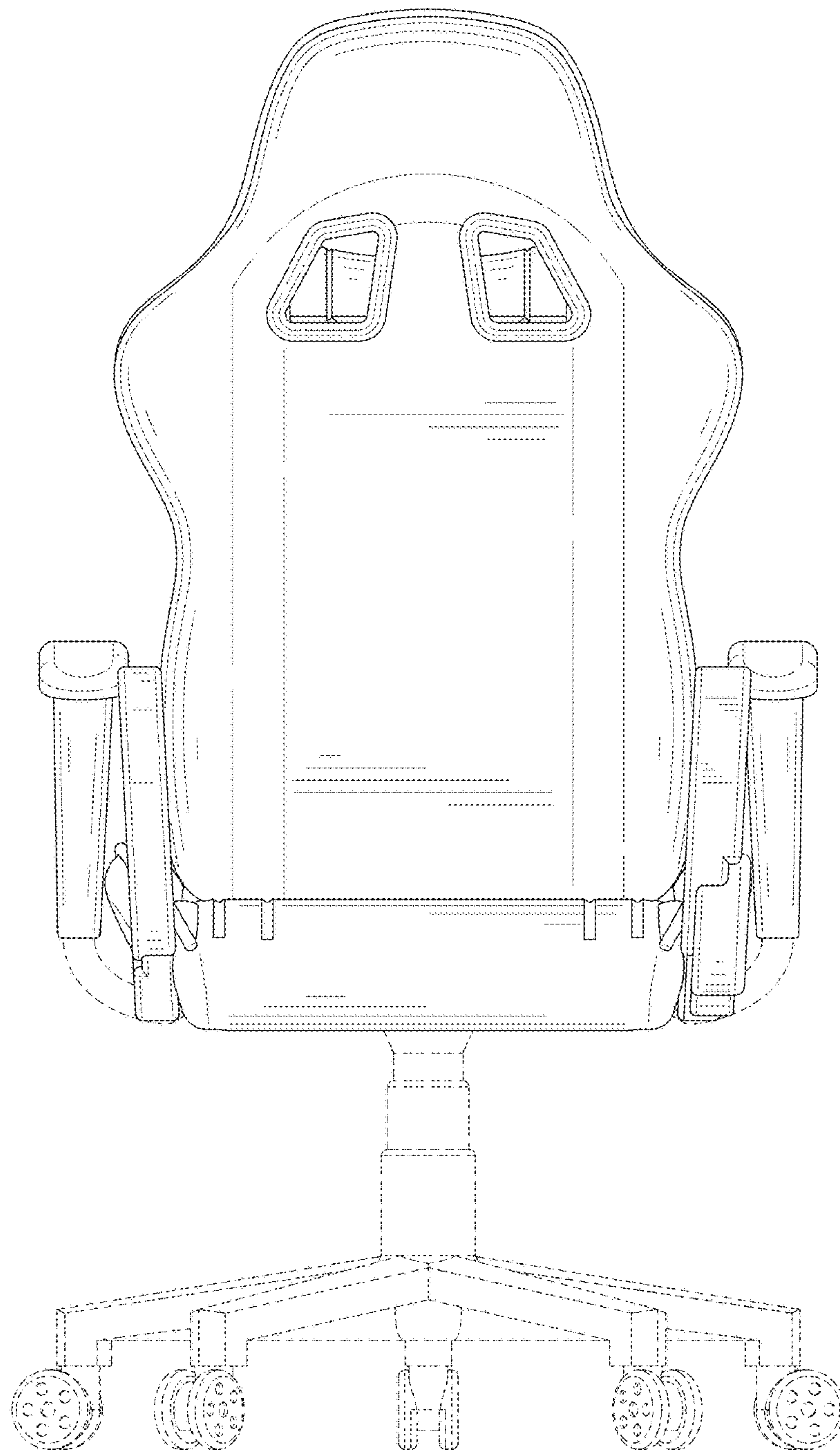


FIG. 4

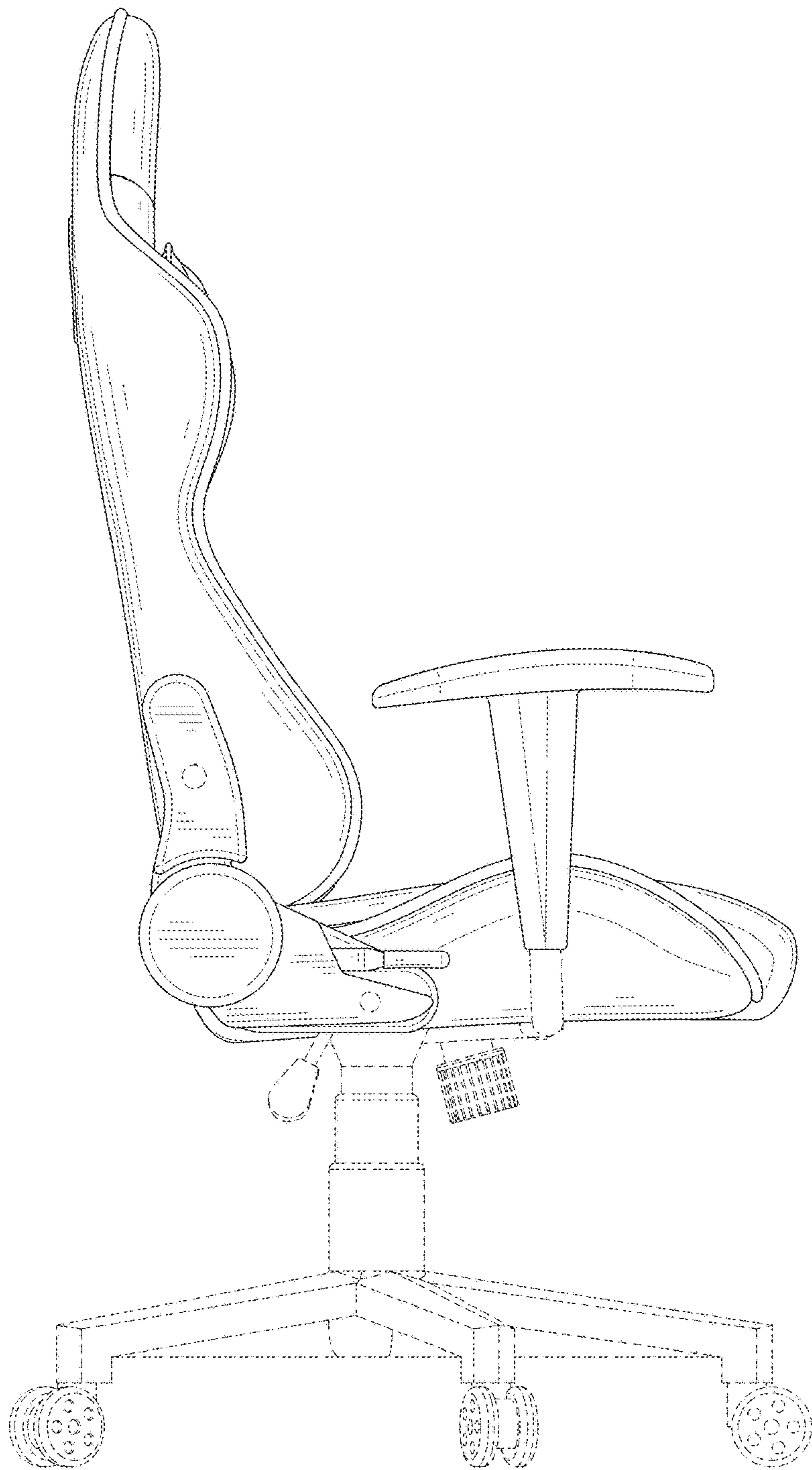


FIG. 5

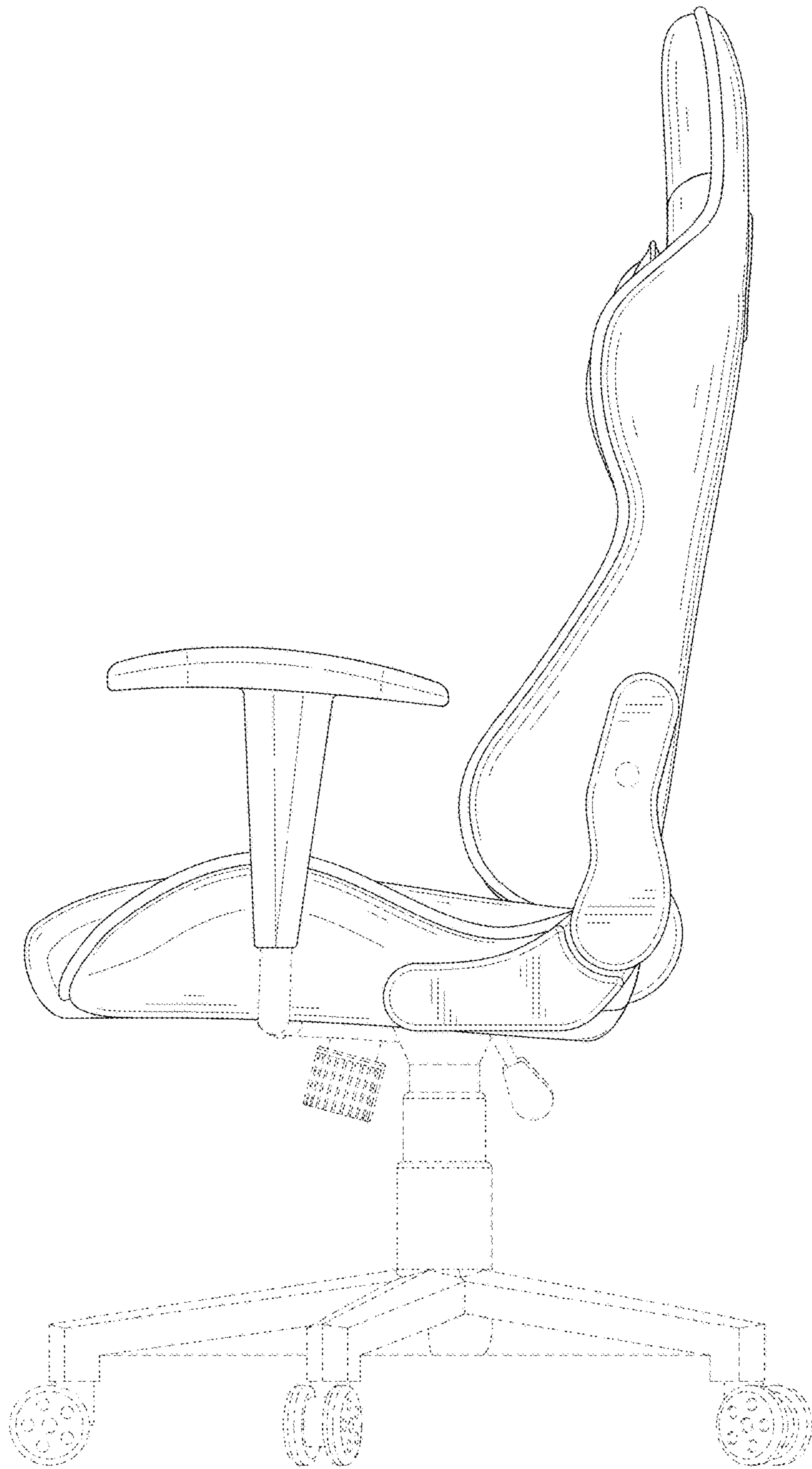


FIG. 6

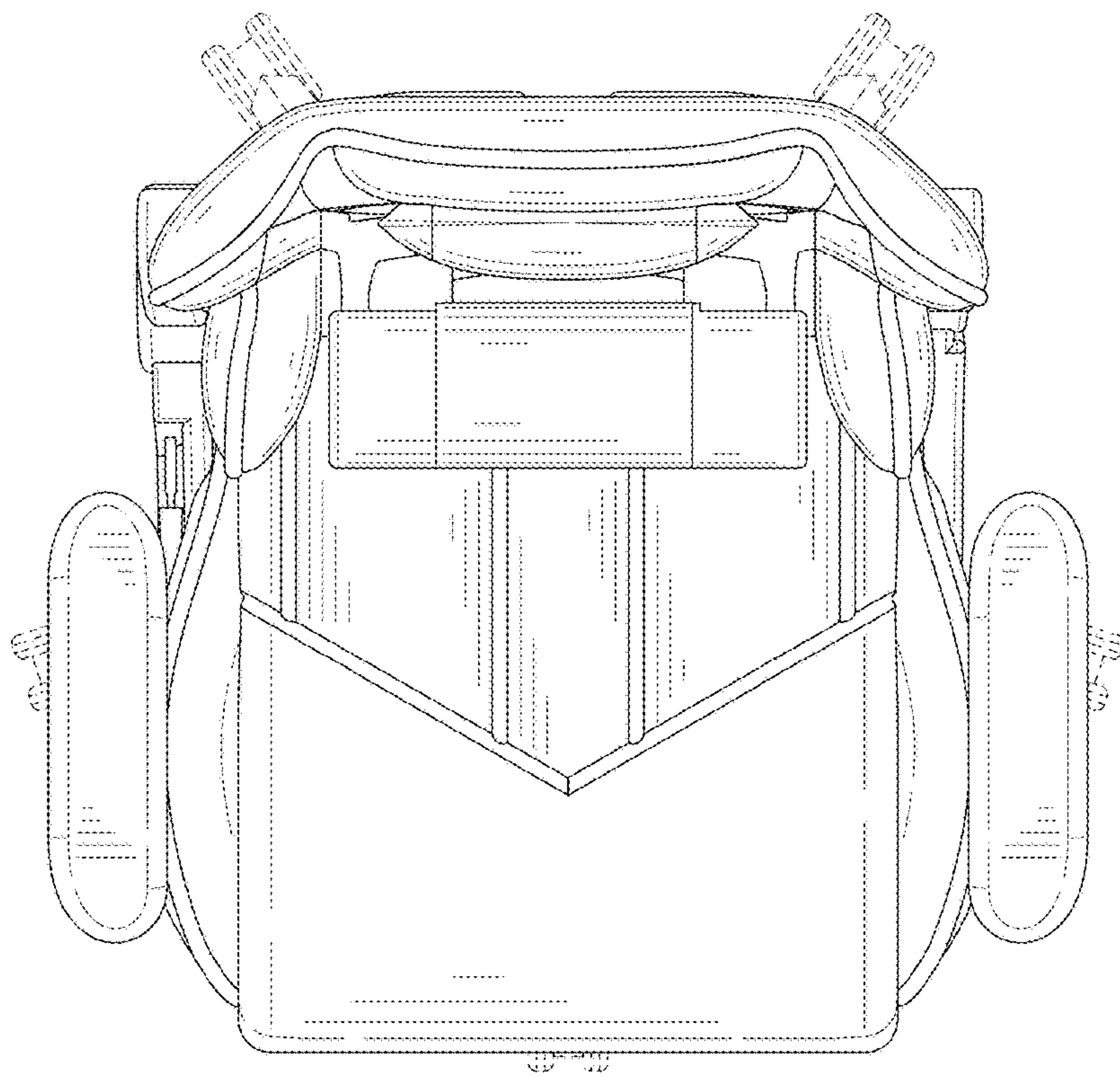


FIG. 7



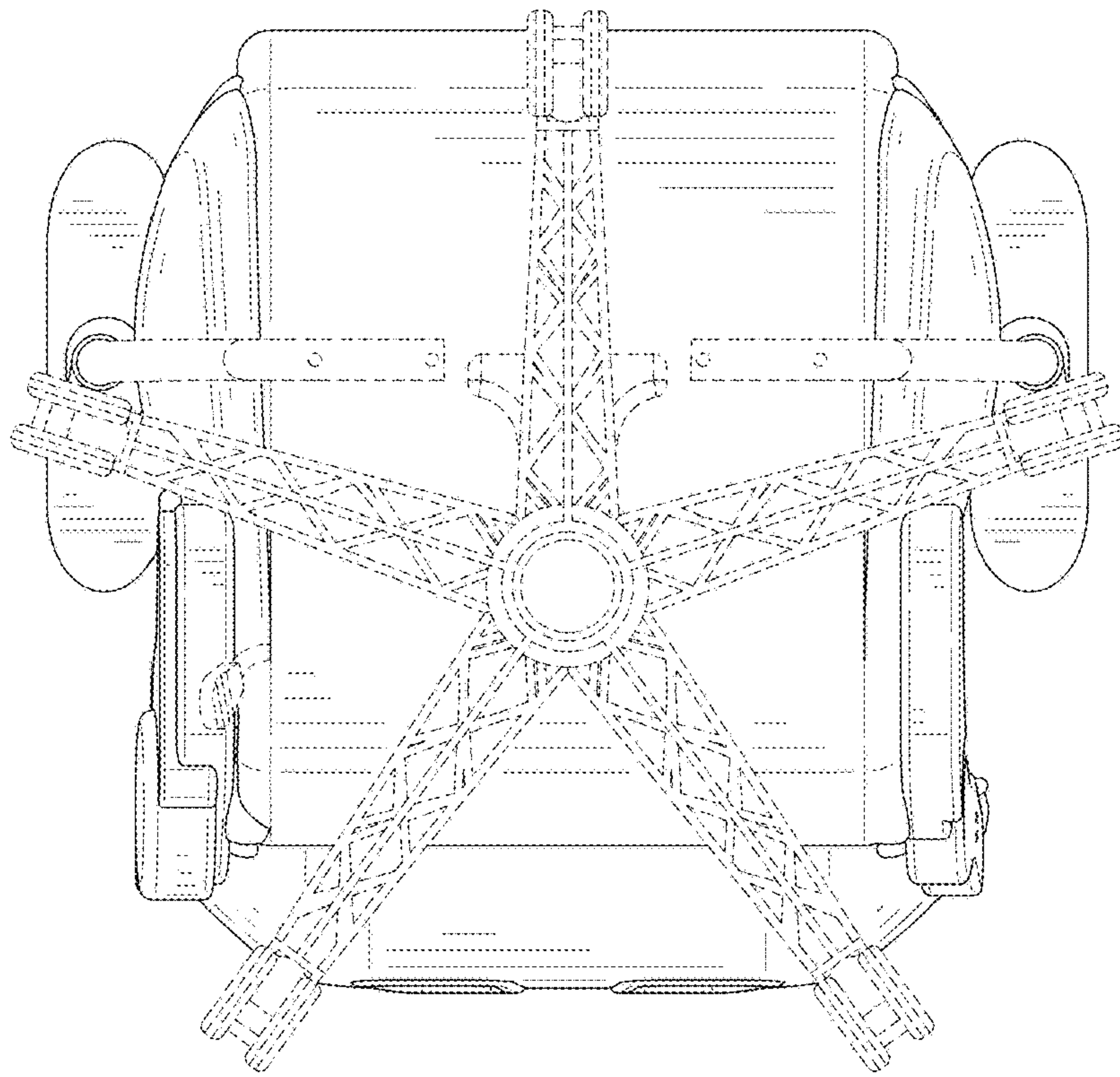


FIG. 8