



US00D851434S

(12) **United States Design Patent**
Visger

(10) **Patent No.:** **US D851,434 S**
(45) **Date of Patent:** **** Jun. 18, 2019**

(54) **MULTI-FUNCTIONAL TABLE FOR CAMPING CHAIR**

(71) Applicant: **Aaron M. Visger**, Sacramento, CA (US)

(72) Inventor: **Aaron M. Visger**, Sacramento, CA (US)

(**) Term: **15 Years**

(21) Appl. No.: **29/620,484**

(22) Filed: **Jan. 11, 2017**

(51) **LOC (11) Cl.** **06-06**

(52) **U.S. Cl.**
USPC **D6/707.19; D6/341**

(58) **Field of Classification Search**
USPC D6/334, 336-342, 349-353, 355, 358, D6/360, 364-365, 406.2, 574, 596-597,
(Continued)

(56) **References Cited**

U.S. PATENT DOCUMENTS

D127,562 S * 6/1941 Cloutier D6/406.2
4,300,798 A * 11/1981 Musgrove A47C 7/68
297/162

(Continued)

OTHER PUBLICATIONS

Kamp-Rite(r) Redi-Tray™. [online] Retrieved May 2, 2018 from URL: <<https://kamprite.com/shop/tables/kamp-rite-red-tray/>>.*

(Continued)

Primary Examiner — Vy N Koenig

(74) Attorney, Agent, or Firm — Mark C. Jacobs

(57) **CLAIM**

The ornamental design for the multi-functional table for camping chair, as shown and described.

DESCRIPTION

FIG. 1 is a top plan view of a multi-functional table for a camping chair showing my new design without the retainer piece inserted.

FIG. 2 is a front and bottom perspective view thereof.

FIG. 3 is an enlarged rear and bottom perspective view of the mounting portion.

FIG. 4 is a rear perspective view of the multi-functional table with the mounting portion rotated from the vertical position.

FIG. 5 is a front perspective view of this design.

FIG. 6 is a bottom perspective view showing the tray portion of this device rotated 90 degrees relative to the mounting portion.

FIG. 7 is a top perspective view of the tray portion with the retainer piece inserted therein.

FIG. 8 is a top plan view of the mounting portion of the multi-functional table for camping chair as shown in FIG. 1 with the chair lock in an unsecured position, shown separately to depict aspects of the design that may not be apparent from the other views presented herein.

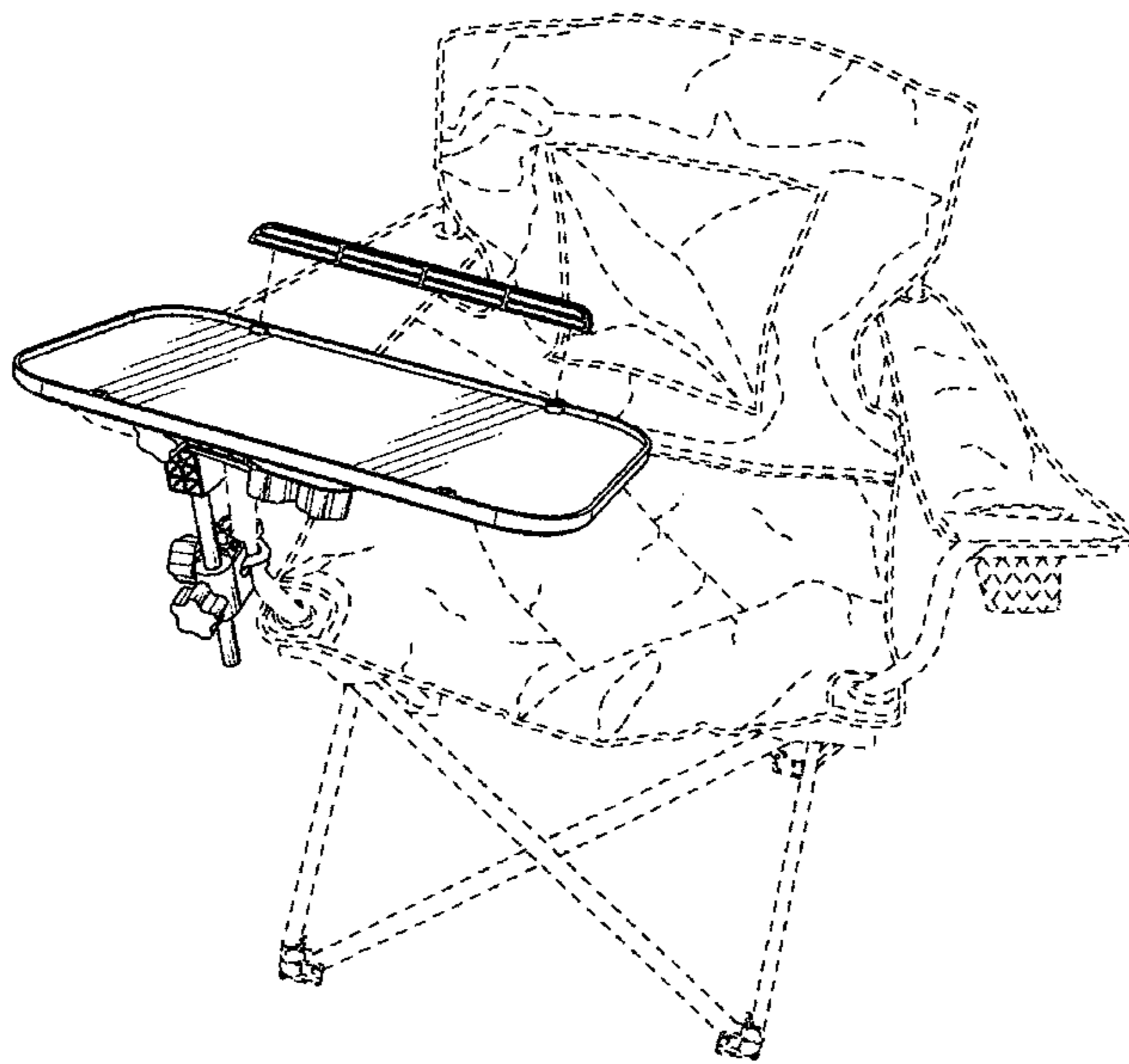
FIG. 9 is a bottom plan view of the mounting portion shown in FIG. 8 with the chair lock in a secured position.

FIG. 10 is a front perspective view of the multi-functional table of this design in a position of use, secured onto a camping chair, and with the retainer piece shown separated from the table portion; and,

FIG. 11 is a close-up in use view showing an unclaimed pad or book disposed upon the slightly downward canted table portion, angled toward a would be sitter for easy reading, wherein the book or pad is held from falling off the tray by the retainer, and further showing the mounting portion secured to a leg of a camping chair.

Any broken or dashed lines set forth in the drawing figures depict environment subject matter and form no part of the claimed design.

1 Claim, 11 Drawing Sheets



US D851,434 S

Page 2

(58) **Field of Classification Search**

USPC D6/601, 604, 688.24–688.27, 691–691.9,
D6/692–692.6, 716–716.1, 707.16,
D6/707.19, 707.24
CPC .. A47C 16/02–04; A47C 13/00; A47K 17/02;
A47K 17/028

See application file for complete search history.

D536,886 S * 2/2007 Hart D6/336
D555,950 S * 11/2007 Hart D6/574
7,900,566 B1 * 3/2011 Bunker A47C 7/68
108/167
D648,944 S * 11/2011 Renfrew D6/336
D694,054 S * 11/2013 Blomstrom D6/716
D731,219 S * 6/2015 Spoelhof D6/341
D749,869 S * 2/2016 Wenji D6/406.2
2016/0198856 A1 * 7/2016 Grace A47C 7/68
297/16.1

(56) **References Cited**

U.S. PATENT DOCUMENTS

D270,506 S * 9/1983 Thorne D6/406.2
D292,150 S * 10/1987 Restin D6/574
D323,560 S * 1/1992 Boyce D24/183
D331,332 S * 12/1992 Farmer D19/88
D332,703 S * 1/1993 Gulliver D6/335
D438,408 S * 3/2001 Hannappel D6/707.19
D498,622 S * 11/2004 Neunzert D6/707

OTHER PUBLICATIONS

Ozark Trail Aluminum Director's Chair with Swivel Desk, Blue.
[online] Retrieved May 2, 2018 from URL: <<https://www.amazon.com/Ozark-Trail-Aluminum-Directors-Swivel/dp/B00VGEKI6U>>.*

* cited by examiner

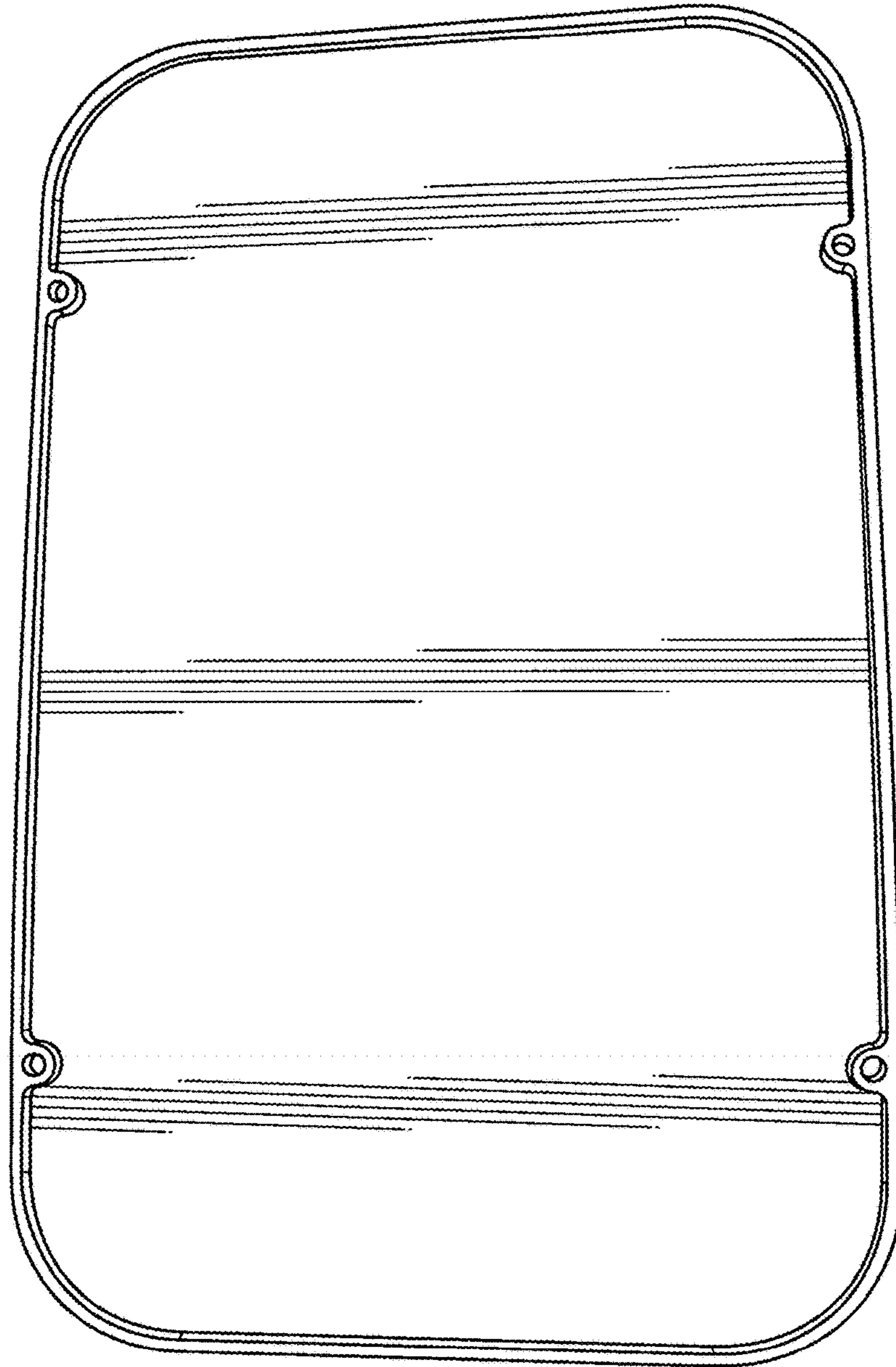


FIG. 1

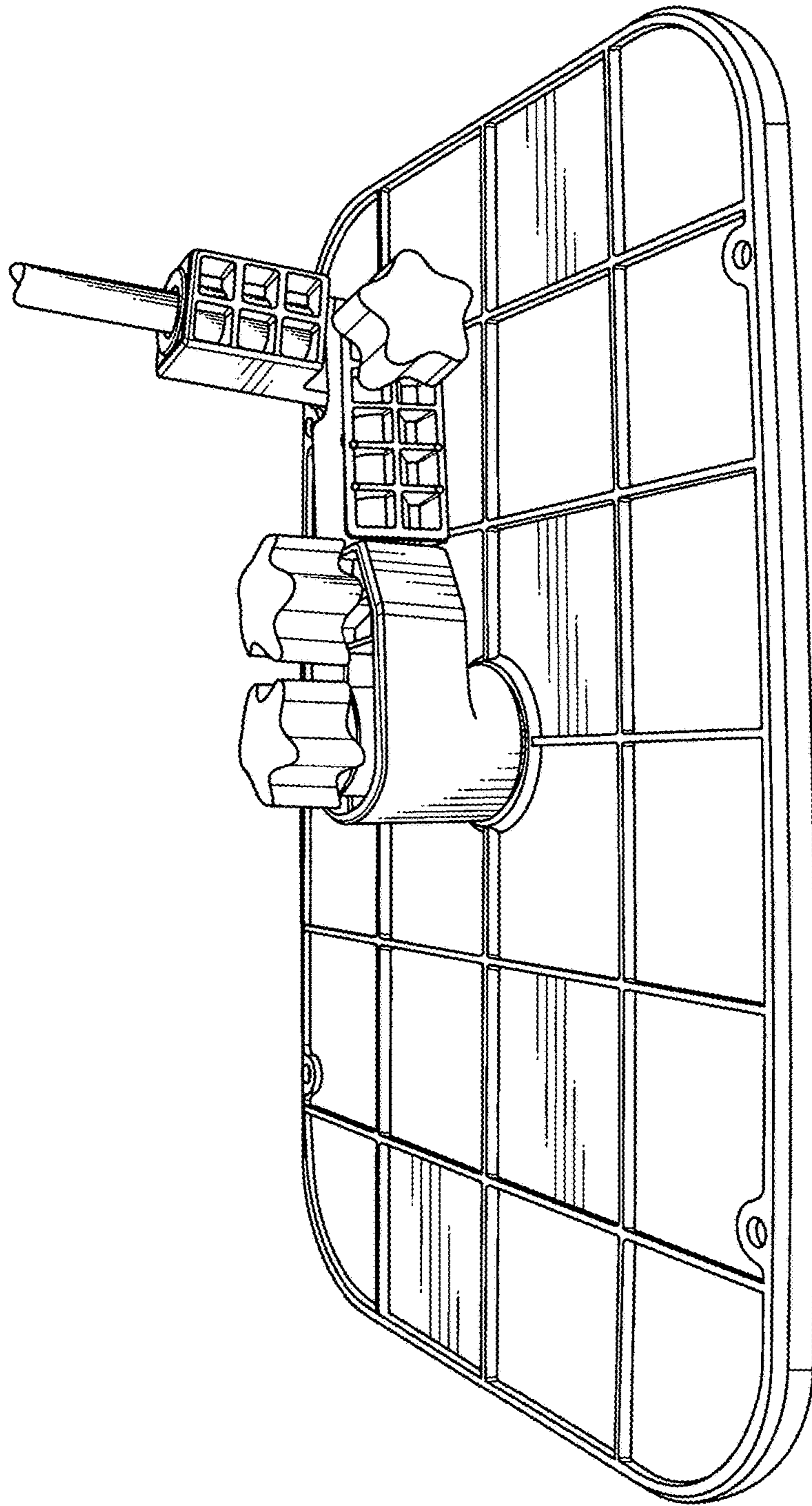


FIG. 2

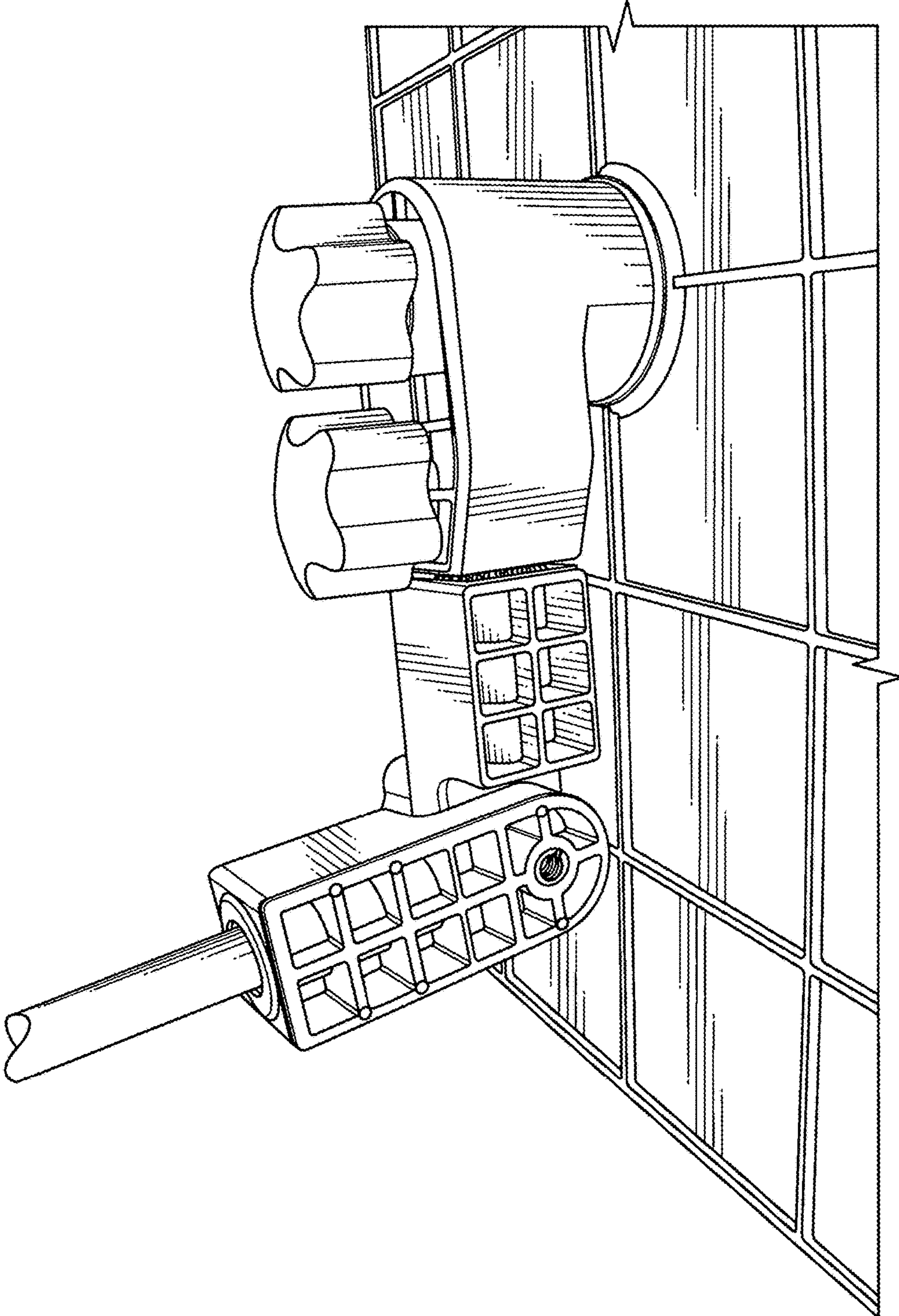


FIG. 3

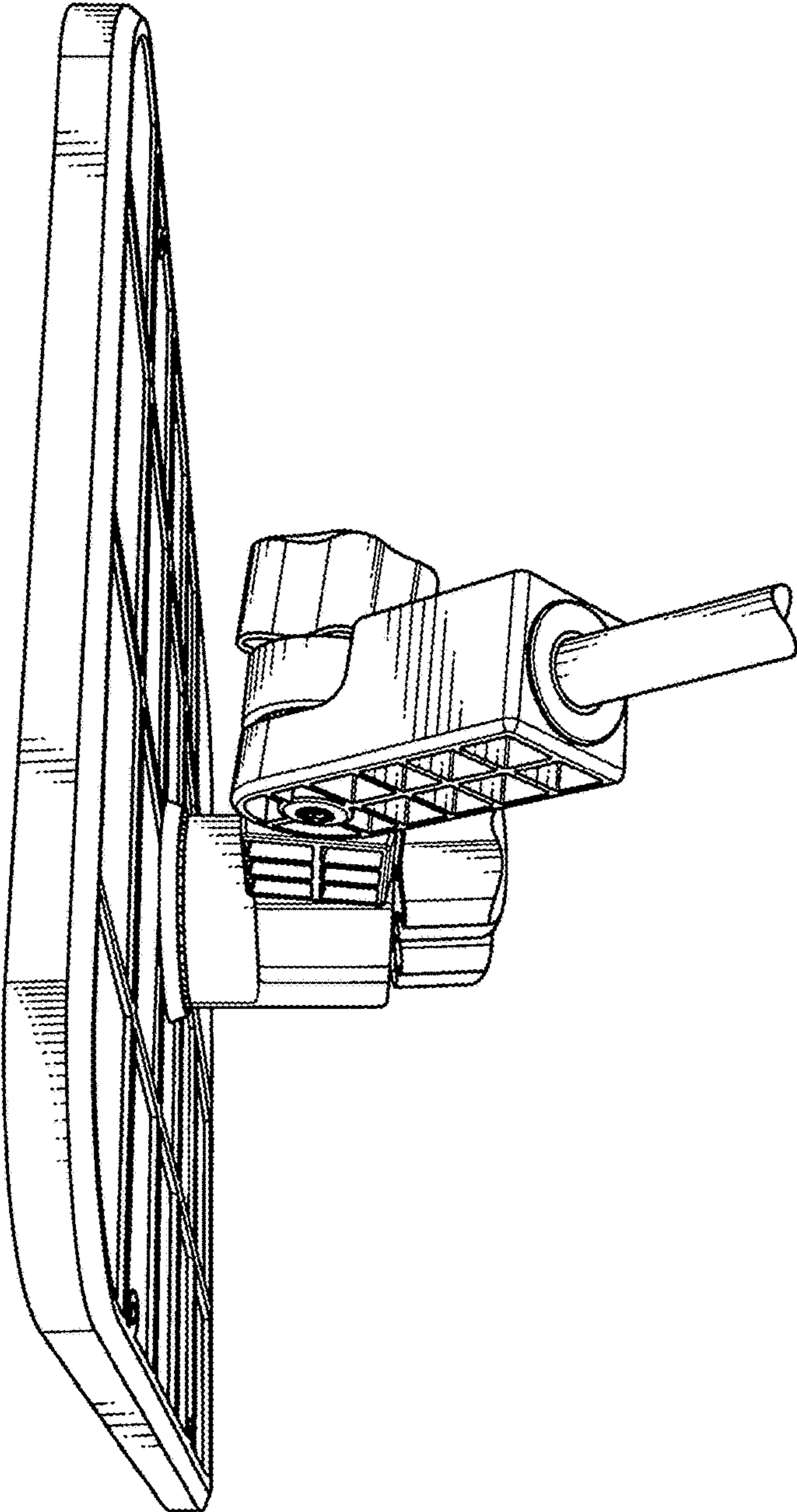


FIG. 4

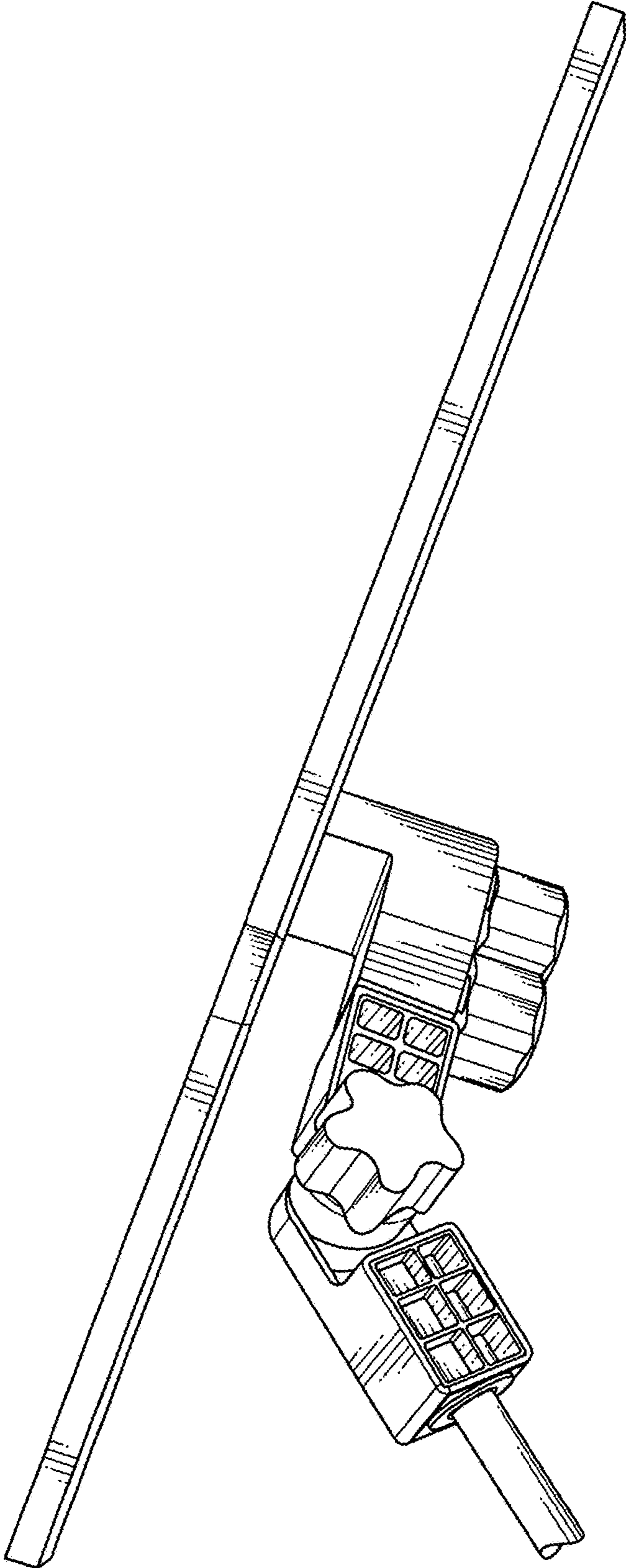


FIG. 5

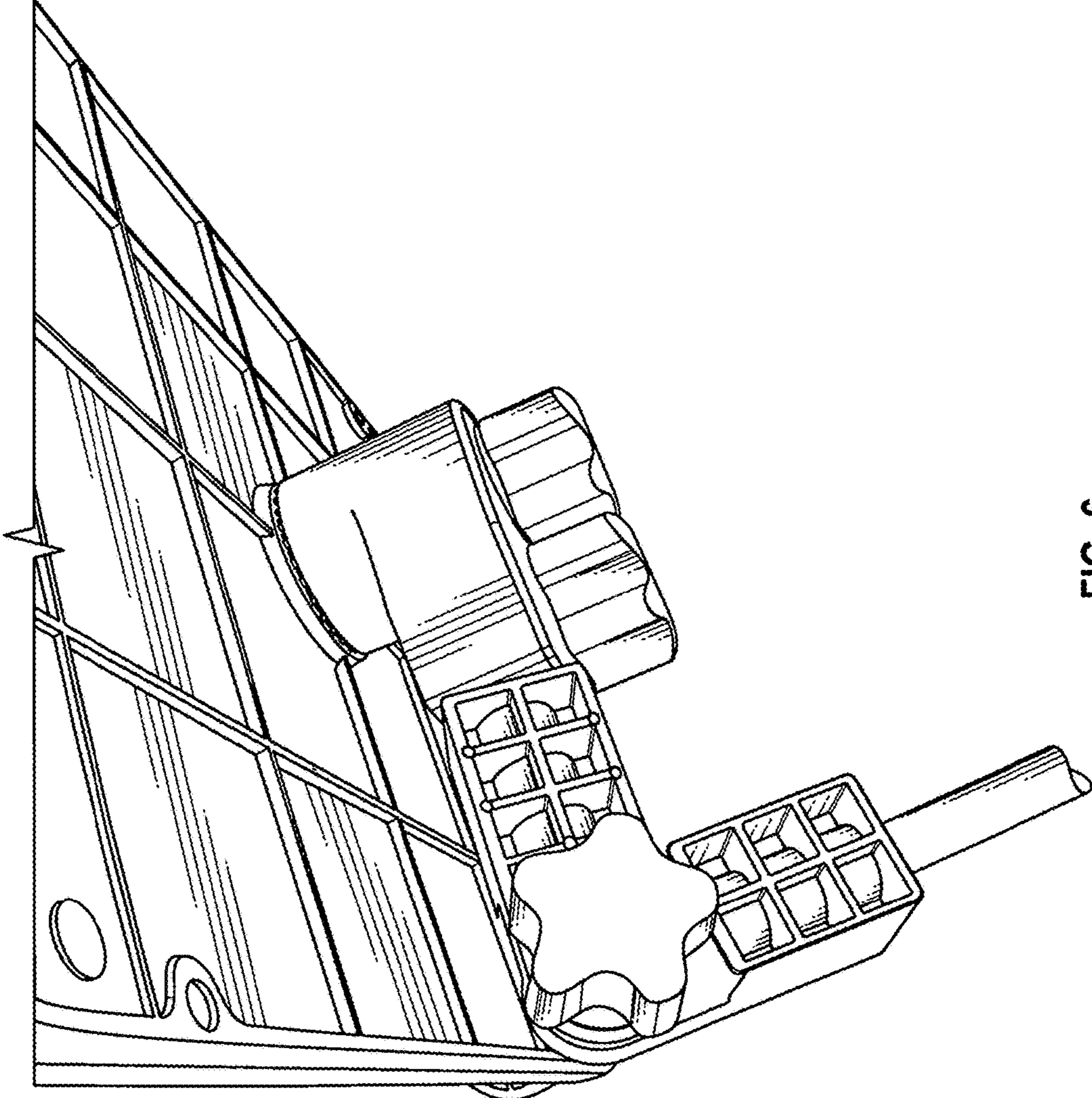


FIG. 6

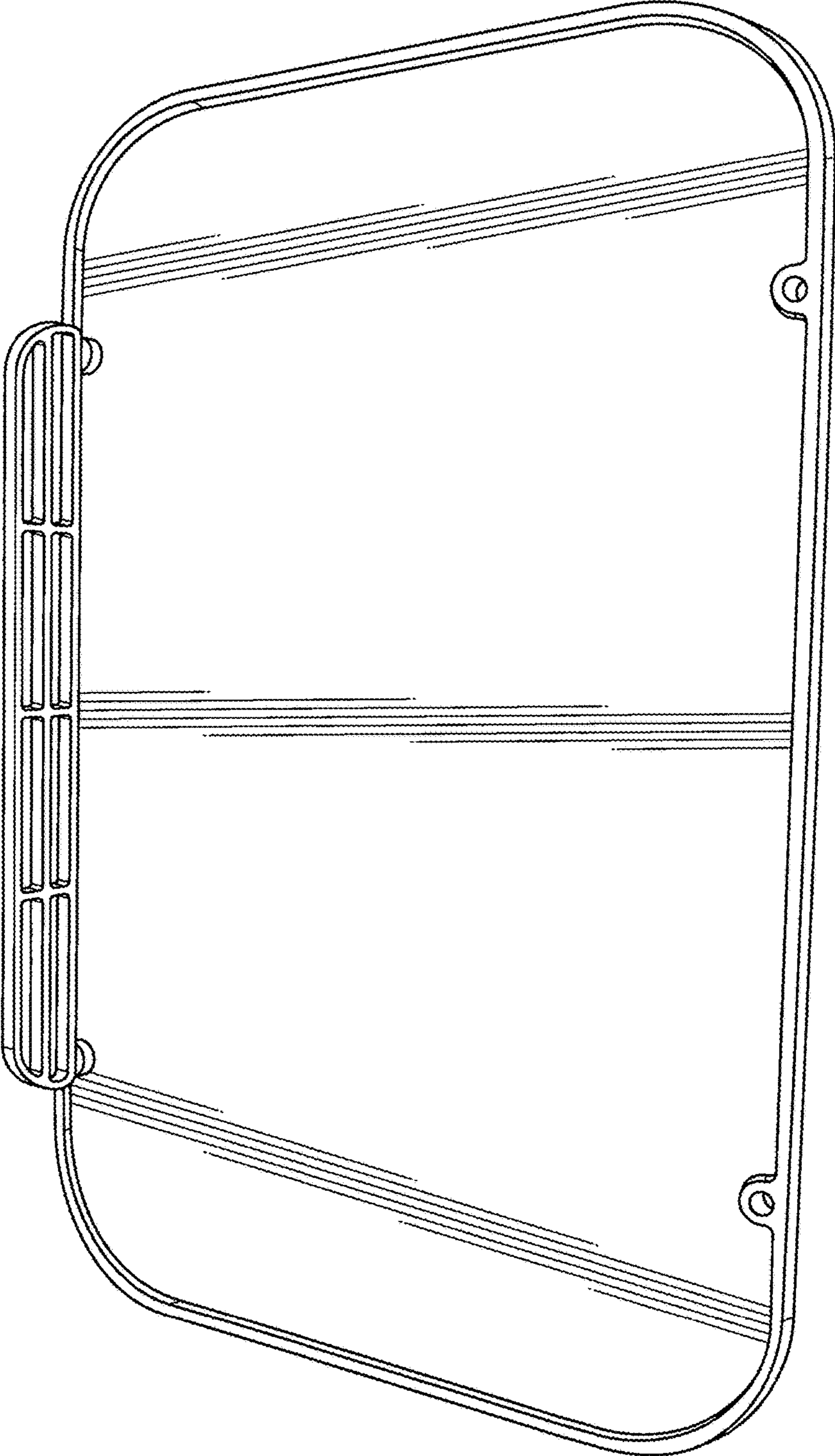


FIG. 7

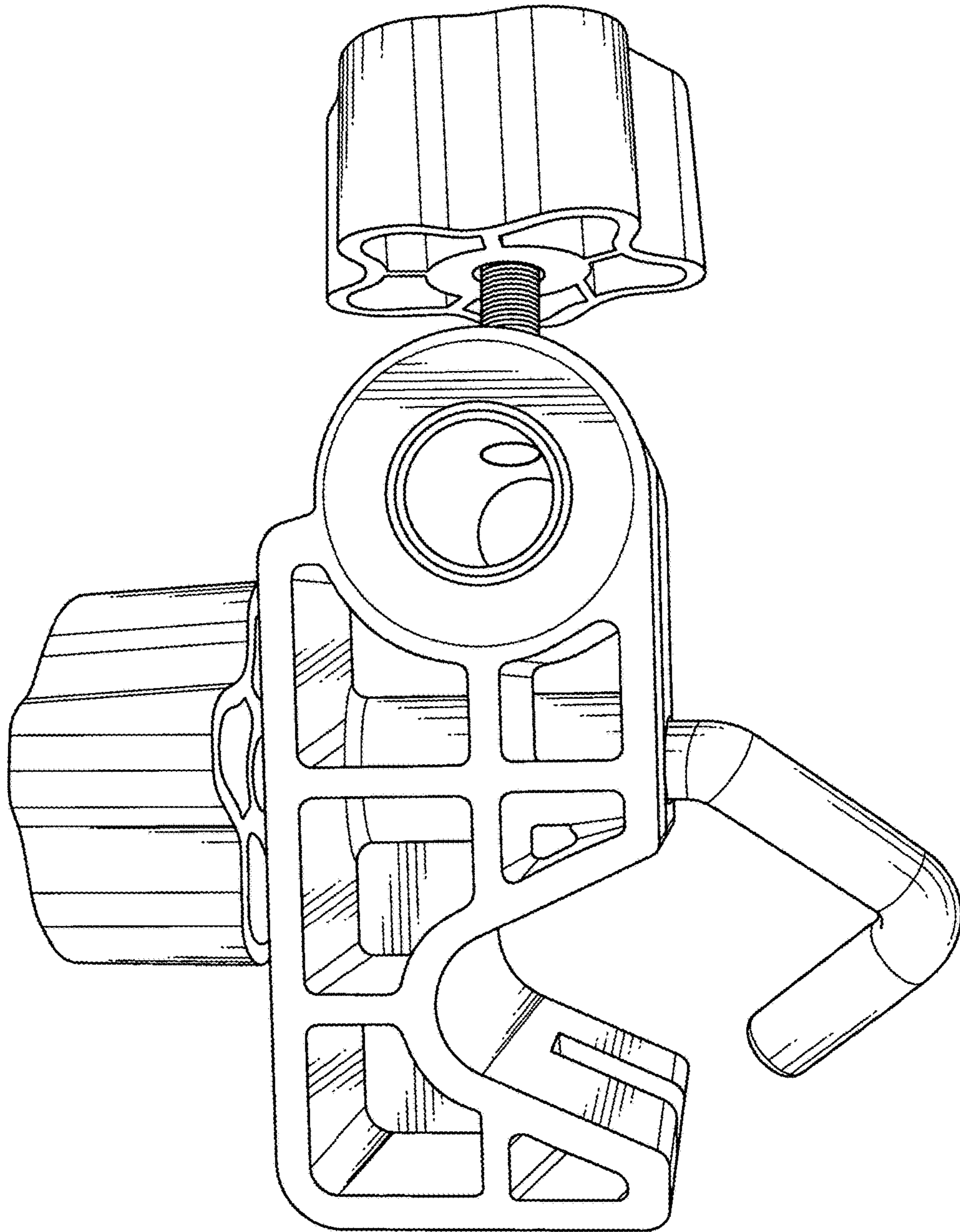


FIG. 8

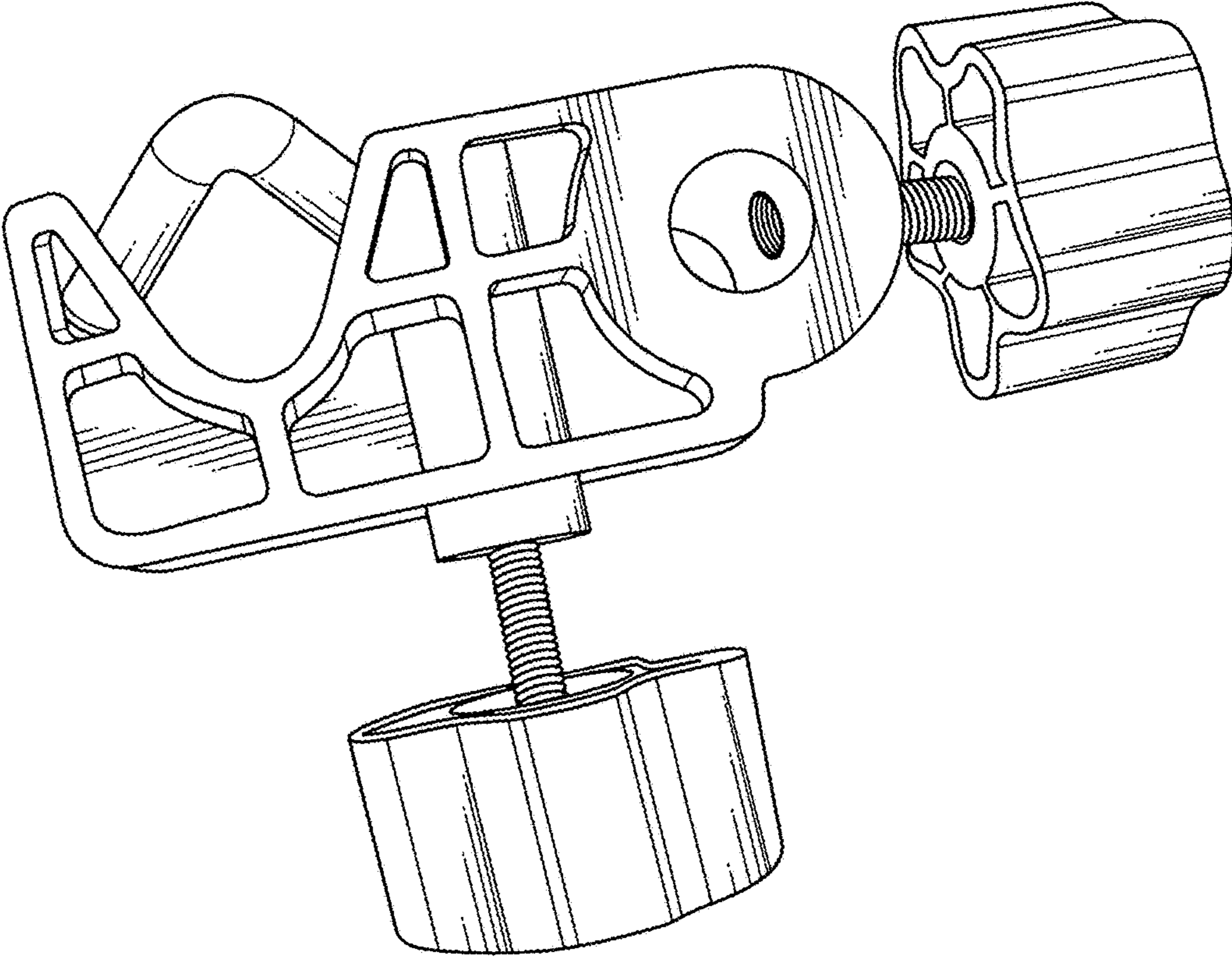


FIG. 9

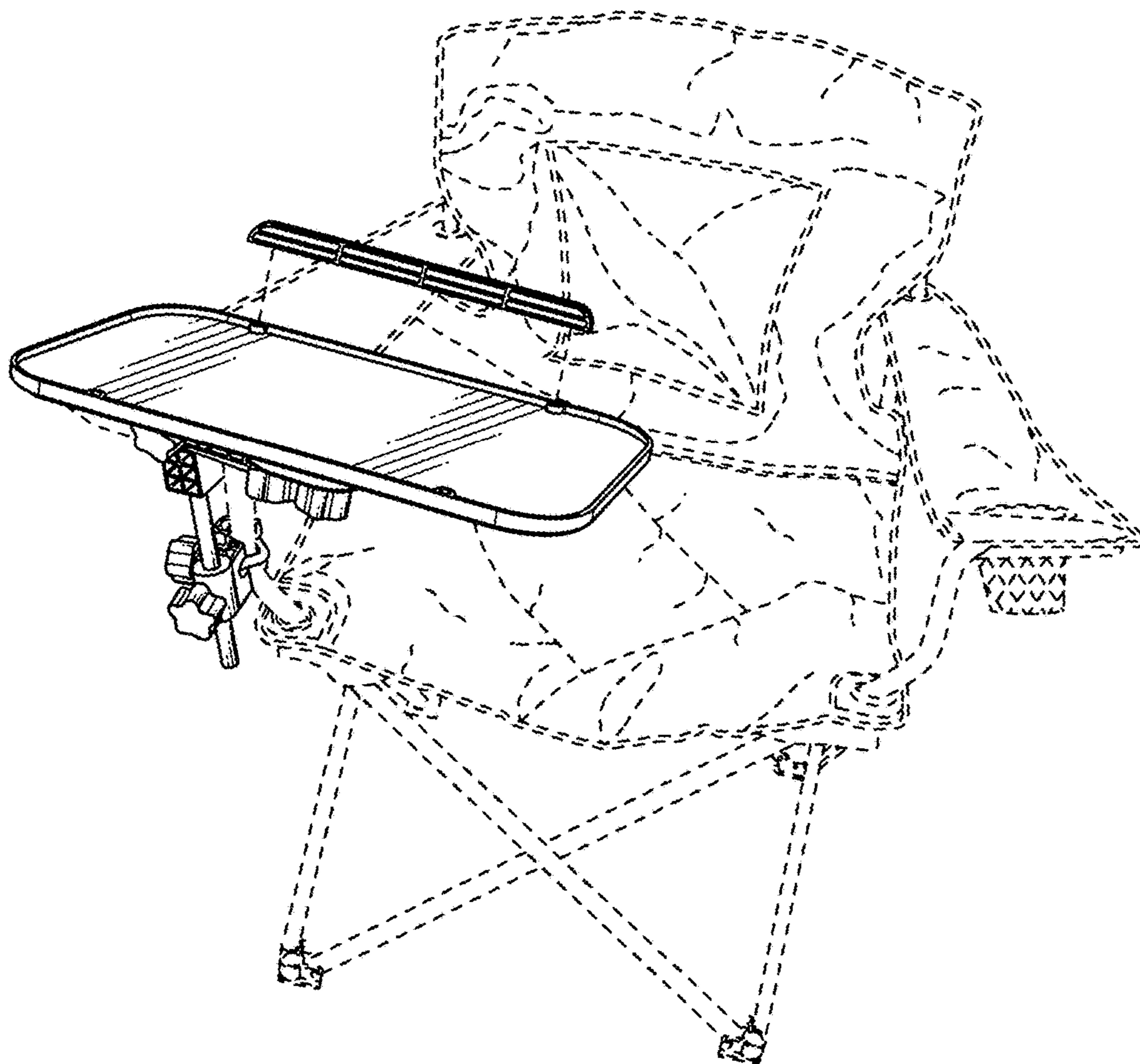


FIG. 10

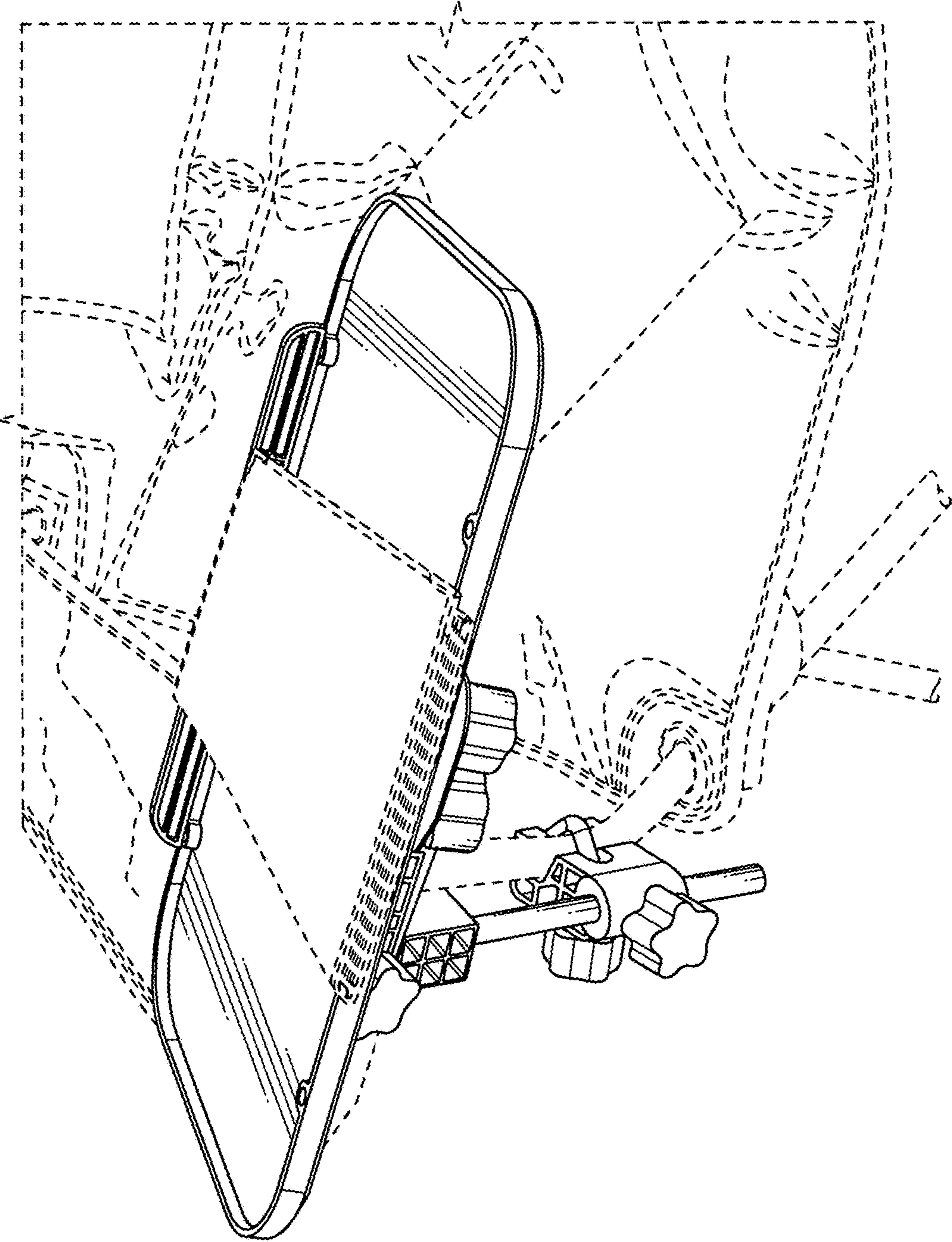


FIG. 11