



US00D851433S

(12) **United States Design Patent**  
**Lu**

(10) **Patent No.:** **US D851,433 S**  
(45) **Date of Patent:** **\*\* Jun. 18, 2019**

(54) **TABLE**  
(71) Applicant: **Hanshui Lu**, Zhejiang (CN)  
(72) Inventor: **Hanshui Lu**, Zhejiang (CN)  
(\*\*) Term: **15 Years**  
(21) Appl. No.: **29/588,966**  
(22) Filed: **Dec. 26, 2016**  
(51) **LOC (11) Cl.** ..... **06-06**  
(52) **U.S. Cl.**  
USPC ..... **D6/707.14**; D6/707.2  
(58) **Field of Classification Search**  
USPC ..... D6/349, 685, 686, 688.11, 688.12, 692,  
D6/692.1-692.6, 707, 707.2, 707.14,  
D6/707.18  
CPC .. A47B 5/00; A47B 7/00; A47B 13/00; A47B  
13/02; A47B 13/08; A47B 13/081; A47B  
13/088; A47B 13/10; A47B 13/12; A47B  
21/00; A47B 2200/0001; A47B  
2200/0011  
See application file for complete search history.

D544,256 S \* 6/2007 Chen ..... A47B 11/00  
D6/688.12  
D596,892 S \* 7/2009 Vanderminden ..... D6/686  
D616,675 S \* 6/2010 Lowsky ..... D6/692.1  
D704,969 S \* 5/2014 Zhou ..... D6/688.12  
D778,644 S \* 2/2017 Jin ..... D6/688.11  
2006/0075935 A1\* 4/2006 Li ..... A47B 11/00  
108/50.12  
2016/0166109 A1\* 6/2016 Banal ..... A47J 37/0781  
108/50.13

\* cited by examiner

*Primary Examiner* — Mary Ann Calabrese  
(74) *Attorney, Agent, or Firm* — Loza & Loza, LLP;  
Heidi L. Eisenhut

(57) **CLAIM**

The ornamental design for a table, as shown and described.

**DESCRIPTION**

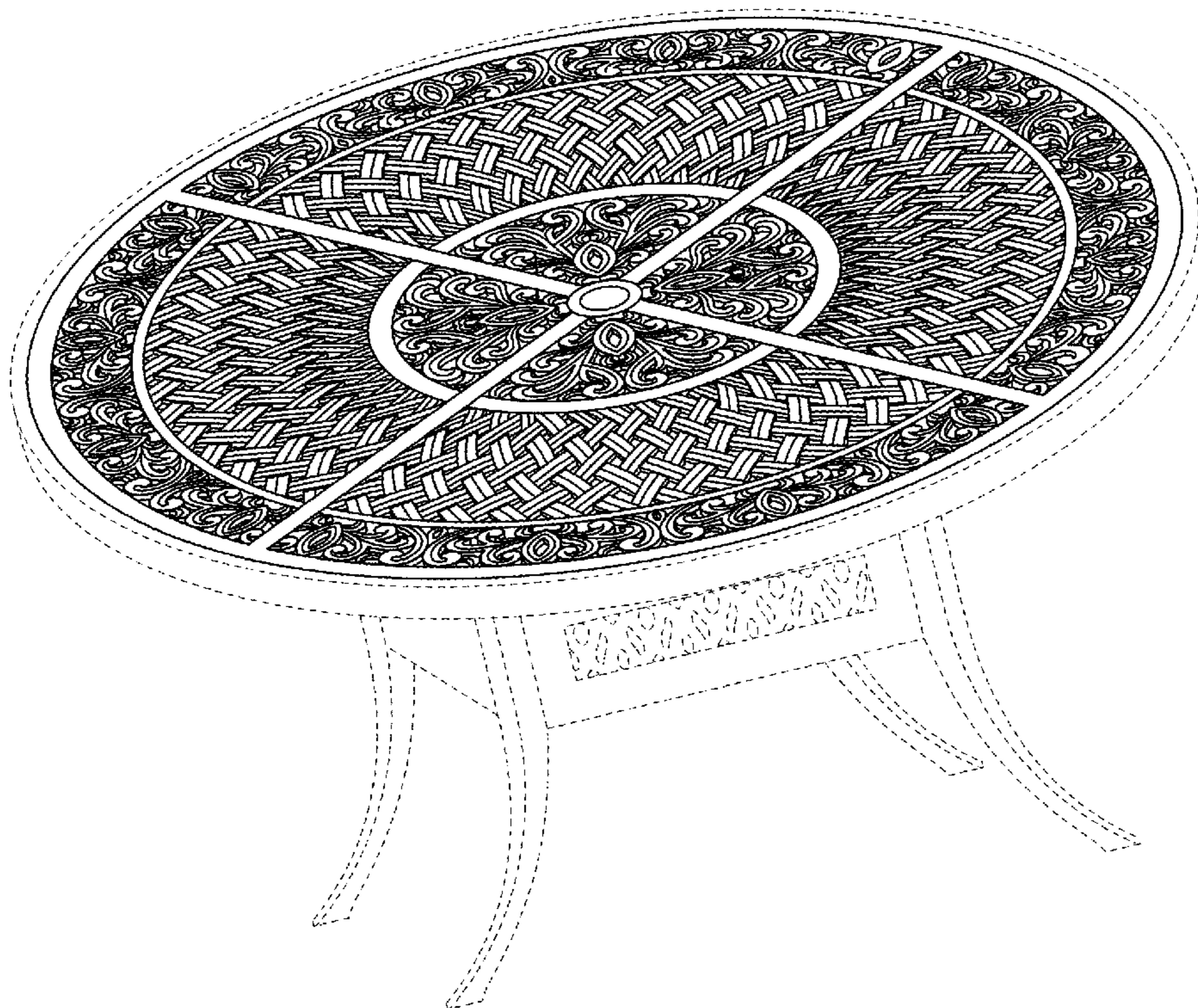
FIG. 1 is a top front left perspective view of a table, showing my new design;  
FIG. 2 is a front view of the table of FIG. 1, the back view being a mirror image thereof;  
FIG. 3 is a top view of the table of FIG. 1; and,  
FIG. 4 is a bottom view of the table of FIG. 1.  
The broken line show features of the table that form no part of the claimed design.

(56) **References Cited**

**U.S. PATENT DOCUMENTS**

D503,863 S \* 4/2005 Vanderminden, Sr. .... D6/692.1  
D526,825 S \* 8/2006 White, III ..... A47J 37/0781  
D6/707.2

**1 Claim, 4 Drawing Sheets**



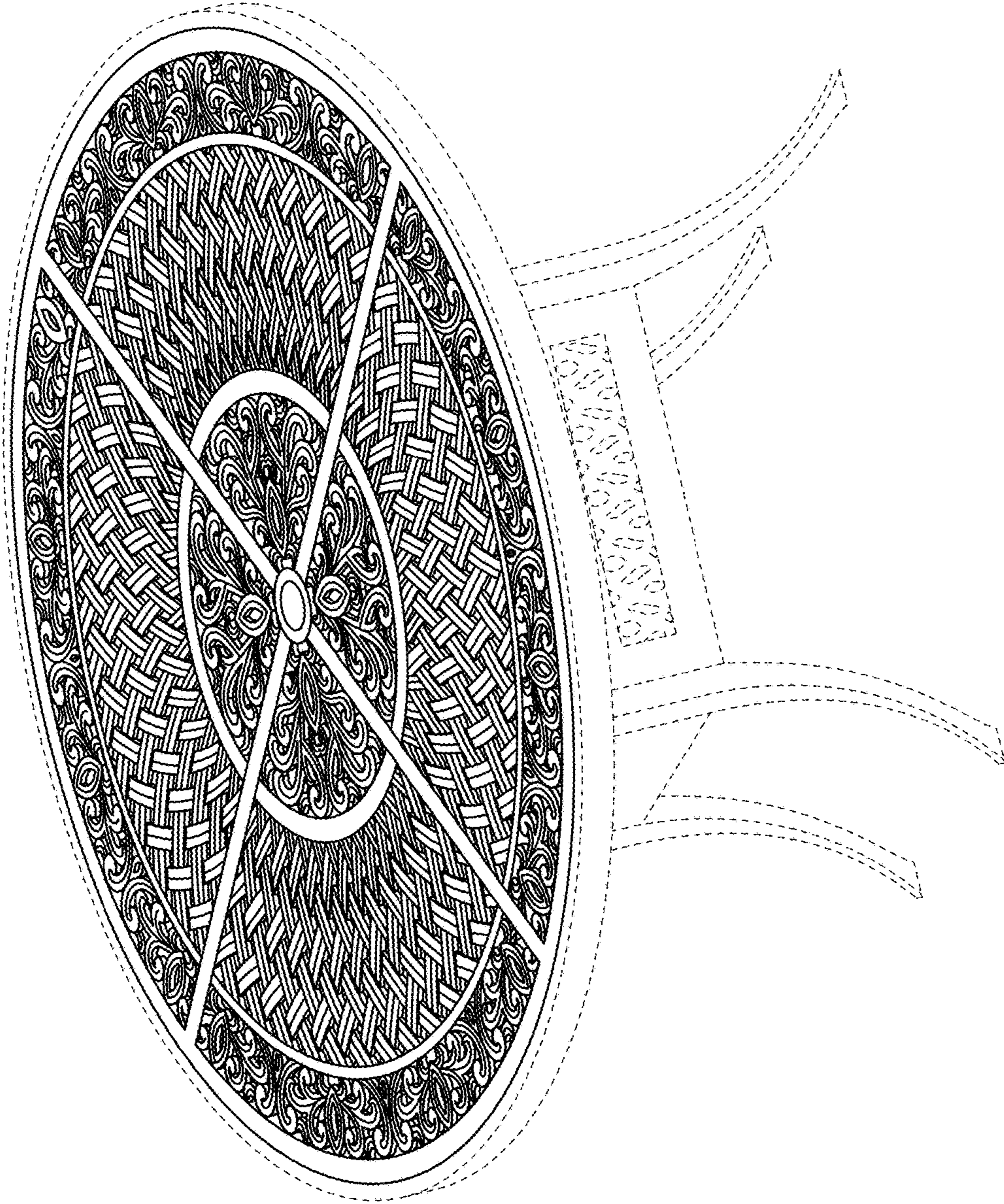


FIG. 1

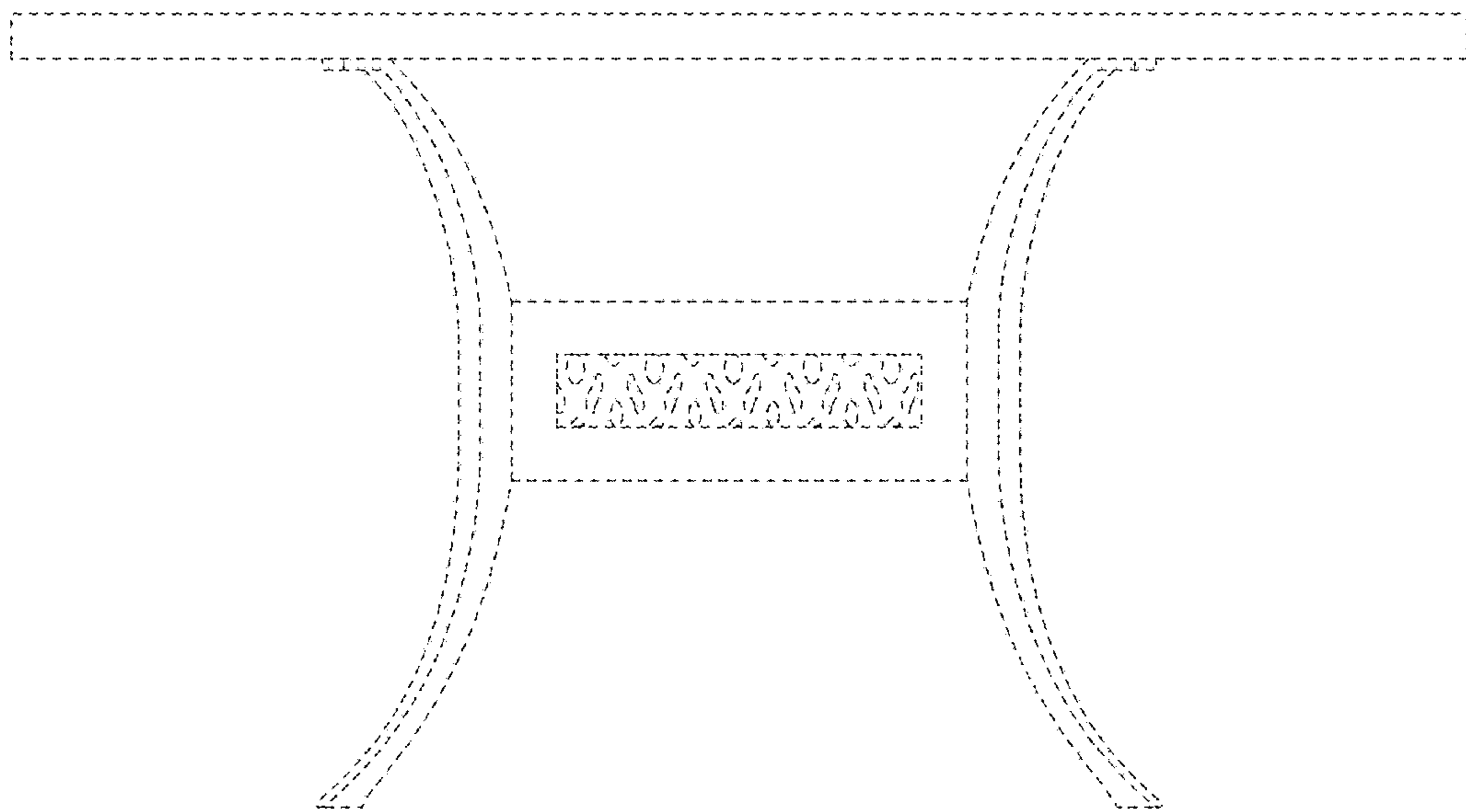


FIG. 2

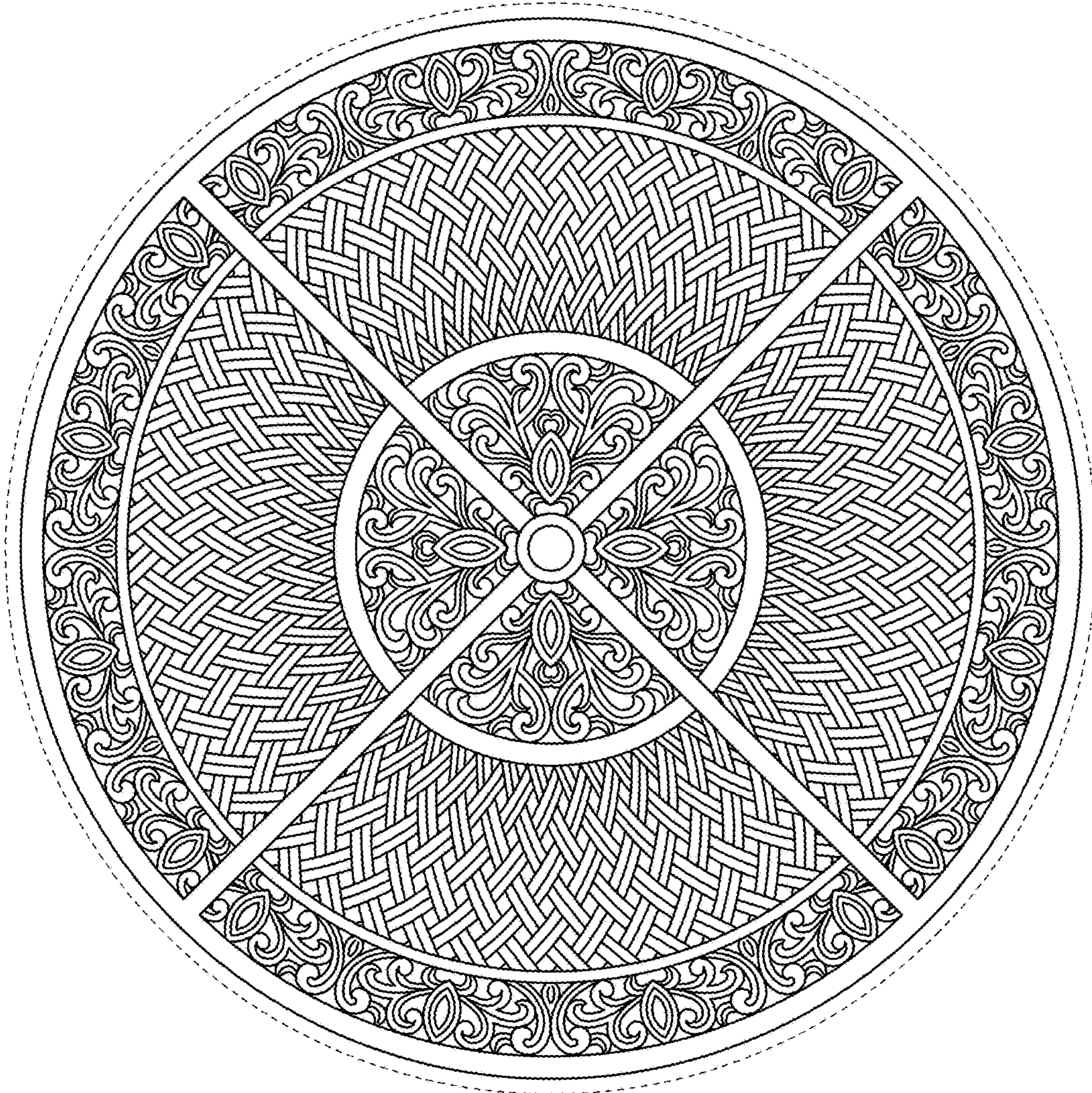


FIG. 3

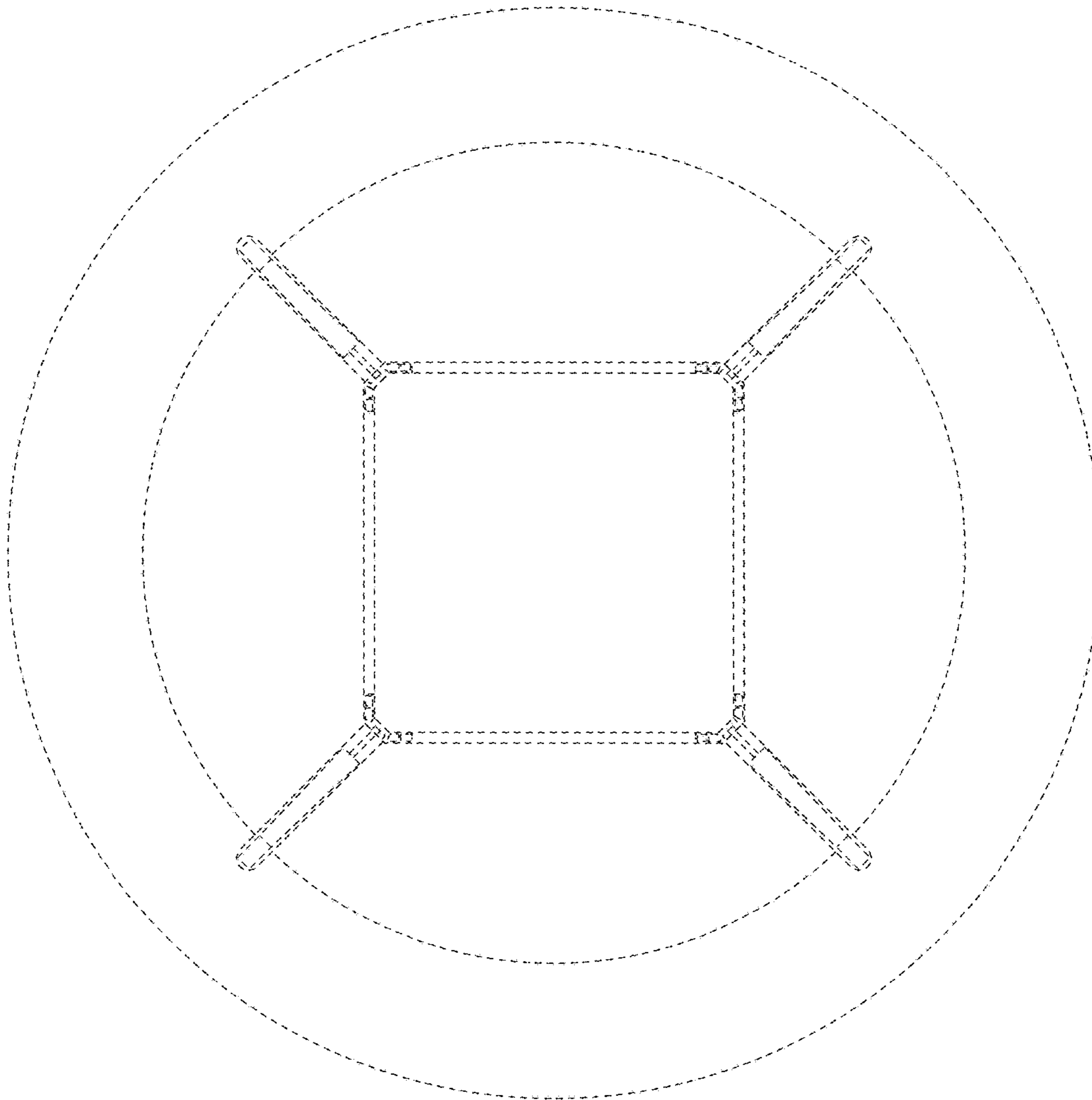


FIG. 4