



US00D851431S

(12) **United States Design Patent**
Jia

(10) **Patent No.:** **US D851,431 S**
(45) **Date of Patent:** **** Jun. 18, 2019**

(54) **APPLE WATCH STAND HOLDER**
(71) Applicant: **SHENZHEN QIYI INNOVATIONS TECHNOLOGY CO., LTD**, Shenzhen (CN)
(72) Inventor: **Qi Jia**, Wuzhi County (CN)
(73) Assignee: **SHENZHEN QIYI INNOVATIONS TECHNOLOGY CO., LTD**, Silicon Valley Compound, Jin Hua Fa Industrial Park, Qing Quan Road, Longhua District, Shenzhen (CN)

(**) Term: **15 Years**
(21) Appl. No.: **29/627,457**
(22) Filed: **Nov. 27, 2017**

(30) **Foreign Application Priority Data**

Oct. 13, 2017 (CN) 2017 3 0487276

(51) **LOC (11) Cl.** **06-06**
(52) **U.S. Cl.**
USPC **D6/682.1**
(58) **Field of Classification Search**
USPC D6/672, 673, 680, 680.2, 680.3, 682, D6/682.1; D14/251, 253, 447; D10/28
CPC ... A63F 13/98; G06F 3/0346; G04B 37/1406; G04B 37/04; F16M 11/10; F16M 11/02
See application file for complete search history.

(56) **References Cited**

U.S. PATENT DOCUMENTS

D412,331 S * 7/1999 Nakamura D14/155
D638,406 S * 5/2011 Chiang D14/224
D673,321 S * 12/2012 Karkkainen D26/93
D677,090 S * 3/2013 Floyd D6/526
8,497,659 B2 * 7/2013 Navid H02J 7/0045
320/108

D708,187 S * 7/2014 Xiang D14/447
D714,775 S * 10/2014 Yoo D14/253
D751,564 S * 3/2016 Hahn D14/447
D762,650 S * 8/2016 Dang D14/434
D788,094 S * 5/2017 Kim D14/250
D788,699 S * 6/2017 Hoehn D13/107
D790,990 S * 7/2017 Hopkins D10/28
D792,415 S * 7/2017 Tsai D14/447
D794,984 S * 8/2017 Green D6/682.5
D799,463 S * 10/2017 Deng D14/252
D799,464 S * 10/2017 Zaihui D14/252
D799,494 S * 10/2017 Lee D14/447
D800,733 S * 10/2017 Burns D14/447
D803,219 S * 11/2017 Volek D14/434
D804,483 S * 12/2017 Minoli D14/434
D804,488 S * 12/2017 Burns D14/447
D804,489 S * 12/2017 Burns D14/447
D806,714 S * 1/2018 Nelson D14/447
D811,414 S * 2/2018 Lee D14/447
D816,656 S * 5/2018 Kim D14/253
D816,657 S * 5/2018 Kim D14/253

(Continued)

Primary Examiner — Kelley A Donnelly
(74) *Attorney, Agent, or Firm* — Global IP Services;
Tianhua Gu

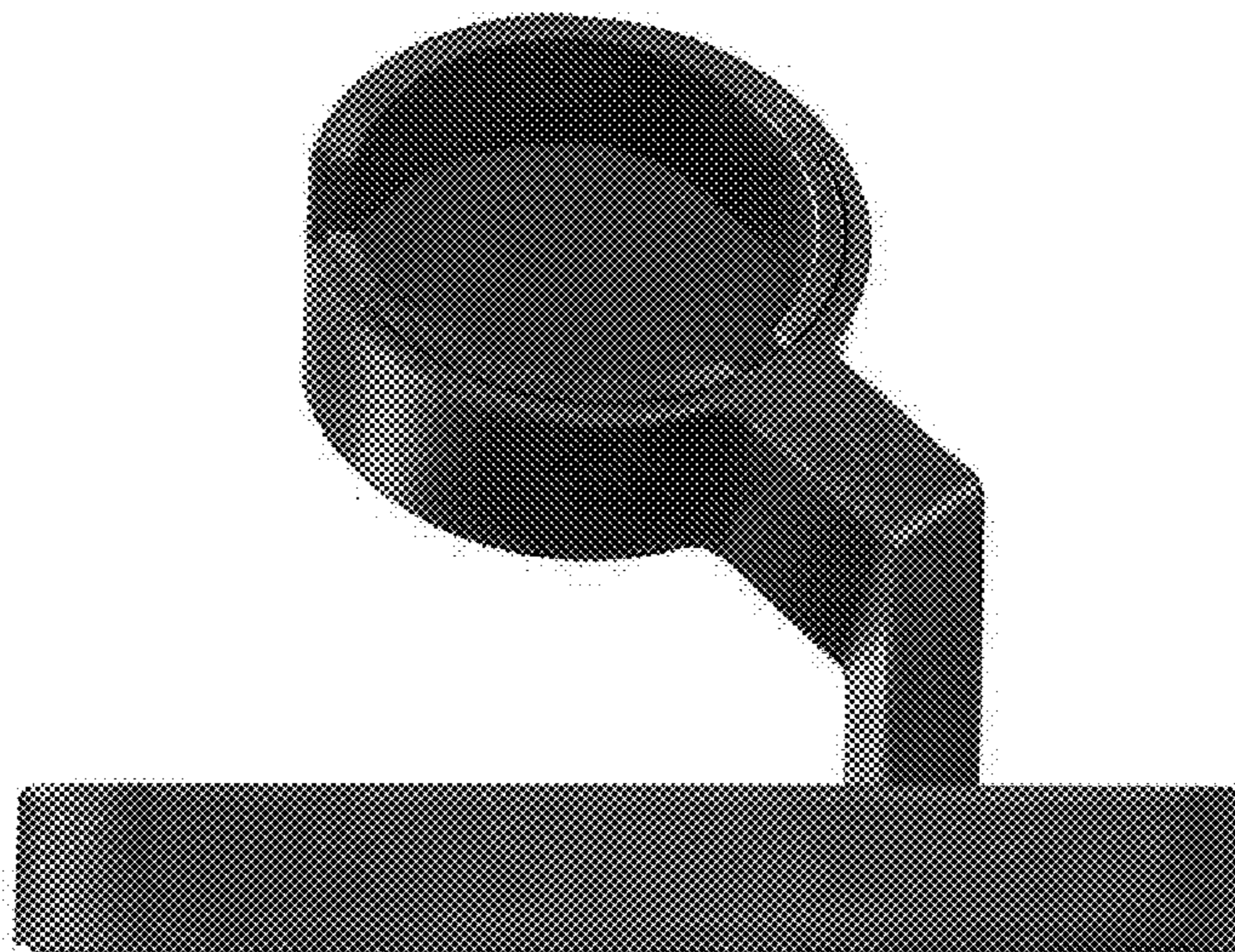
(57) **CLAIM**

The ornamental design for an Apple watch stand holder, as shown and described.

DESCRIPTION

FIG. 1 is a front elevational view of an Apple watch stand holder, showing my new design;
FIG. 2 is a rear elevational view thereof;
FIG. 3 is a left side elevational view thereof;
FIG. 4 is a right side elevational view thereof;
FIG. 5 is a top plan view thereof;
FIG. 6 is a bottom plan view thereof;
FIG. 7 is a top perspective view thereof; and,
FIG. 8 is a bottom perspective view thereof.

1 Claim, 4 Drawing Sheets



(56)

References Cited

U.S. PATENT DOCUMENTS

D826,851 S	*	8/2018	Wang	D13/108
D827,344 S	*	9/2018	Dillon	D6/682
D834,562 S	*	11/2018	Davids	D14/224
D835,112 S	*	12/2018	Kim	D14/447
D835,113 S	*	12/2018	Kim	D14/447
D835,493 S	*	12/2018	Chun	D8/354
D837,876 S	*	1/2019	Lyons	D18/4.5

* cited by examiner

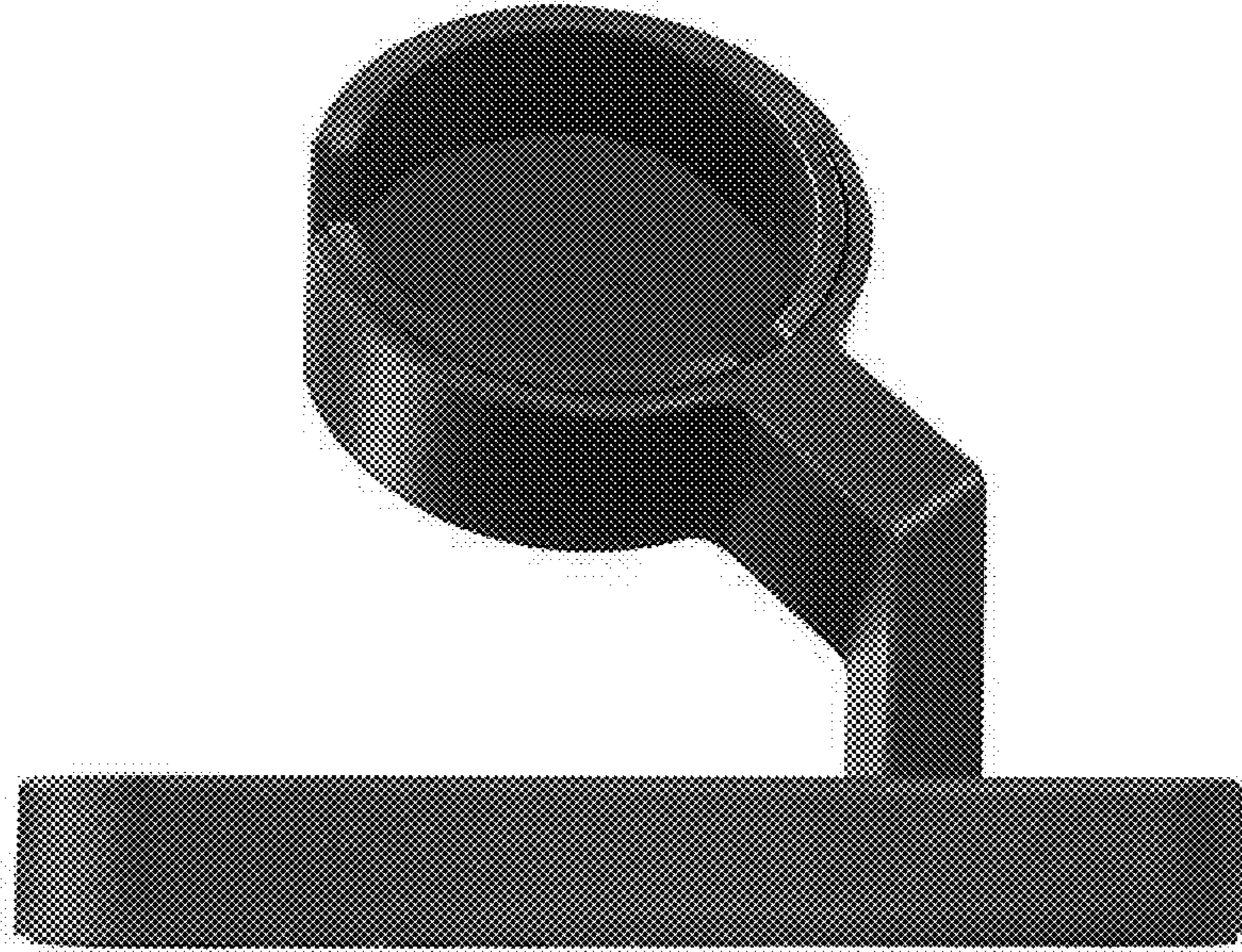


FIG. 1

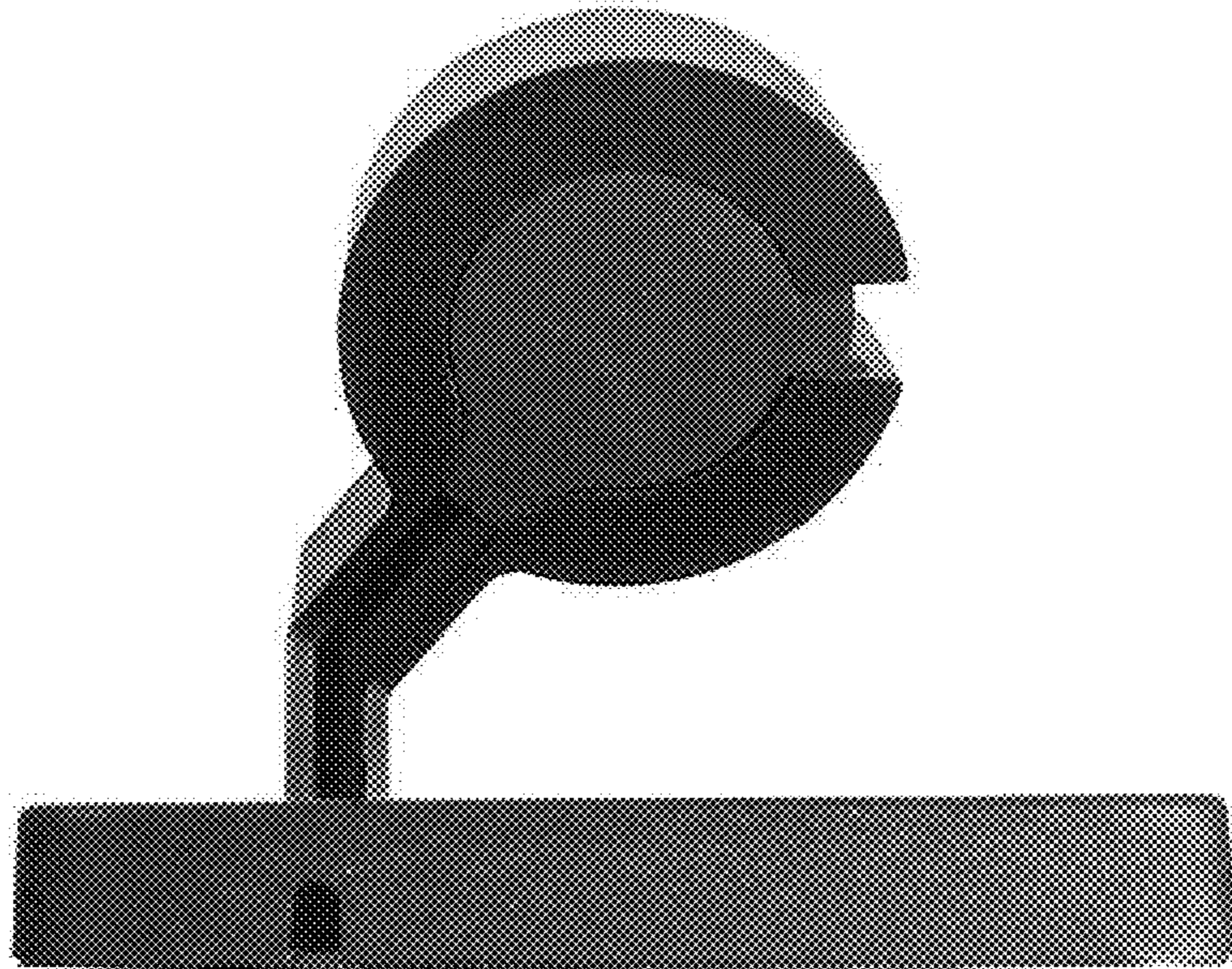


FIG. 2

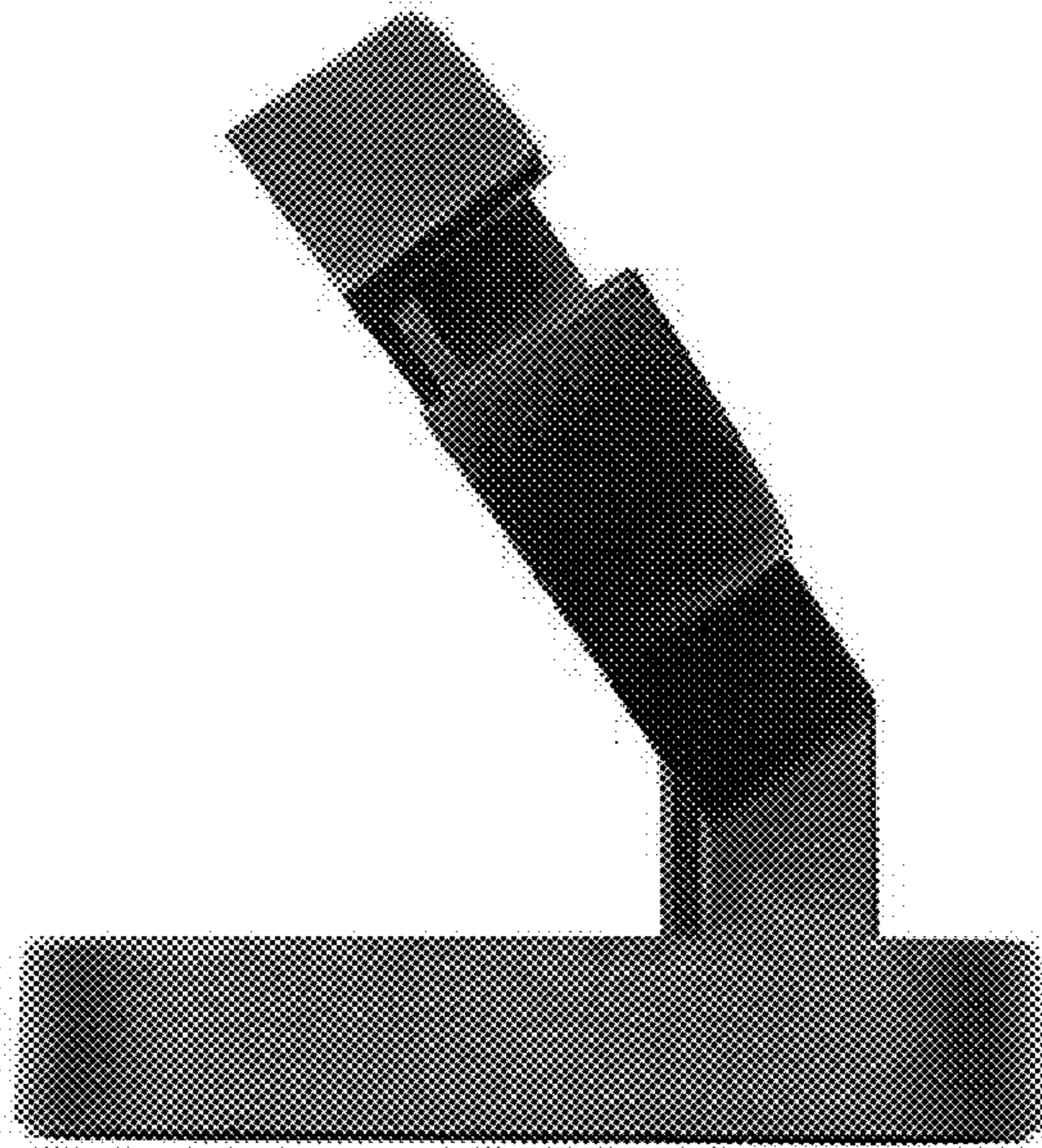


FIG. 3



FIG. 4

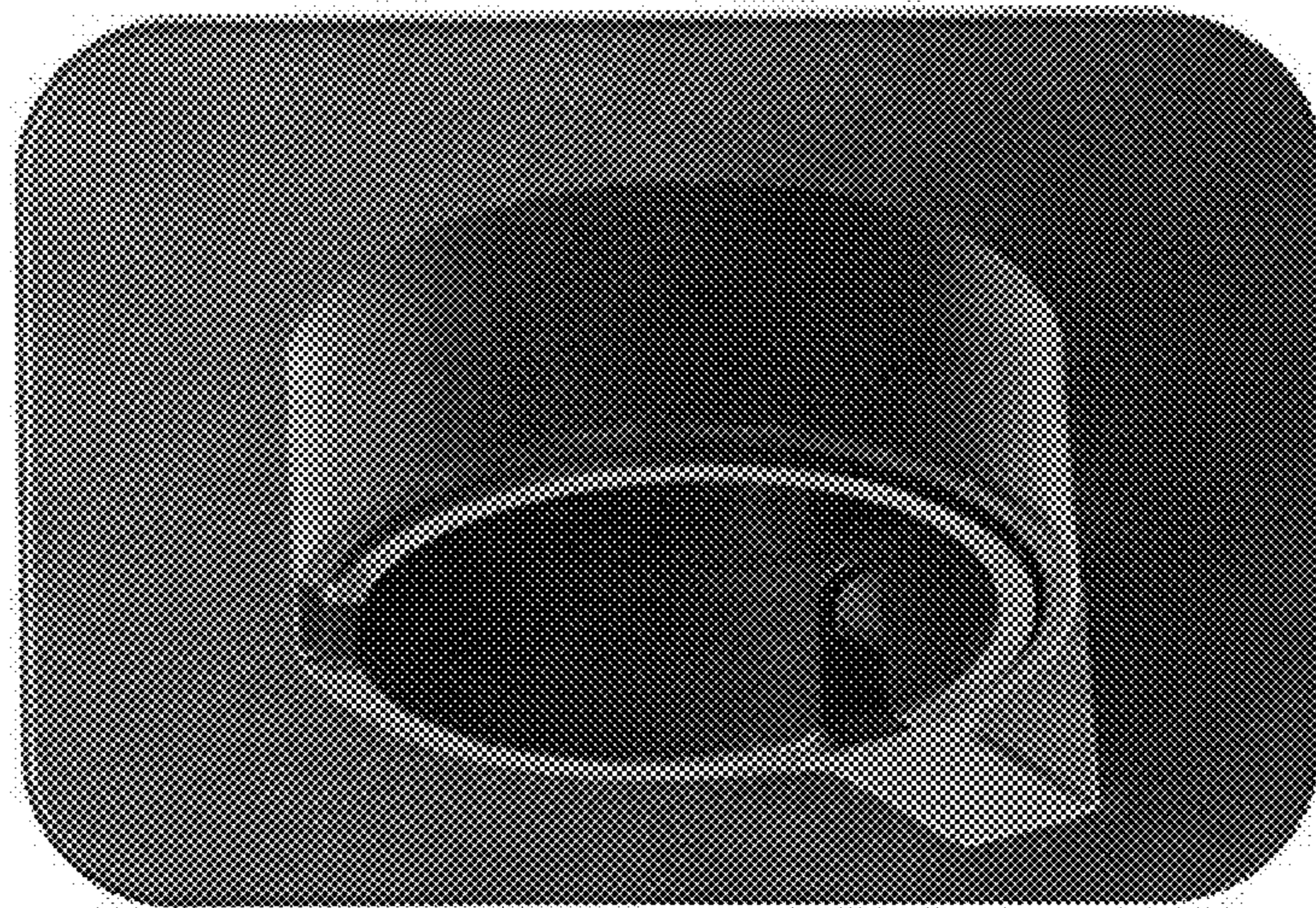


FIG. 5

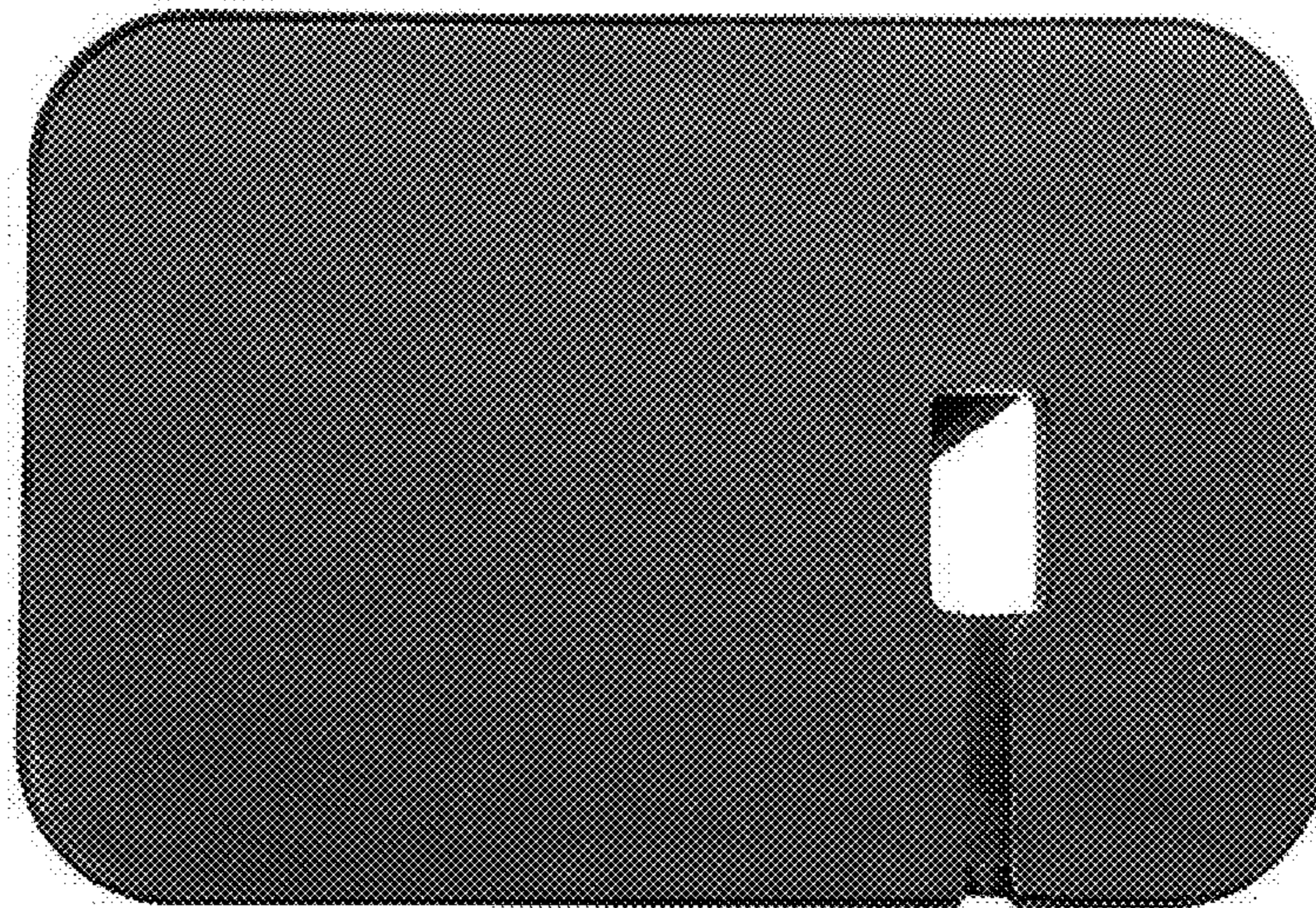


FIG. 6



FIG. 7



FIG. 8