



US00D851429S

(12) **United States Design Patent** (10) **Patent No.:** **US D851,429 S**
Greenspon et al. (45) **Date of Patent:** **** Jun. 18, 2019**

- (54) **Z-FRAME WARDROBE RACK**
- (71) Applicant: **Honey-Can-Do International, LLC**,
Berkeley, IL (US)
- (72) Inventors: **Steven B. Greenspon**, Berkeley, IL
(US); **Pamela S. Mical**, Brookfield, IL
(US); **Slobodan S. Zivanovic**, Des
Plaines, IL (US)
- (73) Assignee: **Honey-Can-Do International, LLC**,
Berkeley, IL (US)
- (**) Term: **15 Years**
- (21) Appl. No.: **29/631,940**
- (22) Filed: **Jan. 4, 2018**
- (51) **LOC (11) Cl.** **06-06**
- (52) **U.S. Cl.**
USPC **D6/675.4**
- (58) **Field of Classification Search**
USPC D9/642; D6/629, 657, 663-664, 672,
D6/672.1, 675, 675.1, 675.2, 682, 682.1,
D6/682.2
CPC .. H02B 1/26; A47B 81/00; B25H 3/00; B25H
3/04; H05K 5/00
See application file for complete search history.

- D736,548 S * 8/2015 Hornsby D6/681.1
- D749,879 S * 2/2016 Wall D6/680.3
- D752,161 S * 3/2016 Wartenbergh D21/691
- D753,940 S * 4/2016 Ruiz D6/681
- D790,892 S * 7/2017 Chung D6/681
- D805,329 S * 12/2017 Rockwell D6/675.3
- D809,835 S * 2/2018 Greenspon D6/681
- D819,374 S * 6/2018 Kuehn D6/681.2
- D827,342 S * 9/2018 Stukenberg D6/681
- D827,964 S * 9/2018 Barre D06F 95/004
D32/58
- D829,473 S * 10/2018 Mical D6/681
- D836,956 S * 1/2019 Tsuchiyama D6/675.1
- 2007/0272642 A1 * 11/2007 Baptiste A47B 43/00
211/201
- 2012/0074082 A1 * 3/2012 Hornsby A47G 25/0685
211/85.3
- 2015/0008201 A1 * 1/2015 Qiang A47F 7/24
211/85.3

* cited by examiner

Primary Examiner — Kelley A Donnelly
(74) *Attorney, Agent, or Firm* — Adam K. Sacharoff;
Much Shelist, P.C.

(57) **CLAIM**

The ornamental design for an Z-frame wardrobe rack, as shown and described.

(56) **References Cited**

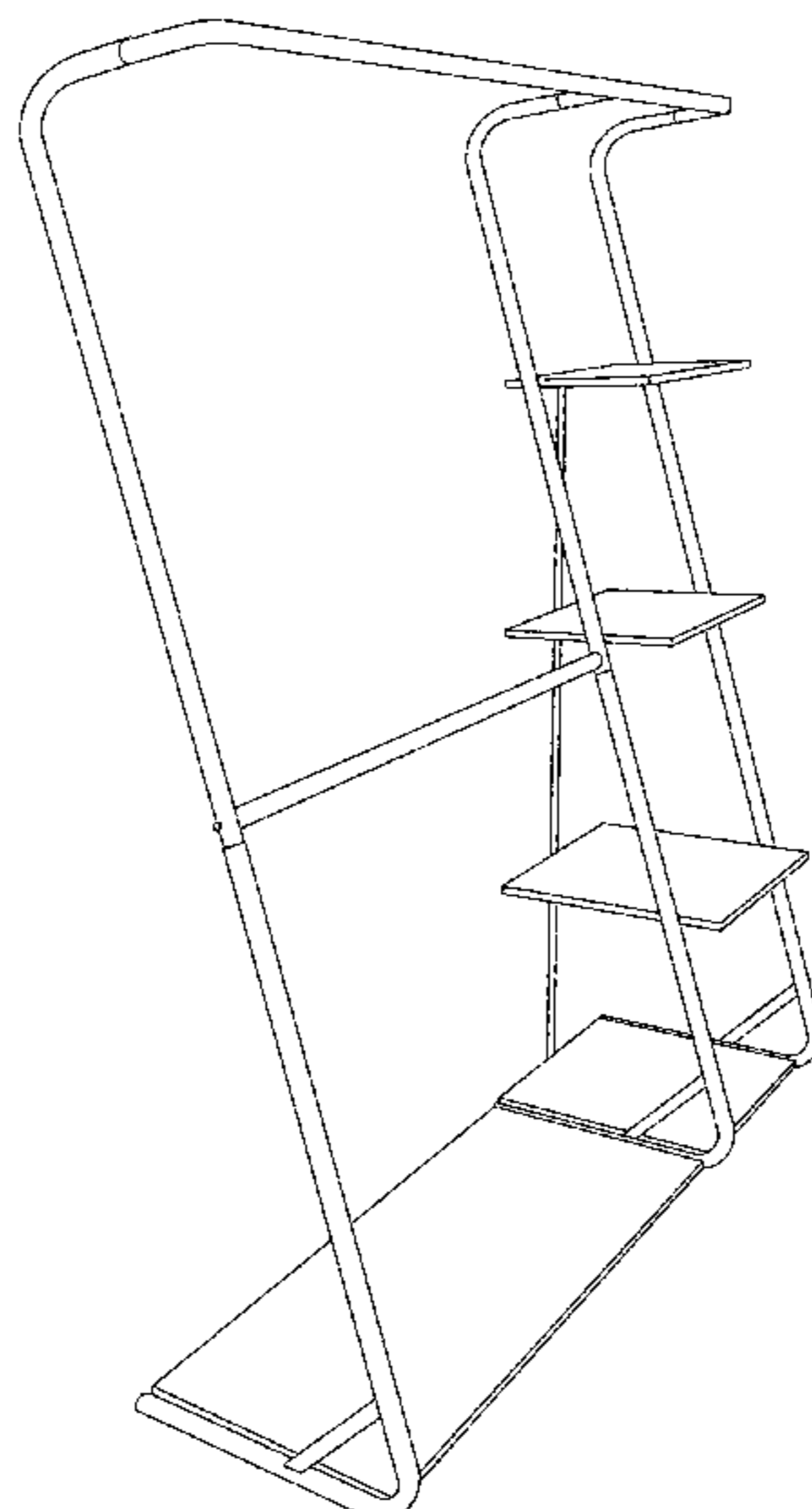
U.S. PATENT DOCUMENTS

- 3,303,938 A * 2/1967 Solomon A47F 7/24
211/182
- D248,808 S * 8/1978 Offredi D6/662.1
- D367,188 S * 2/1996 Levine D6/407
- D465,355 S * 11/2002 Luong D6/630
- D538,065 S * 3/2007 Benson D6/678.4
- D543,382 S * 5/2007 Glassenberg D6/678.4
- 8,528,919 B2 * 9/2013 Webster B62B 3/008
280/651
- D730,247 S * 5/2015 Weeks D12/115

DESCRIPTION

FIG. 1 is a front perspective view of an Z-frame wardrobe rack, showing my new design;
FIG. 2 is a front elevation view thereof;
FIG. 3 is a back elevation view thereof;
FIG. 4 is a right side view thereof;
FIG. 5 is a left side view thereof;
FIG. 6 is a top plan view thereof; and,
FIG. 7 is a bottom plan view thereof.

1 Claim, 5 Drawing Sheets



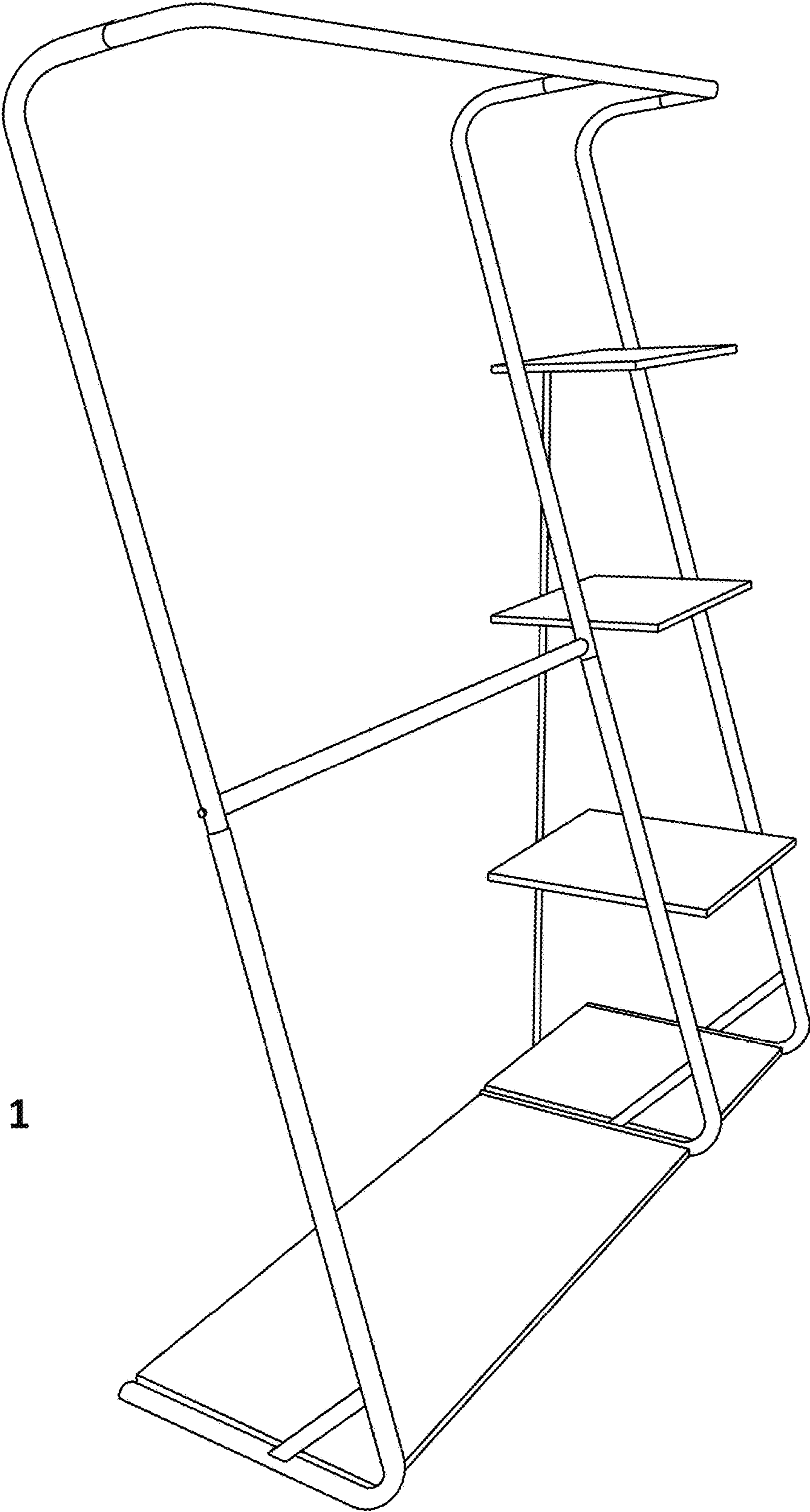


FIG. 1

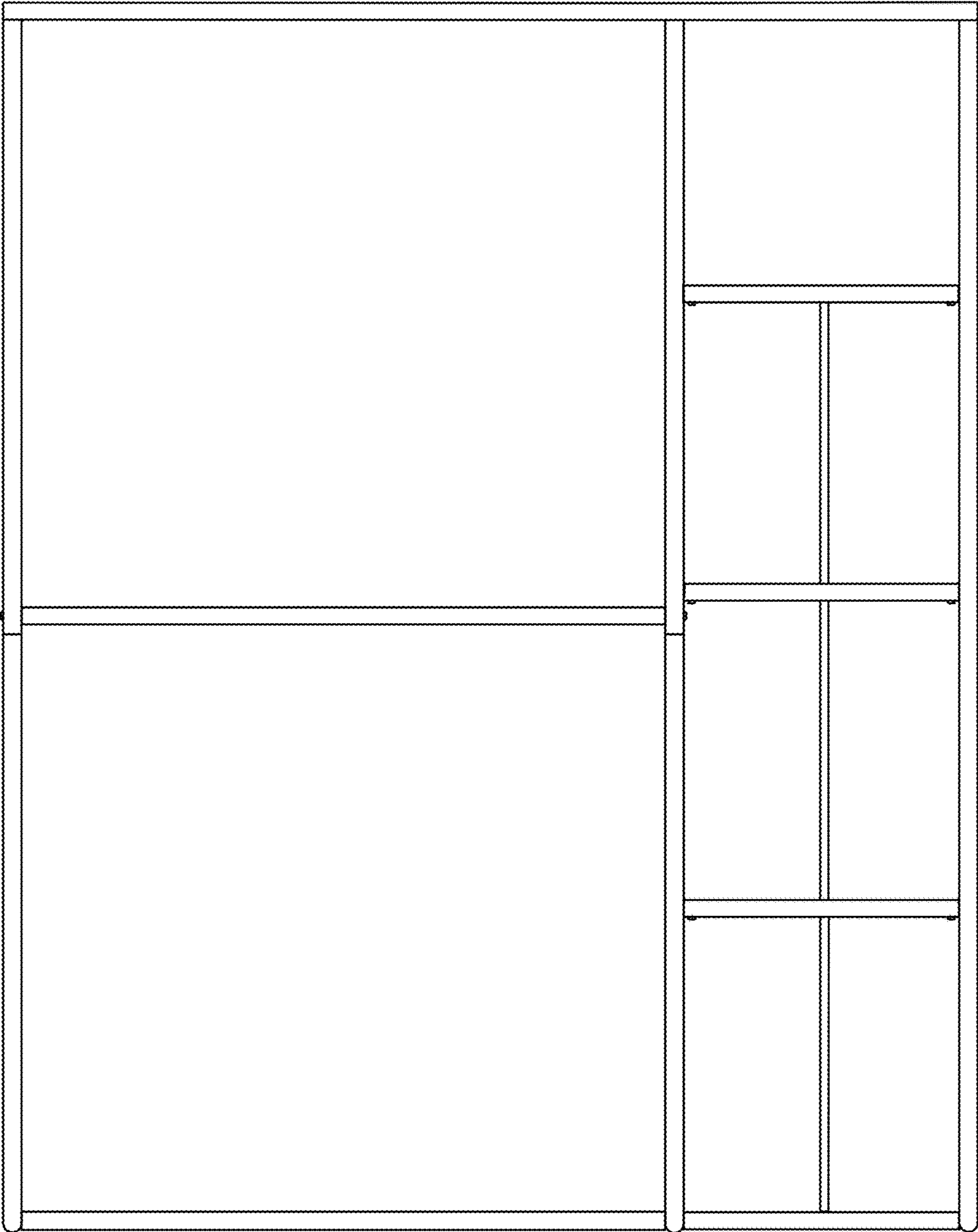


FIG. 2

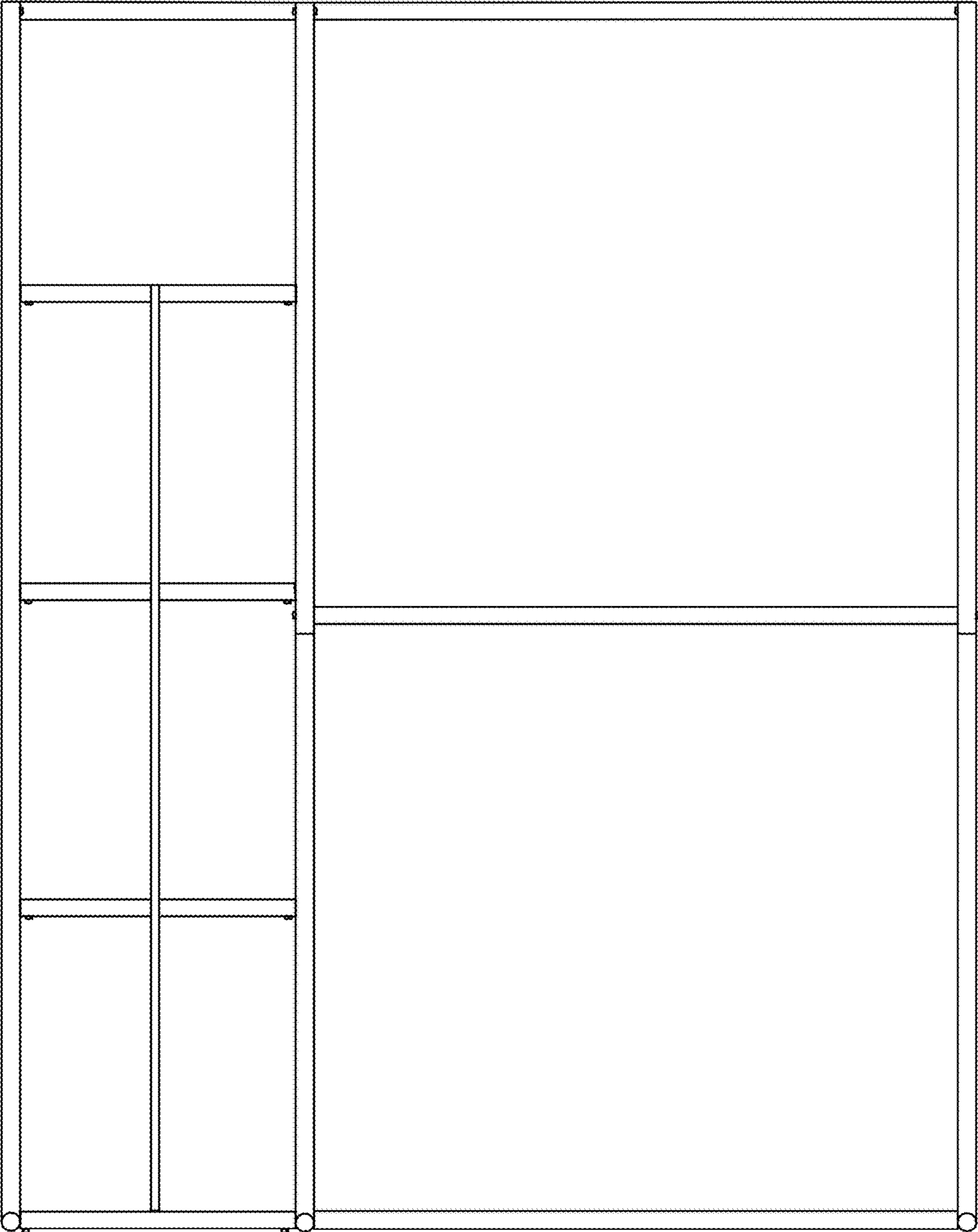


FIG. 3

FIG. 4

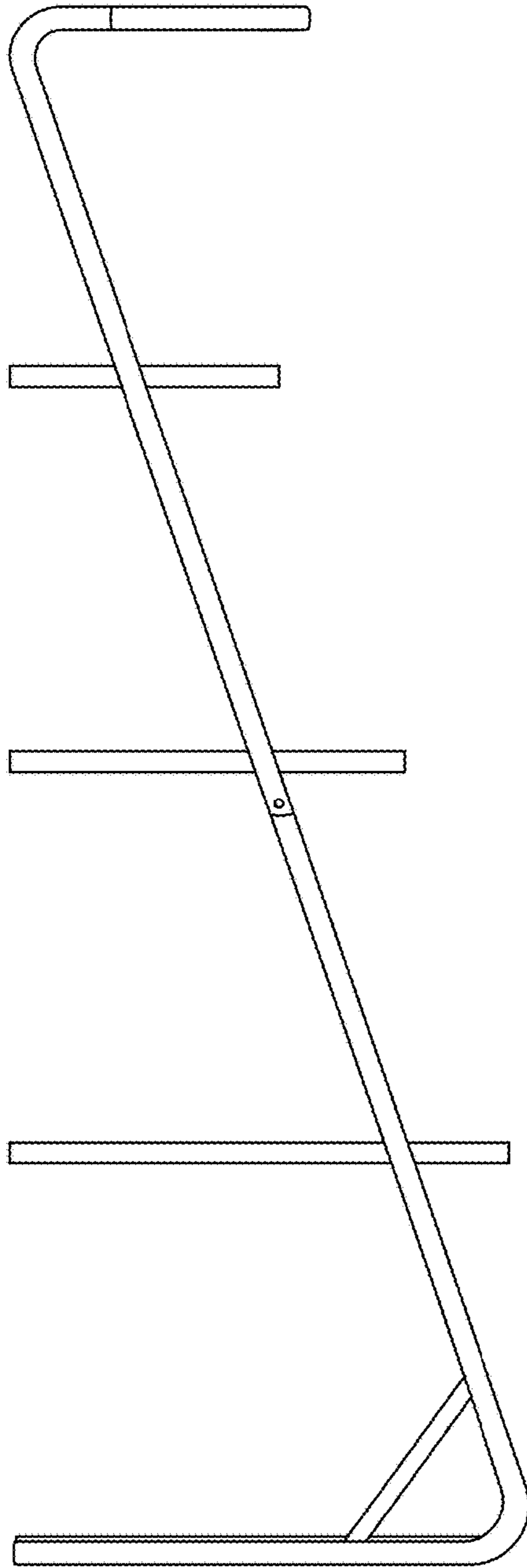
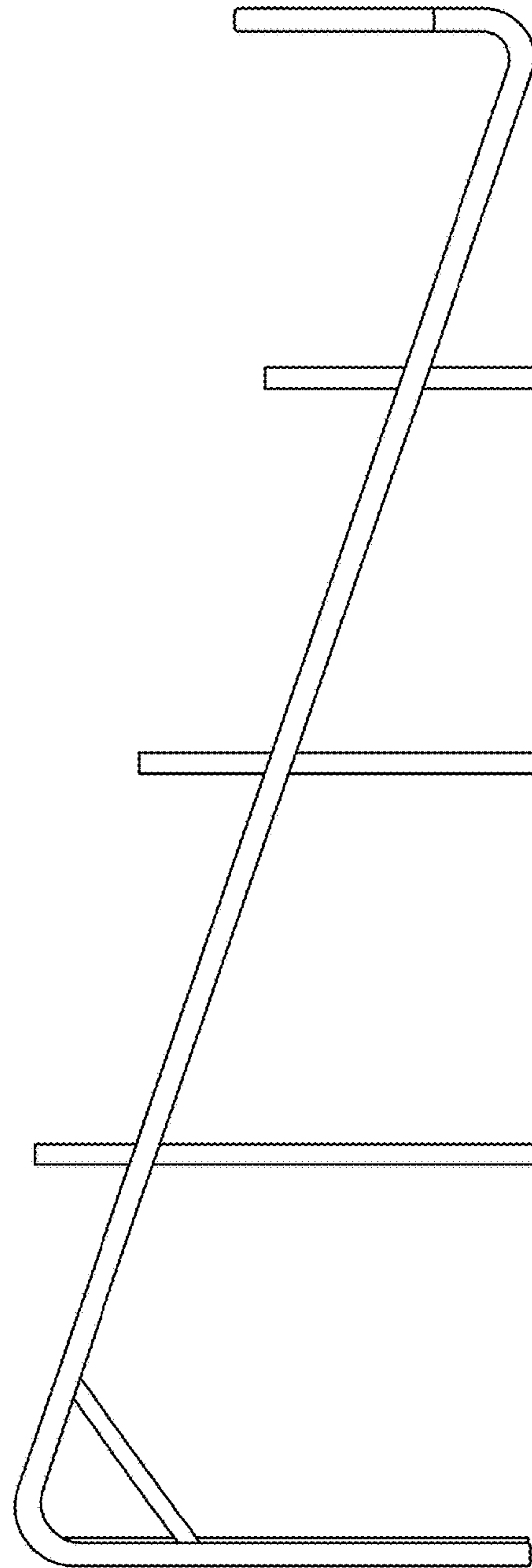


FIG. 5



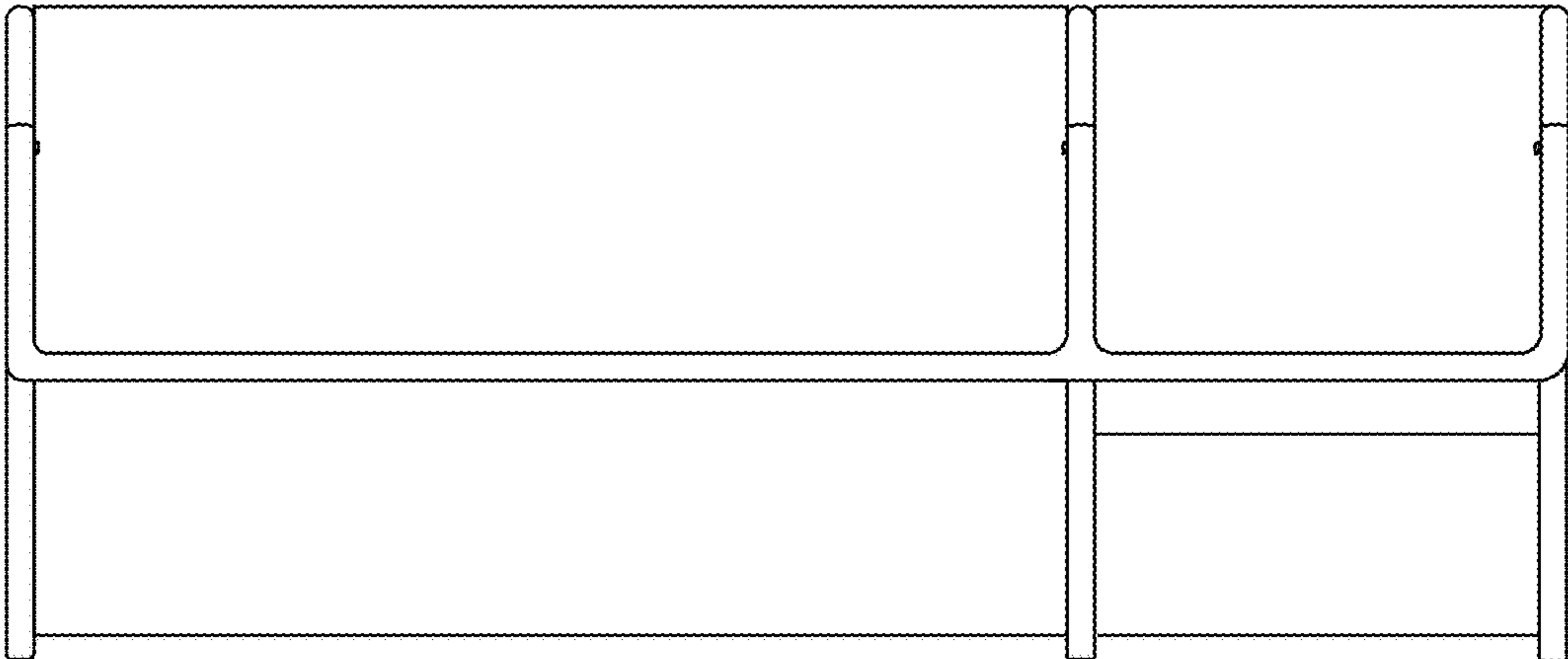


FIG. 6

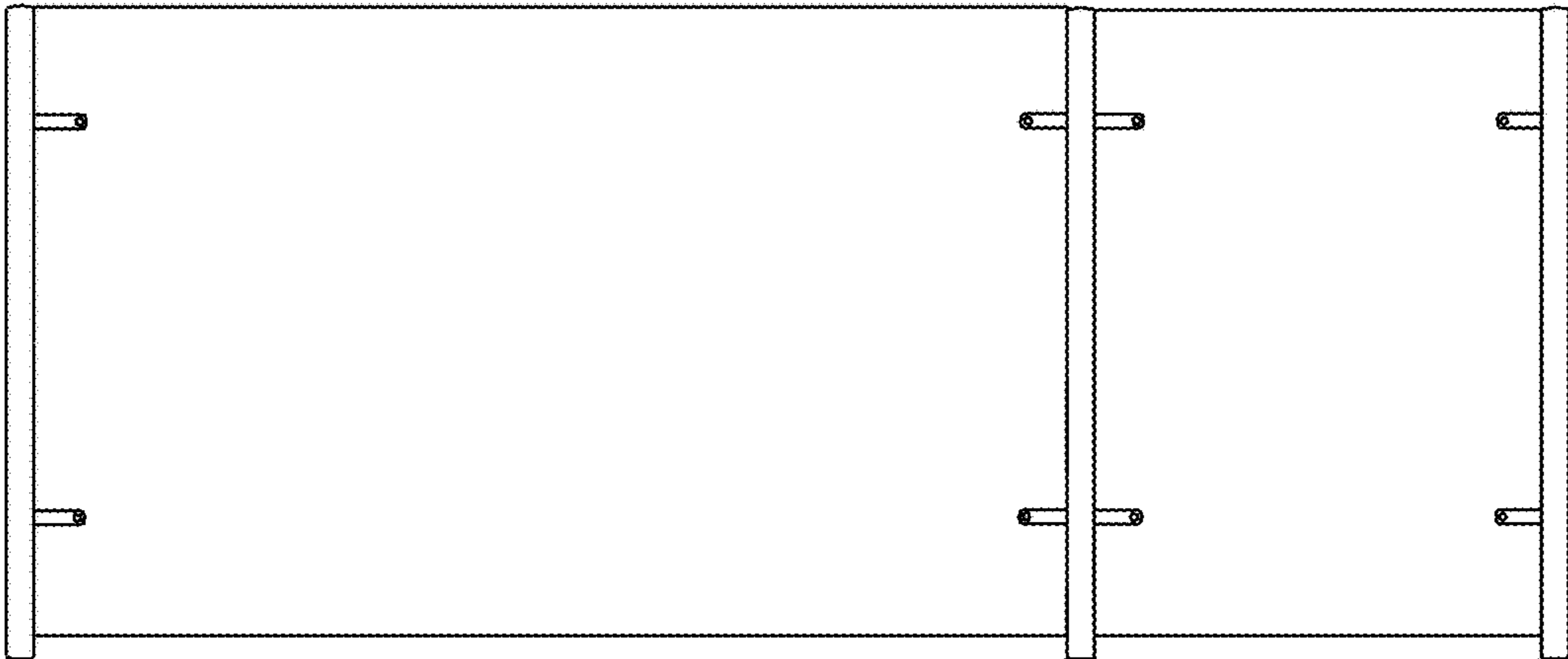


FIG. 7