



US00D851426S

(12) **United States Design Patent**
Saotome

(10) **Patent No.:** **US D851,426 S**
(45) **Date of Patent:** **** Jun. 18, 2019**

(54) **STORAGE FURNITURE**

(71) Applicant: **Okamura Corporation**, Yokohama-shi,
Kanagawa (JP)

(72) Inventor: **Hiroshi Saotome**, Yokohama (JP)

(73) Assignee: **Okamura Corporation**, Yokohama-shi,
Kanagawa (JP)

(**) Term: **15 Years**

(21) Appl. No.: **29/622,456**

(22) Filed: **Oct. 17, 2017**

(30) **Foreign Application Priority Data**

Apr. 17, 2017 (JP) 2017-008213
May 16, 2017 (JP) 2017-010438

(51) **LOC (11) Cl.** **06-04**

(52) **U.S. Cl.**
USPC **D6/663**

(58) **Field of Classification Search**
USPC D6/407, 657, 661, 663, 664, 664.1,
D6/668.2, 671, 671.1, 671.4, 675, 675.1,
(Continued)

(56) **References Cited**

U.S. PATENT DOCUMENTS

2,489,493 A * 11/1949 Kuenzie A47B 87/002
312/107
D183,788 S * 10/1958 Carter D6/671.1
(Continued)

OTHER PUBLICATIONS

“BDI Home Office Corridor 6529 Storage Credenza” May 18, 2017,
wellshome.com, site visited Jan. 16, 2019 <<https://www.wellshome.com/bdi-corridor-6529-storage-credenza/6529%20cw1-1729/iteminformation.aspx>> (Year: 2017).*

(Continued)

Primary Examiner — Kevin K Rudzinski

Assistant Examiner — Paul D Bohannon

(74) *Attorney, Agent, or Firm* — Banner & Witcoff, Ltd.

(57) **CLAIM**

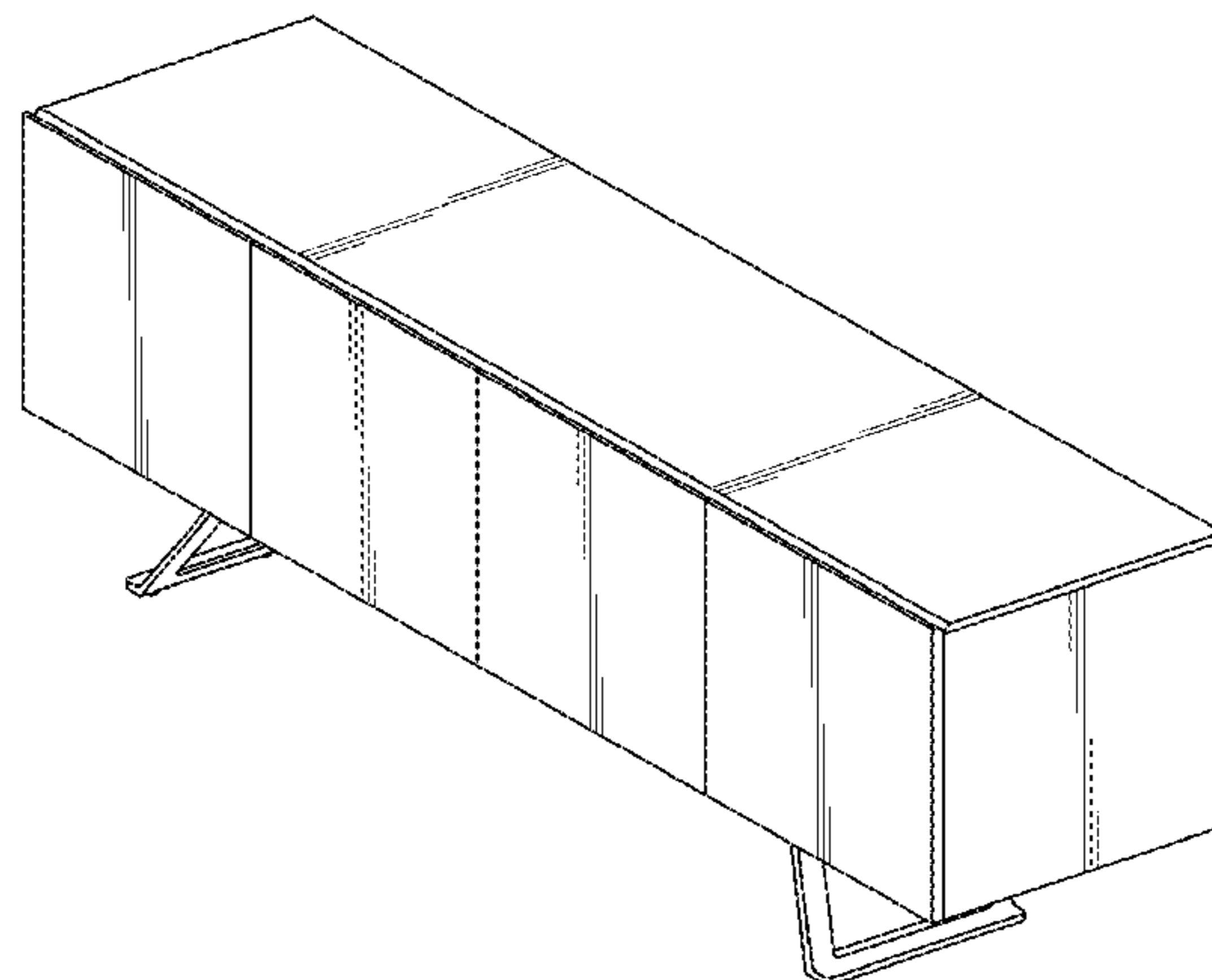
The ornamental design for a storage furniture, as shown and described.

DESCRIPTION

FIG. 1 is a front perspective view of a first embodiment of a storage furniture showing my new design; FIG. 2 is a rear perspective view thereof; FIG. 3 is a front view thereof; FIG. 4 is a right side view thereof, the left view thereof being a mirror image; FIG. 5 is a top view thereof; FIG. 6 is a rear view thereof; FIG. 7 is a bottom view thereof; FIG. 8 is a cross-sectional view taken along the line 8-8 in FIG. 5; FIG. 9 is a cross-sectional view taken along the line 9-9 in FIG. 3; FIG. 10 is a front perspective view of a second embodiment of a storage furniture showing my new design; FIG. 11 is a rear perspective view thereof; FIG. 12 is a front view thereof; FIG. 13 is a right side view thereof, the left view thereof being a mirror image; FIG. 14 is a top view thereof; FIG. 15 is a rear view thereof; FIG. 16 is a bottom view thereof; FIG. 17 is a cross-sectional view taken along the line 17-17 in FIG. 14; and, FIG. 18 is a cross-sectional view taken along the line 18-18 in FIG. 12.

The broken lines shown in the drawings are included for the purpose of illustrating portions of the storage furniture that form no part of the claimed design.

1 Claim, 10 Drawing Sheets



US D851,426 S

Page 2

(58) **Field of Classification Search**

USPC D6/675.5, 683.1, 691.1, 691.8, 691.9,
D6/702, 703; D14/168, 184; D15/85
CPC ... A47B 47/024; A47B 87/008; A47B 87/002;
A47B 88/48; A47B 88/90; A47F 3/0413;
A47F 5/116; A47F 5/0018; A47F 9/00;
Y10T 428/24694; F25D 21/14; F25D
23/069; F25D 2400/10

See application file for complete search history.

(56) **References Cited**

U.S. PATENT DOCUMENTS

D188,196 S * 6/1960 Lubberts et al. D6/671.1
D213,323 S * 2/1969 Buccino et al. D6/675
D216,899 S * 3/1970 Szirmay D6/671.1
D220,442 S * 4/1971 Beavers D6/671
D226,831 S * 5/1973 Allen D6/671.1
D226,832 S * 5/1973 Allen D6/671.1
D233,292 S * 10/1974 Rosen D6/671.1

D249,429 S * 9/1978 Robinson D6/671
D293,177 S * 12/1987 Hamami D6/671.1
D485,709 S * 1/2004 de Blois D6/675
D517,344 S * 3/2006 Zens D6/407
D598,672 S * 8/2009 Maly D6/671.1
D610,829 S * 3/2010 Nelsen D6/664
D644,853 S * 9/2011 Becker D6/661
D686,015 S * 7/2013 Arko D6/703
D728,280 S * 5/2015 Weatherly D6/671.1
D742,667 S * 11/2015 Weatherly D6/671.1
D743,721 S * 11/2015 Weatherly D6/671.1
D781,620 S * 3/2017 Curthelet D6/671
D790,893 S * 7/2017 Grossinger D6/691

OTHER PUBLICATIONS

“Calligaris Seattle 4 Door Buffet” Jan. 10, 2009, stores.
advancedinteriordesigns.com, site visited Jan. 16, 2019 <[http://](http://stores.advancedinteriordesigns.com/calligaris-seattle-4-door-buffet/)
stores.advancedinteriordesigns.com/calligaris-seattle-4-door-buffet/
> (Year: 2009).*

* cited by examiner

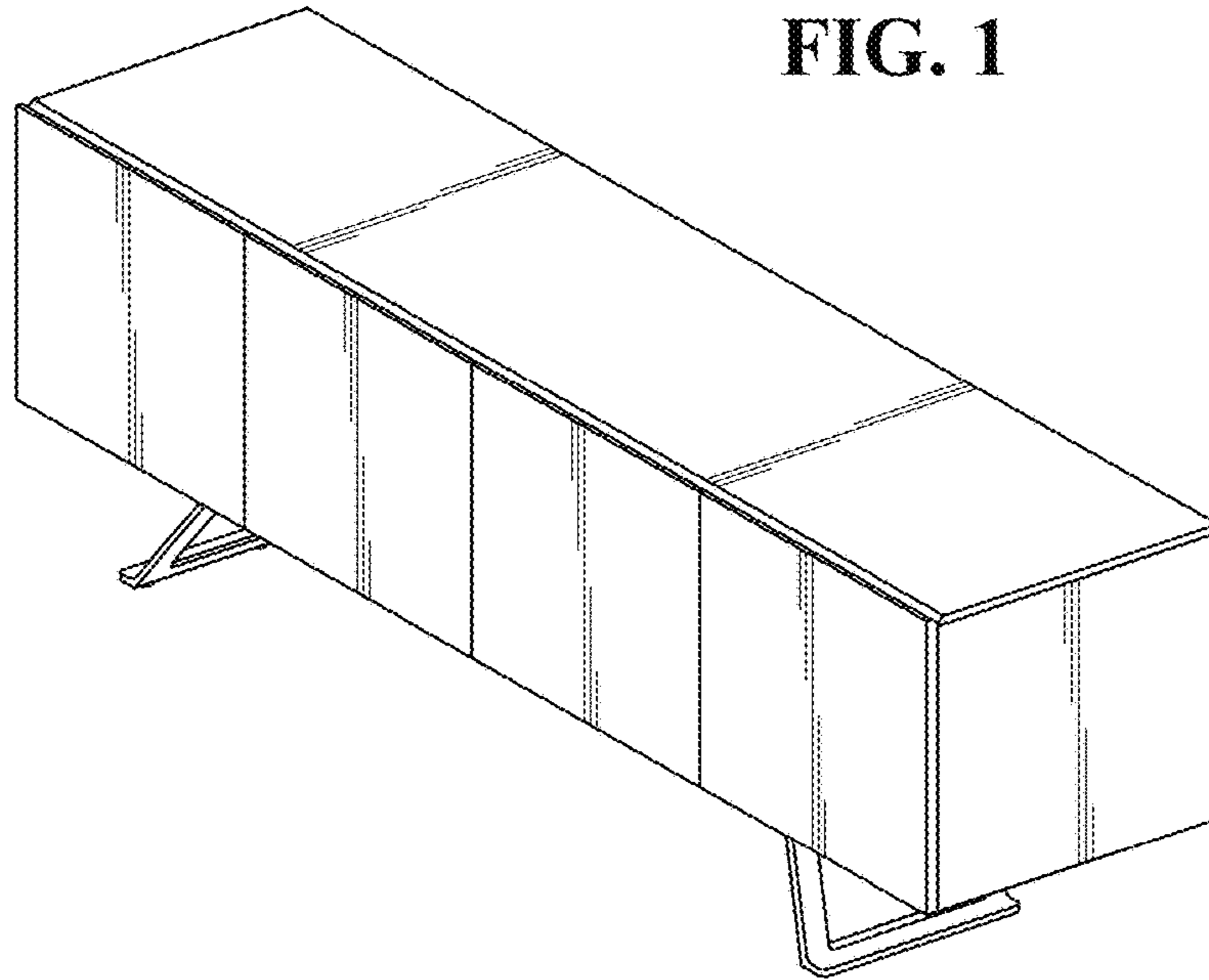


FIG. 1

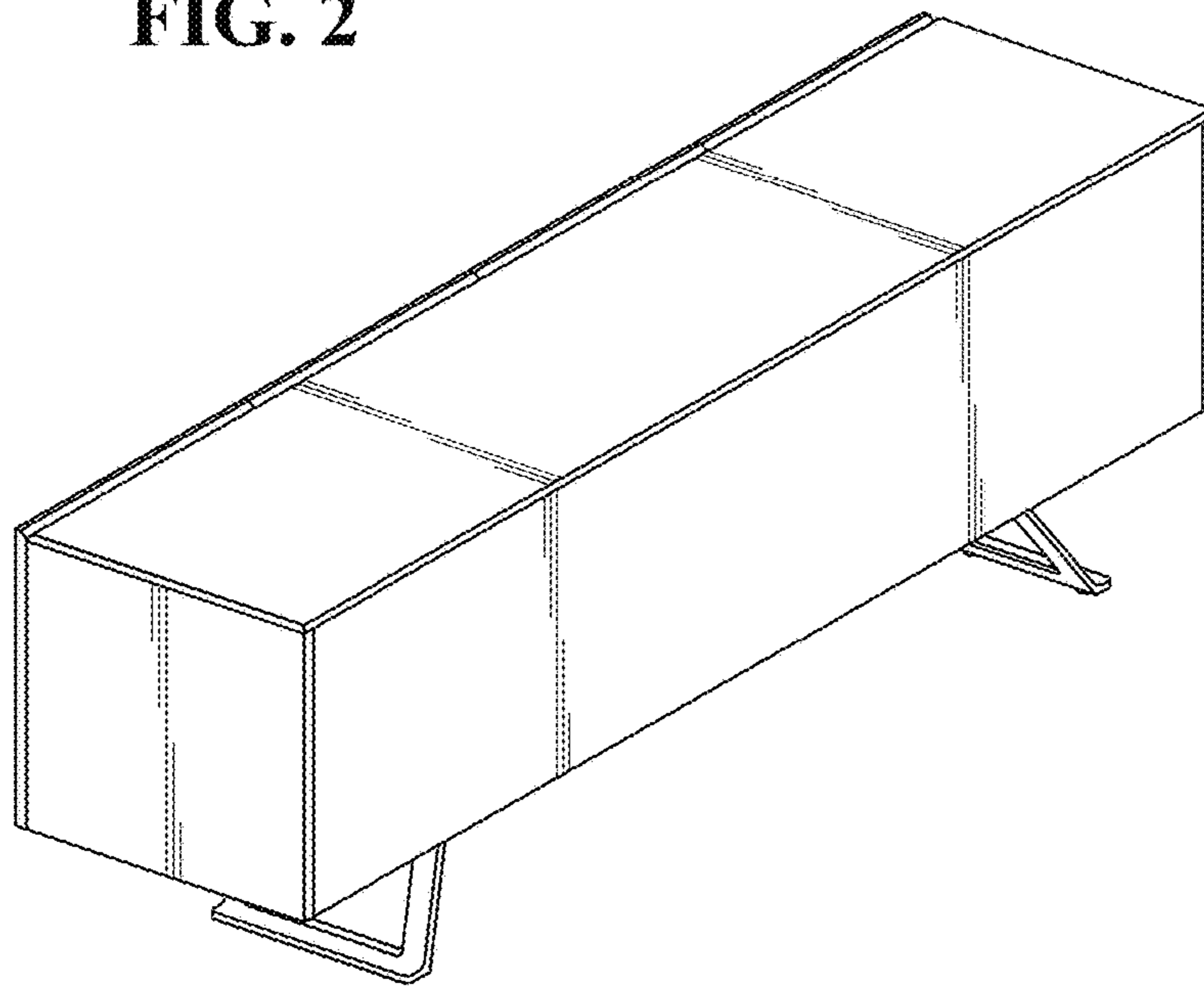


FIG. 2

FIG. 3

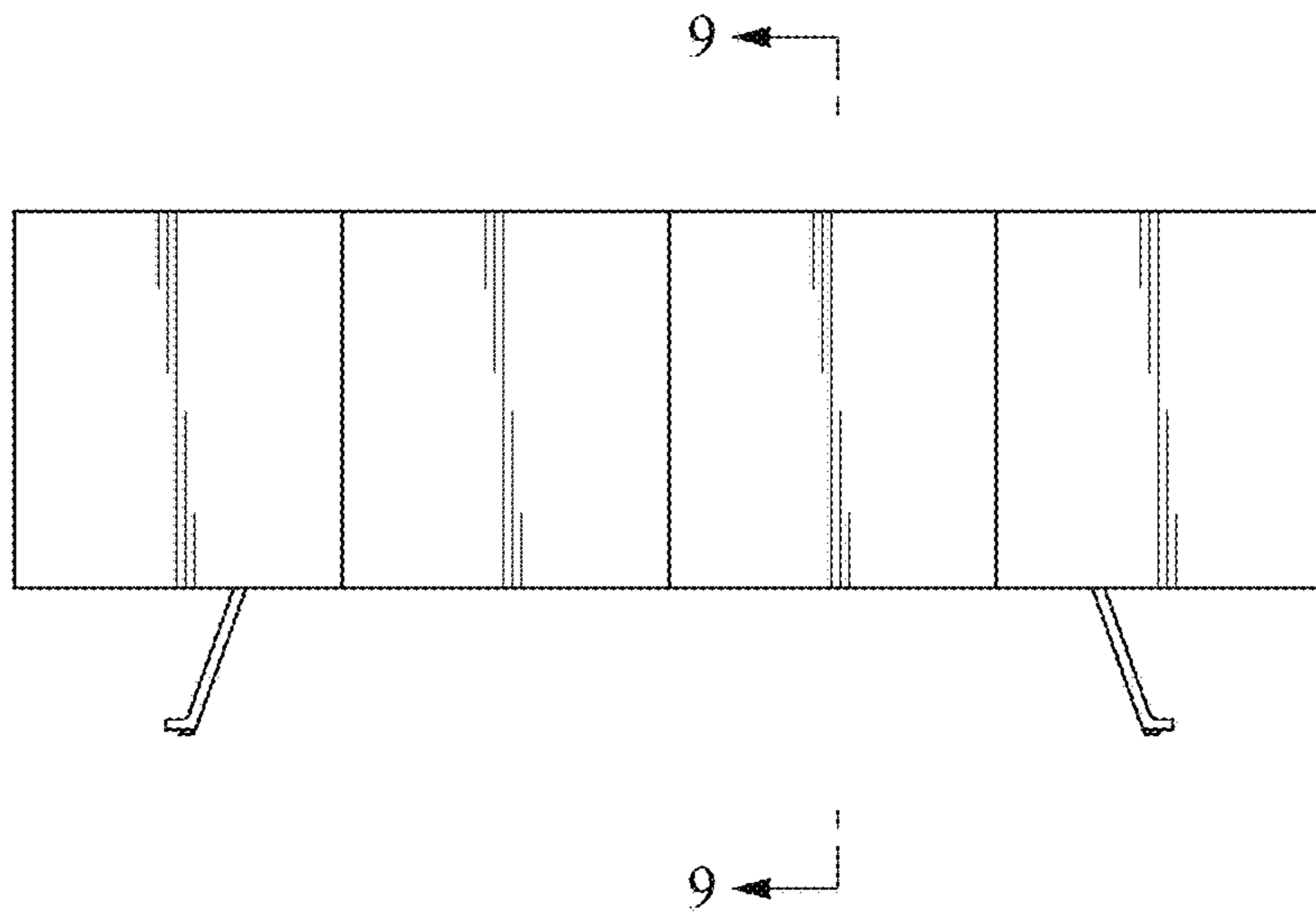


FIG. 4

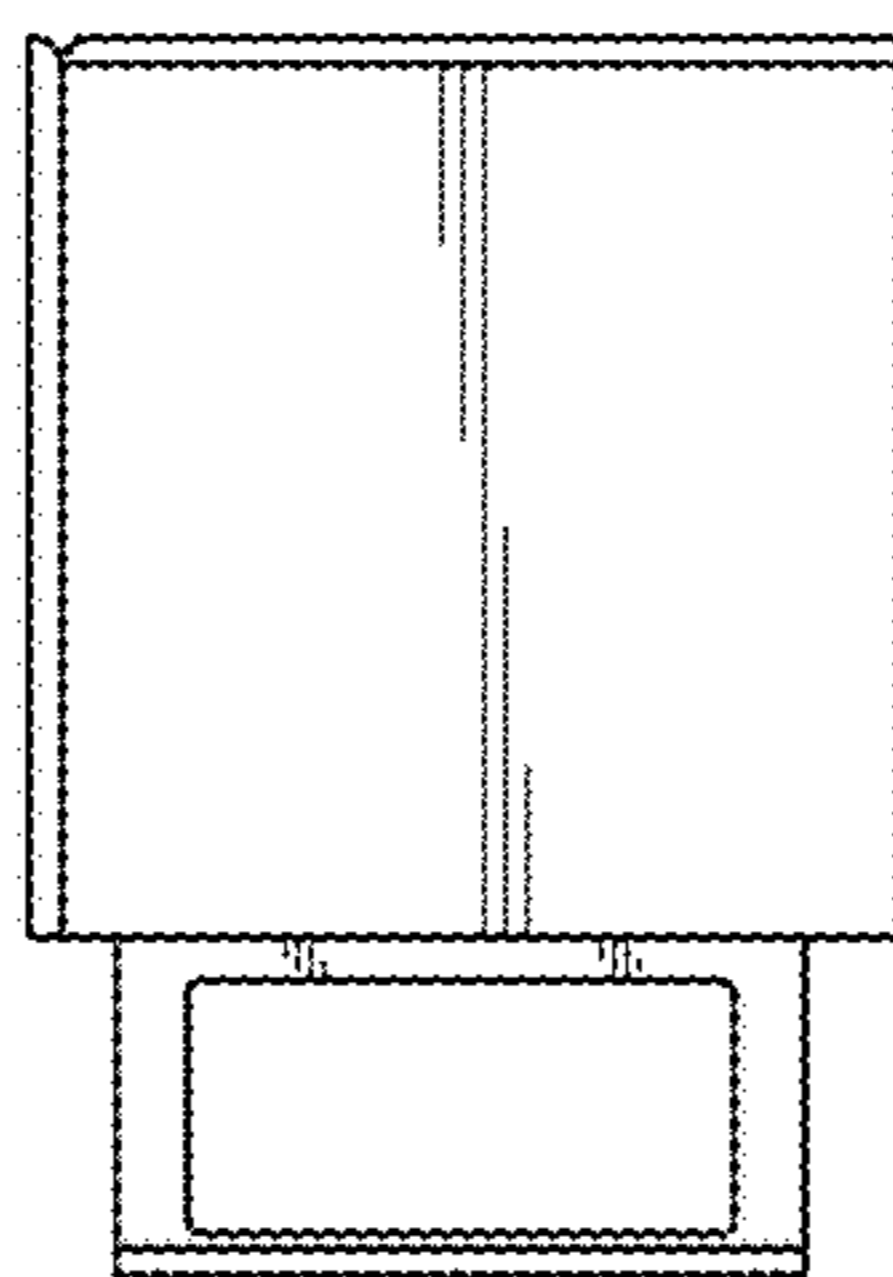


FIG. 5

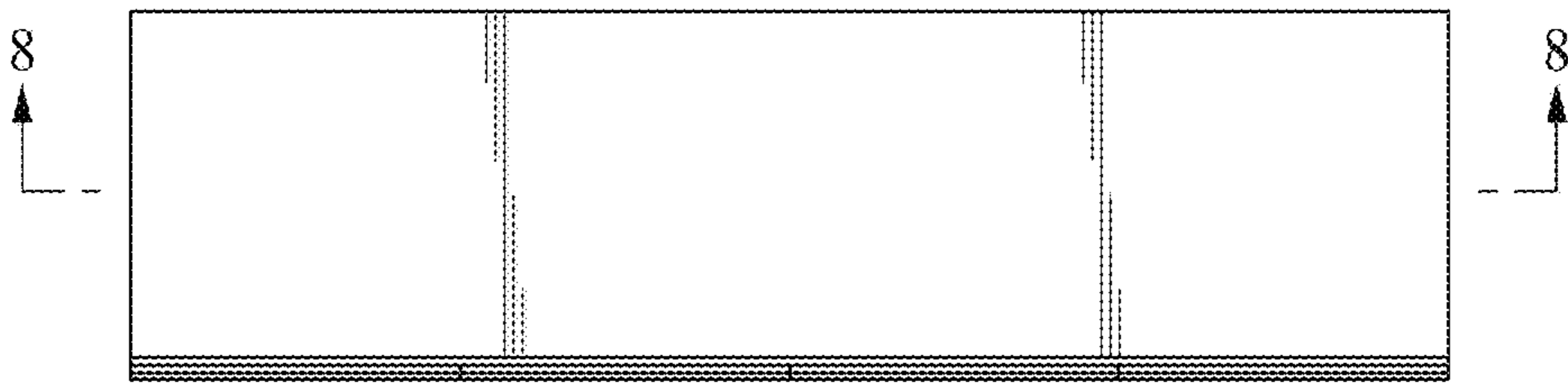


FIG. 6

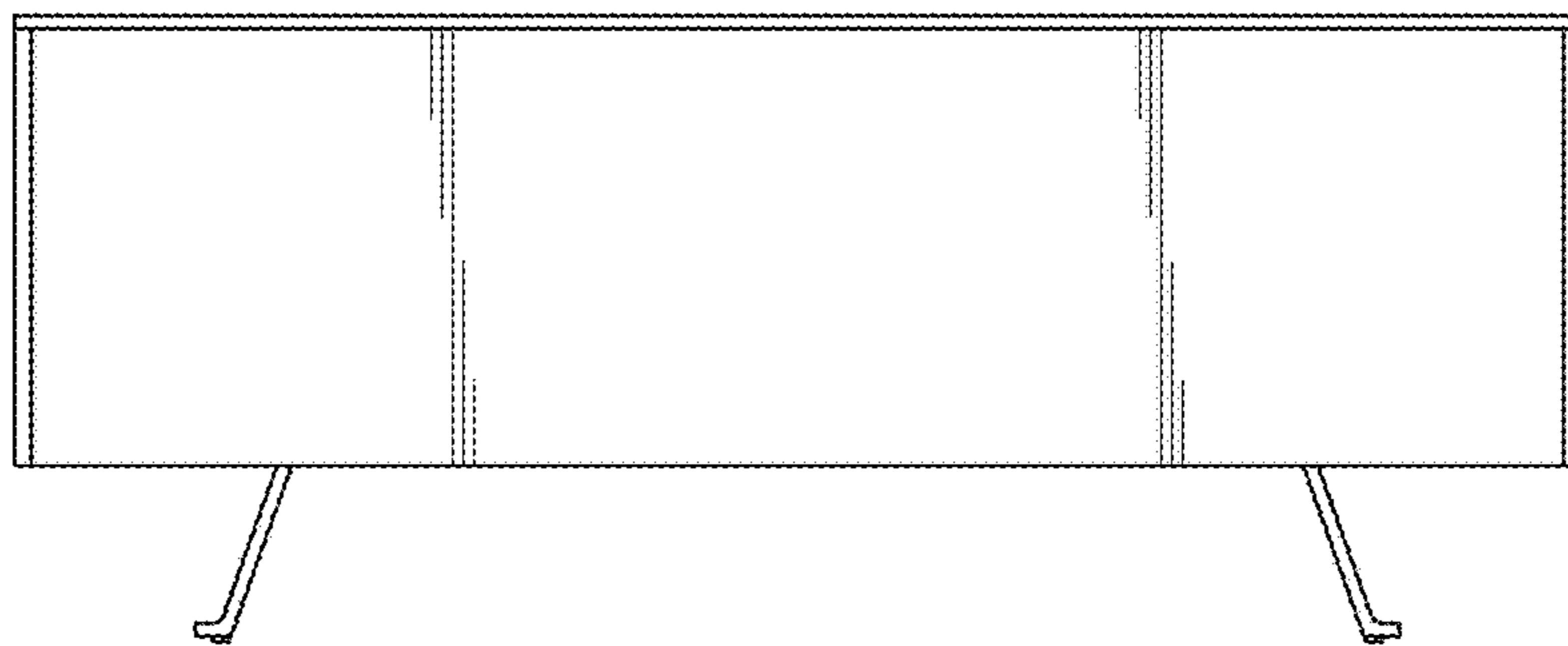


FIG. 7

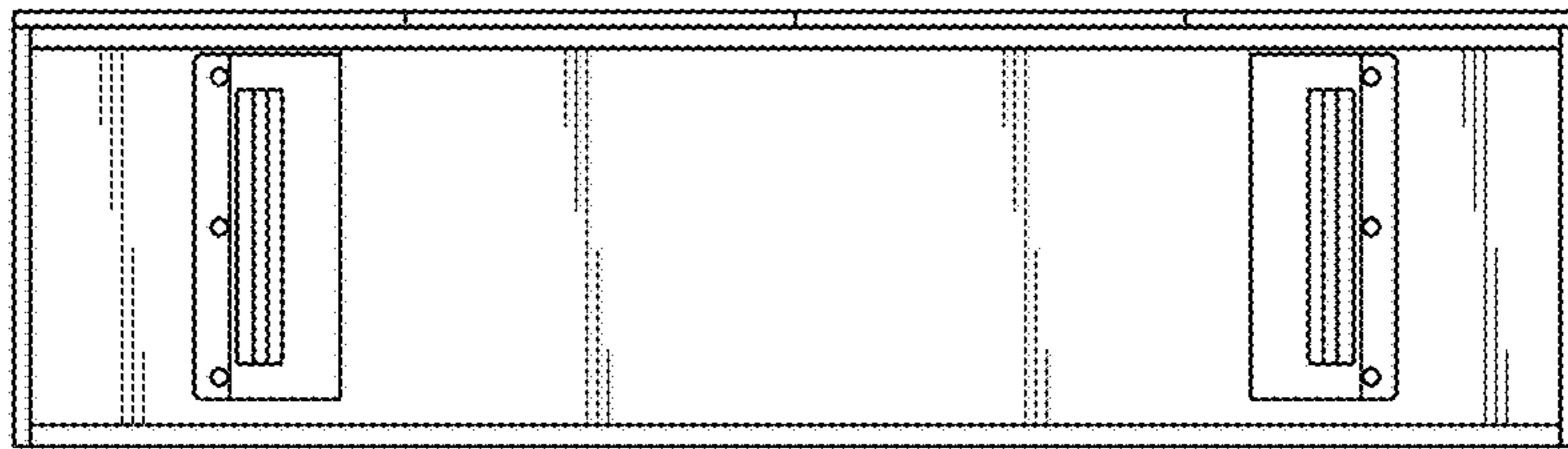


FIG. 8

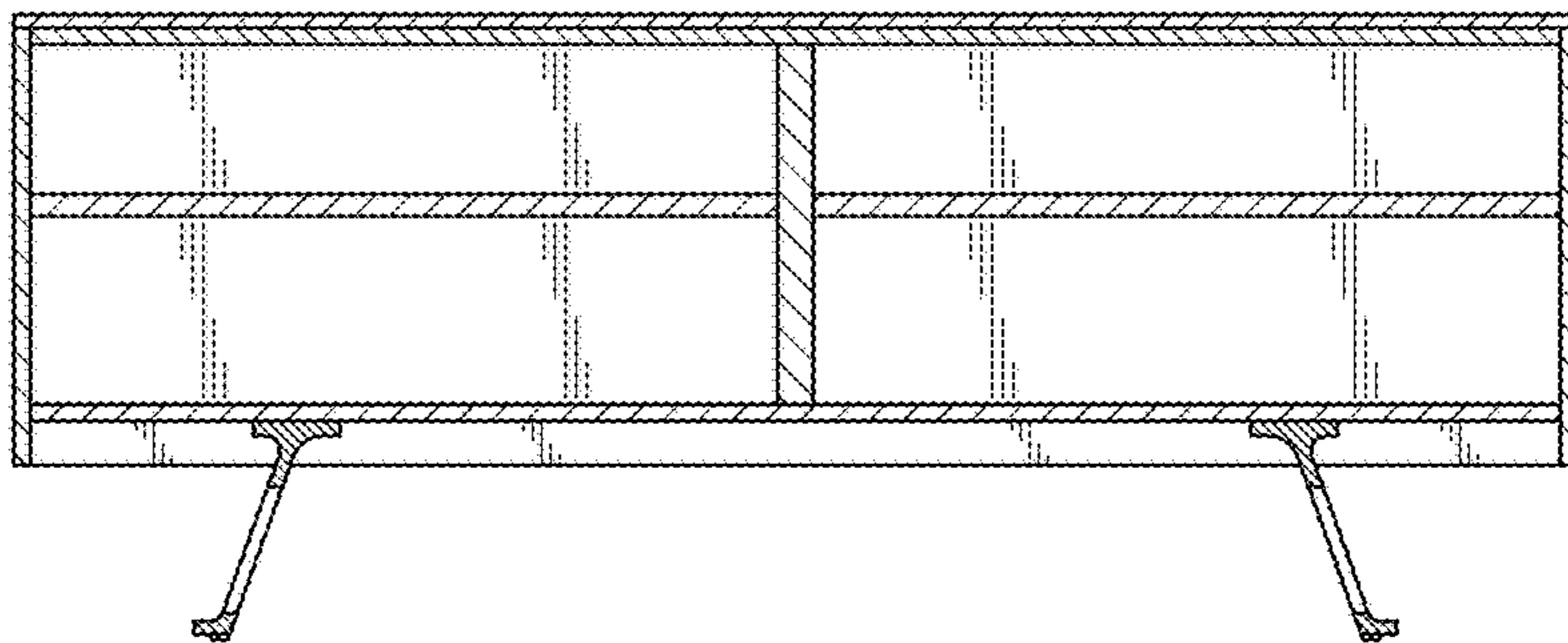


FIG. 9

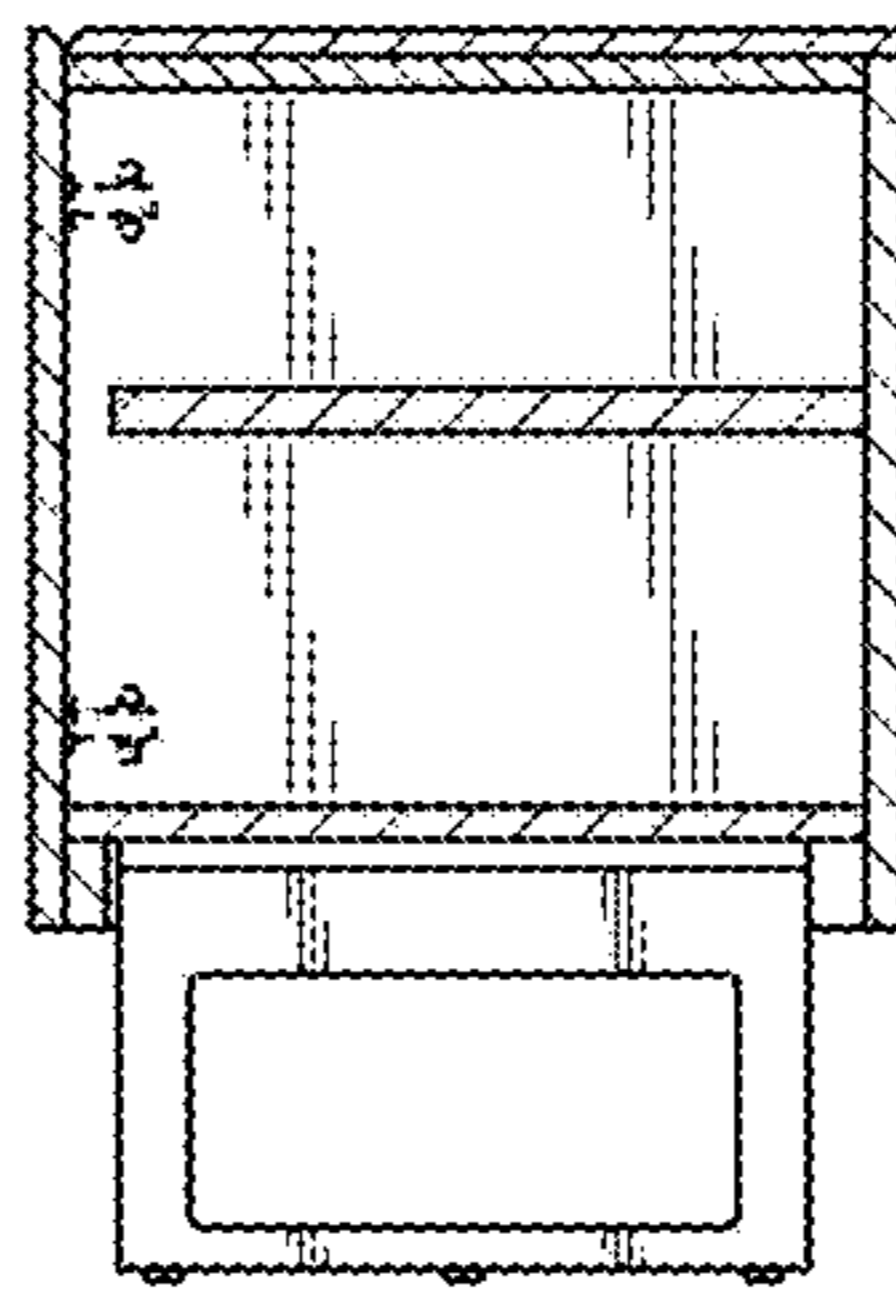


FIG. 10

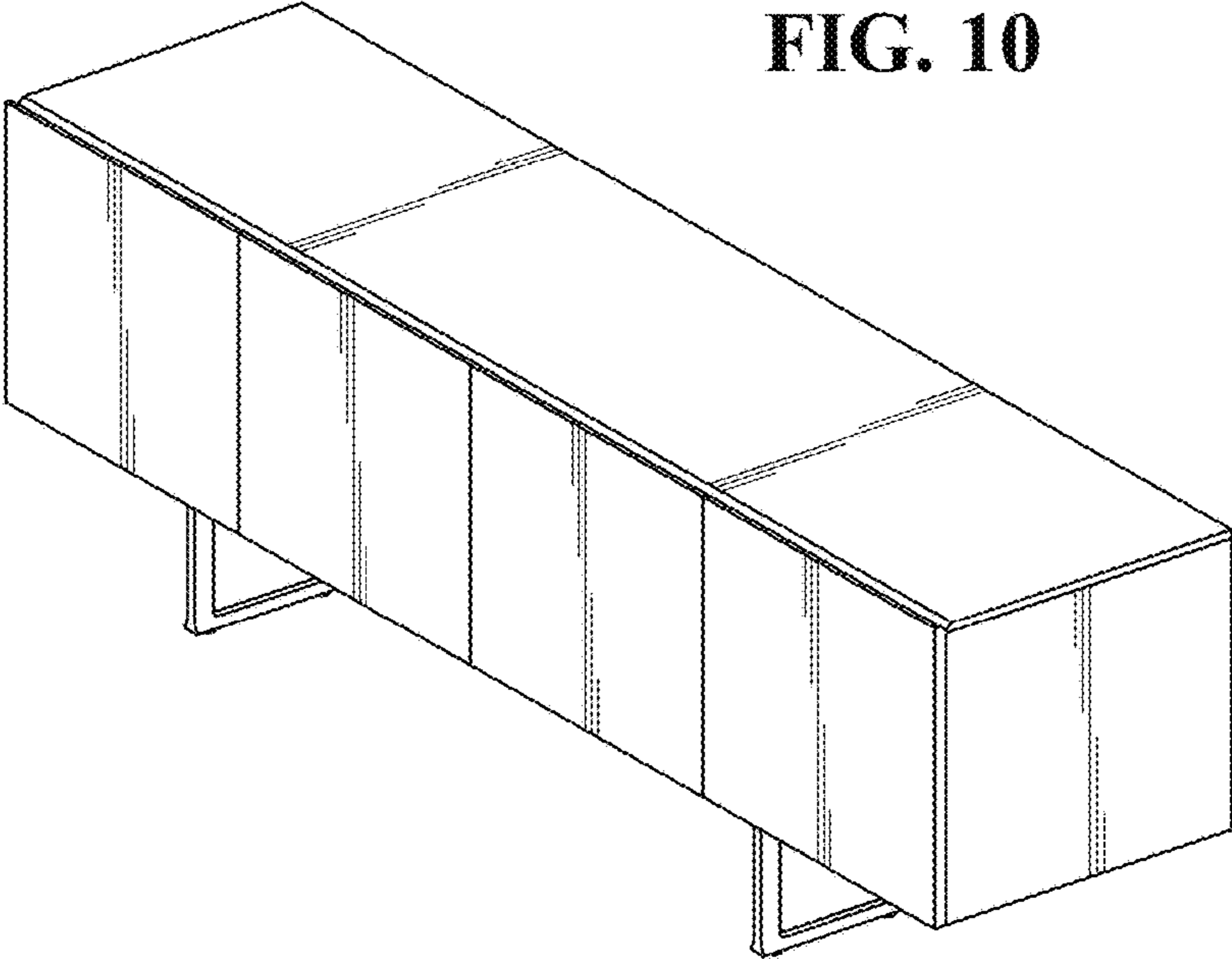


FIG. 11

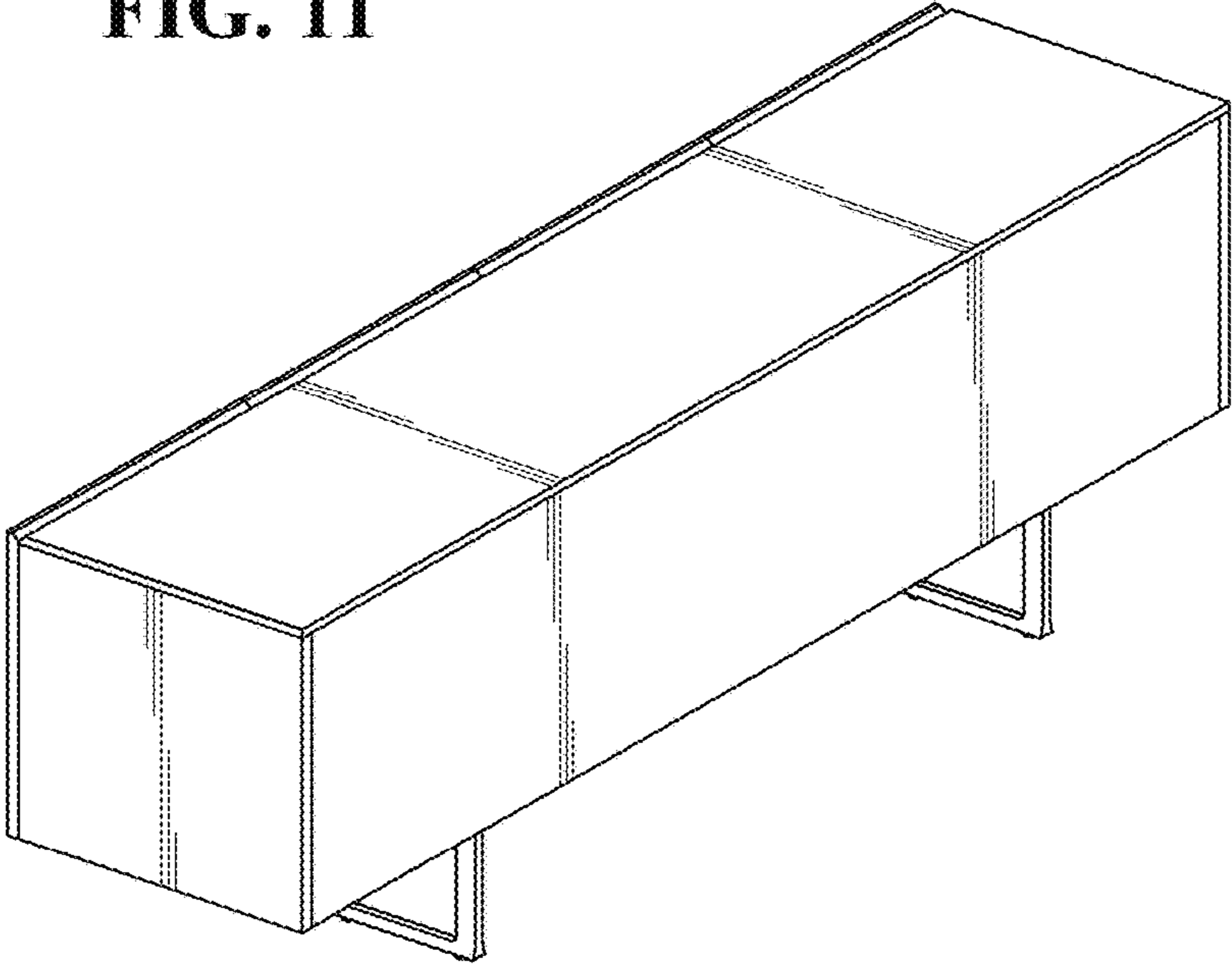


FIG. 12

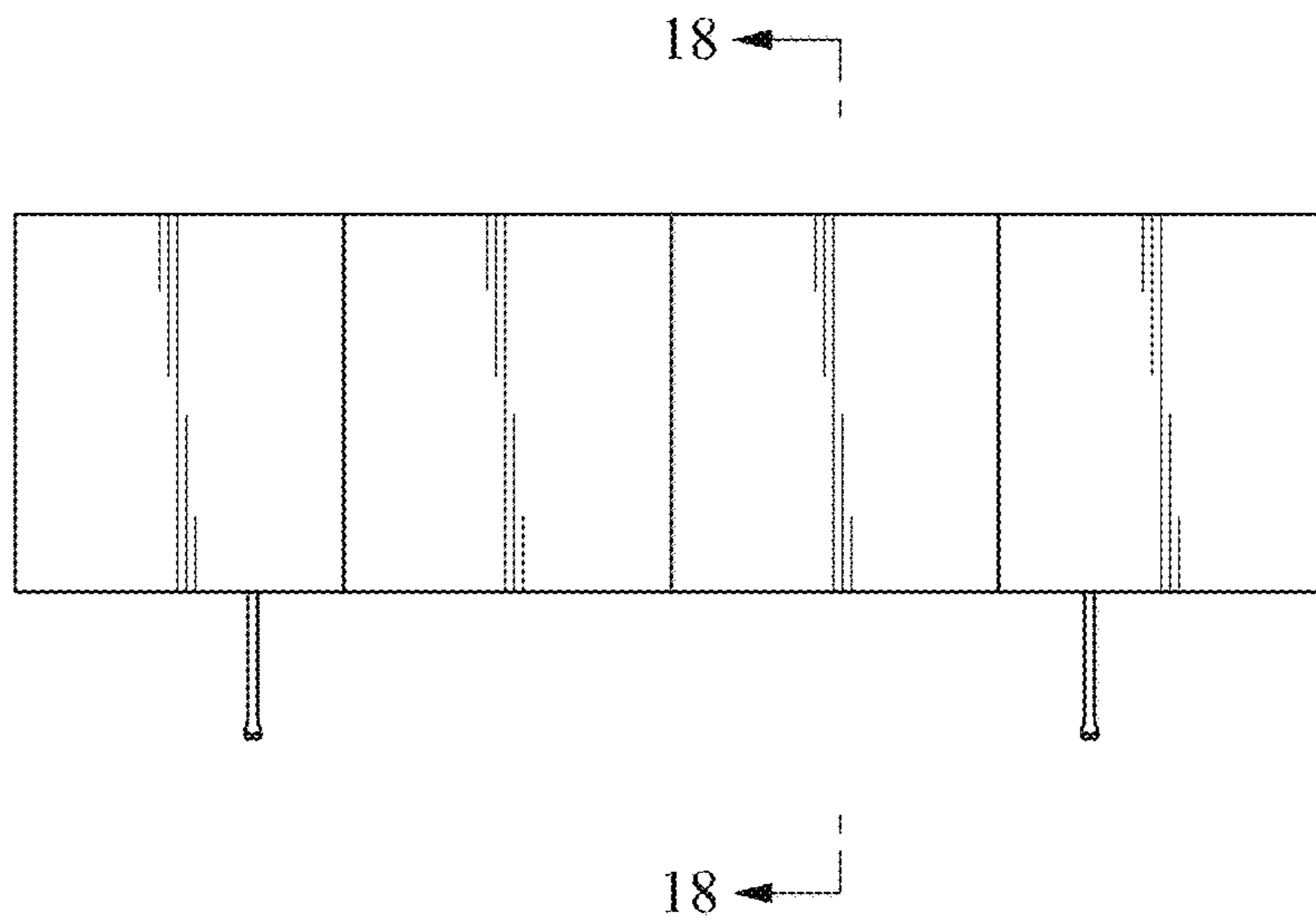


FIG. 13

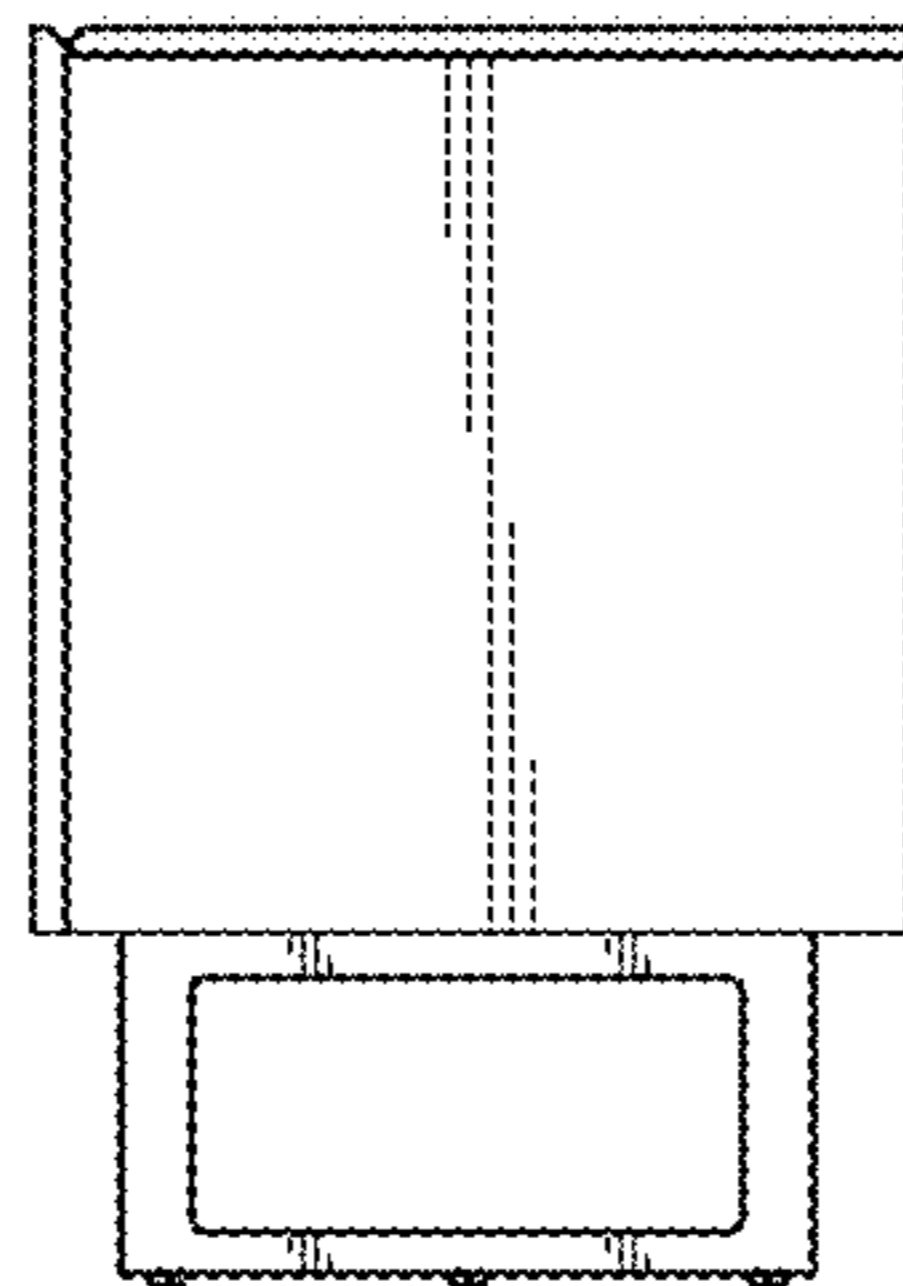


FIG. 14

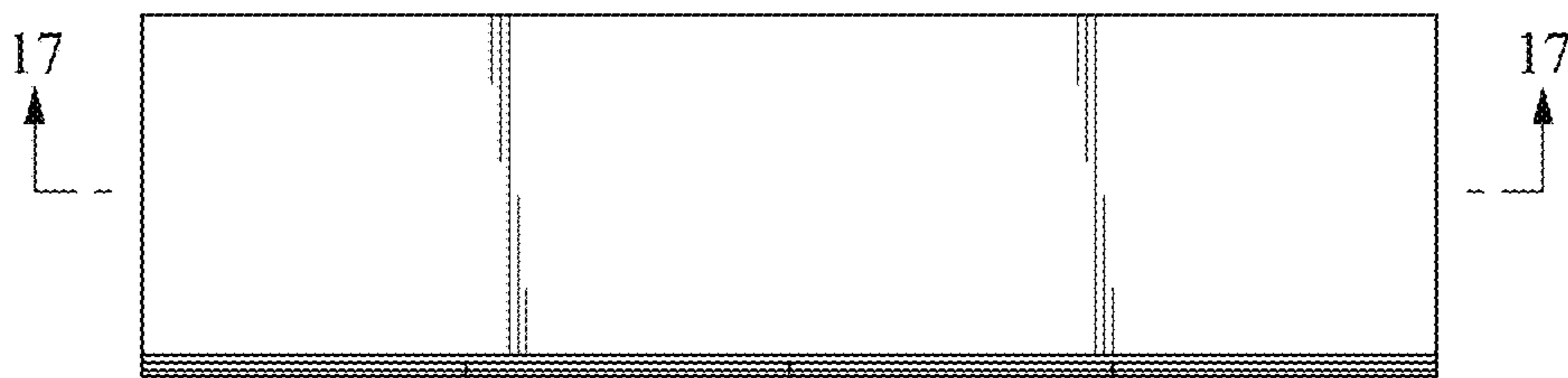


FIG. 15

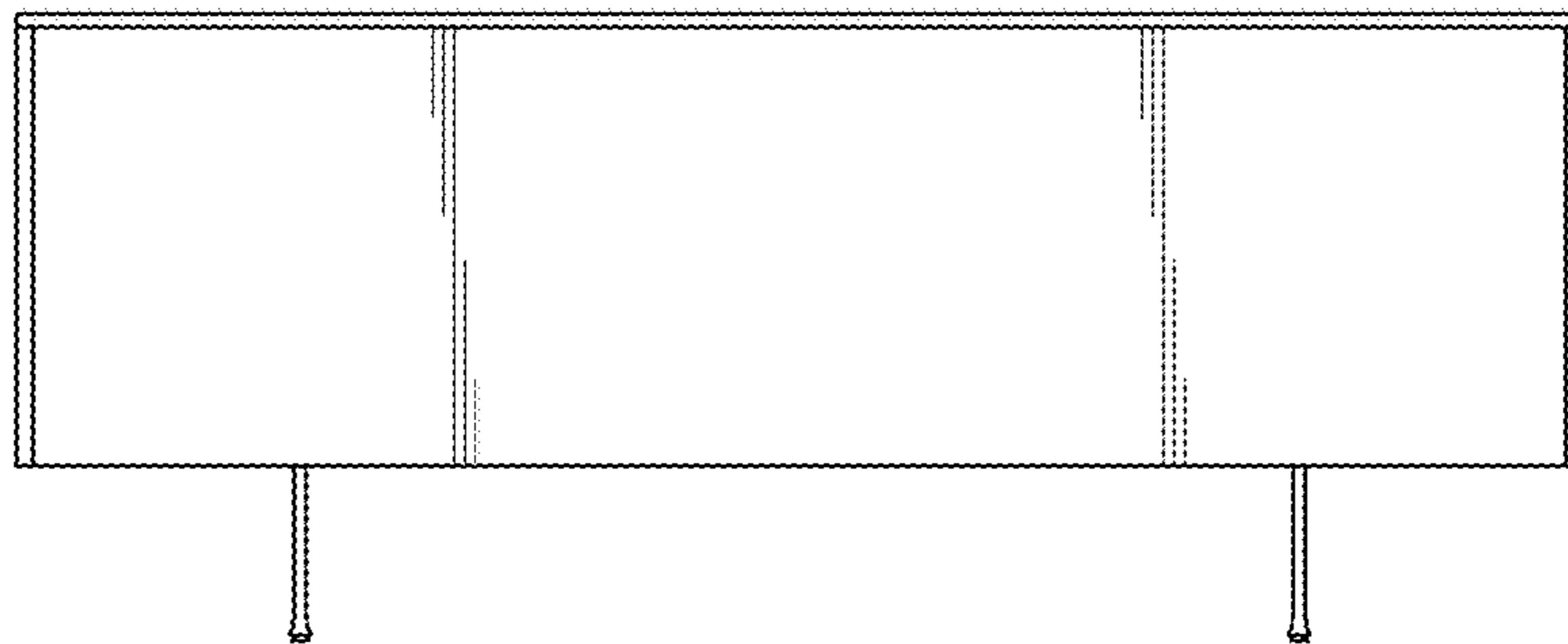


FIG. 16

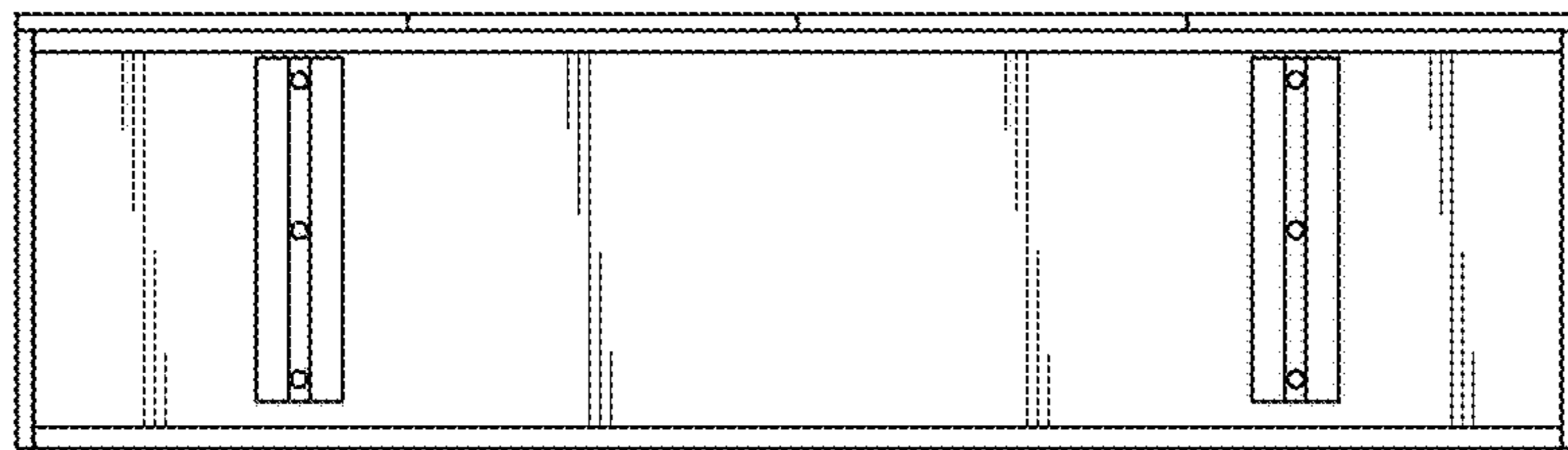


FIG. 17

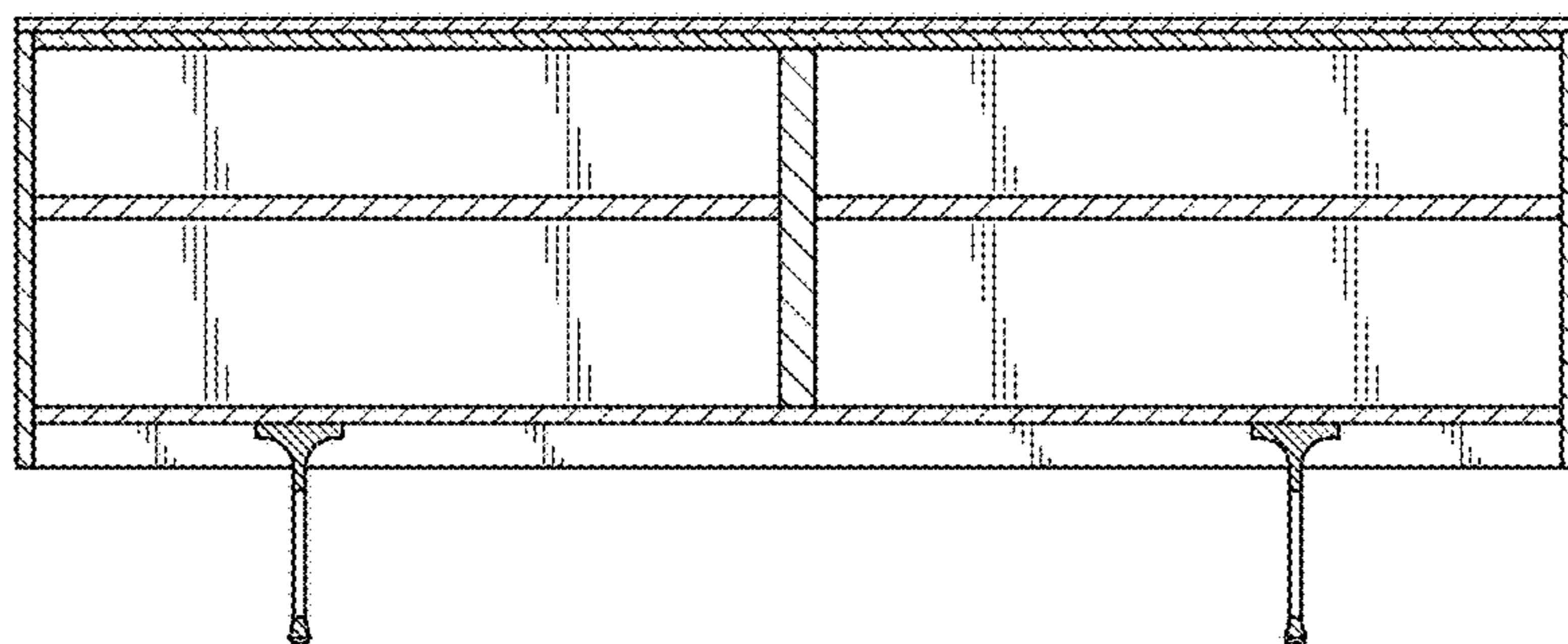


FIG. 18

