



US00D851425S

(12) **United States Design Patent**  
**Clute**

(10) **Patent No.:** **US D851,425 S**  
(45) **Date of Patent:** **\*\* Jun. 18, 2019**

(54) **CHILD ROLLING PREVENTION DEVICE**  
(71) Applicant: **Keezio Group, LLC**, Alamo, CA (US)  
(72) Inventor: **Davis Cedric Clute**, Alamo, CA (US)  
(73) Assignee: **Keezio Group, LLC** CA (US)  
(\*\*) Term: **15 Years**

D382,755 S \* 8/1997 Knopfler ..... 5/419  
6,754,921 B2 \* 6/2004 Gill-Barajas ..... A47C 21/08  
5/425  
6,877,176 B2 \* 4/2005 Houghteling ..... A47D 13/08  
5/633  
D836,848 S \* 12/2018 Broten ..... D30/118  
2010/0319131 A1 \* 12/2010 North ..... A47C 20/02  
5/633  
2011/0179573 A1 \* 7/2011 North ..... A61F 5/56  
5/632

(21) Appl. No.: **29/623,261**  
(22) Filed: **Oct. 24, 2017**  
(51) **LOC (11) Cl.** ..... **06-09**  
(52) **U.S. Cl.**  
USPC ..... **D6/601**  
(58) **Field of Classification Search**  
USPC ..... D6/595-597, 582, 601, 603, 604, 606  
CPC . A47G 9/00; A47G 9/06; A47G 9/062; A47G  
9/083; A47G 9/086; A47G 9/10; A47G  
9/1027; A47G 9/1054; A47G 9/1063;  
A47G 9/1072; A47G 2009/1018; A47C  
17/64; A47C 21/026  
See application file for complete search history.

\* cited by examiner

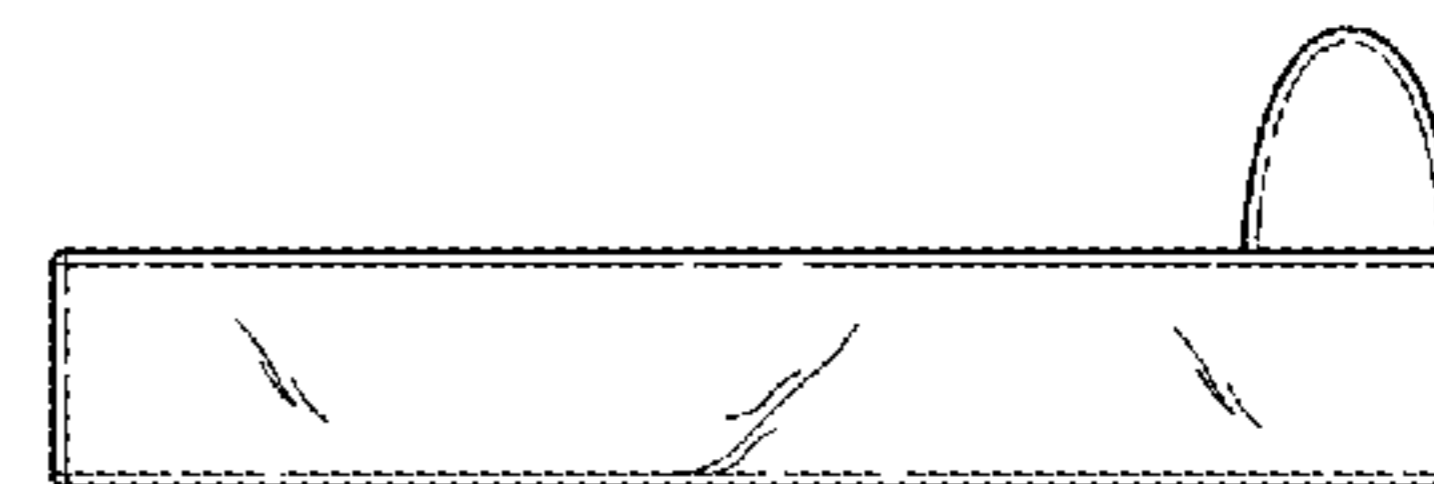
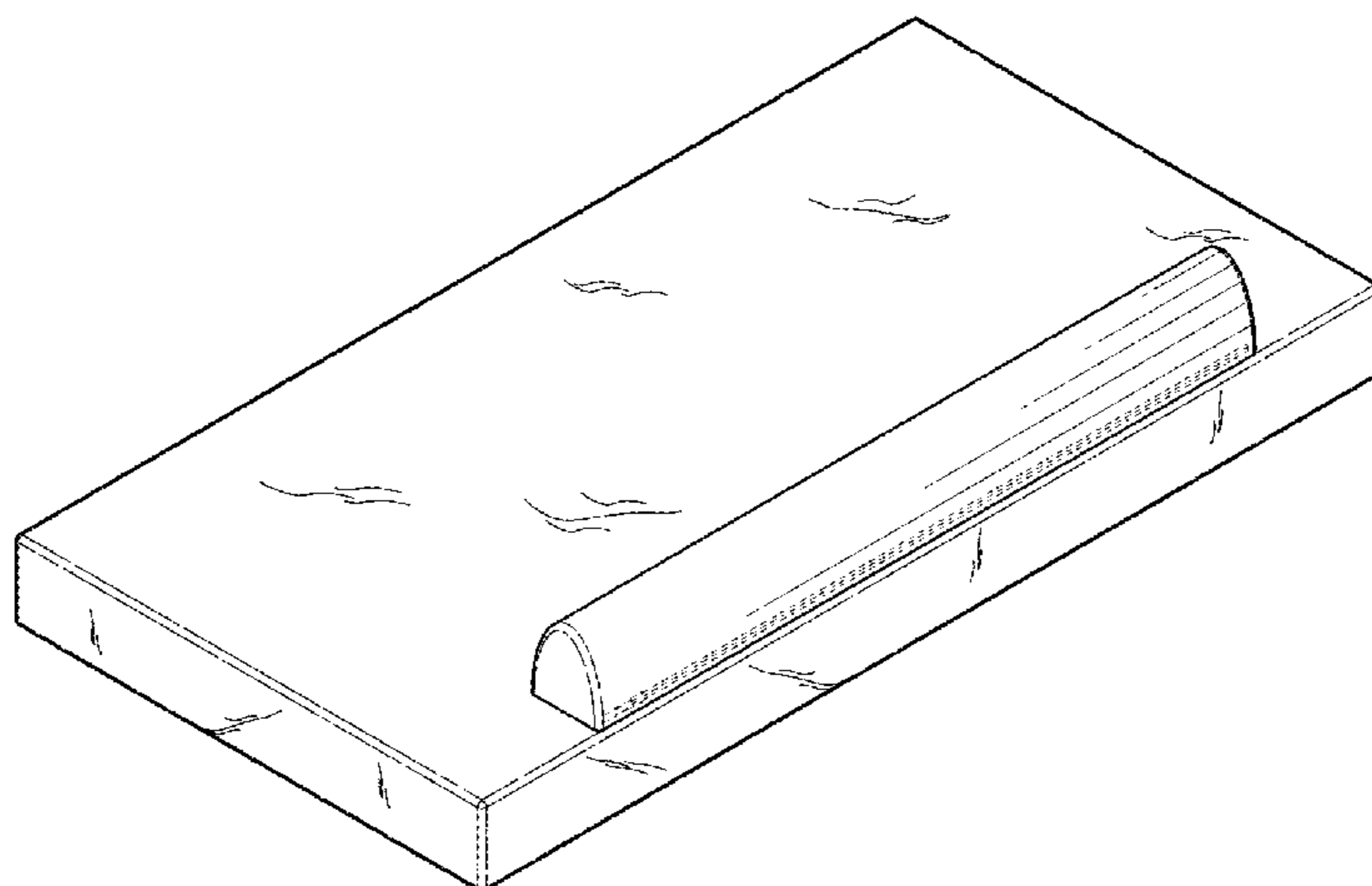
*Primary Examiner* — R. Johnson  
(74) *Attorney, Agent, or Firm* — Daniel C. Pierron;  
Widerman Malek PL

(56) **References Cited**  
U.S. PATENT DOCUMENTS  
4,607,402 A \* 8/1986 Pollard ..... A47C 21/08  
5/425  
D306,473 S \* 3/1990 Scheurer ..... D21/809  
D343,756 S \* 2/1994 Sher ..... 5/655  
5,367,730 A \* 11/1994 Sher ..... A47D 13/08  
5/632  
5,450,640 A \* 9/1995 Patton ..... A47D 13/08  
5/421  
D369,934 S \* 5/1996 Straub ..... D24/183  
5,528,785 A \* 6/1996 Petrus ..... A47D 15/003  
297/7

(57) **CLAIM**  
The ornamental design for a child rolling prevention device,  
as shown and described.

**DESCRIPTION**  
FIG. 1 is a perspective view of a child rolling prevention device according to the present invention.  
FIG. 2 is a right-side elevation view of the child rolling prevention device illustrated in FIG. 1.  
FIG. 3 is a front elevation view of the child rolling prevention device illustrated in FIG. 1.  
FIG. 4 is a rear elevation view of the child rolling prevention device illustrated in FIG. 1.  
FIG. 5 is a bottom view of the child rolling prevention device illustrated in FIG. 1; and,  
FIG. 6 is a top view of the child rolling prevention device illustrated in FIG. 1.  
The broken lines depict elements of the child rolling prevention device that do not form a claimed feature of the present invention.

**1 Claim, 2 Drawing Sheets**



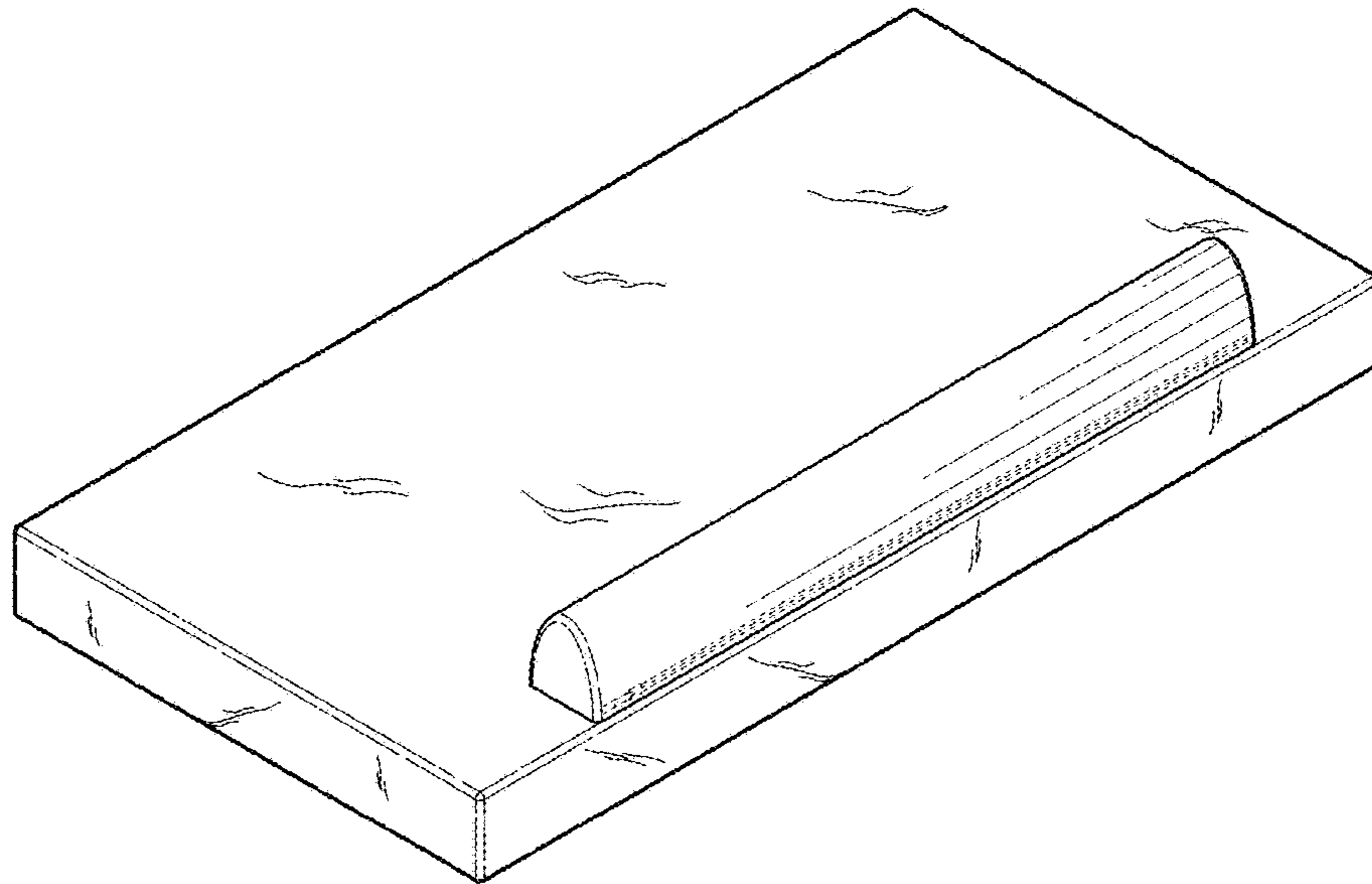


FIG. 1

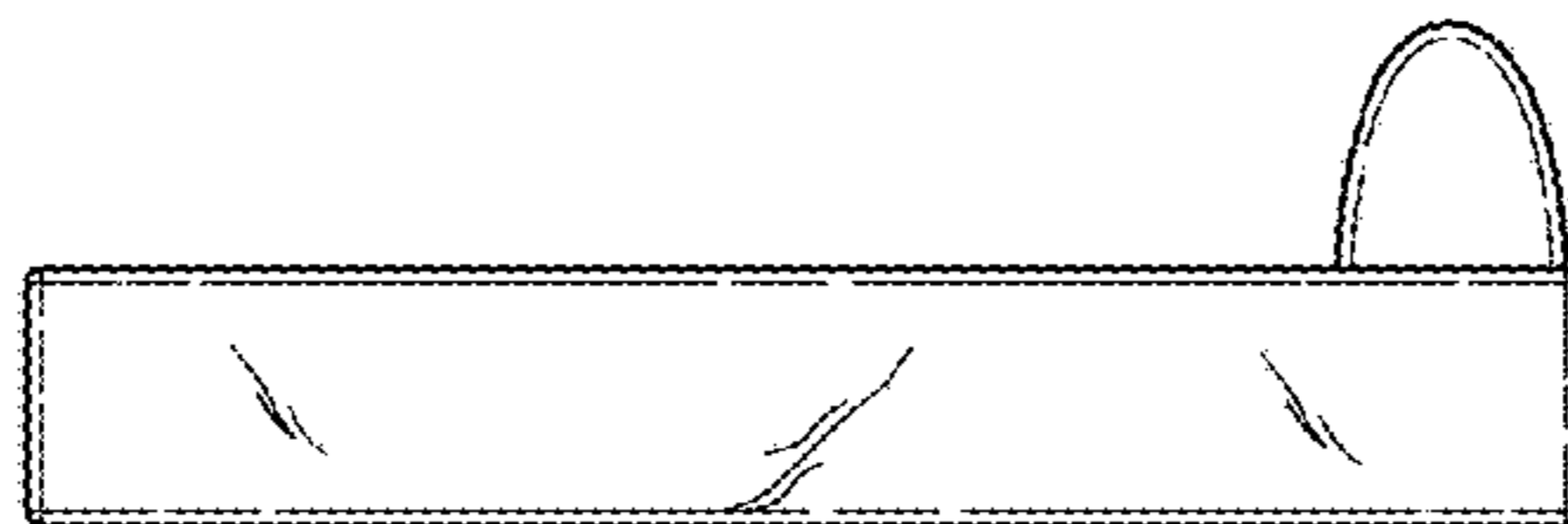


FIG. 2

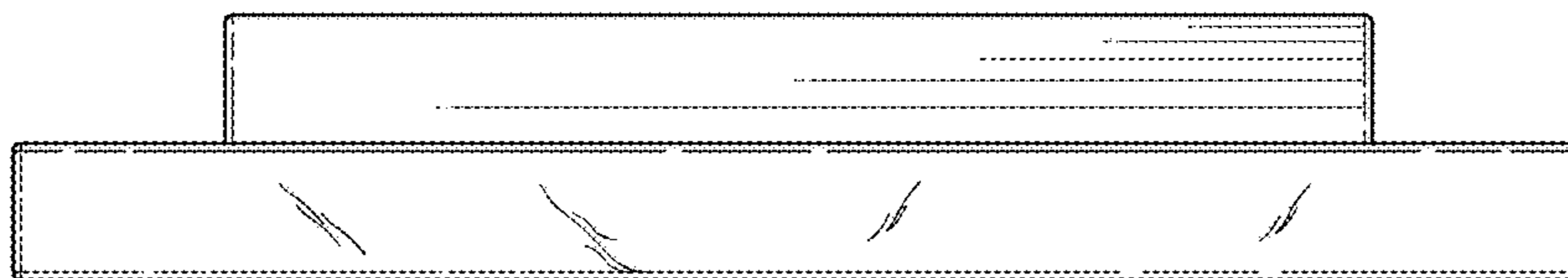


FIG. 3

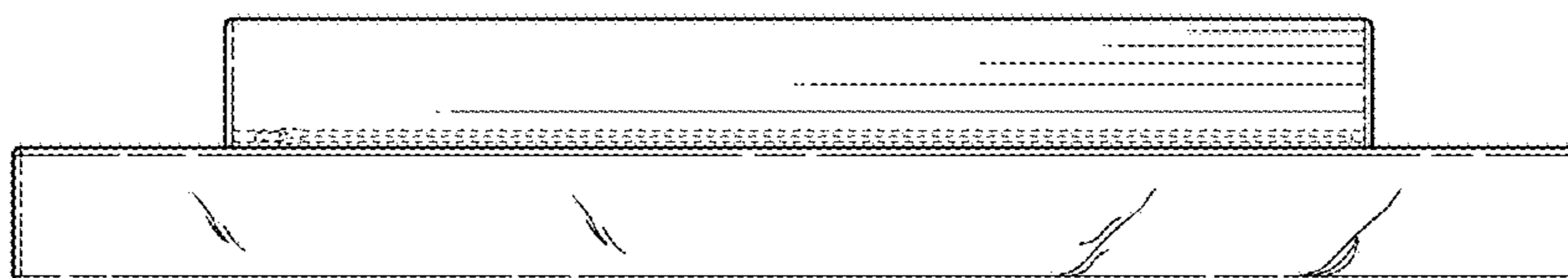


FIG. 4

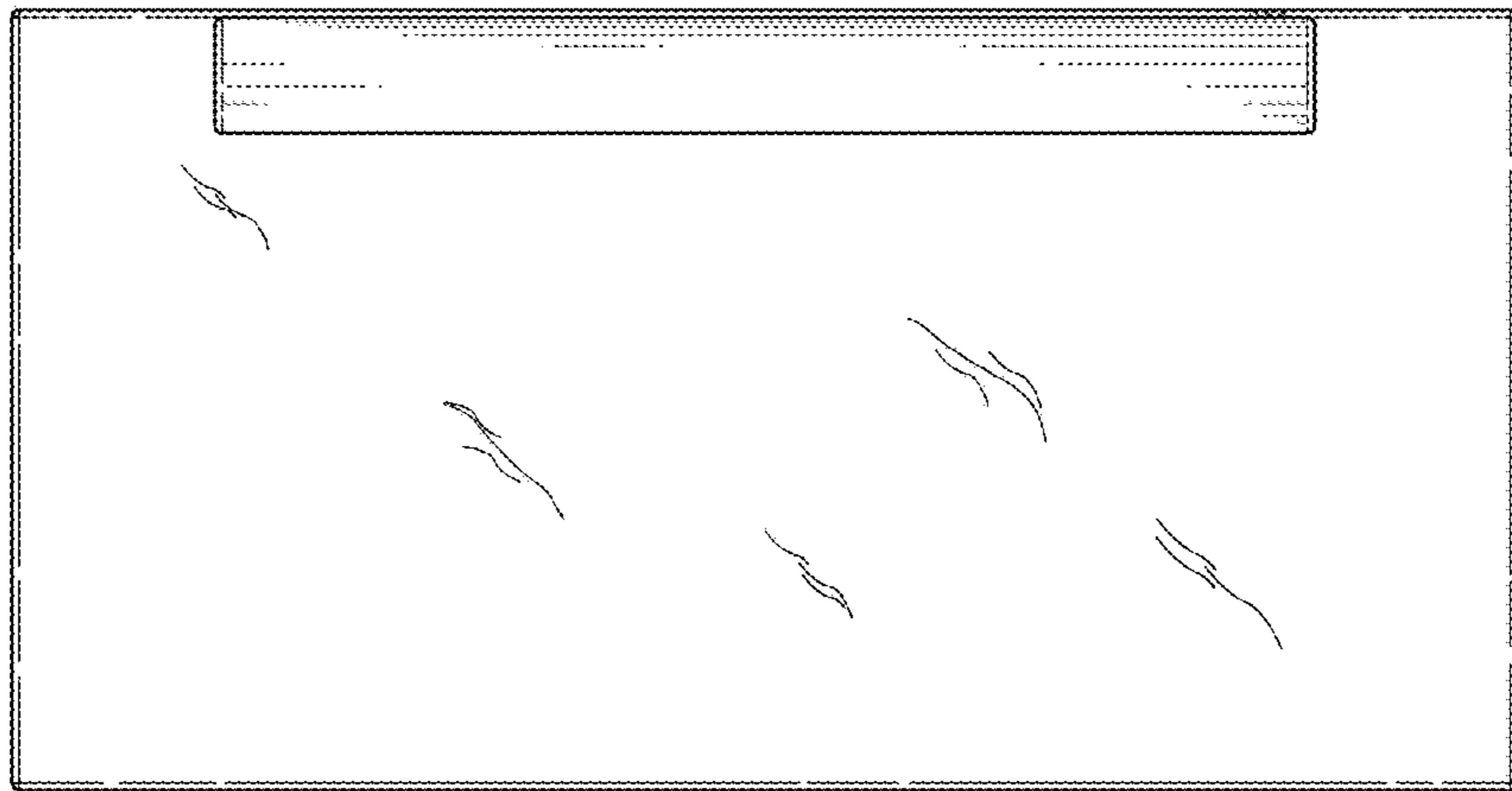


FIG. 6

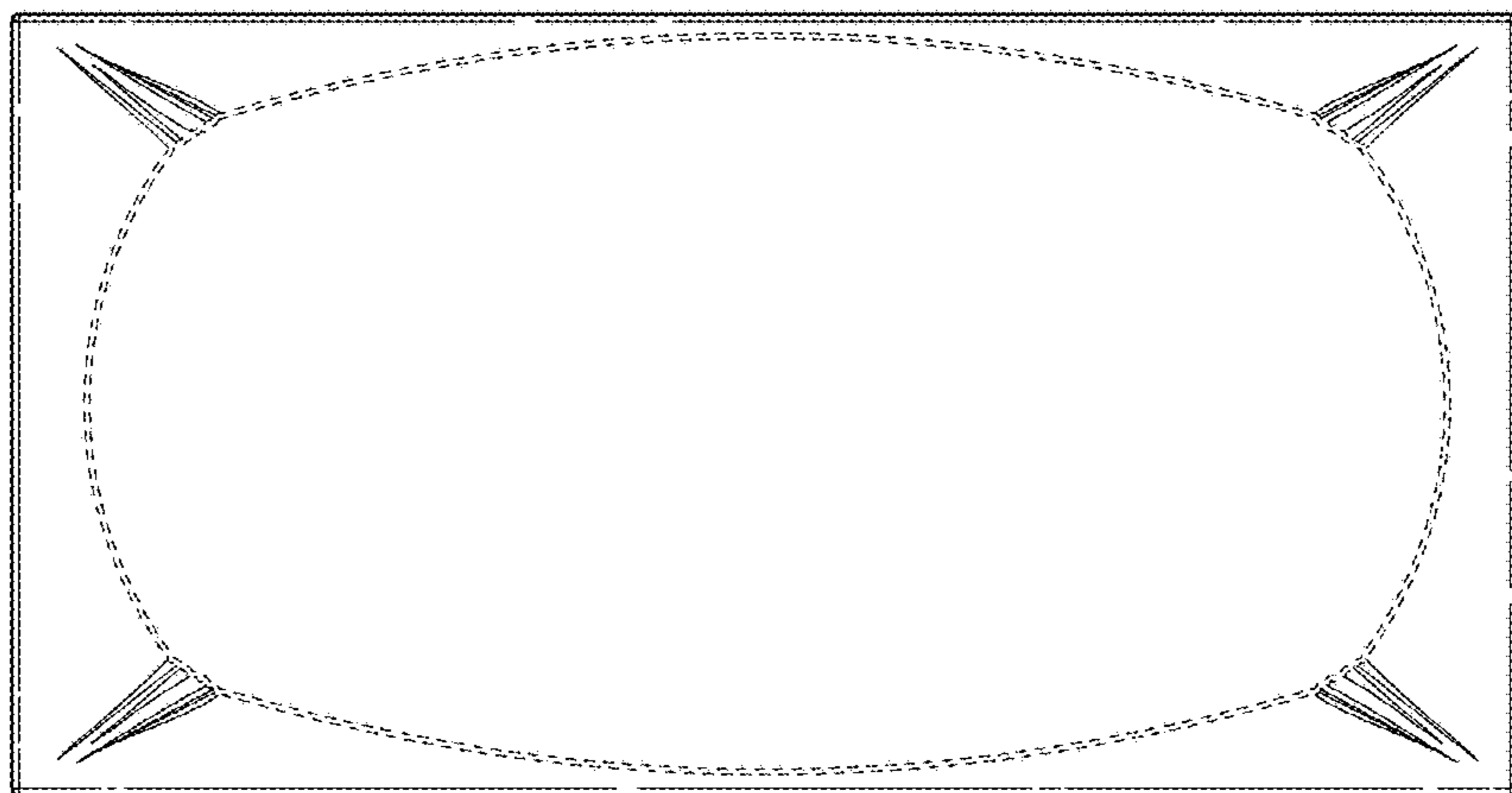


FIG. 5