



US00D851424S

(12) **United States Design Patent** (10) **Patent No.:** **US D851,424 S**
Santjer (45) **Date of Patent:** **** Jun. 18, 2019**

(54) **PILLOW**
(71) Applicant: **Suzanne M. Santjer**, Chesapeake, VA (US)
(72) Inventor: **Suzanne M. Santjer**, Chesapeake, VA (US)
(**) Term: **15 Years**
(21) Appl. No.: **29/608,619**
(22) Filed: **Jun. 23, 2017**
(51) **LOC (11) Cl.** **06-09**
(52) **U.S. Cl.**
USPC **D6/601**
(58) **Field of Classification Search**
USPC D6/595-601, 604, 606; D24/183, 190; D21/803, 809
CPC A47C 20/00; A47C 20/021; A47D 15/001; A47D 15/008; A47G 9/00; A47G 9/10
See application file for complete search history.

(56) **References Cited**
U.S. PATENT DOCUMENTS
D637,031 S * 5/2011 Anderson D6/601
8,566,986 B1 * 10/2013 Chu A47G 9/1045
5/636
D731,813 S * 6/2015 Durkin D6/601
D732,312 S * 6/2015 Tiffin D6/601
D747,613 S * 1/2016 Scarlett D6/601
D775,862 S * 1/2017 Chen D6/601
D782,849 S * 4/2017 Goddard D6/601
D787,859 S * 5/2017 Goddard D6/601
D828,054 S * 9/2018 Chen D6/601
D830,726 S * 10/2018 Lu D6/592
D838,794 S * 1/2019 Smiles D21/803
D839,026 S * 1/2019 Huang D6/601
2009/0139031 A1 * 6/2009 Davis A61G 7/072
5/639

2012/0186025 A1* 7/2012 Kardos A47C 7/425
5/655.9
2013/0047339 A1* 2/2013 Kim A47G 9/109
5/637
2013/0298333 A1* 11/2013 Chen A47G 9/1081
5/636

(Continued)

Primary Examiner — Mary Ann Calabrese
Assistant Examiner — Jennifer L Rempfer
(74) *Attorney, Agent, or Firm* — Shaddock Law Group, PC

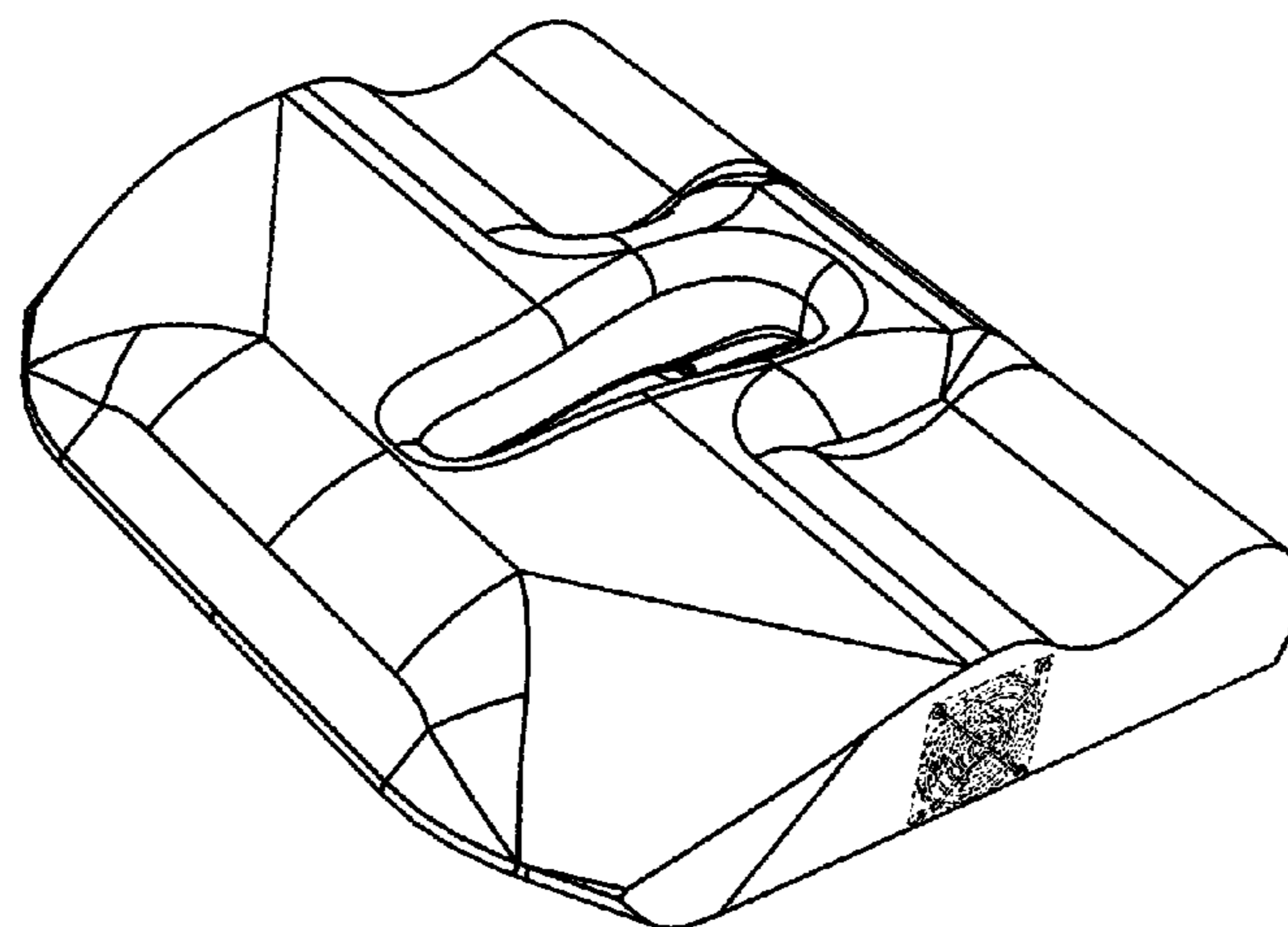
(57) **CLAIM**

The ornamental design for a pillow, as shown and described.

DESCRIPTION

FIG. 1 is an upper, left, rear perspective view of an exemplary embodiment of the pillow, showing my new design; FIG. 2 is an upper, right, rear perspective view thereof; FIG. 3 is an upper, right, front perspective view thereof; FIG. 4 is an upper, left, front perspective view thereof; FIG. 5 is a lower, left, rear perspective view thereof; FIG. 6 is a lower, right, front perspective view thereof; FIG. 7 is a top plan view thereof; FIG. 8 is a bottom plan view thereof; FIG. 9 is a left side view thereof; FIG. 10 is a right side view thereof; FIG. 11 is a rear view thereof; FIG. 12 is a front view thereof; FIG. 13 is a front, cross-sectional view taken along line 13-13 of FIG. 7; FIG. 14 is a front, cross-sectional view taken along line 14-14 of FIG. 7; FIG. 15 is a side, cross-sectional view taken along line 15-15 of FIG. 7; and, FIG. 16 is a side, cross-sectional view taken along line 16-16 of FIG. 7. The broken lines shown throughout the various figures depict additional structures that form no part of the claimed design.

1 Claim, 8 Drawing Sheets



(56)

References Cited

U.S. PATENT DOCUMENTS

2015/0089743 A1* 4/2015 Haworth A47G 9/109
5/640
2017/0156958 A1* 6/2017 Roh A47G 9/1081
2017/0173297 A1* 6/2017 Park A47G 9/10
2018/0042409 A1* 2/2018 Johnson A47G 9/1054
2018/0256387 A1* 9/2018 Anderson A47G 9/1081

* cited by examiner

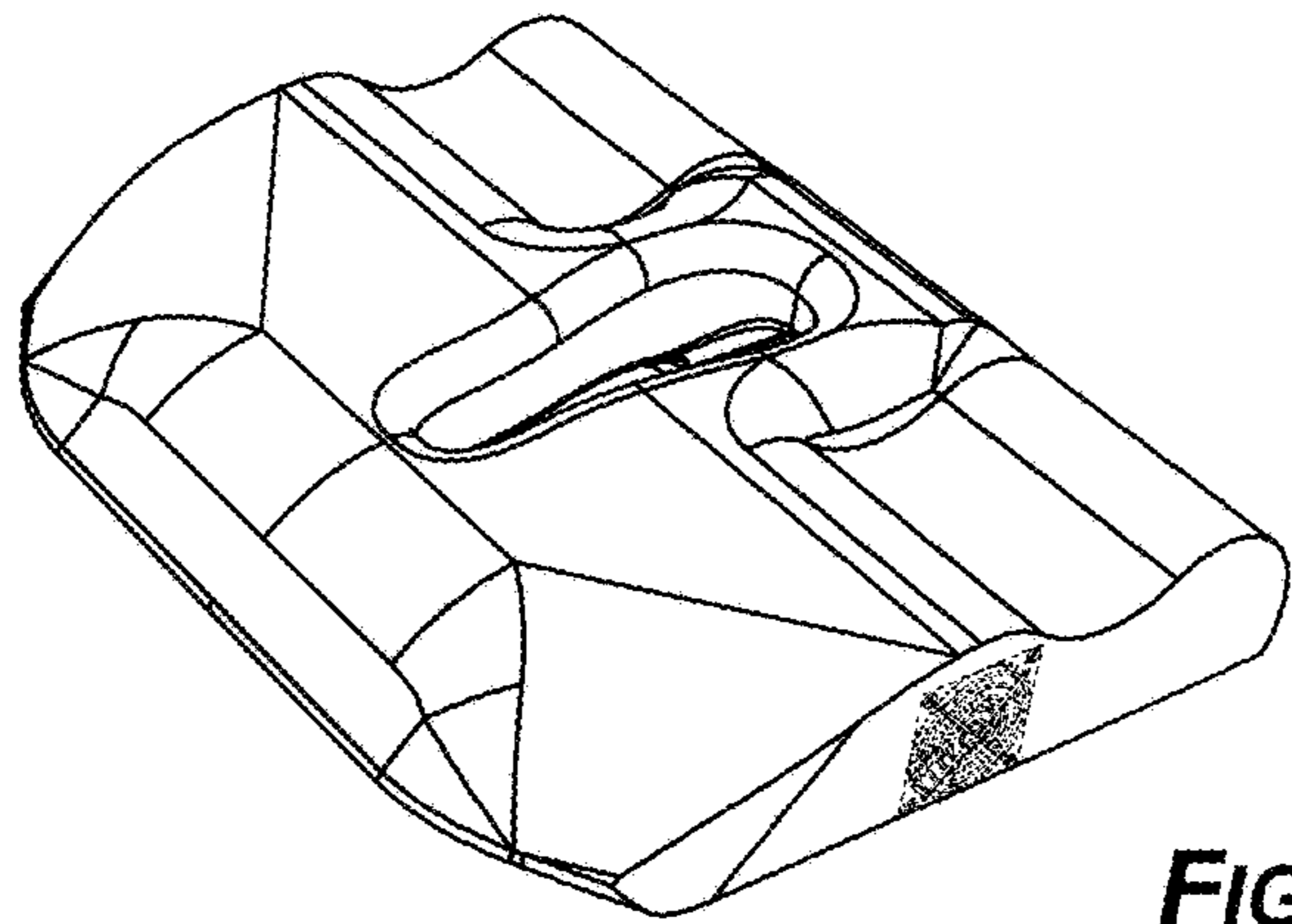


FIG. 1

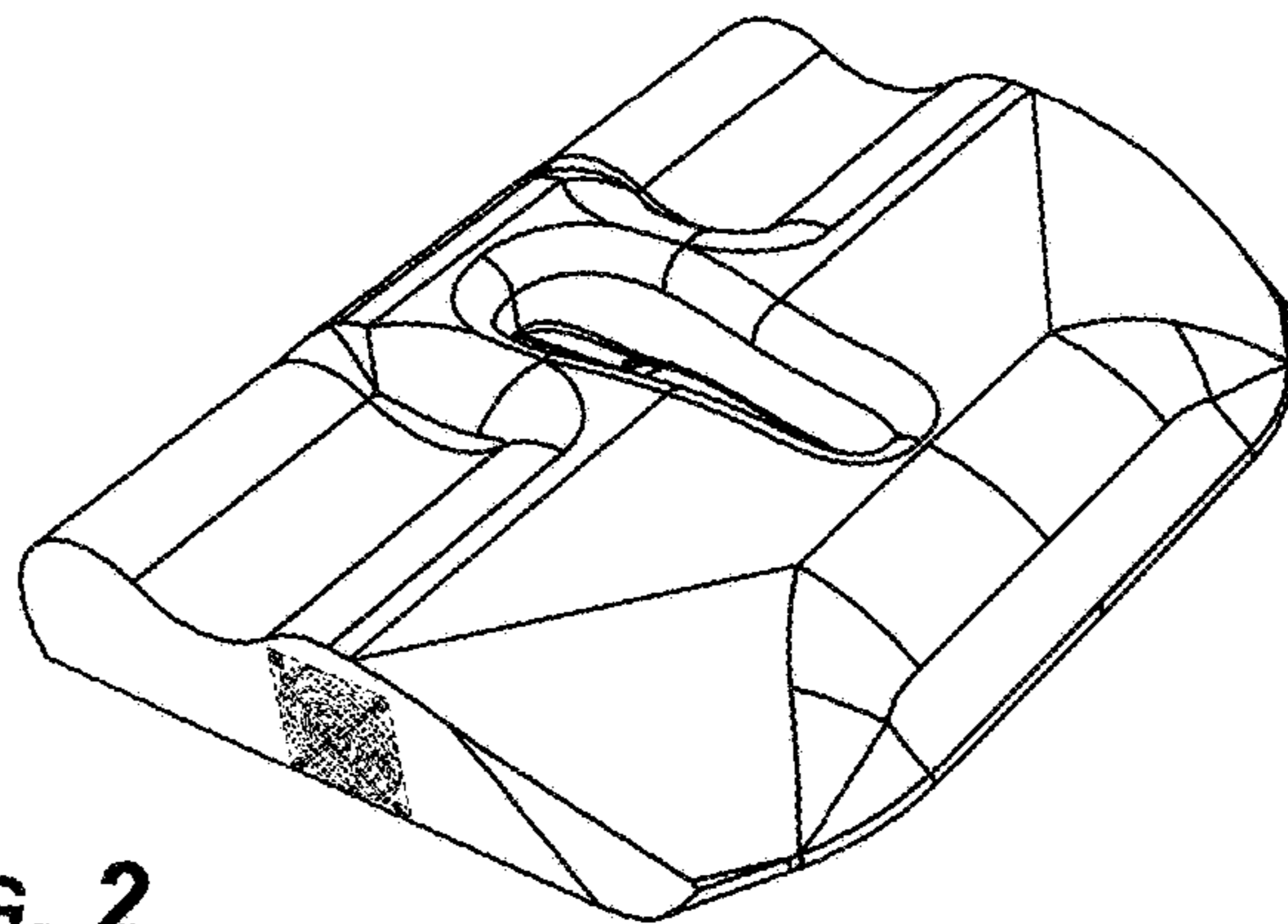


FIG. 2

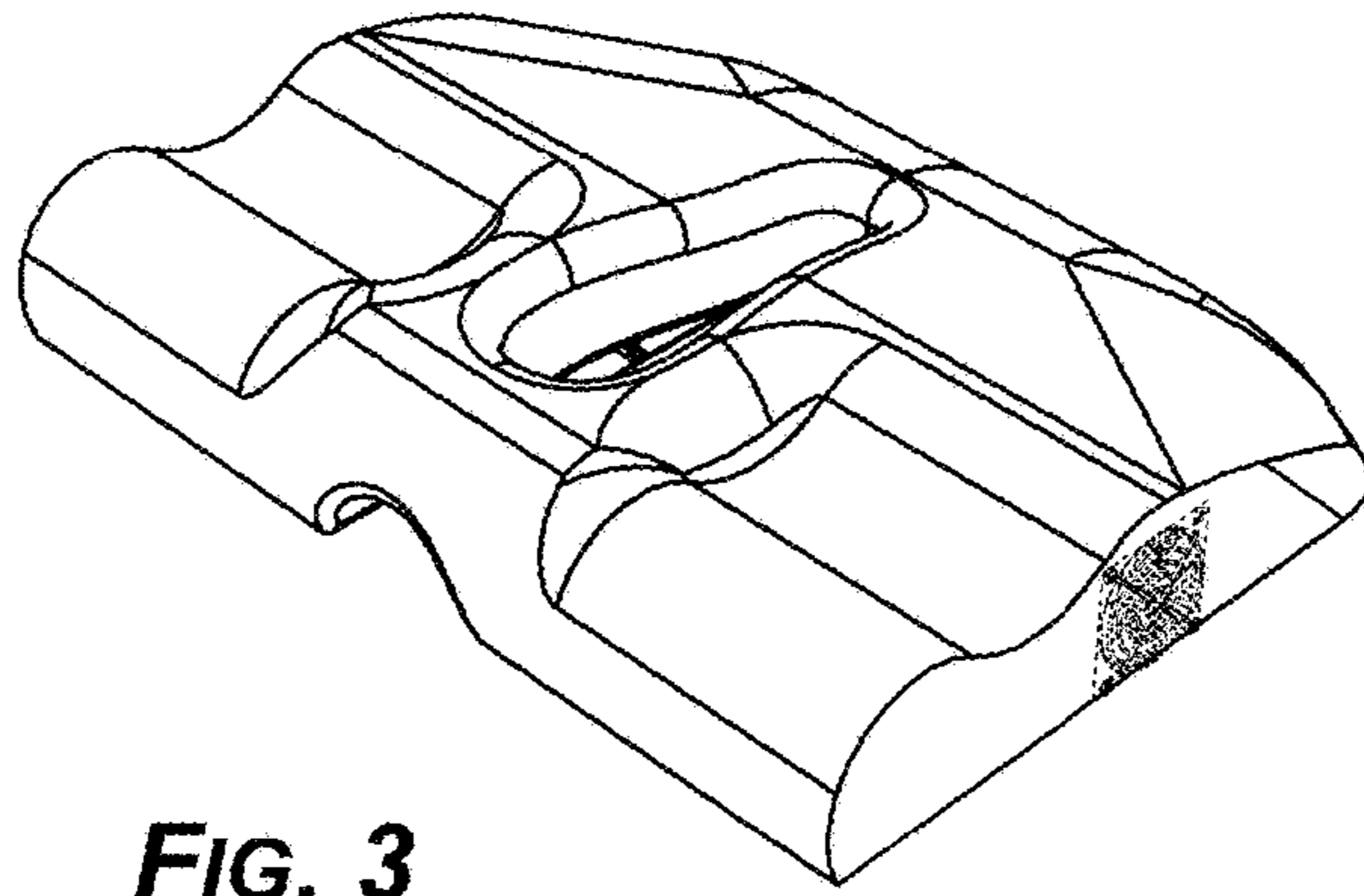


FIG. 3

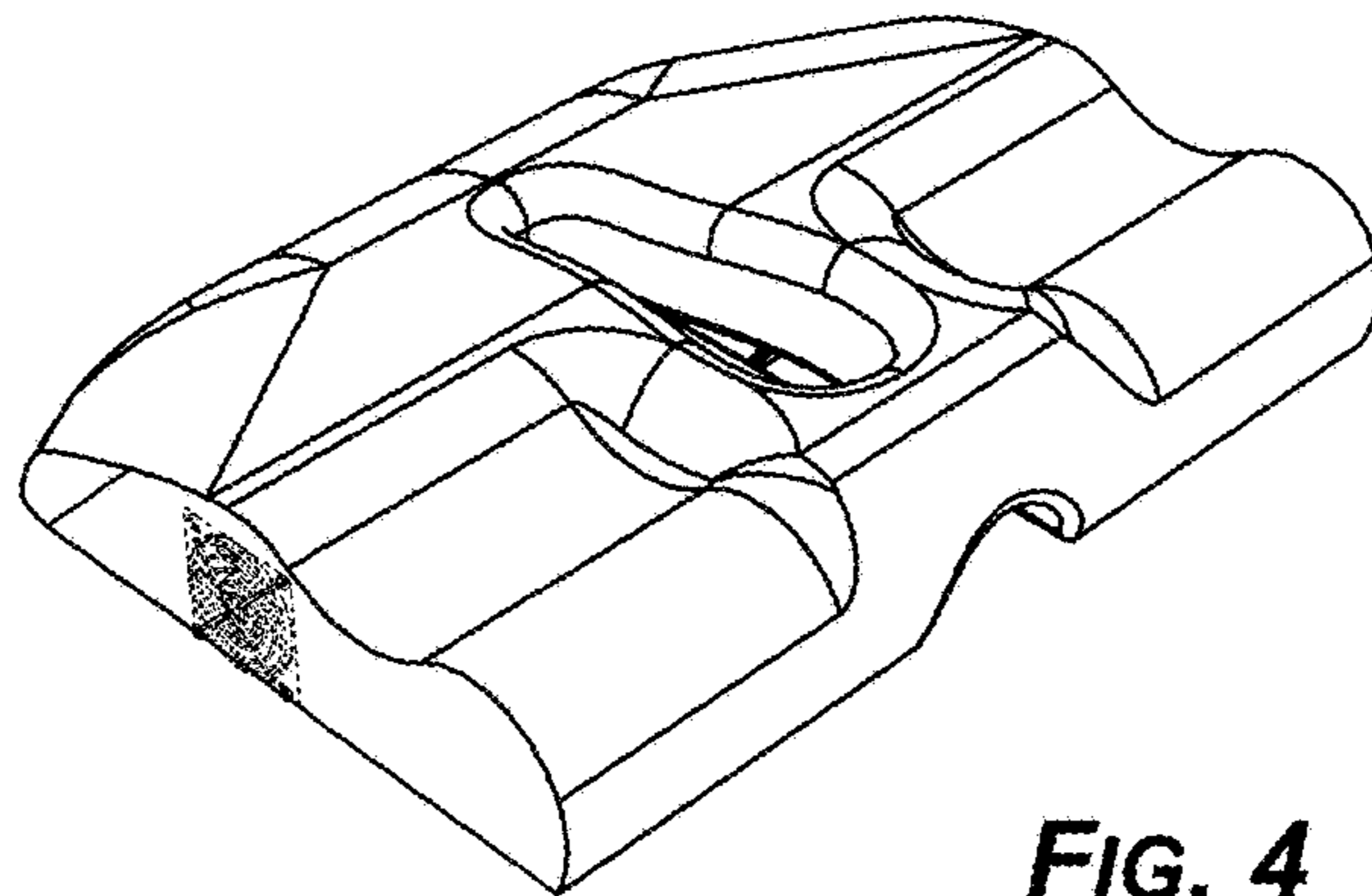


FIG. 4

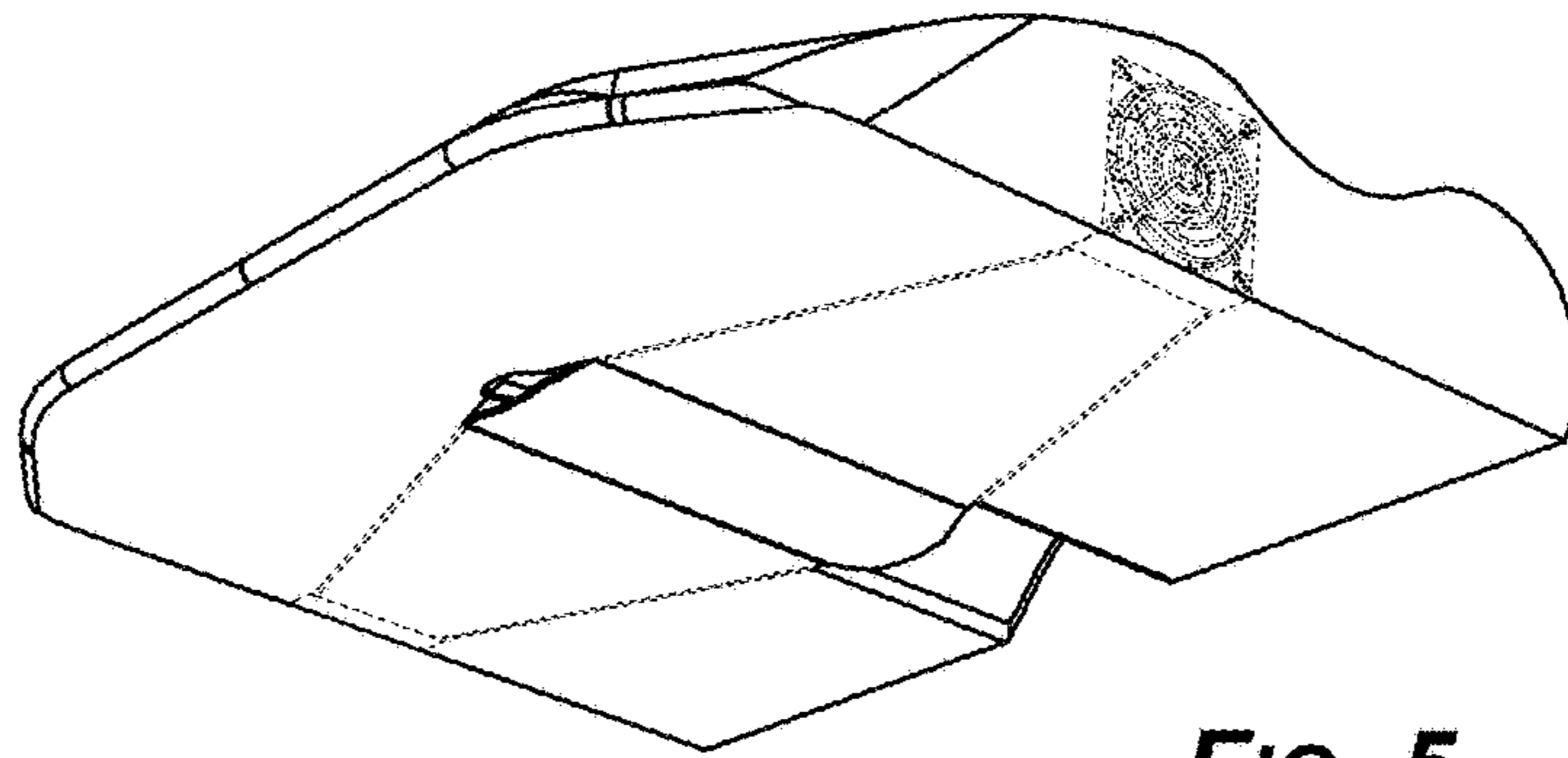


FIG. 5

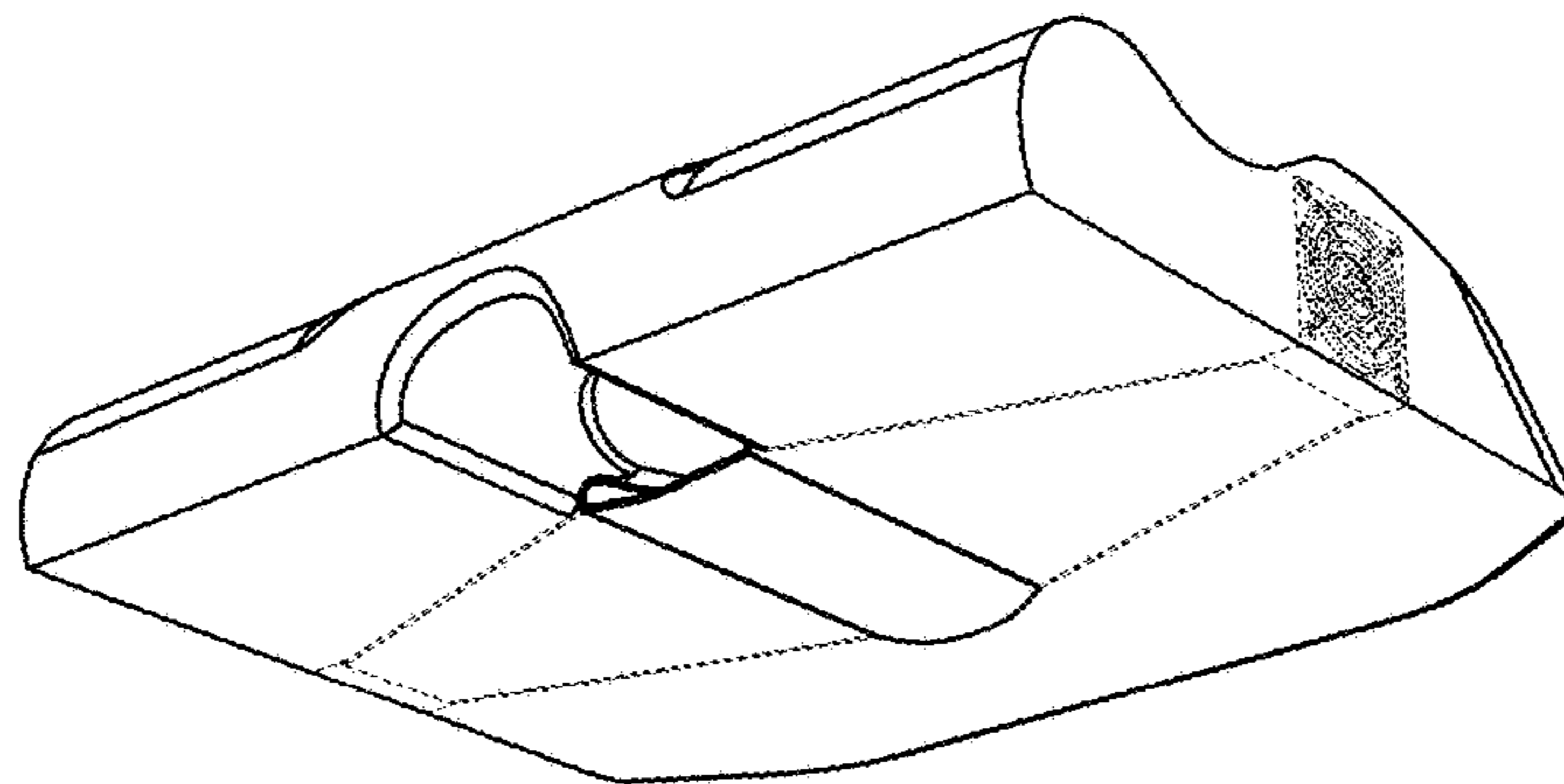


FIG. 6

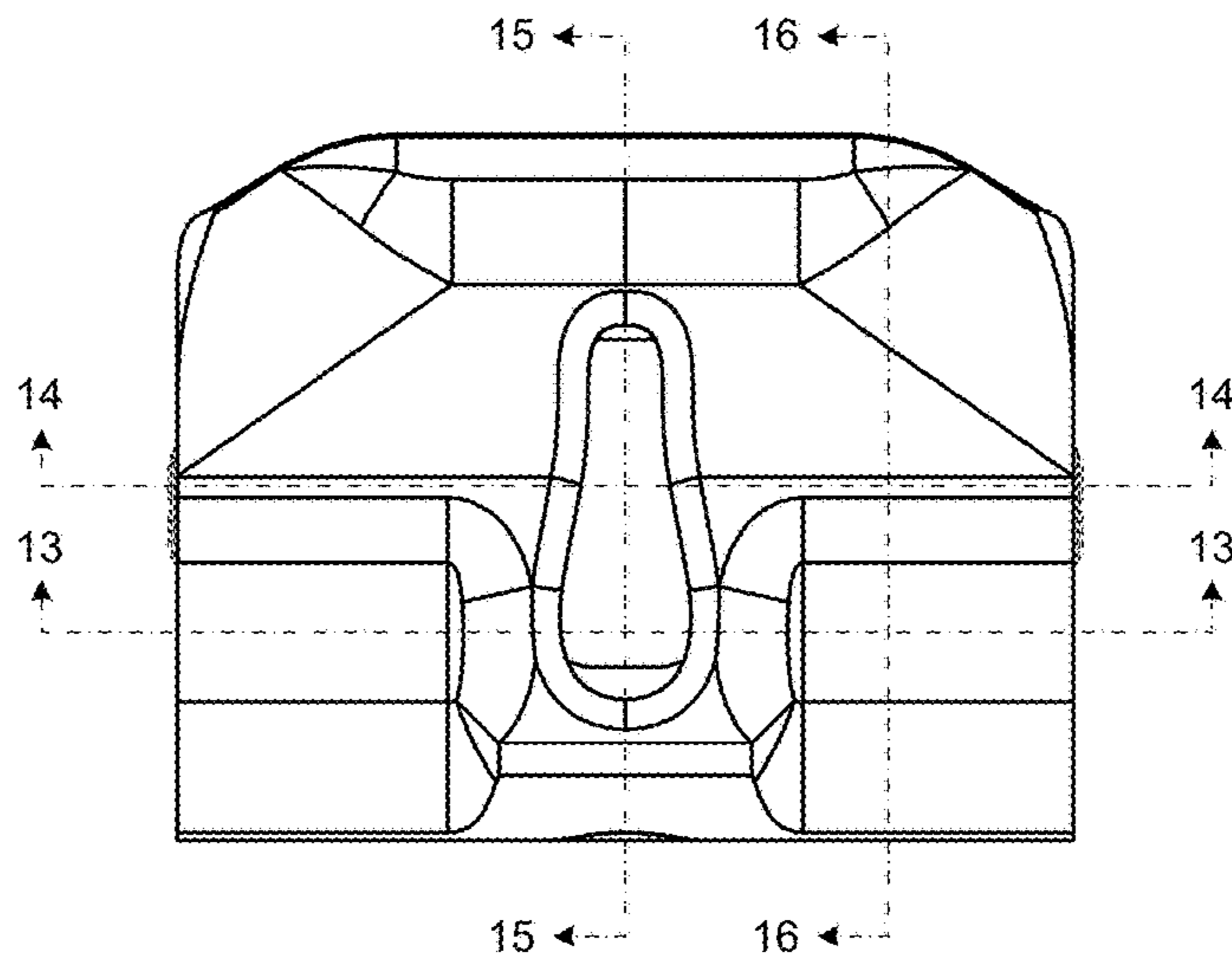


FIG. 7

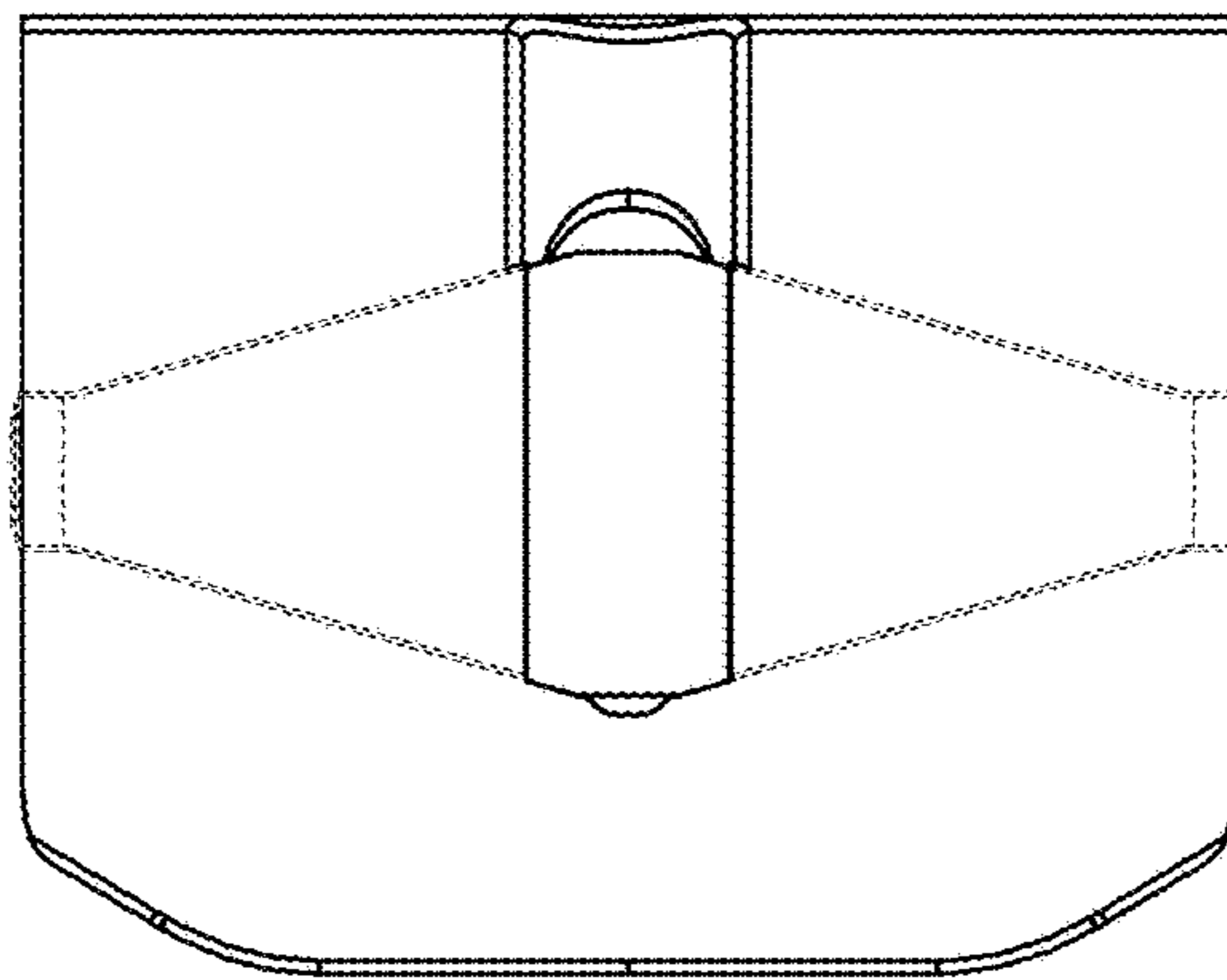


FIG. 8

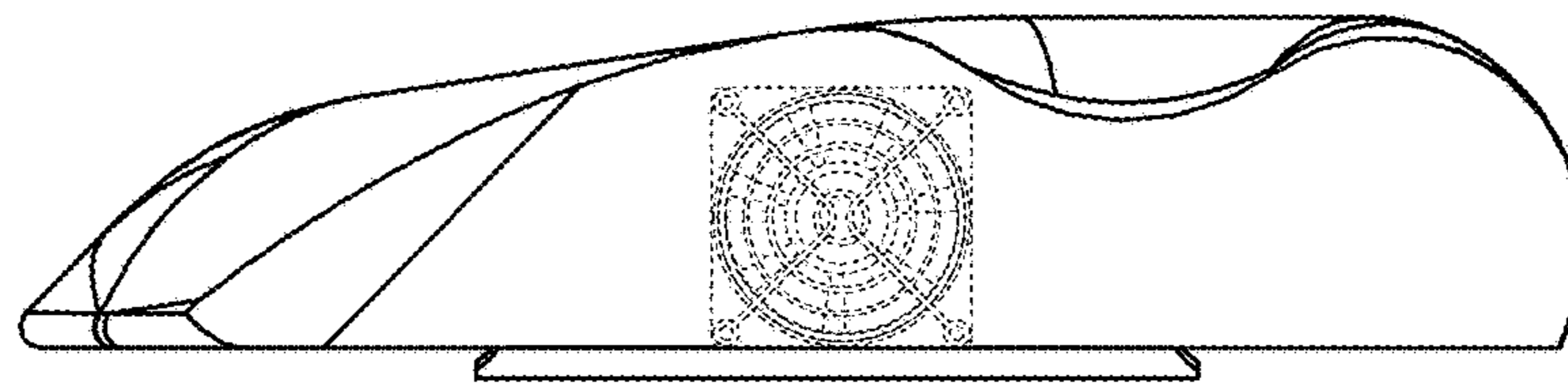


FIG. 9

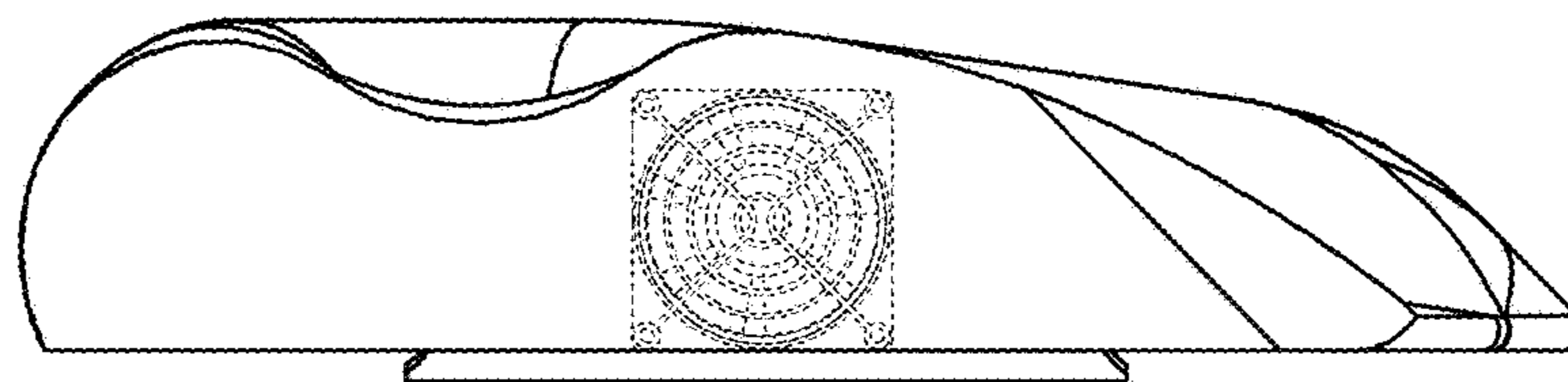


FIG. 10

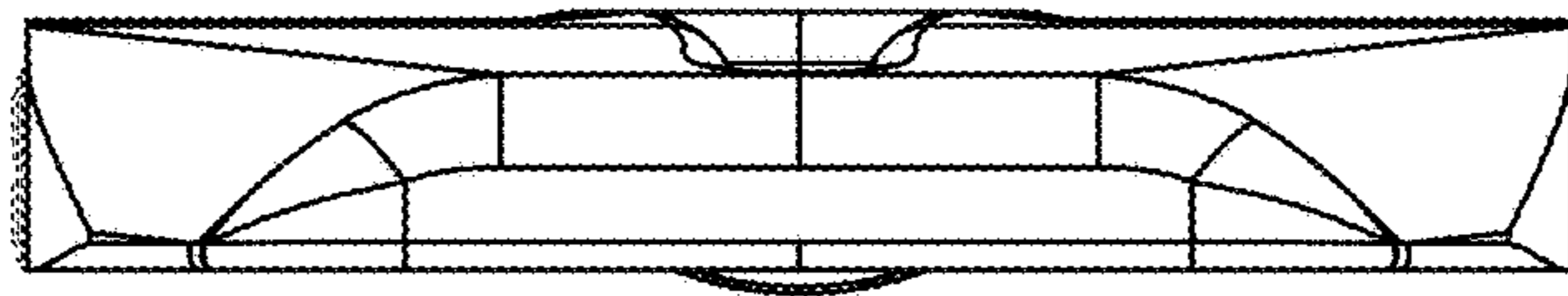


FIG. 11

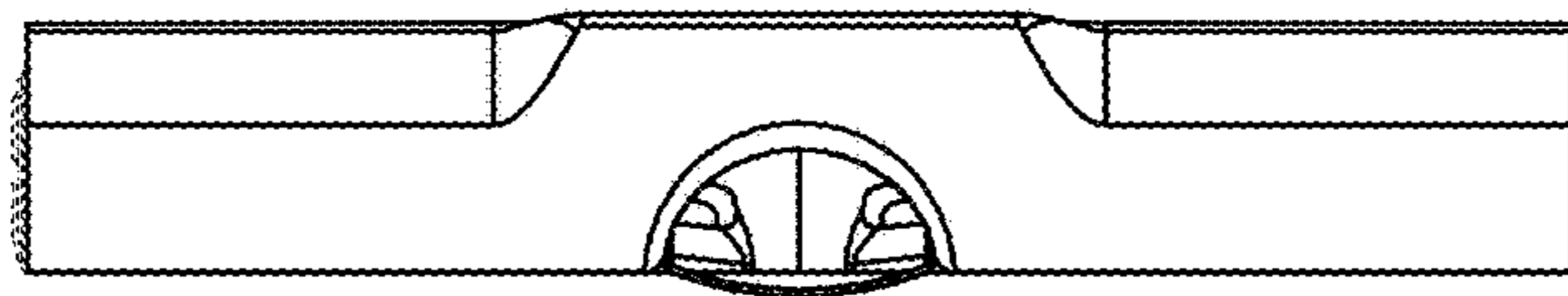


FIG. 12

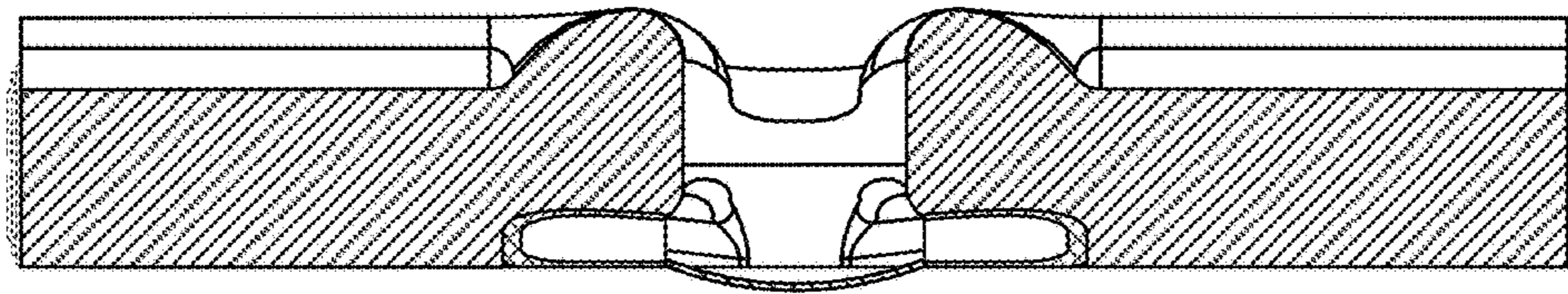


FIG. 13

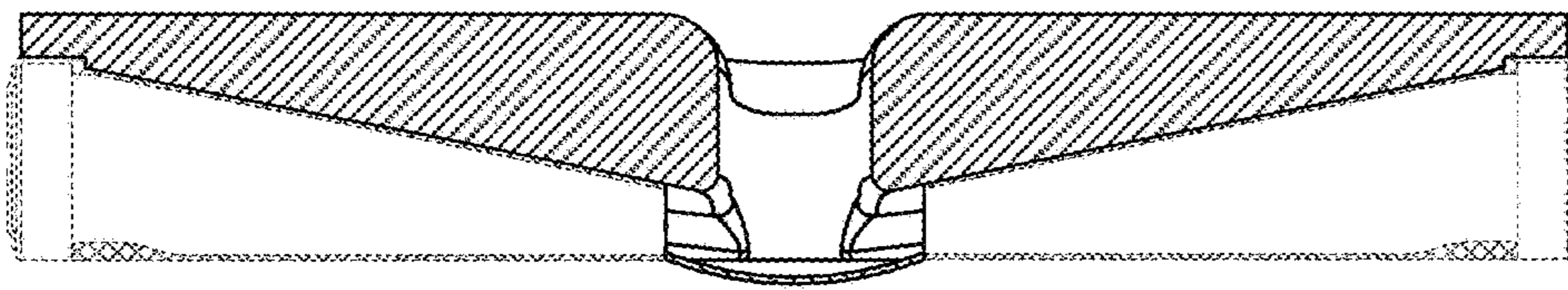


FIG. 14

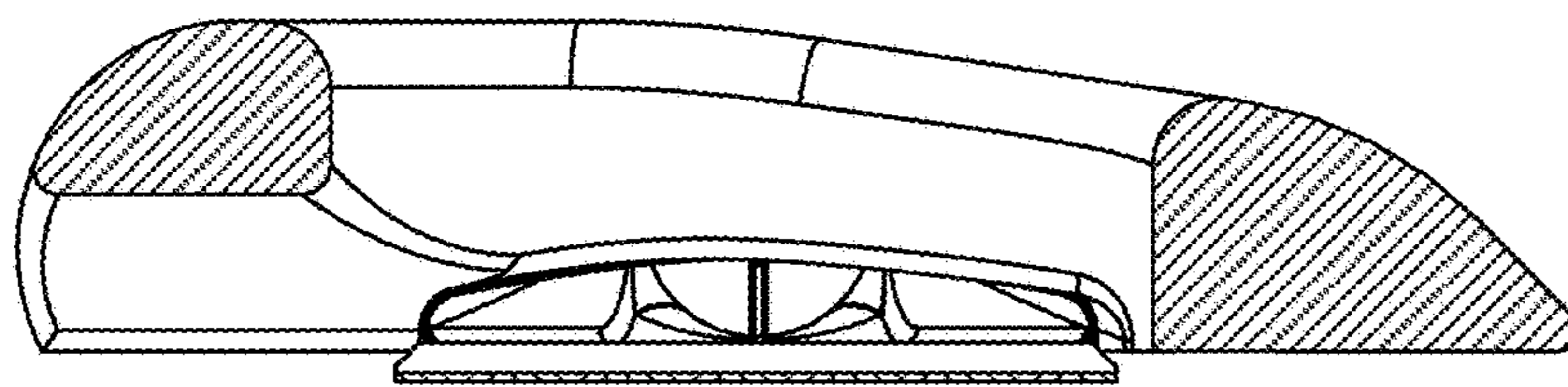


FIG. 15

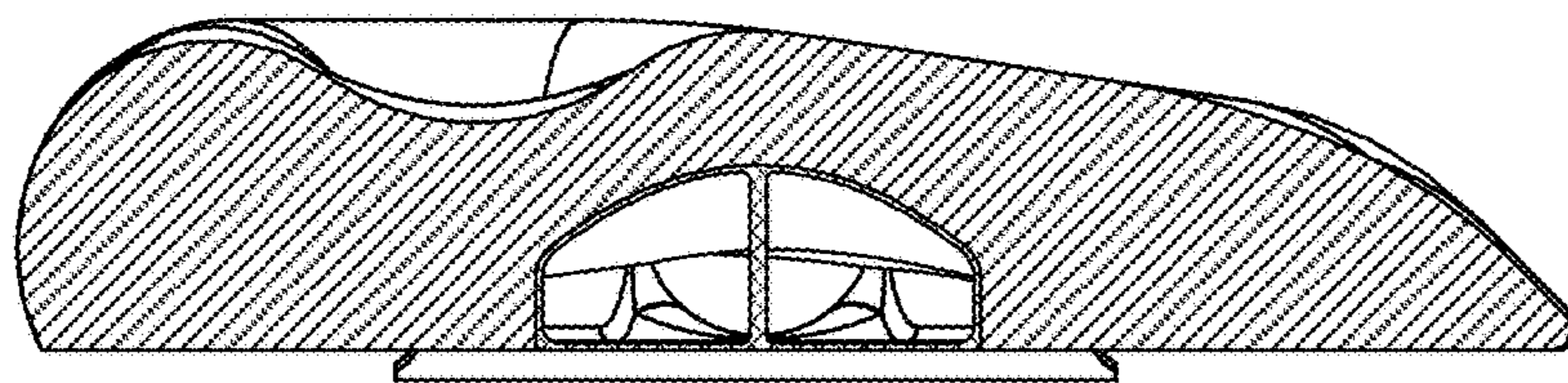


FIG. 16