



US00D851423S

(12) **United States Design Patent**  
**Li**

(10) **Patent No.:** **US D851,423 S**  
(45) **Date of Patent:** **\*\* Jun. 18, 2019**

(54) **HOLDER FOR TOOTHBRUSHES AND TOOTHPASTE**

D687,246 S \* 8/2013 Rodriguez ..... D6/528  
D701,394 S \* 3/2014 Lin ..... D6/534

(71) Applicant: **IMMANUEL INDUSTRIAL CO., LTD.**, Tainan (TW)

\* cited by examiner

(72) Inventor: **Kun-Yi Li**, Tainan (TW)

*Primary Examiner* — Wan Laymon

(73) Assignee: **Immanuel Industrial Co., Ltd.**, Tainan (TW)

*Assistant Examiner* — Mark Booker

(74) *Attorney, Agent, or Firm* — Rosenberg, Klein & Lee

(\*\*) Term: **15 Years**

(57) **CLAIM**

The ornamental design for a holder for toothbrushes and toothpaste, as shown and described.

(21) Appl. No.: **29/627,515**

(22) Filed: **Nov. 28, 2017**

**DESCRIPTION**

(51) **LOC (11) Cl.** ..... **07-05**

(52) **U.S. Cl.**  
USPC ..... **D6/534**

(58) **Field of Classification Search**  
USPC ..... D6/534, 510, 524, 525, 553, 566,  
D6/536-537, 540, 567, 528; D3/304,  
D3/306; D30/133; 141/100; D32/55  
CPC ..... A47J 47/16; A47J 47/20; A47K 10/04;  
A47L 19/02; A47L 17/02; E03C 1/186  
See application file for complete search history.

FIG. 1 is a perspective view of my new design for a holder for toothbrushes and toothpaste;  
FIG. 2 is a front view thereof;  
FIG. 3 is a rear view thereof;  
FIG. 4 is a left view thereof;  
FIG. 5 is a right view thereof;  
FIG. 6 is a top plan view thereof;  
FIG. 7 is a bottom plan view thereof; and,  
FIG. 8 is a cross-sectional view taken along line 8-8 of FIG. 6.

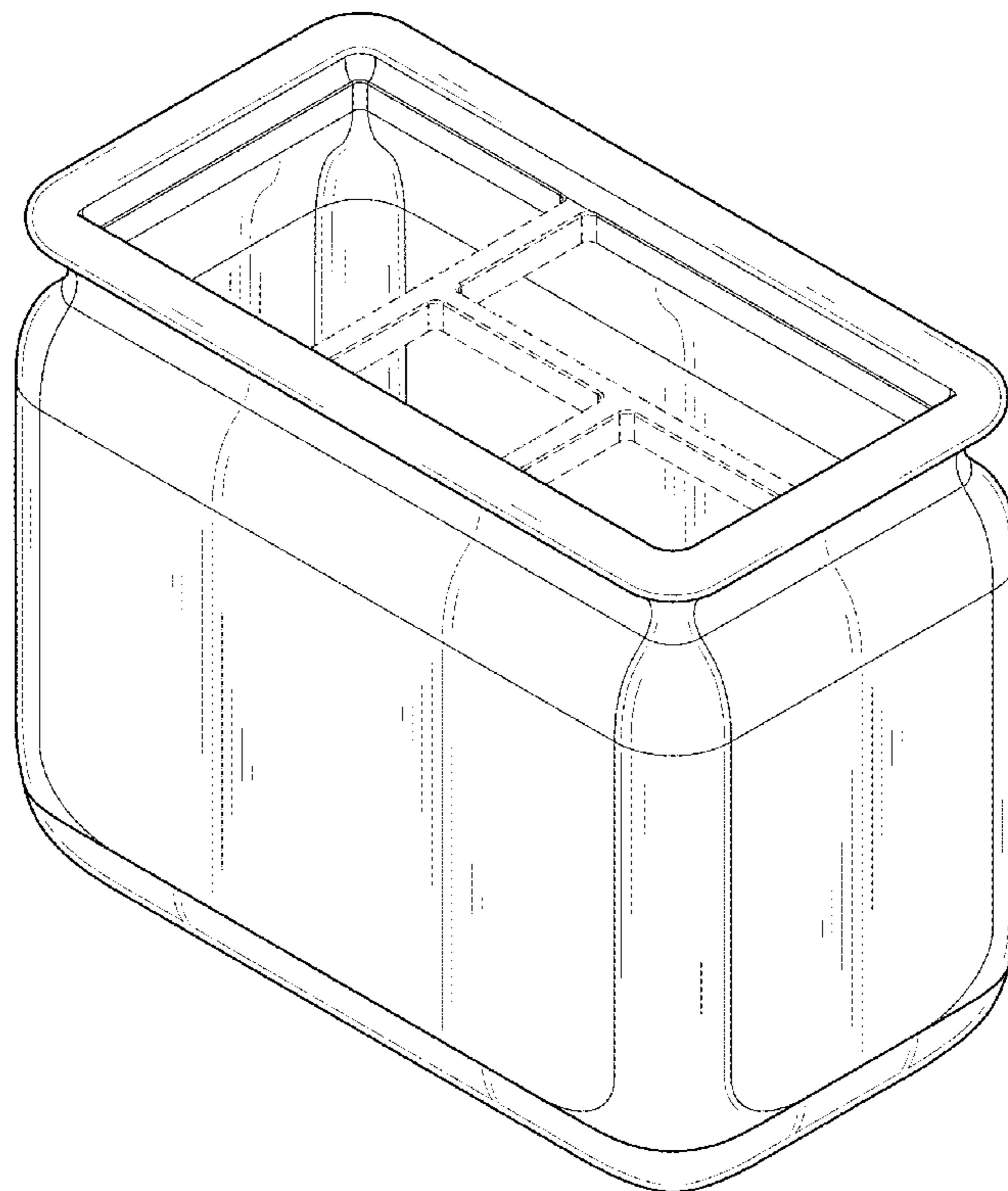
(56) **References Cited**

**U.S. PATENT DOCUMENTS**

The broken lines shown in the figures represent portions of the holder for toothbrushes and toothpaste that form no part of the claimed design.

D625,942 S \* 10/2010 Yang ..... D6/528

**1 Claim, 8 Drawing Sheets**



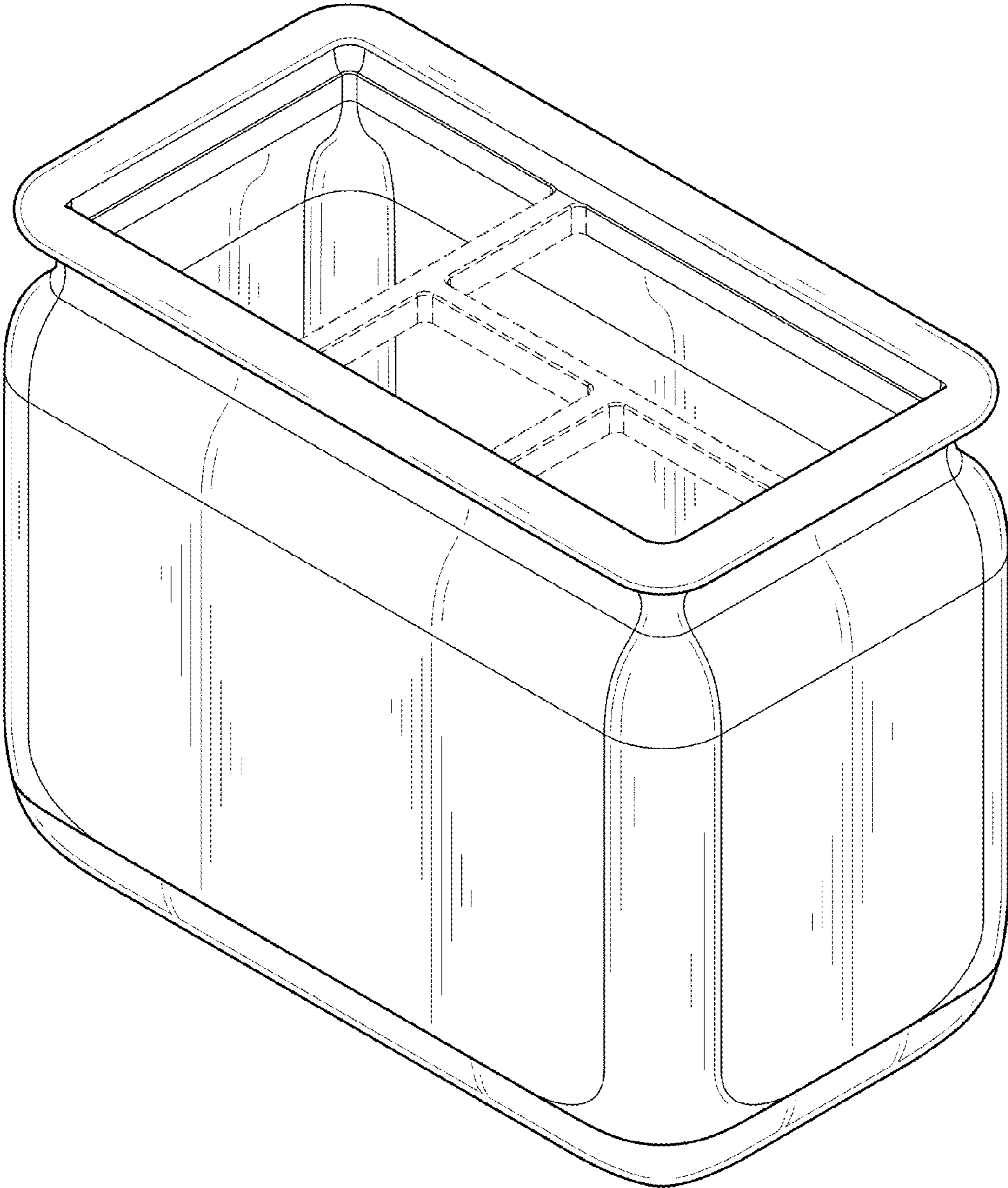


FIG. 1

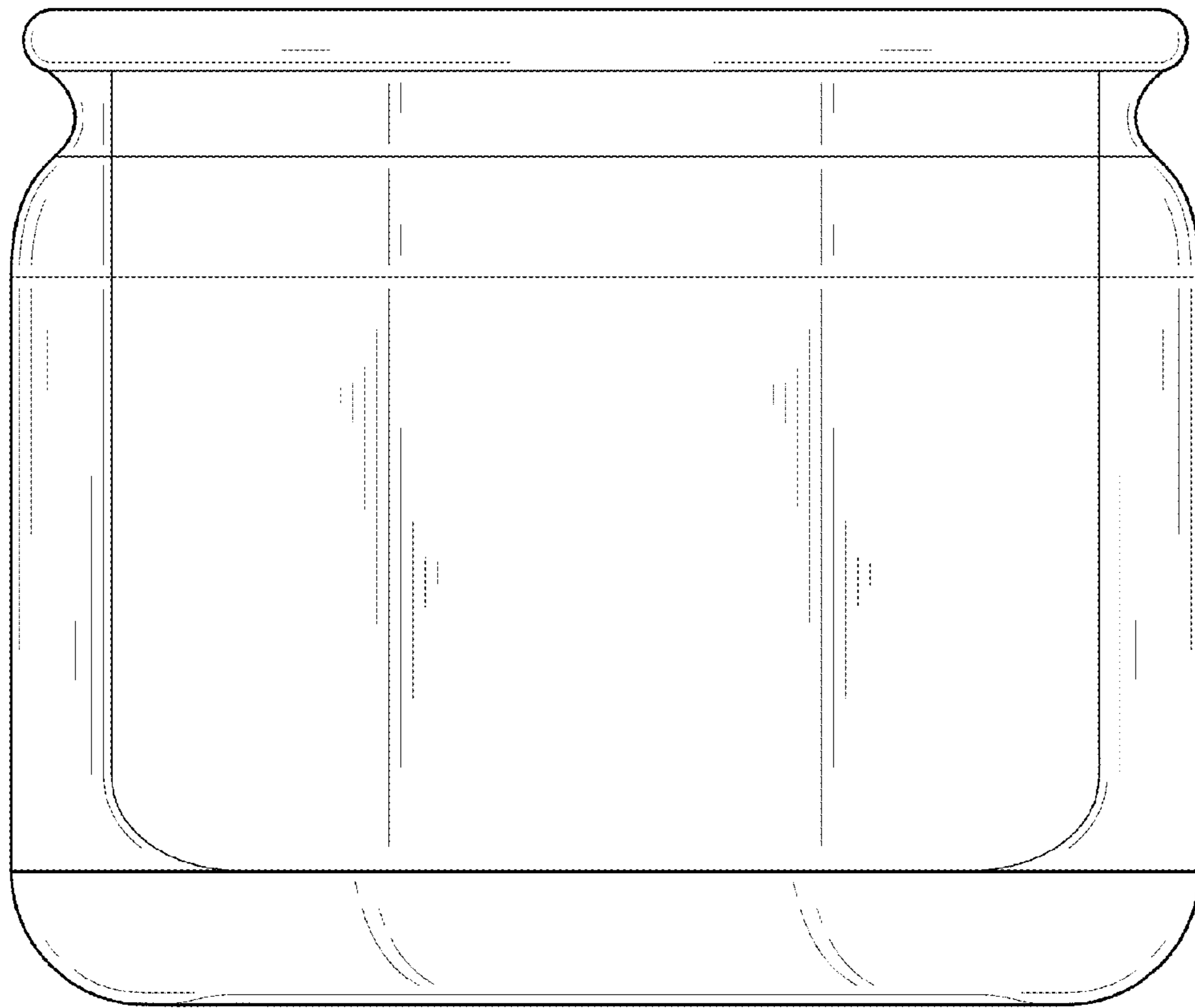


FIG. 2

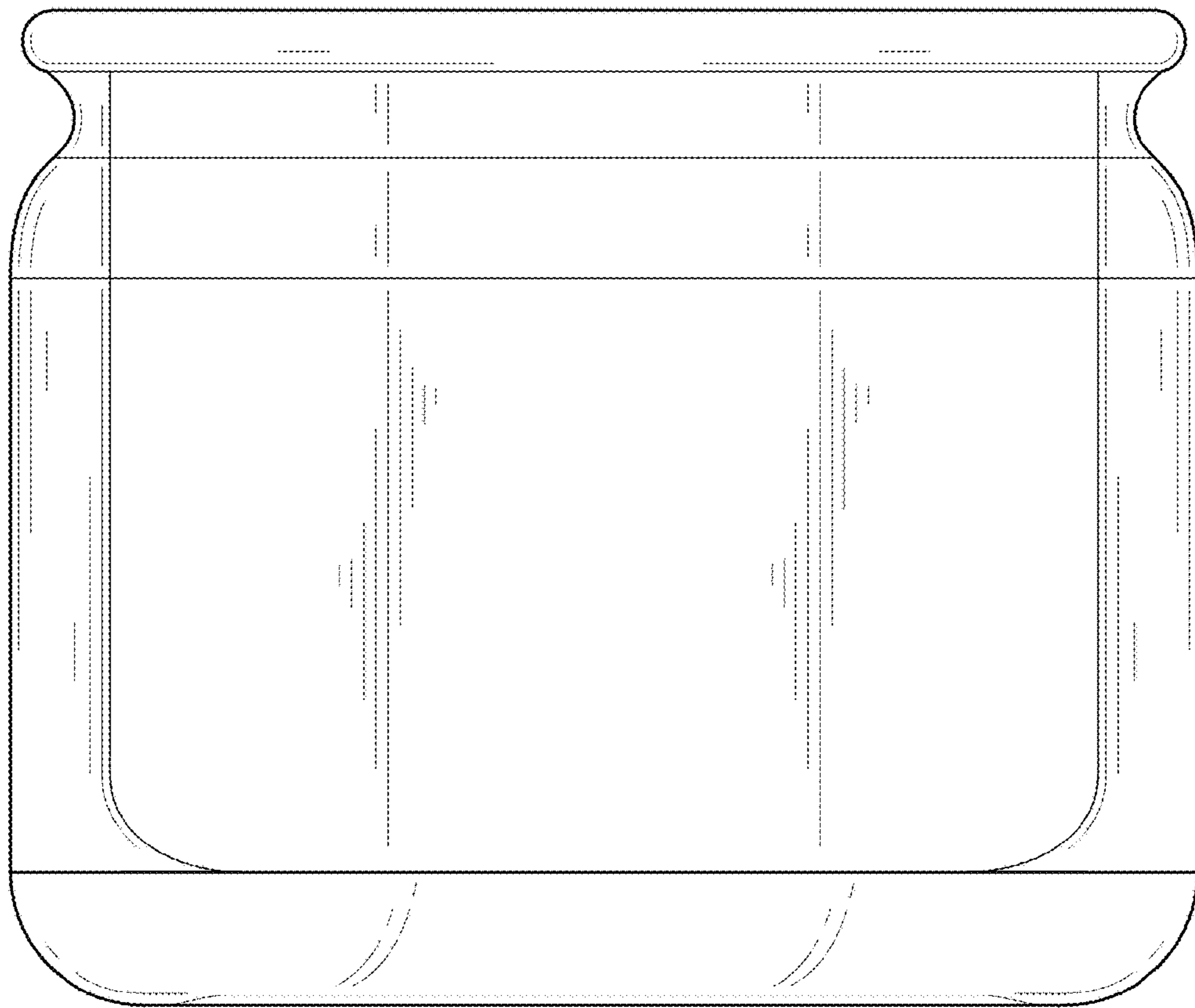


FIG. 3

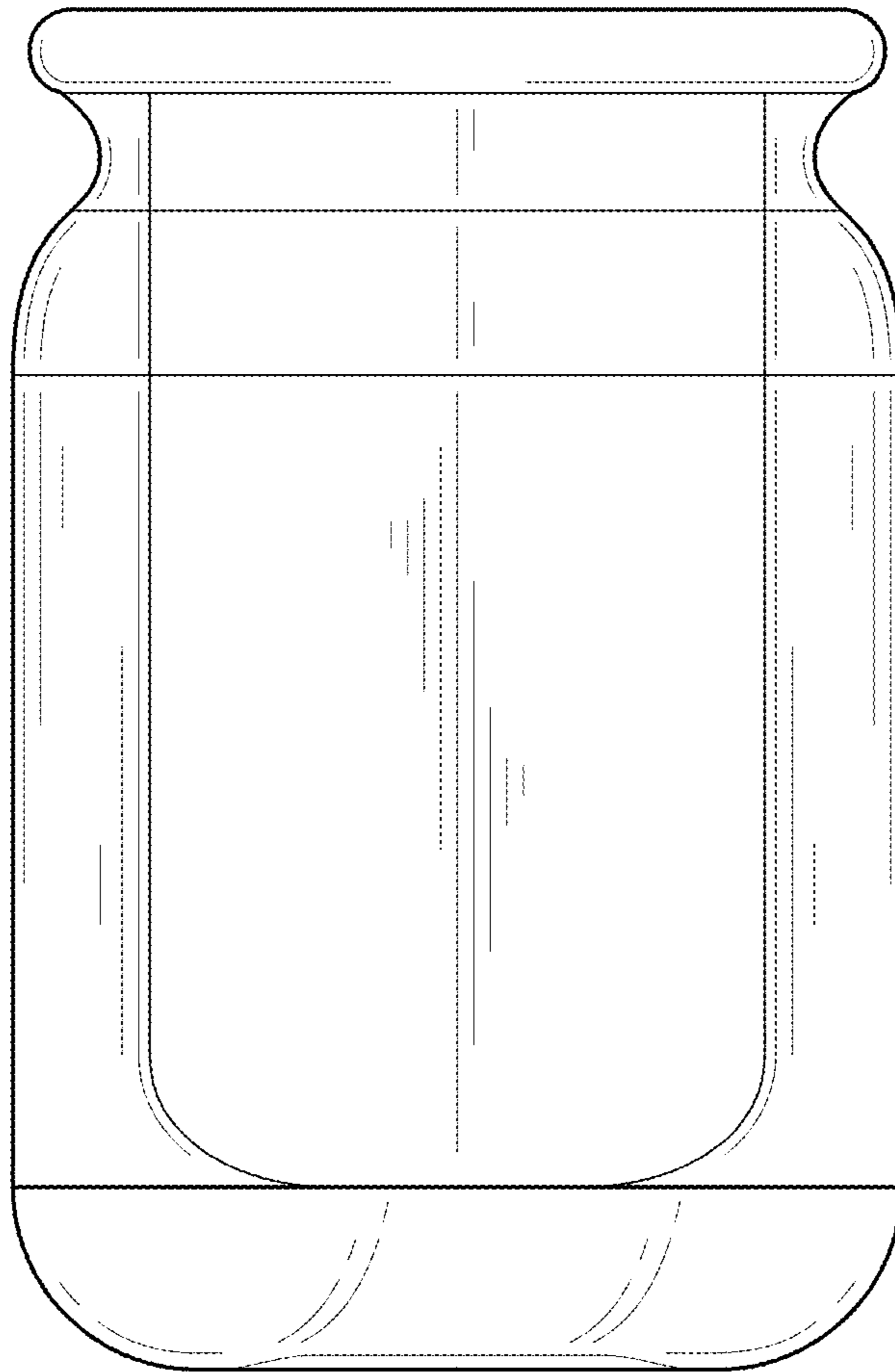


FIG. 4

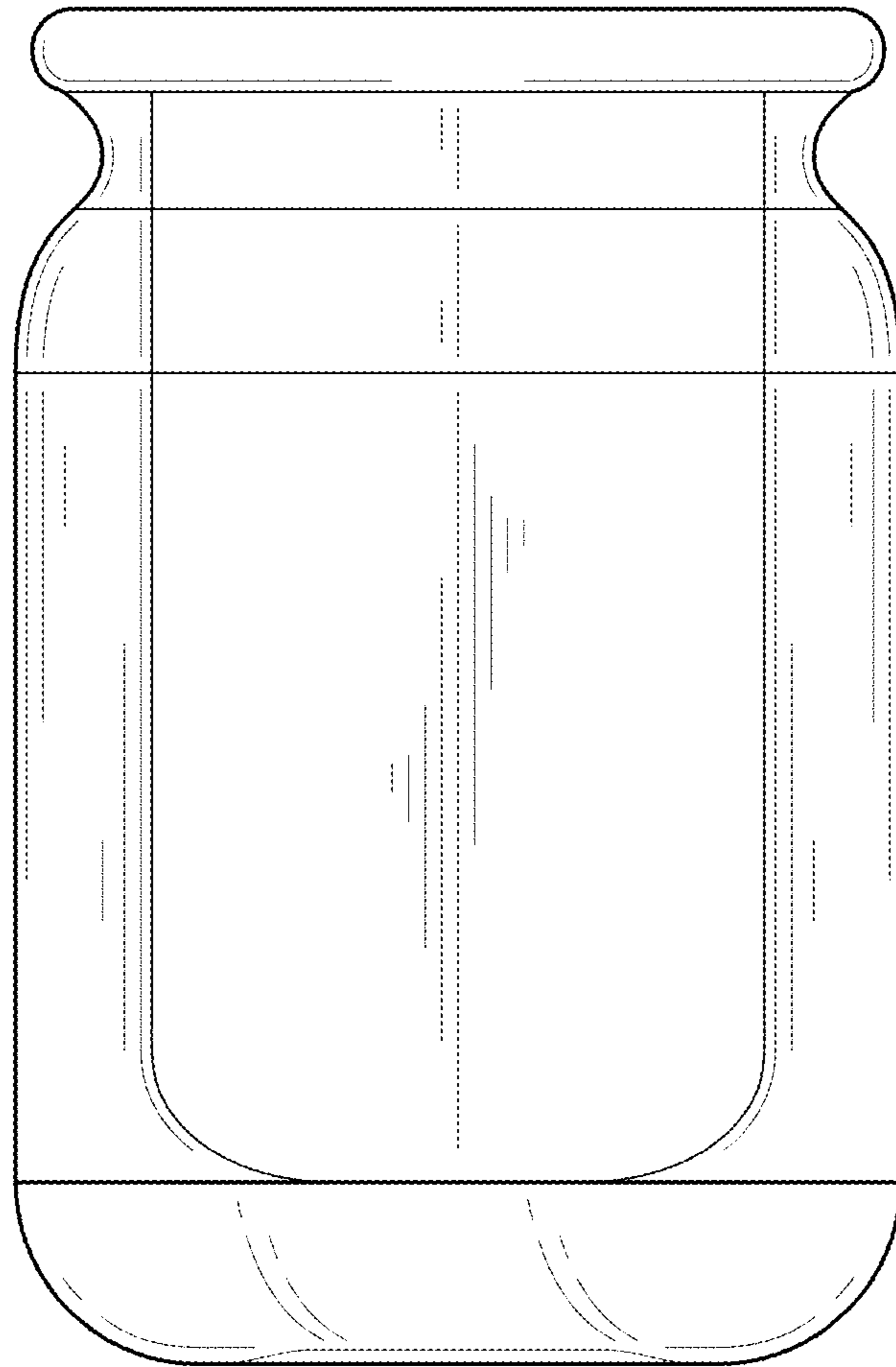


FIG . 5

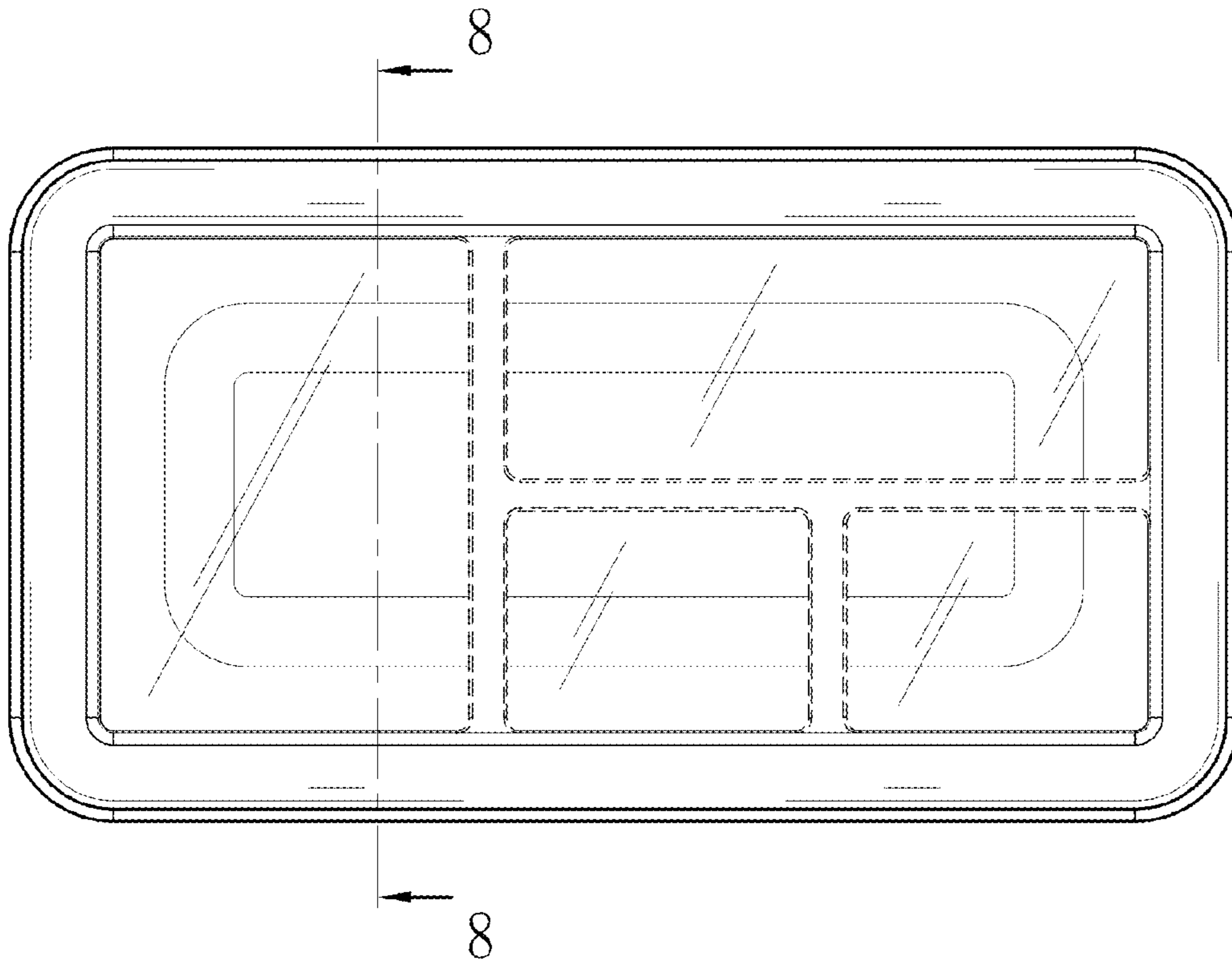


FIG. 6

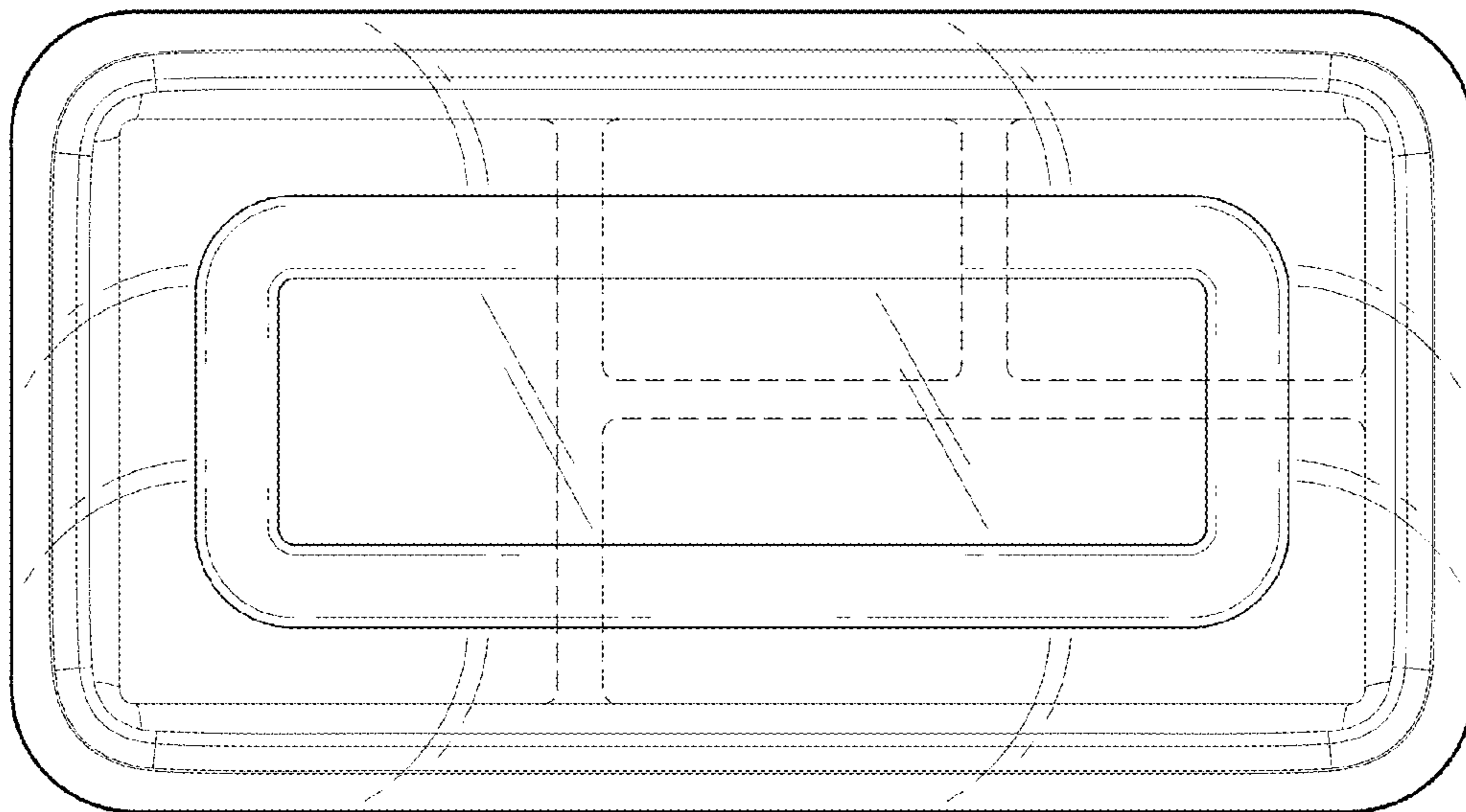


FIG. 7



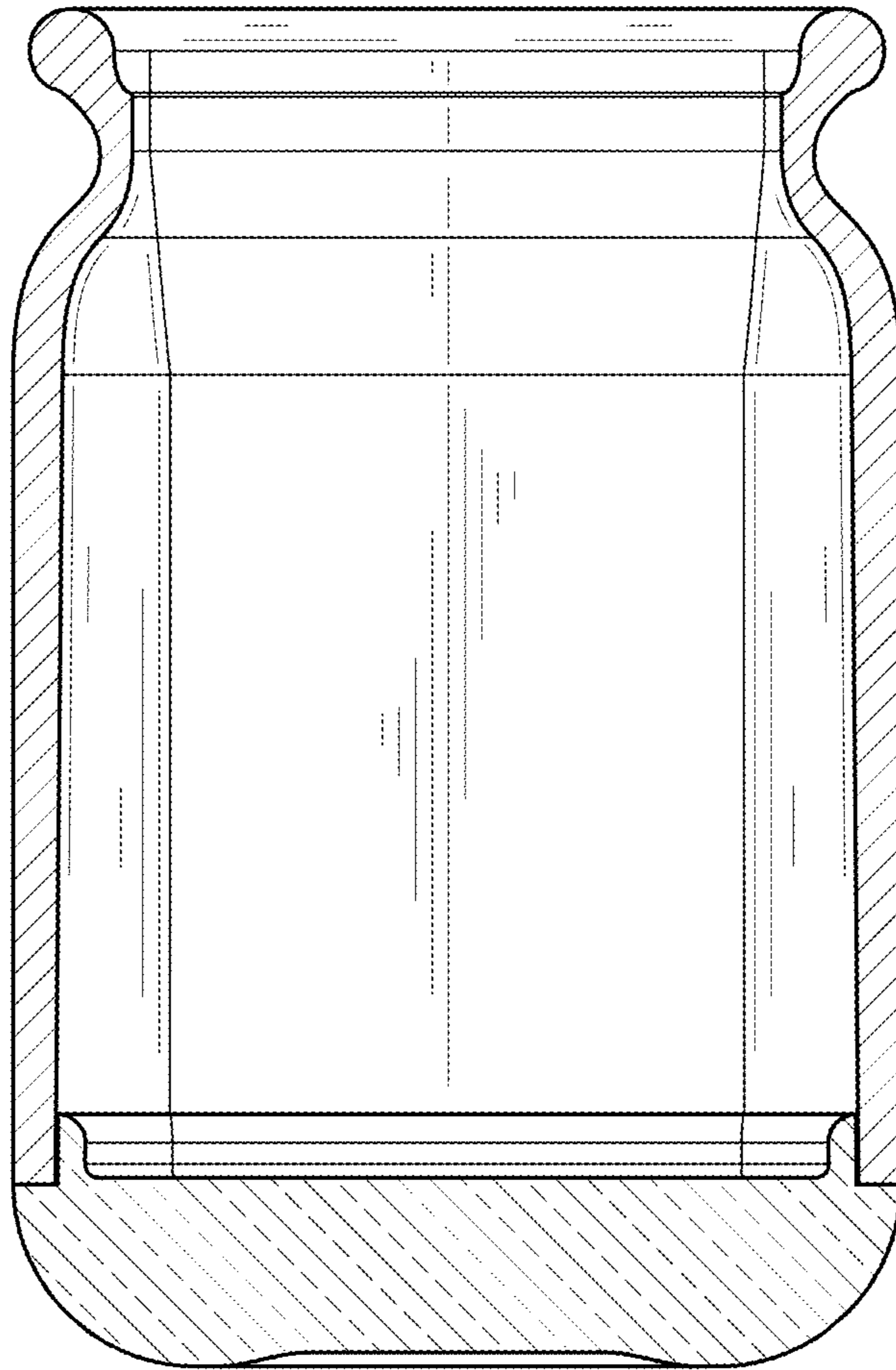


FIG. 8