



US00D851422S

(12) **United States Design Patent**  
**Joseph**

(10) **Patent No.:** **US D851,422 S**  
(45) **Date of Patent:** **\*\* Jun. 18, 2019**

(54) **TOOTHBRUSH HOLDER**

(71) Applicant: **Rony Koshy Joseph**, West Lafayette,  
IN (US)

(72) Inventor: **Rony Koshy Joseph**, West Lafayette,  
IN (US)

(\*\*) Term: **15 Years**

(21) Appl. No.: **29/625,359**

(22) Filed: **Nov. 9, 2017**

(51) **LOC (11) Cl.** ..... **07-05**

(52) **U.S. Cl.**  
USPC ..... **D6/534**

(58) **Field of Classification Search**  
USPC ..... D6/534, 510, 524, 525, 553, 566,  
D6/536-537, 540, 567, 528; D3/304,  
D3/306; D30/133; 141/100; D32/55  
CPC ..... A47J 47/16; A47J 47/20; A47K 10/04;  
A47K 1/08; A47K 1/09; A47L 19/02;  
A47L 17/02; E03C 1/186  
See application file for complete search history.

(56) **References Cited**

**U.S. PATENT DOCUMENTS**

D326,383 S \* 5/1992 Tapocik ..... D4/113  
D511,919 S \* 11/2005 Descoteaux ..... D6/534

D628,418 S \* 12/2010 Camacho-Pantoja ..... D6/534  
D634,140 S \* 3/2011 Camacho-Pantoja ..... D6/534  
D651,436 S \* 1/2012 Volk ..... D6/534  
D687,246 S \* 8/2013 Rodriguez ..... D6/528

\* cited by examiner

*Primary Examiner* — Wan Laymon  
*Assistant Examiner* — Mark Booker

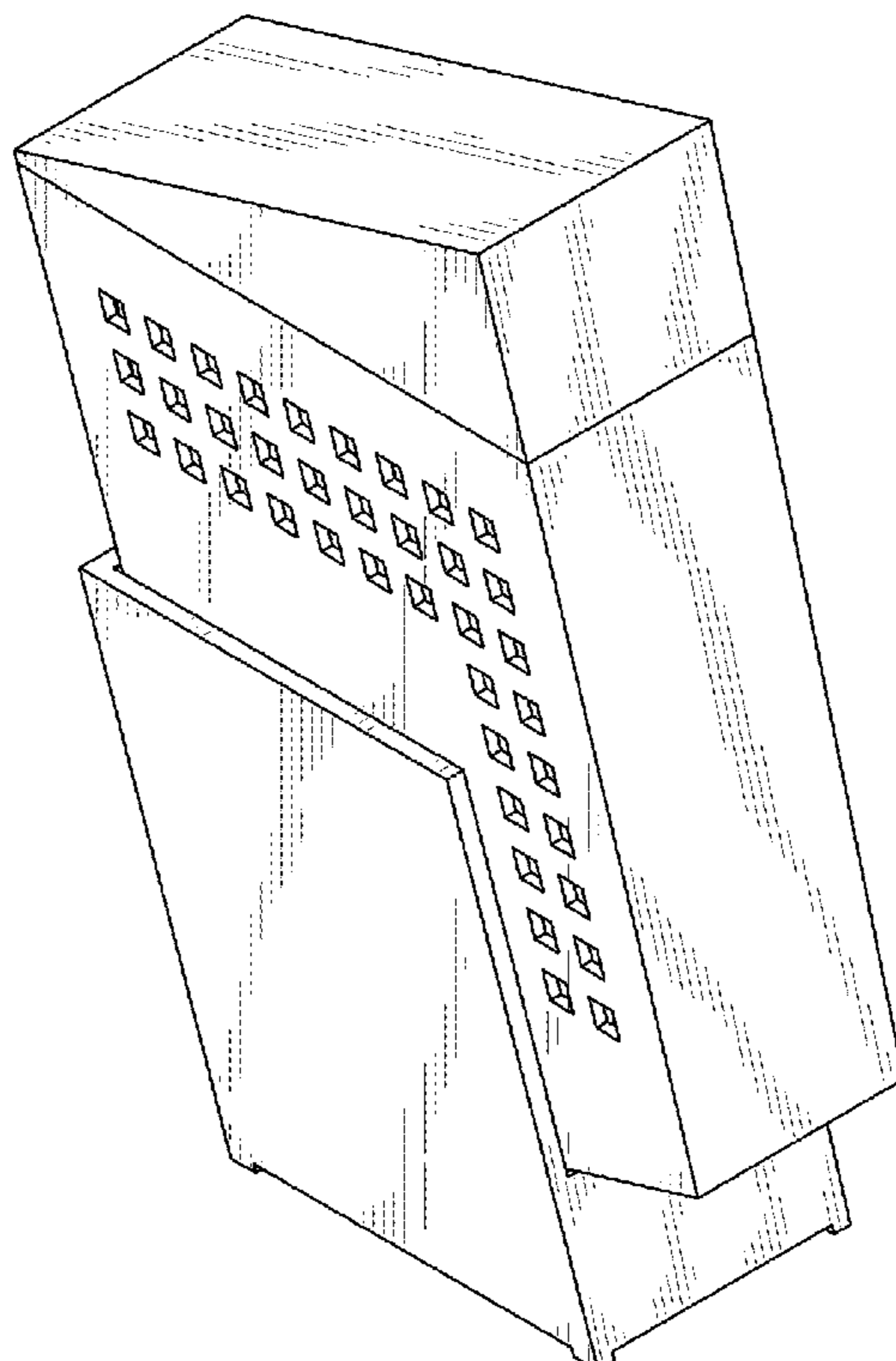
(57) **CLAIM**

The ornamental design for a toothbrush holder, as shown and described.

**DESCRIPTION**

FIG. 1 is a front perspective view of the toothbrush holder showing my new design;  
FIG. 2 is a front elevation view thereof;  
FIG. 3 is a rear elevation view thereof;  
FIG. 4 is a left side elevation view thereof;  
FIG. 5 is a right side elevation view thereof;  
FIG. 6 is a top plan view thereof; and,  
FIG. 7 is a bottom plan view thereof.

**1 Claim, 5 Drawing Sheets**



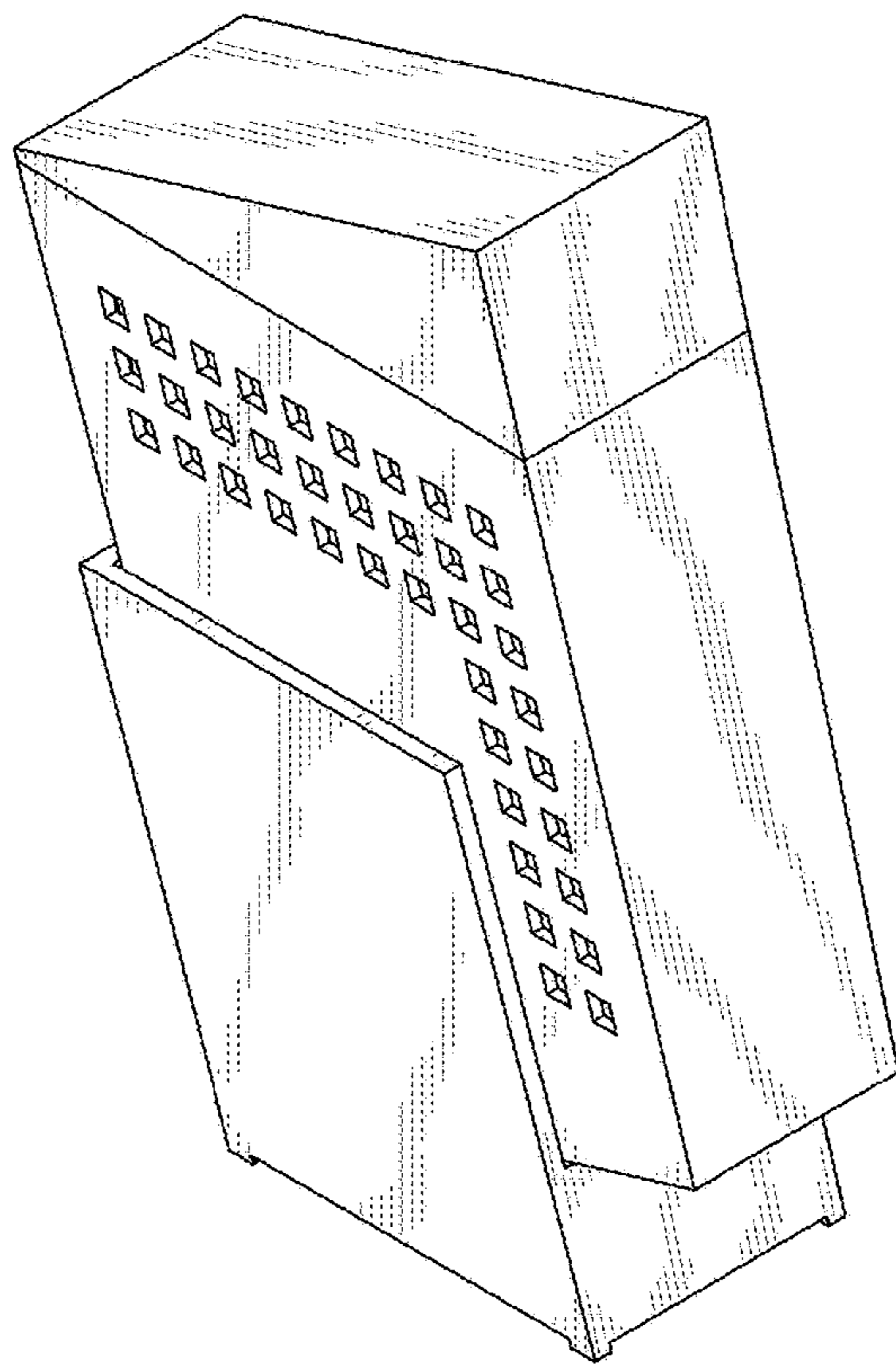


FIG. 1

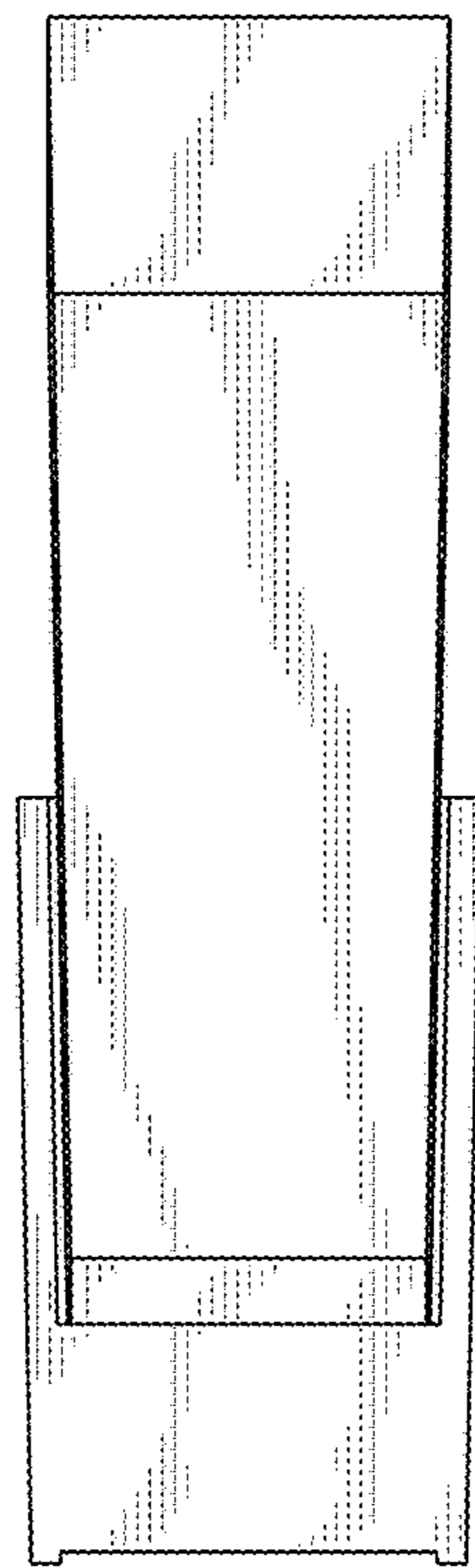


FIG. 2

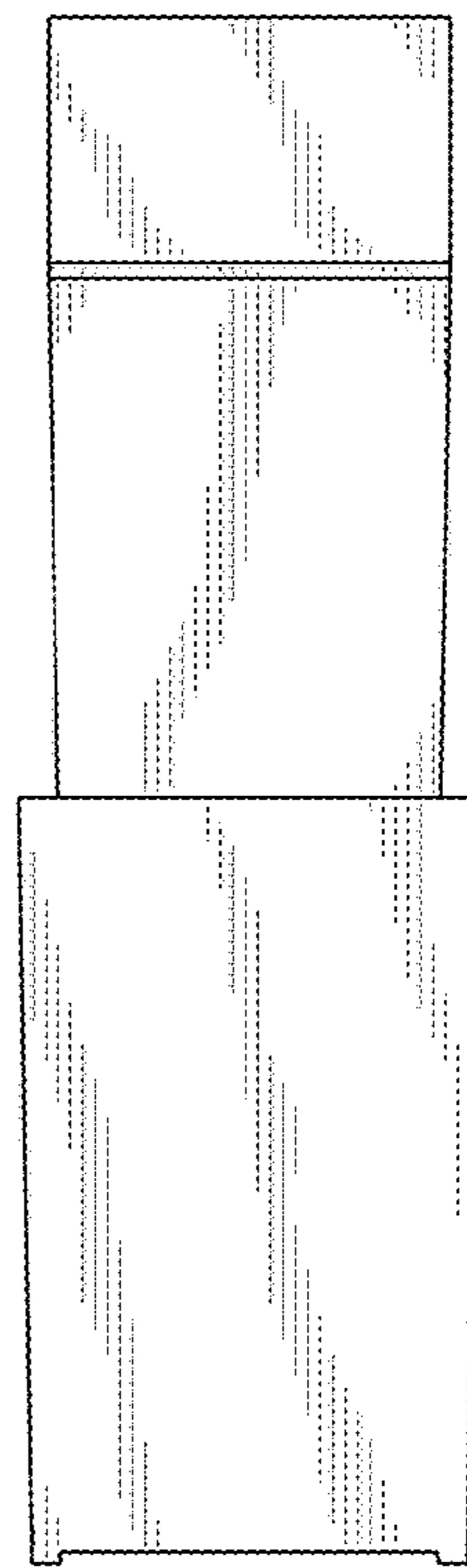


FIG. 3

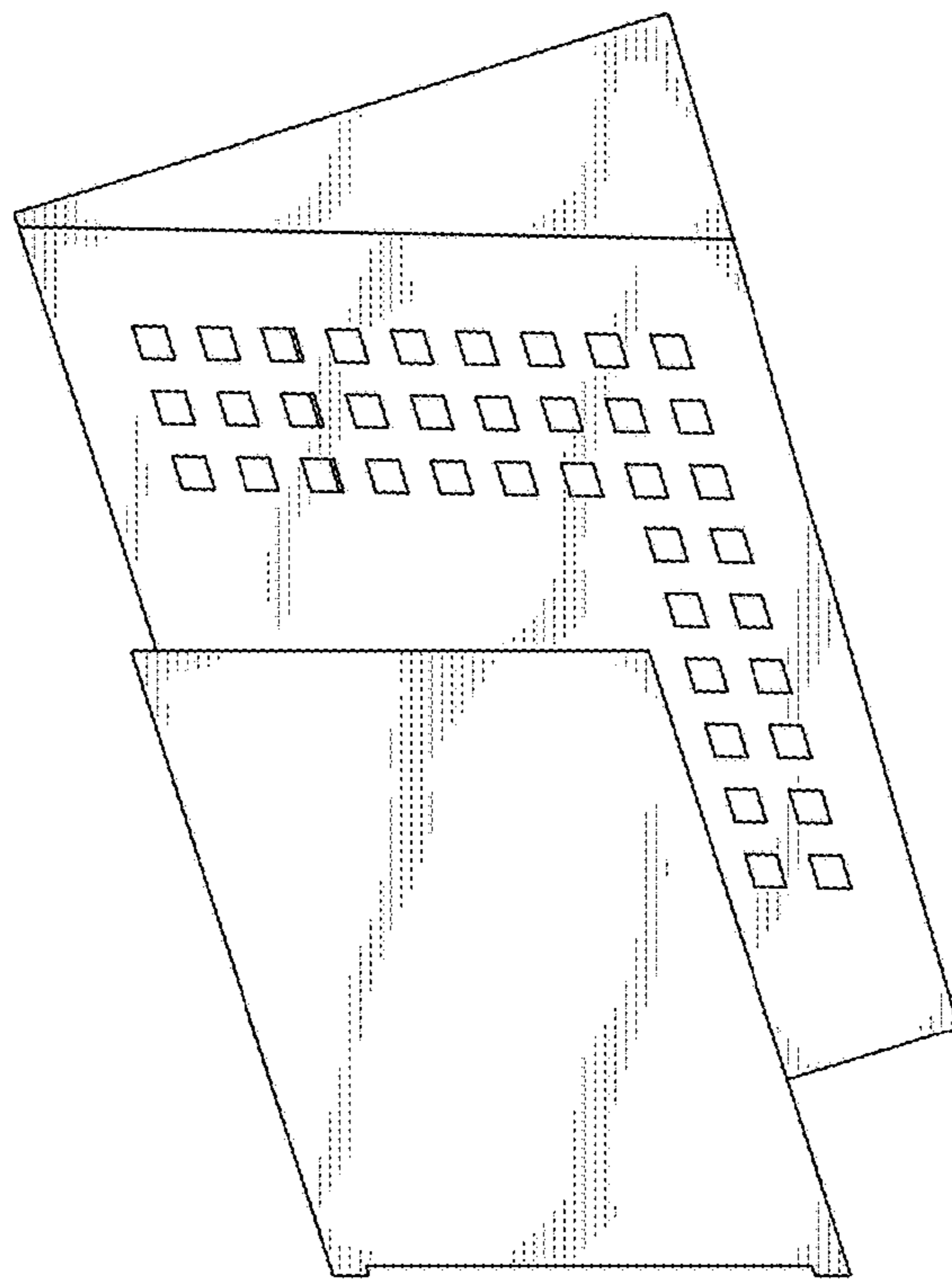


FIG. 4

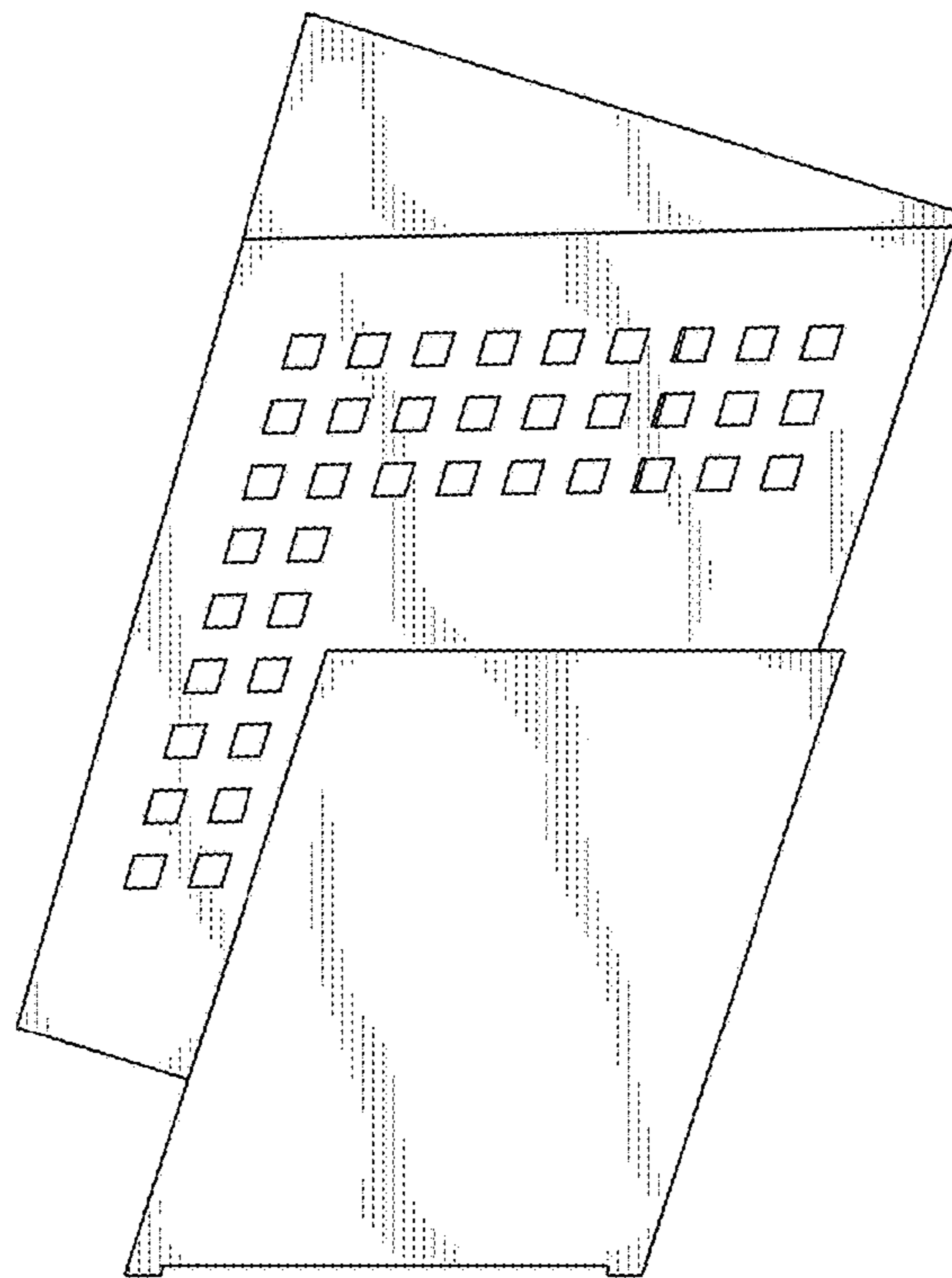


FIG. 5

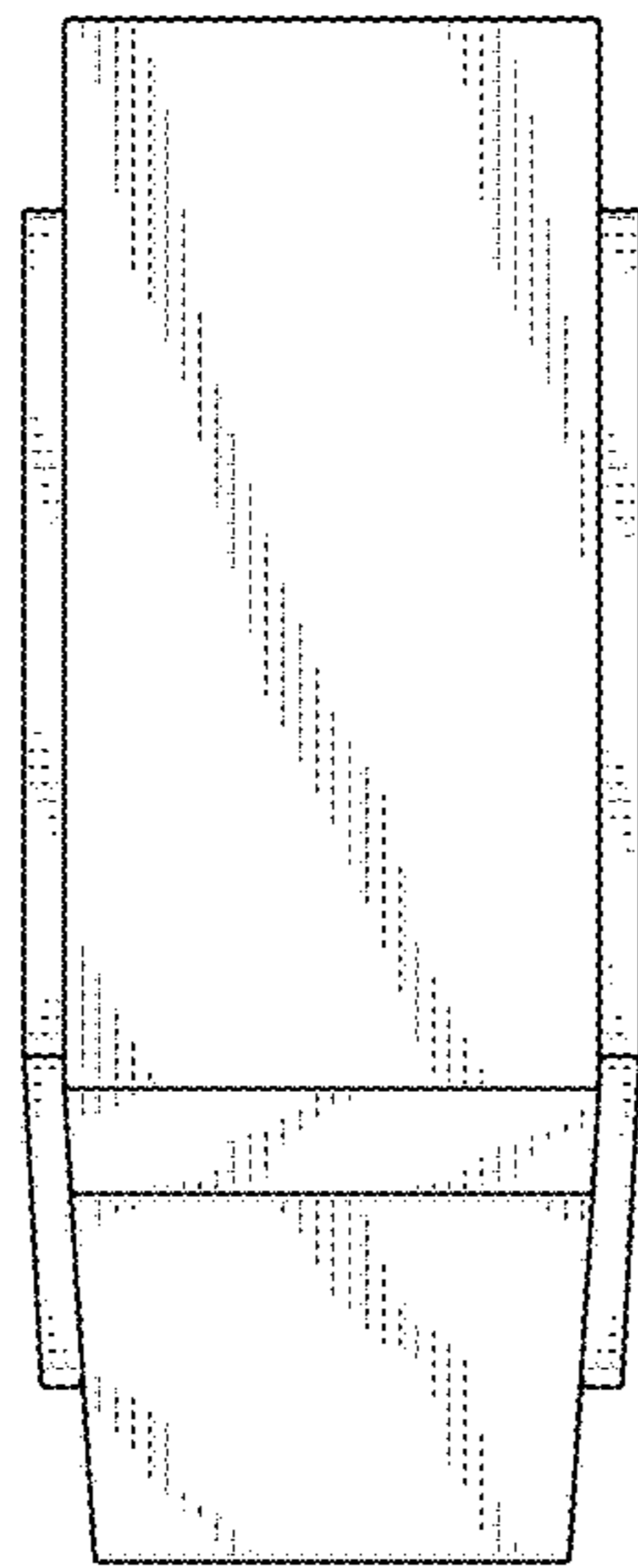


FIG. 6

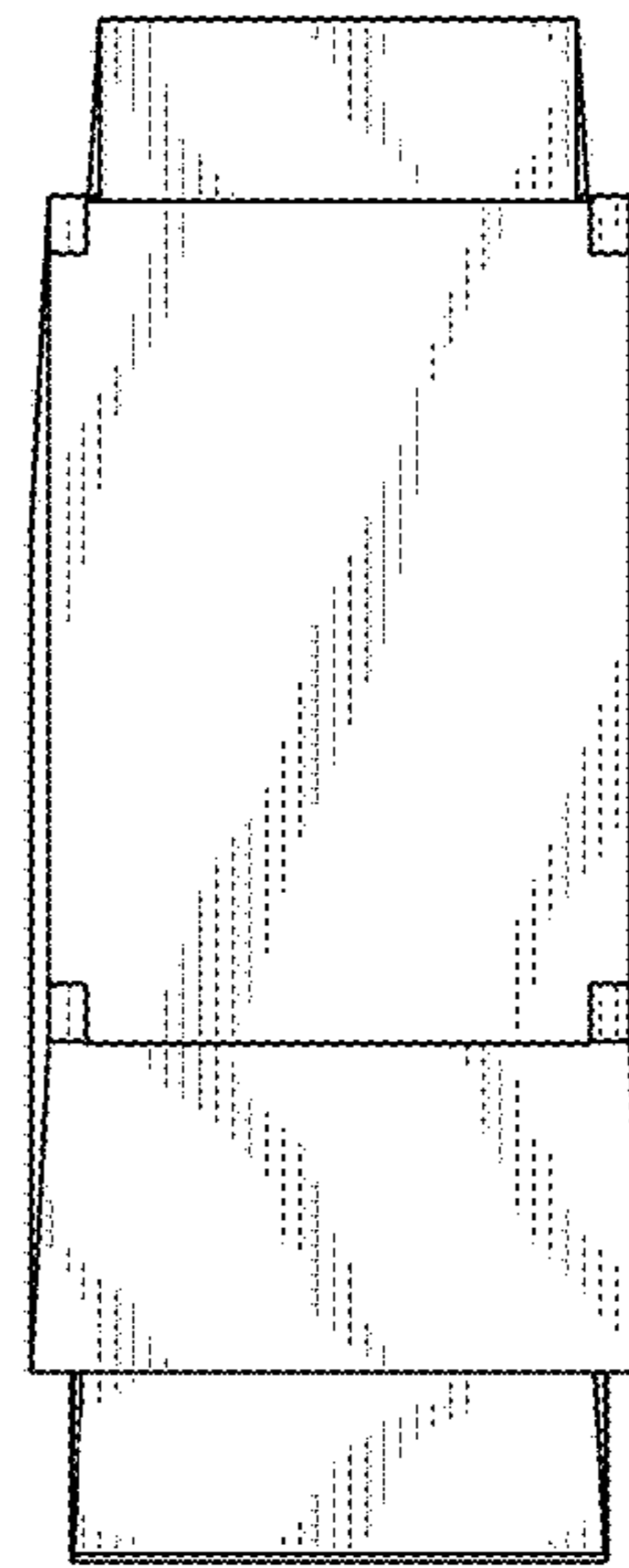


FIG. 7